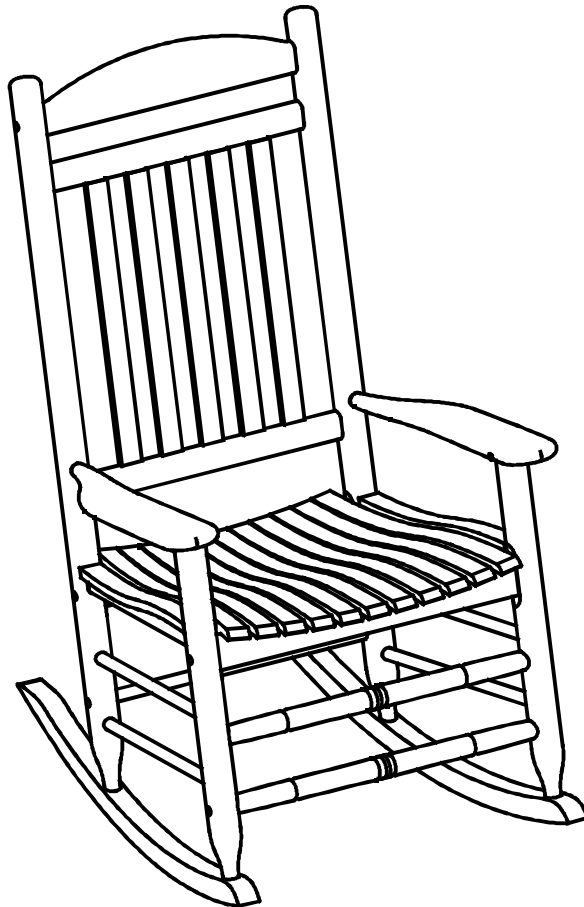




Item # ...
Model: Rocker-01/ Rocker-02

USE AND CARE GUIDE

ROCKING CHAIR



Questions, problems, missing parts? Before returning to the store,
call Hampton Bay Customer Service
8 a.m. - 7 p.m., EST, Monday - Friday, 9 a.m. - 6 p.m., EST, Saturday

1-855-HD-HAMPTON

HAMPTONBAY.COM

Call center for missing parts : 1-888-287-4275
From 9:00 am to 5:00 pm CST (Monday to Friday)

THANK YOU


We appreciate the trust and confidence you have placed in Hampton Bay through the purchase of this chair. We strive to continually create quality products designed to enhance your home. Visit us online to see our full line of products available for your home improvement needs. Thank you for choosing Hampton Bay!

Table of Contents

Table of Contents.....	2	Assembly	5~6
Safety Information.....	2	Maintenance	7
Warranty	2		
Pre-Assembly	3		
Planning.....	3		
Tools Required.....	3		
Hardware Included.....	3		
Package Contents	4		

Important Safety Instructions

SAVE THESE INSTRUCTIONS

 **WARNING:** Do not use the chair before all the bolts are fully tightened. If the bolts are not fully tightened, the chair section can become loose and may cause the chair to collapse which may result in injury or damage.

 **CAUTION:** When not in use, secure the product in a cool and covered location.

READ ALL INSTRUCTIONS BEFORE USE

To reduce the risk of injury to persons:

1. For your safety, assembly by two or more adults is strongly recommended.
2. Use only vendor-supplied hardware to assemble this item. Using unauthorized hardware could jeopardize the structural integrity of the item.
3. Close supervision is necessary when this furnishing is used by or near children, or disabled persons, if applicable.
4. Use this furnishing only for its intended use as described in these instructions. Do not use attachments not recommended by the manufacturer.
5. Do not move the rocking chair while it is occupied. Failure to obey this caution could result in injury.
6. Hardware may loosen overtime. Periodically check that all connections are tight.

Warranty

The furniture is warranted to be free from defects in material and workmanship of the original product when purchased from one of our authorized dealers. If a product fails and is under the terms of our limited warranty, the item will be replaced, usually for a small fee. In the case of discontinued models, an item of similar quality and style will be offered to the customer.

1 Year Limited Frame Warranty

Frames are warranted to be free from defects in material and workmanship. Fading or discoloring caused by putting the product under sunlight or rain is not covered by this limited warranty. Damage to the frame due to improper assembly or exposure to water and sub-freezing temperatures is not covered. Do NOT allow water to accumulate inside the frame.

Finish

The finish is warranted against peeling, cracking, or blistering for a period of 1 year, provided the unit has not been scratched or abraded. Scratches and chips resulting from normal wear and use are not covered. Peeling resulting from exposure to elements is not covered.

Warranty Exclusions: Furniture used for commercial, contractor or any non-residential purposes, clearance items, display models or items purchased "as is", freight damage, furniture damaged by acts of nature, vandalism, fire, abuse, lack of proper care and maintenance, or improper assembly, straps and fabric against fading or discoloration from exposure to elements, oil spills, fluids or chemicals; glass against breakage; hardware against corrosion or rusting; buckling or splitting of tubing resulting from exposure to water and freezing temperatures.

Also Excluded: Loss of use or time, inconvenience, money, travel, packaging or any other consequential or incidental damages. In no event shall the manufacturer's responsibility exceed the value of the replacement product.

Warranty is to the original purchaser when items are purchased from one of our authorized retailers and is not transferable. All warranty claims must be submitted with a dated register receipt within the warranty period. Should replacement of the warranty item be unavailable, the manufacturer reserves the right to substitute items of our choice that are of similar style and quality. For quality control purposes and verification, we reserve the right to request photography of the damaged item(s). The terms of this warranty are subject to change without notice.

Contact the Customer Service Team at 1-855-HD-HAMPTON or visit [www. Hamptonbay.com](http://www.Hamptonbay.com).

Pre-Assembly

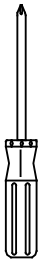
PLANNING INSTALLATION

Assemble your unit in an area free from any objects that might scratch the surface of your unit. Examine all packing material before discarding as shortages may occur from parts left in the packing material. Please read the instructions carefully, and verify all parts are included. All bolts need to be tightened from time to time to avoid damage.

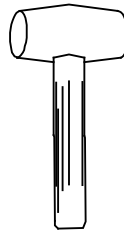


NOTE: Tools not shown to actual size.

TOOLS REQUIRED (NOT INCLUDED)



Phillips screwdriver,
for tightening all bolts.

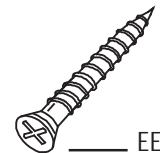
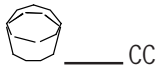
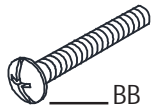
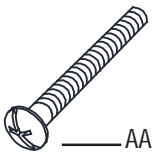


Rubber mallet,
for tapping in the wooden caps.

HARDWARE INCLUDED



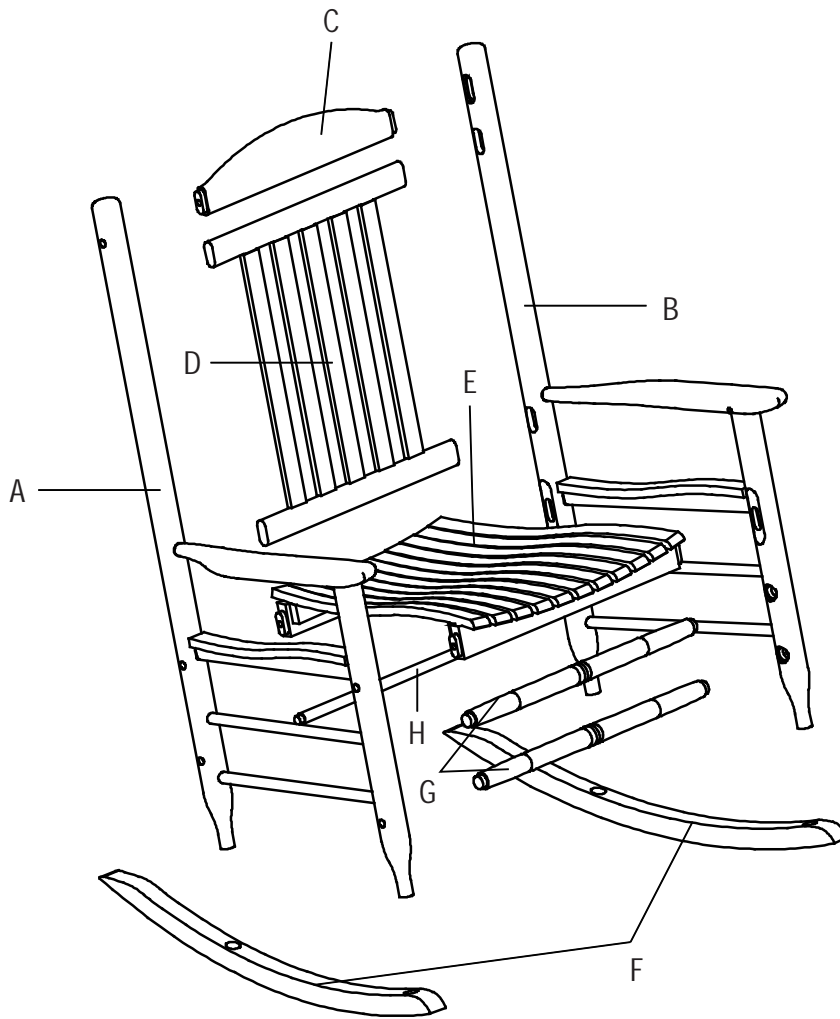
NOTE: Hardware not shown to actual size.



Part	Description	Quantity
AA	1-3/4 in. Bolt	4+1
BB	1-1/2 in. Bolt	2+1
CC	Wooden Cap	10+1
DD	1-1/2 in. Screw	4+1
EE	1-1/4 in. Screw	4+1
FF	Glue	1

Pre-Assembly (continued)

PACKAGE CONTENTS

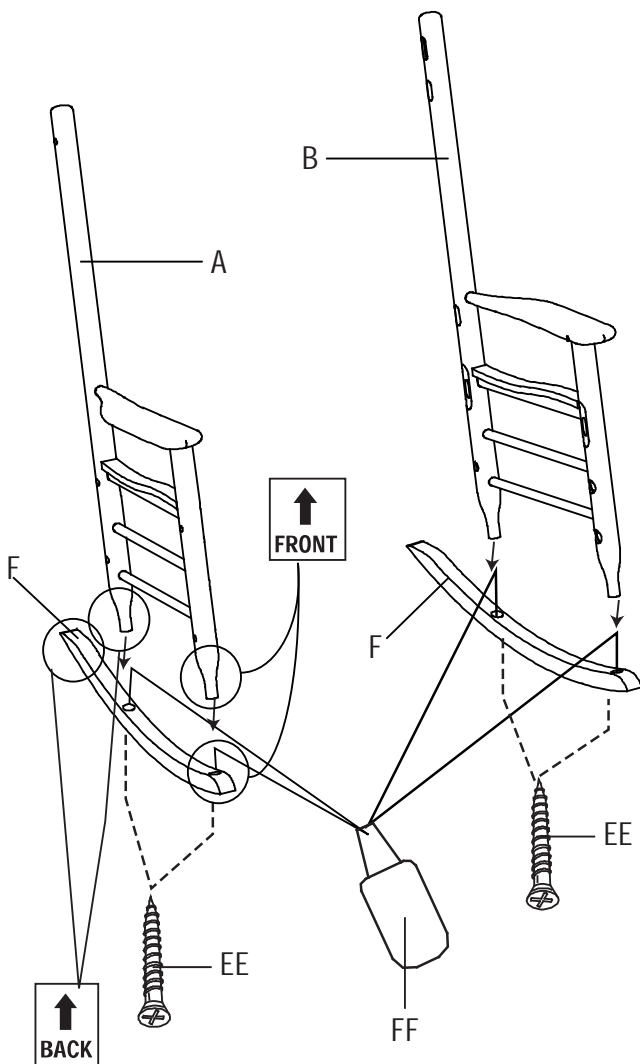


Part	Description	Quantity
A	Right side frame	1
B	Left side frame	1
C	Head rest	1
D	Back rest	1
E	Seat	1
F	Rocker runners	2
G	Front spindles	2
H	Back spindle	1

Assembly

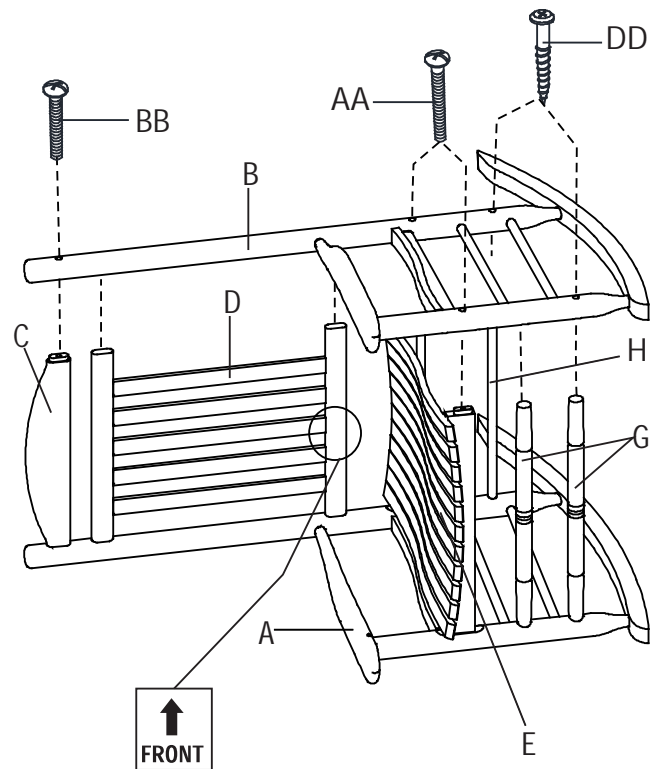
1 Connecting the side frame to the rocker runners

- Pour a small amount of glue (FF) into the holes on the rocker runners (F).
- Attach each rocker runner (F) to right and left side frame (A&B) as shown. Connect the front of the rocker runner (F) to the front legs and the back of the rocker runner (F) to the back legs. Secure connections with 1-1/4 in. screws (EE), using a screwdriver (position as shown).



2 Connecting the side frame to the back rest, head rest, seat and spindles

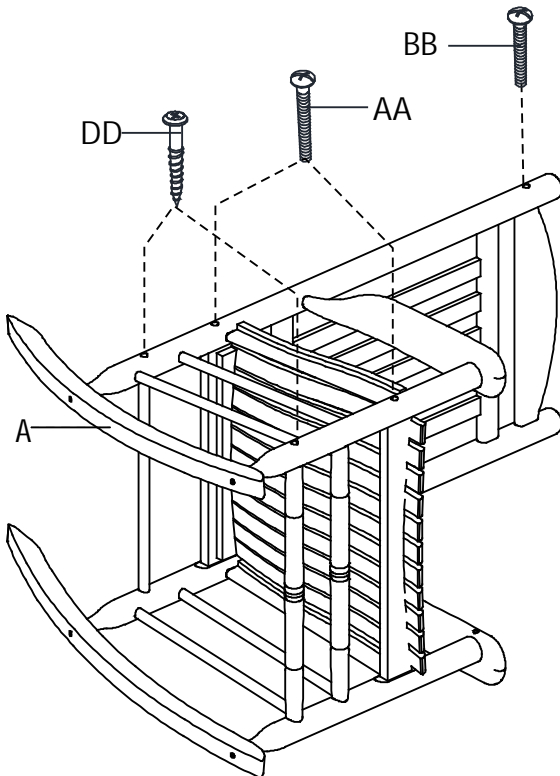
- Install the head rest (C), back rest (D), seat (E) and spindles (G&H) into the corresponding holes of the right side frame (A).
- Attach the left side frame (B) onto the head rest (C), back rest (D), seat (E) and spindles (G&H). Secure the left side frame (B) using a 1-1/2 in. bolt (BB), 1-3/4 in. bolts (AA), and 1-1/2 in. screws (DD), as shown.



Assembly (continued)


3 Inserting the bolts and screws to the right side frame

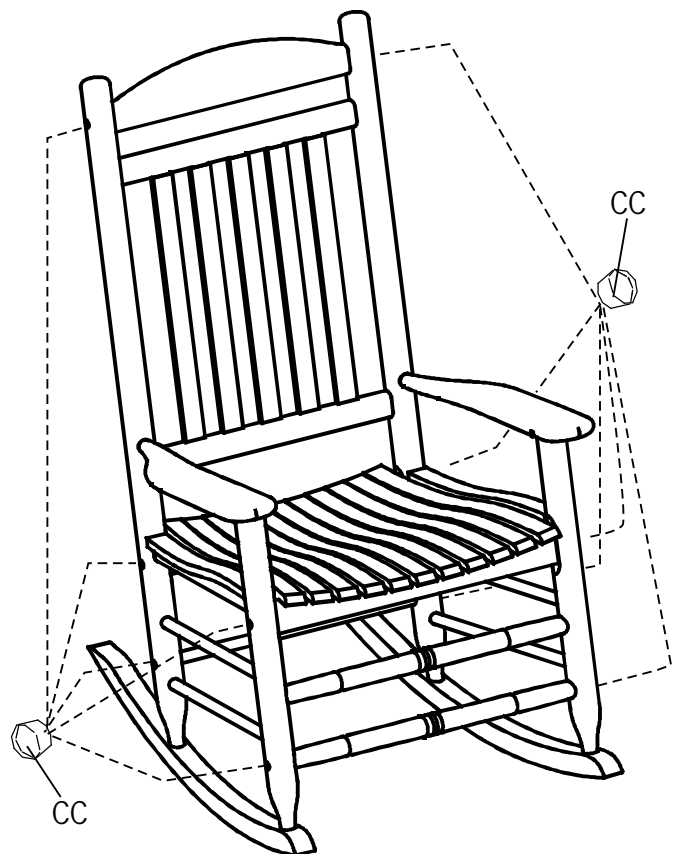
- Invert the chair and repeat step 2 to secure the frame.



4 Inserting the wooden caps to the chair

- Upright the chair.
- Make sure all parts are connected and tighten all bolts completely using a screwdriver. Tap in the wooden caps (CC) to cover the bolt heads using a rubber mallet.
- Please allow 8 hours for glue to dry before using this rocker.

 **WARNING:** Do not use the rocking chair before all the bolts are fully tightened. If the bolts are not fully tightened, the chair section can become loose and may cause the chair to collapse which may result in injury or damage.



Maintenance

Wood is a living material that continues to respond to climate condition even after being made into a piece of furniture.

After assembly rub the furniture with a soft rag to remove any residual dust. Wood is a natural material whose appearance will change when left outdoors. This product has been treated prior to leaving the factory. To clean, use mild soap and warm water. Do not use abrasive material, cleansers or bleach products. Dry thoroughly with a soft cloth.

Even though this piece of furniture is extremely durable and long lasting, to prolong life we recommend bringing it indoors during freezing temperatures. Place it at a shaded area and do not leave it in standing water or on wet ground.

Do not put hot items directly on furniture surface.

Do not store furniture in areas that have central heating or cooling vents to prevent excessive drying of the wood. This will decrease the furniture's longevity.

Do not write on furniture without a padded barrier to protect the surface.

In order to maintain the product's durability, please read carefully.

Cover your furniture during winter months or move into covered storage, if in wet climates.

The manufacturer supports protection of the world's forest resources and is diligent in sourcing legally harvested wood.

Thank you

The manufacturer

HAMPTON BAY[®]

Questions, problems, missing parts? Before returning to the store,
call Hampton Bay Customer Service
8 a.m. – 7 p.m., EST, Monday – Friday, 9 a.m. – 6 p.m., EST, Saturday

1-855-HD-HAMPTON

HAMPTONBAY.COM

Retain this manual for future use.