



LSCG307ST / LSCG367ST LSCG307BD / LSCG367BD

30" and 36" Gas Cooktops

Integrated, Pro-Style Design

Dual Stacked UltraHeat™ 19,000 BTU Center Burner

(900 BTU Simmer)

3 Heavy-Duty Continuous Cast Iron Grates (Dishwasher Safe)

Red LED Backlit Metal Knobs

2 Year Limited Warranty



GENERAL FEATURES	
Width	30" / 36"
Installation Type	Built In
Color Availability	STS
Cooktop	Front Knob Control
Layout	Intuitive split
Griddle Plate	Yes
Lighting	Red LED Backlit Metal Knobs
OVEN	
Material	Stainless Steel
Top Plate	STS 304 #4 Hair lined
No. of Burners	5
Burner type	Sealed
Fuel Type	LNG / LPG
Grates	Continuous, Dishwasher Safe
No. of Grates	3
Valves	Push & Turn
-Knobs/Material	Silver plating, Hair lined
BTU/h (LNG/LPG)	
-Right Front	12,000 / 9,500
-Left Front	9,100 / 9,100
-Left Rear	9,100 / 9,100
-Center	19,000 / 15,000
-Right Rear	5,000 / 5,000
Simmer BTU/h (LNG & LPG)	
-Right Front	2,200
-Left Front	1,600
-Left Rear	1,600
-Center	900
-Right Rear	1,300

DIMENSIONS	30"	36"
Width	30"	36"
Height	3 3/4"	3 3/4"
Depth	21 11/16"	21 11/16"
Width Cutout	28 1/2"	33 15/16"
Depth Cutout	19 11/16"	19 11/16"
Height Package	10 1/2"	10 1/2"
Depth Package	25 31/32"	25 31/32"
Width Package	34 9/16"	40"
Minimum Spacing to Back Wall	2 3/4"	2 3/4"
Minimum Spacing to Left Wall	11"	11"
Minimum Spacing to Right Wall	11"	11"
Minimum Front Countertop Clearance	1 5/8"	1 5/8"
Net Weight (lbs)	44.53lbs	50.05lbs
Gross Weight (lbs)	53.57lbs	61.29lbs
POWER		
Rating	120V 60 Hz / 0.3A	
Electric supply	120 V / 60Hz AC	
ACCESSORIES		
Griddle Plate	1	
WARRANTY		
Limited Warranty	2 Years Parts and Labor	
UPC		
LSCG307ST	048232333237	
LSCG367ST	048232333220	
LSCG307BD	048231340434	
LSCG367BD	048231340427	

LSCG307ST / LSCG367ST LSCG307BD / LSCG367BD

30" and 36" Gas Cooktops



QUICK INSTALL & CLEARANCES

For full installation directions/clearances please refer to the corresponding User Manual and Installation Guide.

30" Gas Cooktop

DIMENSIONS

Depth	21-11/16"
Height	3-3/4"
Width	30"
Cutout Width	28-1/2"
Cutout Depth	19-11/16"
Minimum Spacing	2-3/4" (Back), 11" (Left), 11" (Right), 1-5/8" (Front)

POWER SOURCE

Rating	120V 60 Hz / 0.3A
Electric supply	120 V / 60Hz AC

36" Gas Cooktop

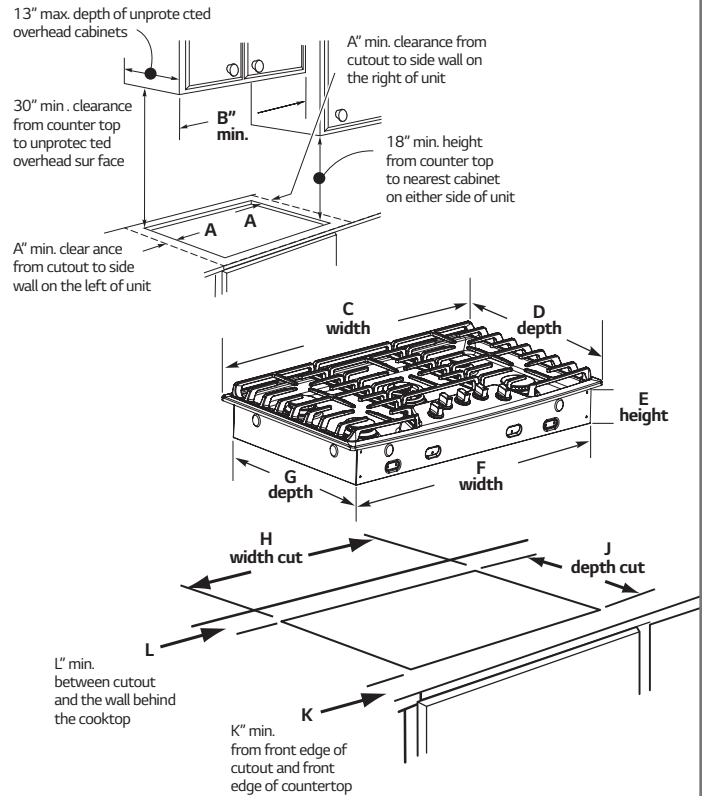
DIMENSIONS

Depth	21-11/16"
Height	3-3/4"
Width	36"
Cutout Width	33-15/16"
Cutout Depth	19-11/16"
Minimum Spacing	2-3/4" (Back), 11" (Left), 11" (Right), 1-5/8" (Front)

POWER

Rating	120V 60 Hz / 0.3A
Electric supply	120 V / 60Hz AC

PREPARING THE INSTALLATION LOCATION



30" Gas Cooktop

A	11-13/16"
B	30"
C	30"
D	21-11/16"
E	3-3/4"
F	28-1/4"
G	19-3/8"
H	28-1/2"
J	19-11/16"
K	1-5/8"
L	2-3/4"

36" Gas Cooktop

A	11-13/16"
B	36"
C	36"
D	21-11/16"
E	3-3/4"
F	33-5/8"
G	19-3/8"
H	33-15/16"
J	19-11/16"
K	1-5/8"
L	2-3/4"