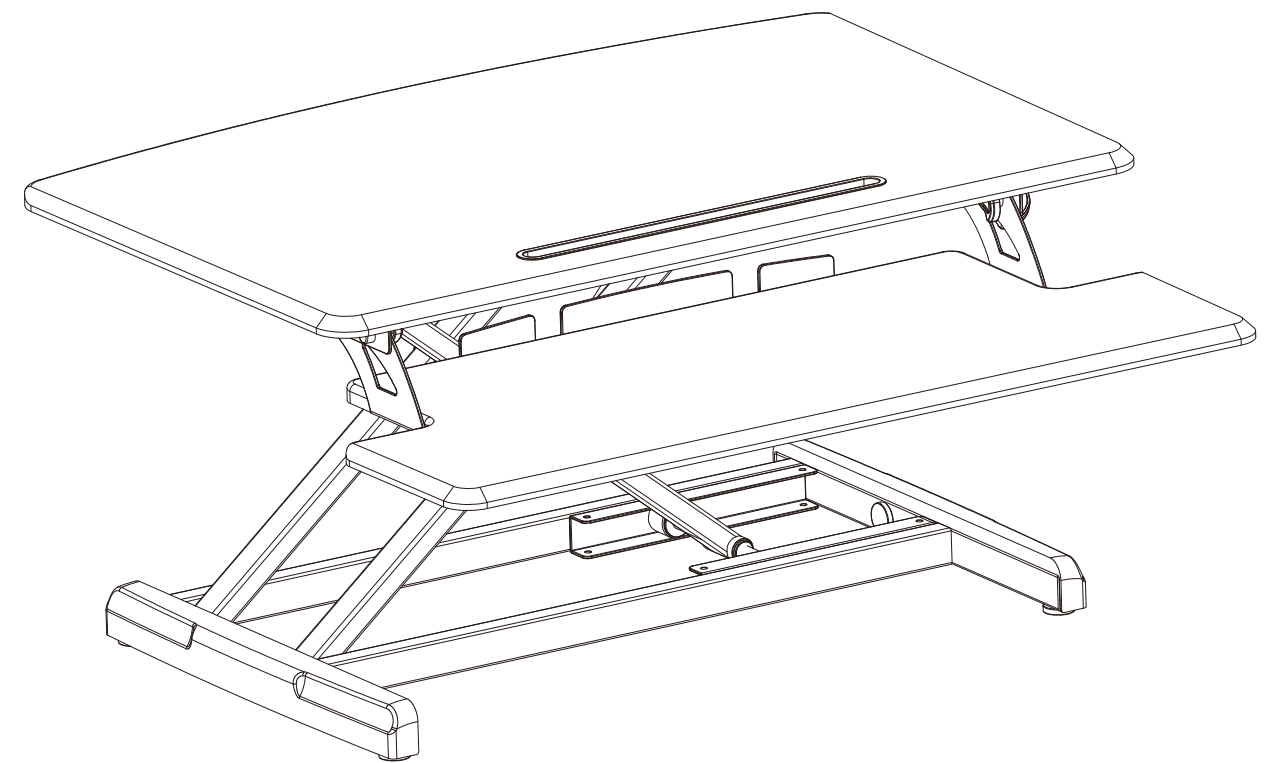




## AIRLIFT® 30" Gas-Spring Standing Desk Converter



Model #: WEB599

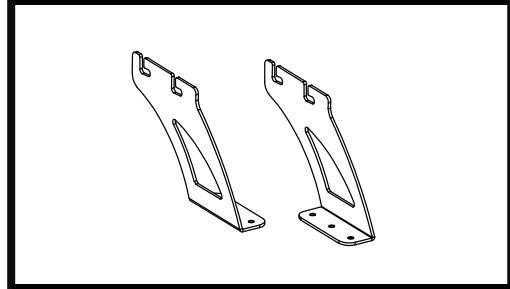
Thank you for choosing Seville Classics! We hope that you enjoy your new sit-to-stand desk. Please read through this user guide for parts list, instructions, frequently asked questions and contact information.

## Parts List

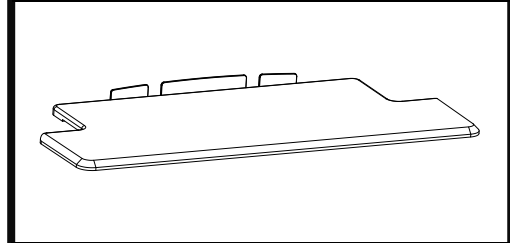
A. AIRLIFT® Desk (1)



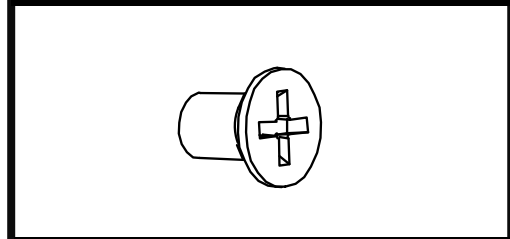
B. Brackets (2)



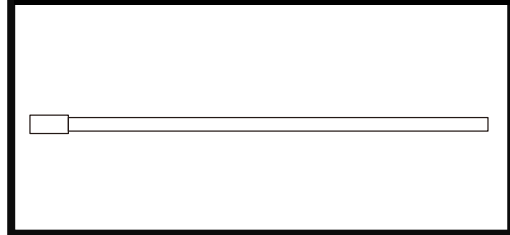
C. Tray (1)



D. Screws (6)



E. Zip-ties (2)



## Required Tools (not included)



**Please make sure you have all the parts on this list.**

If you're missing parts, contact us for replacements at (800) 323-5565 or send an email to [Support@SevilleClassics.com](mailto:Support@SevilleClassics.com)

## Use Instructions

1. Pull up on AIRLIFT® lever and desk top to lift.
2. Pull up on AIRLIFT® levers and press down on desk top to lower.

## FAQS

**Q. Can I attach a monitor stand to it? What about dual monitors?**  
A. Yes! Be sure the desk is below it's 28 lbs. maximum weight limit.

**Q. What size is the base?**  
A. Base measures 26.1 inches wide and 16.5 inches deep.

**Q. Do I need to plug it in?**  
A. Nope! It's fully pneumatic. Just put it on the table and get started!

## Specifications

Dimensions: 30" W x 26.6" D x (4.7" to 16.9" H)

Maximum weight on tray: 5 lbs. (2 kgs)

Maximum weight capacity overall: 28 lbs. (13 kgs)

## Customer Service Information

**Telephone:** (800) 323-5565



**Fax:** (310) 533-3899

**Hours:** 8:30 AM – 4:30 PM (PST)

**Email:** [Support@SevilleClassics.com](mailto:Support@SevilleClassics.com)

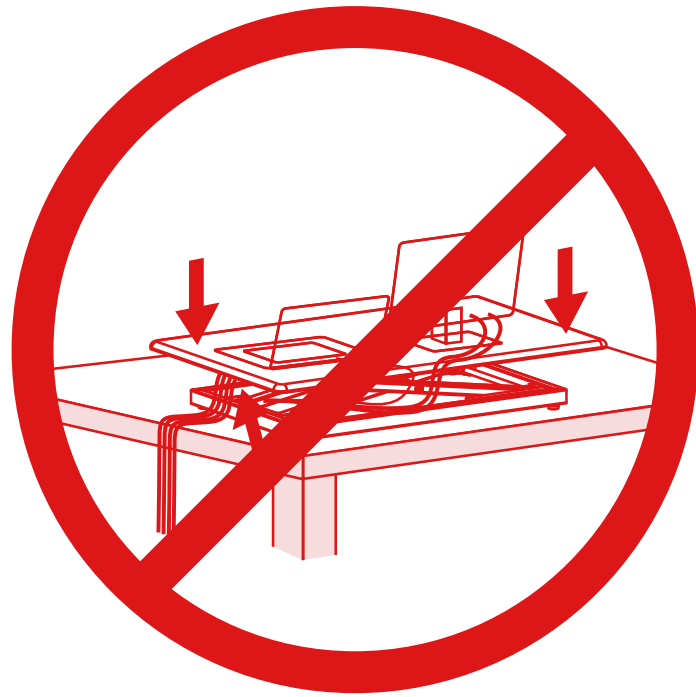
**Homepage:** [www.SevilleClassics.com](http://www.SevilleClassics.com)

# Safety

 Failure to follow these instructions may result in property damage or personal injury. 



**DO NOT** place devices on desk edge.



**DO NOT** route wires through desk legs.



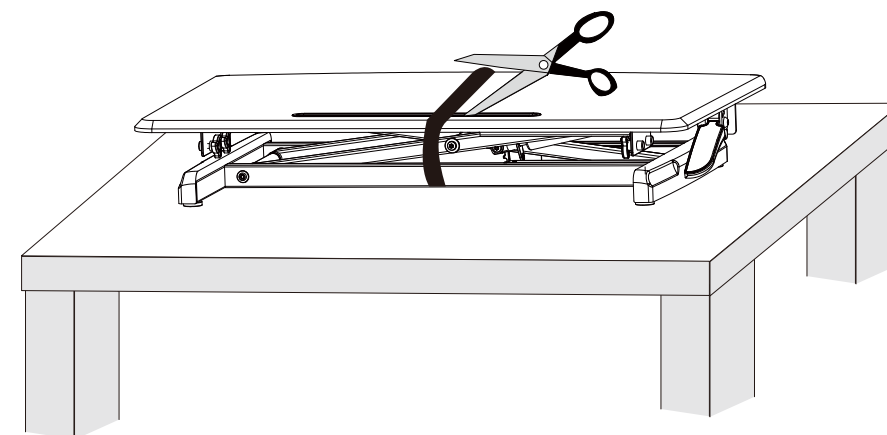
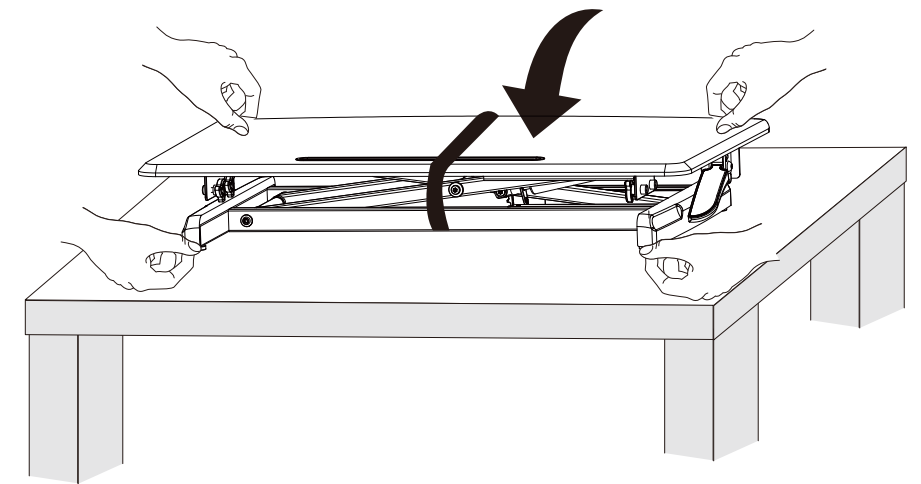
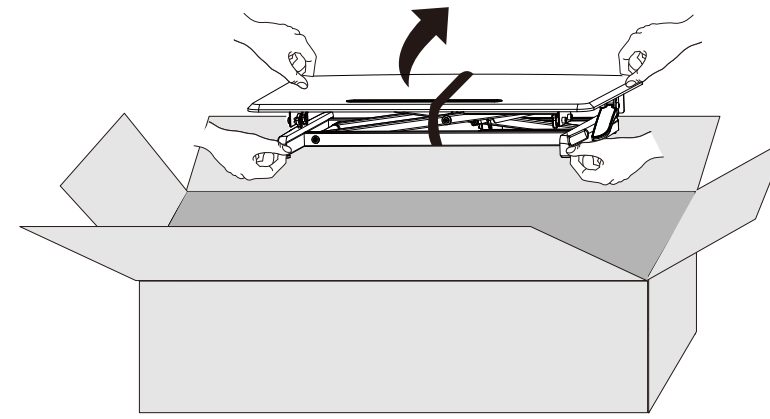
**MAKE SURE** devices have cables long enough for the full-range (15 in/38 cm) of height-adjustment.



**DO NOT** quickly lift desktop when loaded.

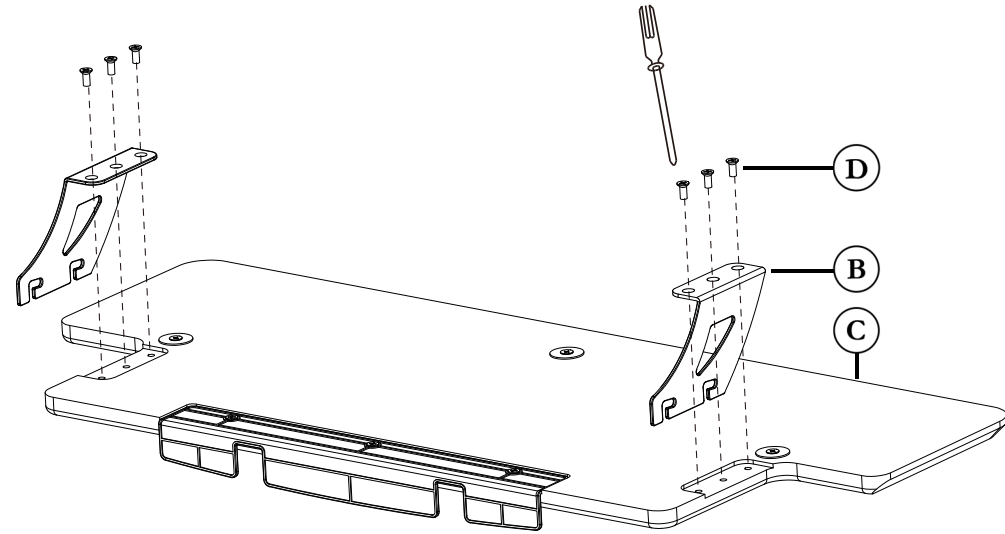
# Assembly Instructions

**STEP 1.** Remove AIRLIFT® DESK (A) from box and set on flat table.

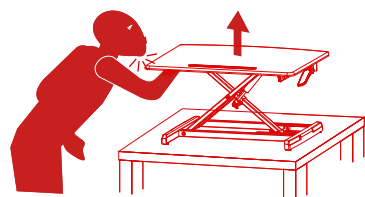
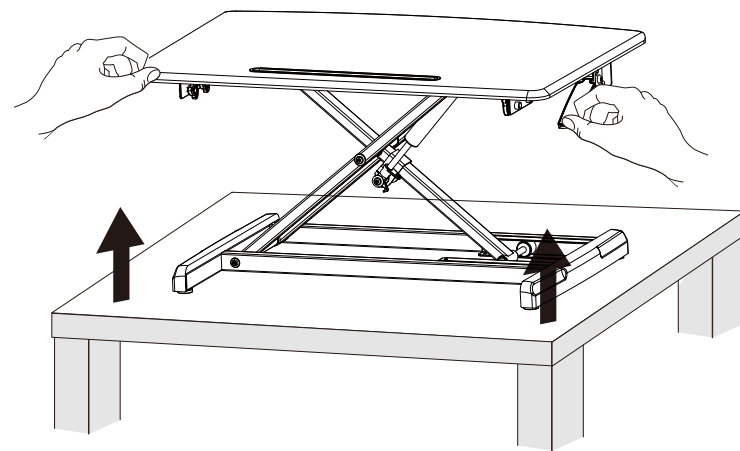
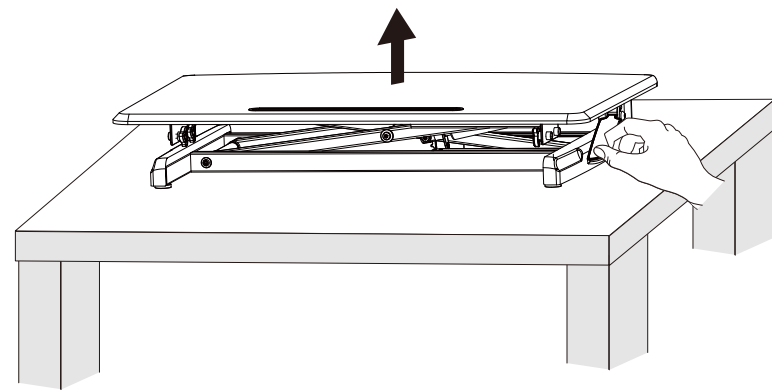


**STEP 2.**  
Cut the plastic ties on both sides of the AIRLIFT® DESK (A).

**STEP 3.** Flip **TRAY (C)** upside down. Attach **BRACKETS (B)** with **SCREWS (D)** and screwdriver.



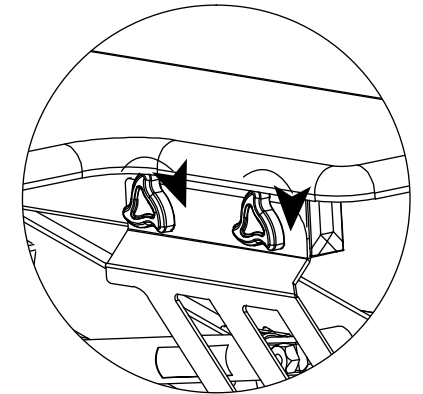
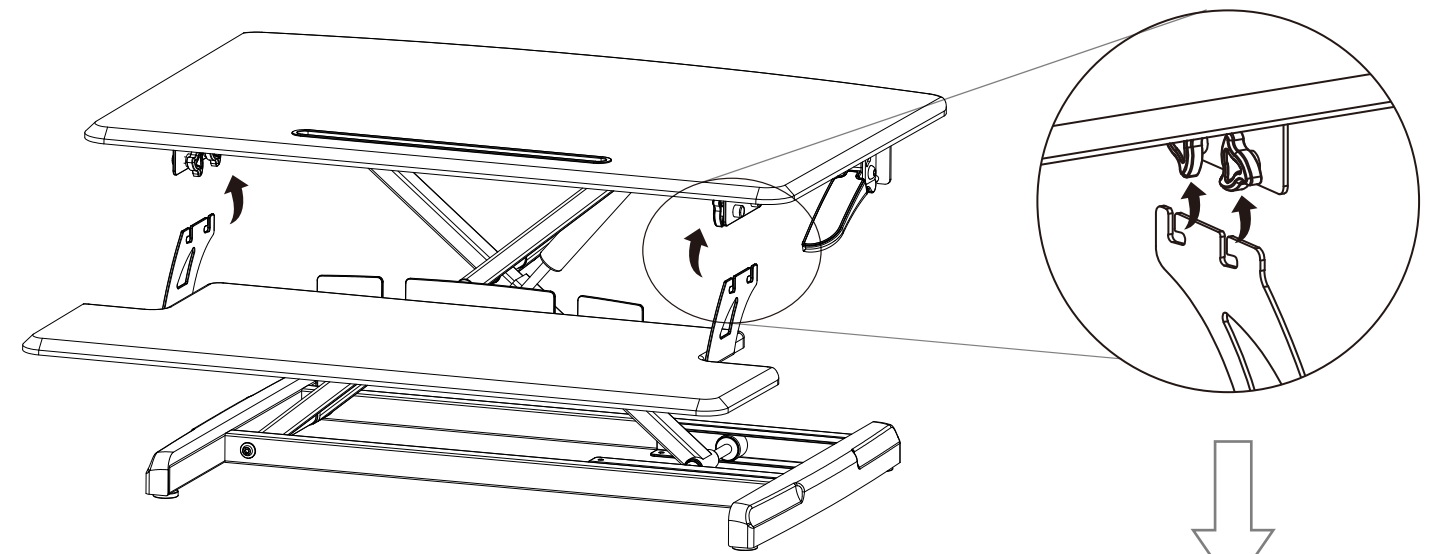
**STEP 4.** Pull up on **AIRLIFT®** lever and desk top to lift.



**WARNING:** DO NOT PLACE HANDS ON  
DESK LEGS. MOVING PARTS CAN CRUSH.



**STEP 5.** Hook **BRACKETS (B)** over the screws beneath top of the **AIRLIFT® DESK (A)**.



Hand tighten screws counter-clockwise to secure **BRACKETS (B)**.

**STEP 6.** Place your belongings on the desktop to finish!

