



Step 1 Staircase Preparation

Clean any residue, this includes paint and dust.

Remove the carpet.

! If the tread is bowed, it should be leveled

Remove or hammer down any nails.

IMPORTANT

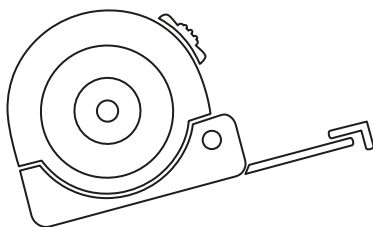


Preparing the stairs correctly is key to guaranteeing a good adhesion of our stairnoses and the fillers plate

Step 2 Take Measurement

! Front and Back measurements could be different on each step.

Measure each step individually as each step could have different measurement



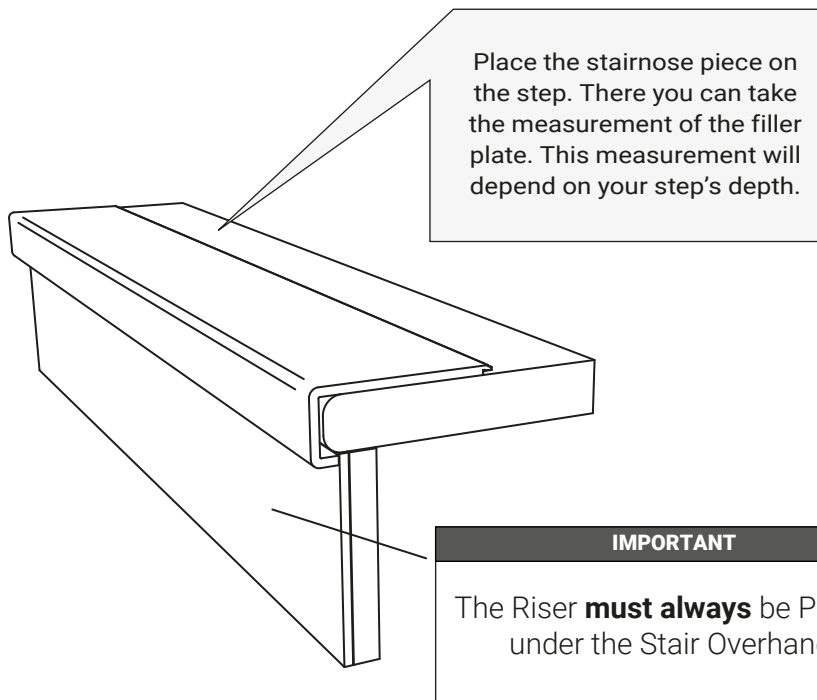
IMPORTANT



Taking precise measurements is the most important step to ensure a proper installation.

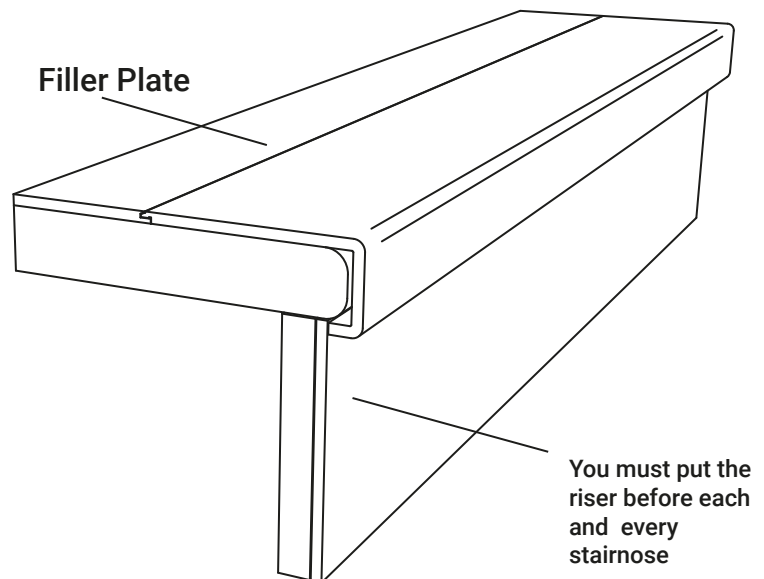
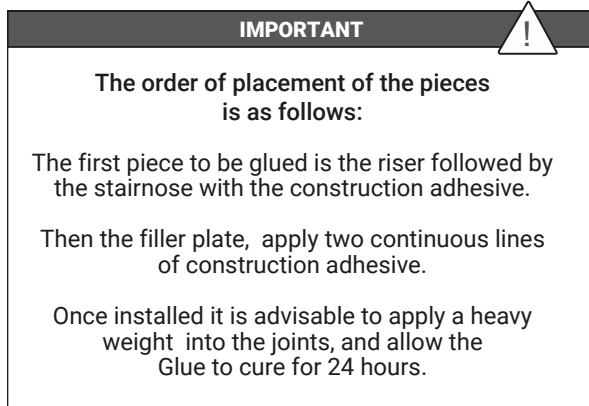
Step 3 Cut the pieces

Taking all safety regulations, cut stairnose with the measurements of each step.

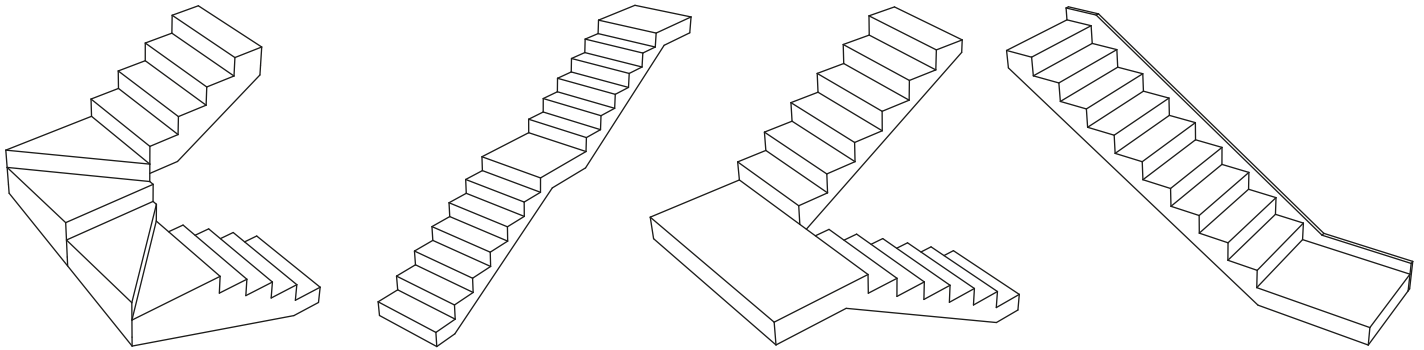


Step 4 Final Installation

Once the piece is cut to size it should be laid without glue to ensure it is cut to the correct size. Then, two continuous lines of construction adhesive should be applied along the entire length of the piece as indicated in the diagram. The filler plate also has to be glued.

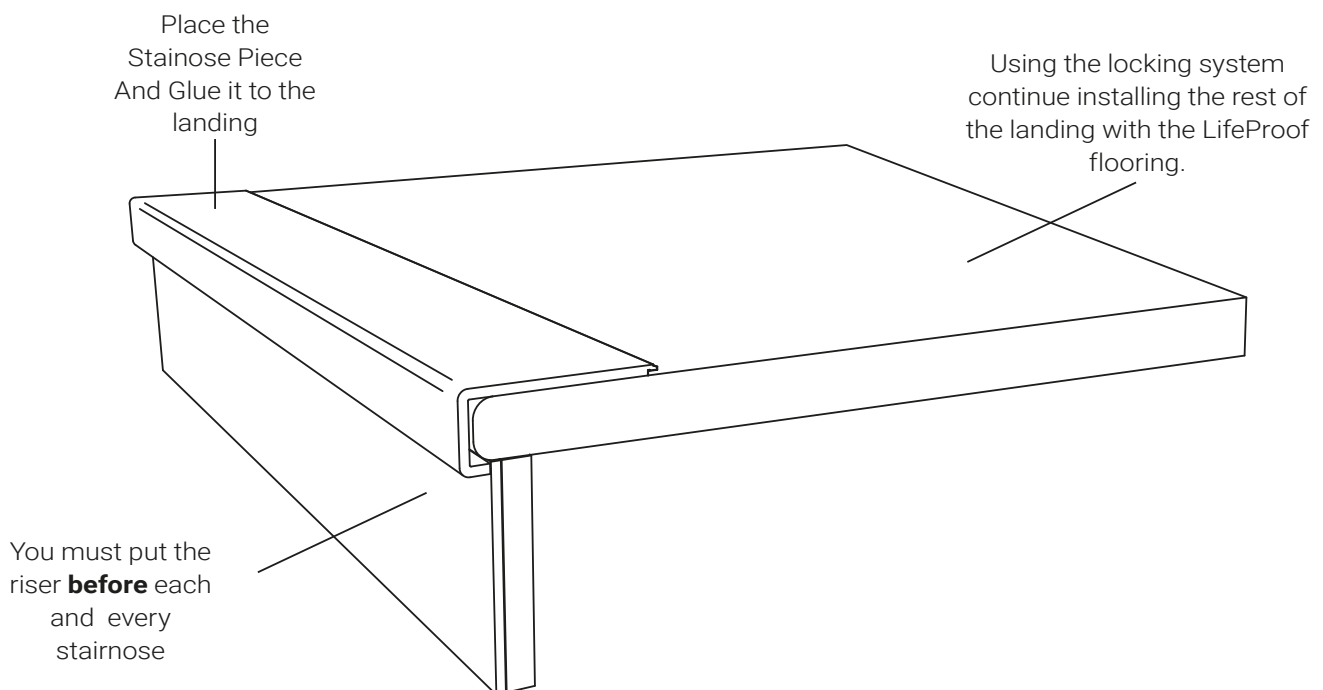


Landings



Landings are a common feature in many types of staircases; however, with Step Solution Stairnose, installation is possible regardless of the complexity. If you have a landing in your project, the filler plate included in the box with your Stairnose will not be sufficient to cover this surface, but the Stairnose piece can still be used to begin installing these surfaces.

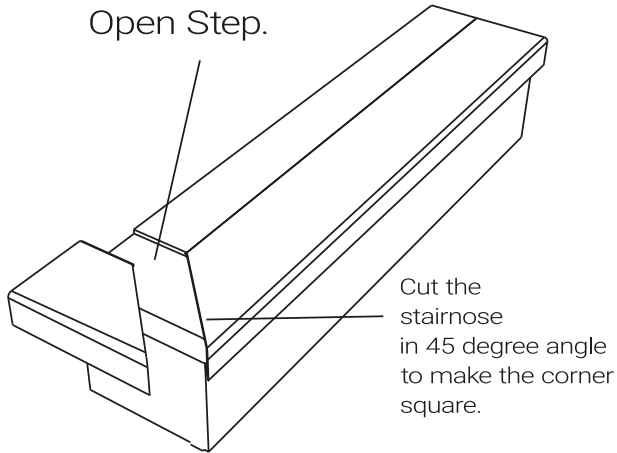
To do this, you will need to measure the square footage of your landings and purchase the same color flooring from the LifeProof brand. You can find this material at your nearest **Home Depot** store. With our Stairnose pieces, you will be able to seamlessly connect the additional LifeProof flooring, whether it's for a landing or extending the same flooring at the end of your staircase. As long as it's the same color from the LifeProof brand available at **Home Depot**, you'll always be able to connect our pieces with ease.



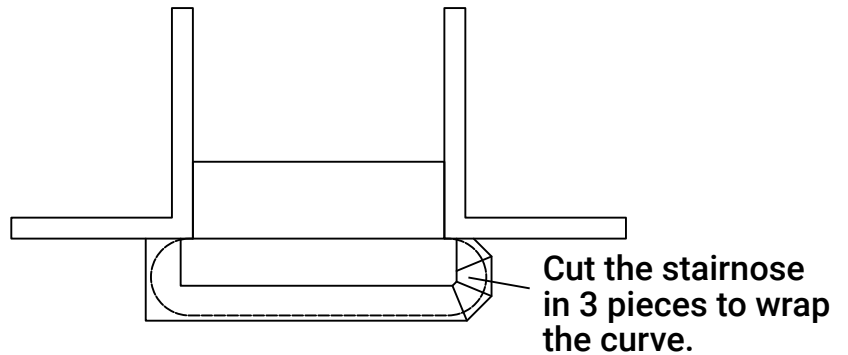
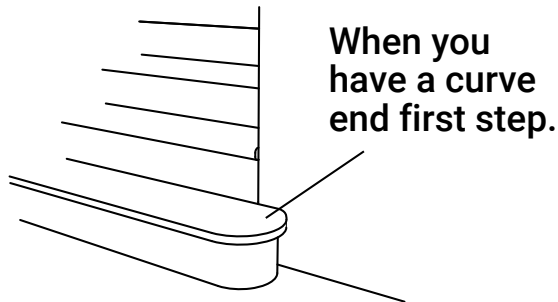
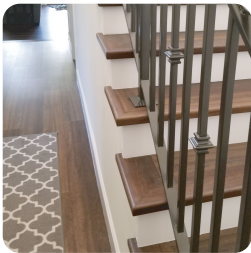
FOR THE CORRECT INSTALLATION OF THIS PRODUCT YOU MUST COMPLETE THESE STEPS.

Installation Tips

One Side
Open Step.



When the staircase has an exposed side it should be installed by covering this side with a 45 degree cut to create a square shaped step.



Sometimes the first step is round, in these cases there are only two options to cover it, you can make 3 or 4 cuts to make it look like an octagon or build it square.



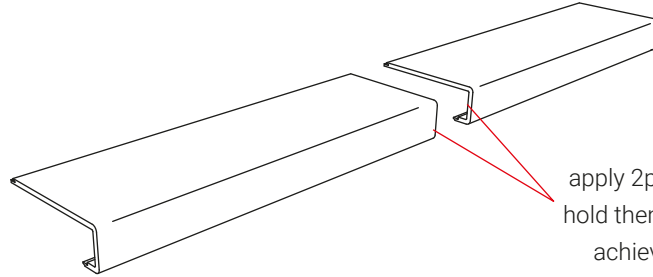
Installation Tips

OverSize step

When the step is larger than the plate, two plates should be connected. To do it properly, you should cut the side of the plates, then glue them together.



StepSolution recommends Fastcap 2p10 glue to join two pieces.



apply 2p10 between them and hold them in to place aligned to achieve a seamless piece



Sunken living room

Sunken living rooms are very common in many modern constructions, our pieces are perfect for these cases, their installation is the same as an Over Size Step.



InstallationTips

Square model Support

The proper installation of our stairnose products is crucial to ensure their durability and prevent fractures. In the following image, you will find various installation options that demonstrate the correct method, as well as an example of how NOT to install the stairnose. It is essential to follow the recommended installation guidelines to maximize the lifespan and performance of your stairnose, providing a seamless and lasting finish for your flooring project.

