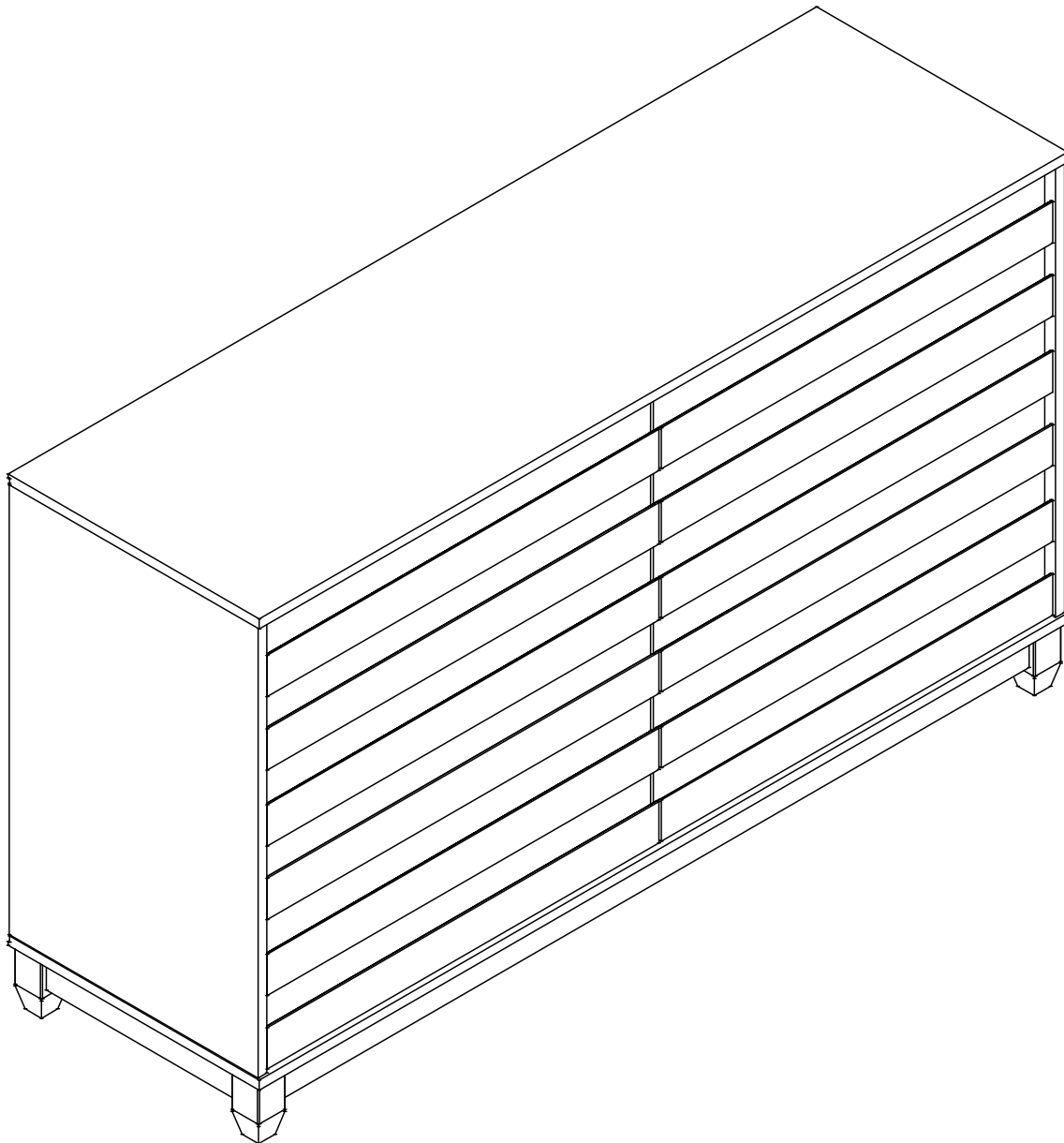


# Item # : BR6DPRIDR

## Assembly Instructions

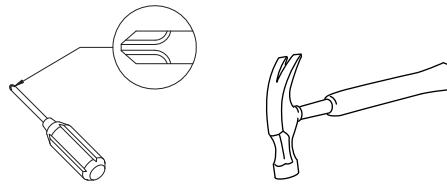


Please visit our website for the most current instructions, assembly tips, to report damage or request parts. [www.walkerredson.com](http://www.walkerredson.com)

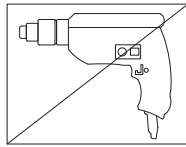
Revised 01/2021

# General Assembly Guidelines

- I. Ensure that all parts and hardware are available before beginning assembly.
- II. Follow each step carefully to ensure the proper assembly of this product.
- III. Two people are recommended for ease in the assembly of this product.
- IV. The three main types of hardware used to assemble this product are wood dowels, screws and bolts.
- V. A Phillips head screwdriver is required for the assembly of this product.



- VI. Power tools should not be used to assemble this product.



# Parts List

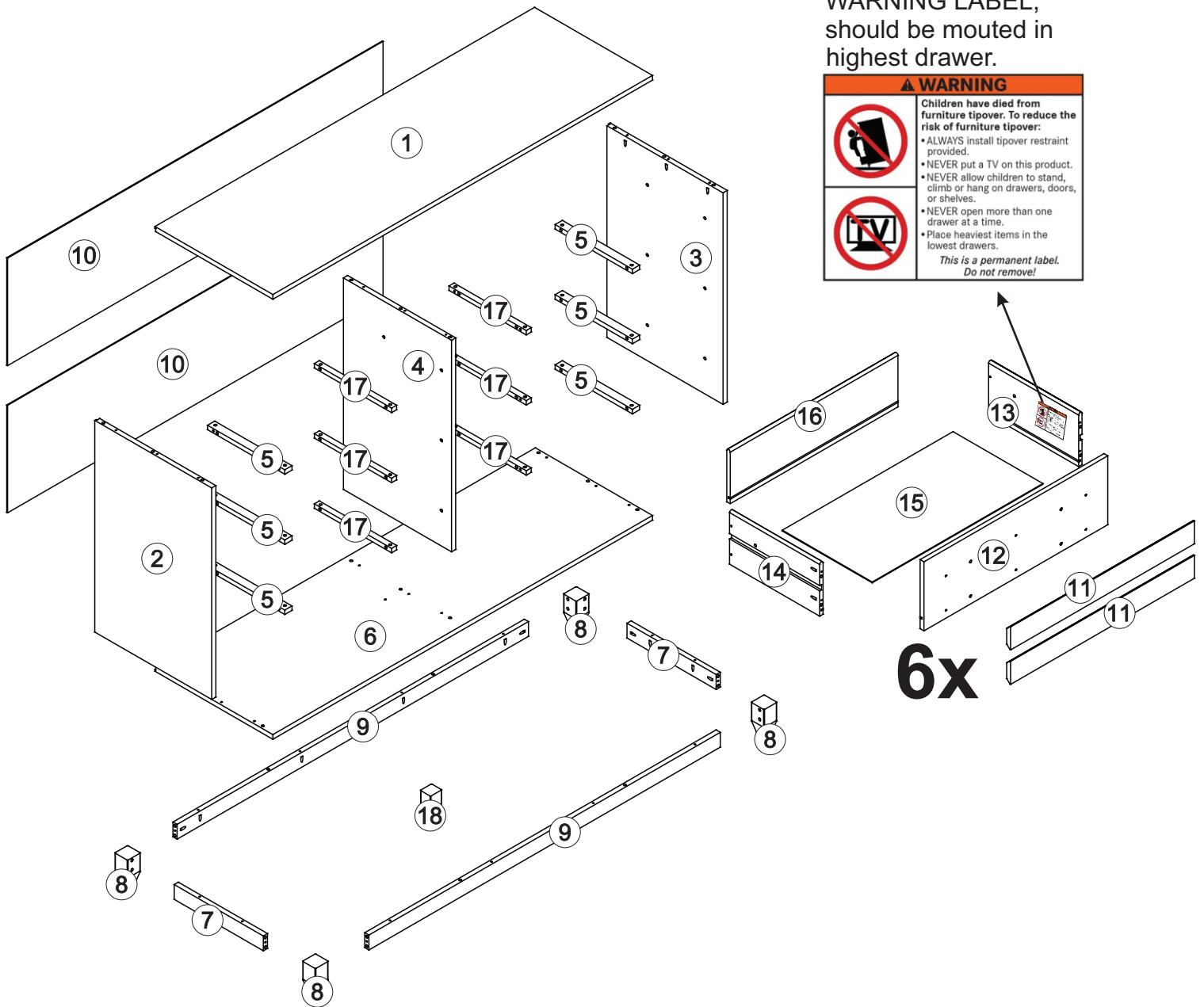
The side drawer with WARNING LABEL, should be mouted in highest drawer.

**▲ WARNING**

Children have died from furniture tipover. To reduce the risk of furniture tipover:

- ALWAYS install tipover restraint provided.
- NEVER put a TV on this product.
- NEVER allow children to stand, climb or hang on drawers, doors, or shelves.
- NEVER open more than one drawer at a time.
- Place heaviest items in the lowest drawers.

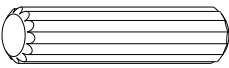





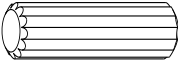
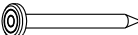

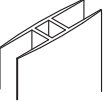
*This is a permanent label. Do not remove!*

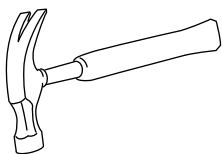


Part#	Description	Qty
1	Top panel	01 pcs
2	Left side panel	01 pcs
3	Right side panel	01 pcs
4	Center panel	01 pcs
5	Drawer runner	06 pcs
6	Bottom panel	01 pcs
7	Foot crossbeam	02 pcs
8	Foot	04 pcs
9	Front / Back crossbeam	02 pcs

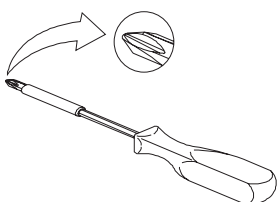
Part#	Description	Qty
10	Back panel	02 pcs
11	Apply Drawer	12 pcs
12	Front Drawer	06 pcs
13	Drawer Right Side	06 pcs
14	Drawer Left Side	06 pcs
15	Drawer bottom	06 pcs
16	Drawer back	06 pcs
17	Center drawer runner	06 pcs
18	Center Foot	01 pcs

# Hardware List

A		Ø8*30mm	Wooden dowel	86 pcs
B		Ø3,5*30mm	Screw	78 pcs
C		Ø4,0*40mm	Screw	10 pcs
D		Ø4,0*25mm	Screw	61 pcs
E			Washer	02 pcs
F			Wall anchor	01 pc
G		Ø8*20mm	Wooden dowel	48 pc
H		Ø10*10	Nail	32 pcs
J			Ø6mm	01 pc
K			Profile H	01 pc



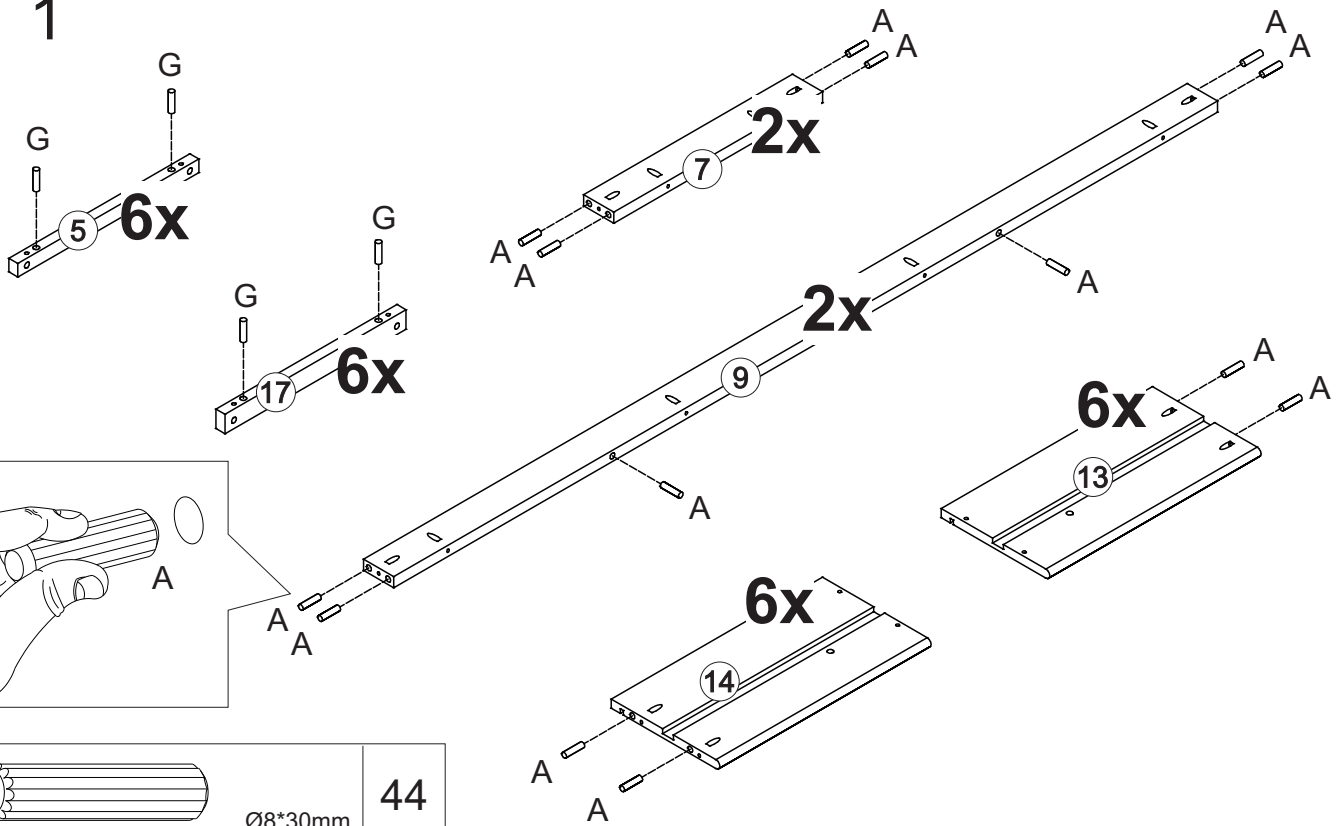
Hammer recommended for assembly  
(not included)

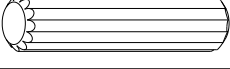
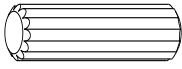


Philips head screwdriver required for assembly  
(not included)

*The hardware quantities listed above are required for proper assembly.  
Some extra hardware may also have been included.*

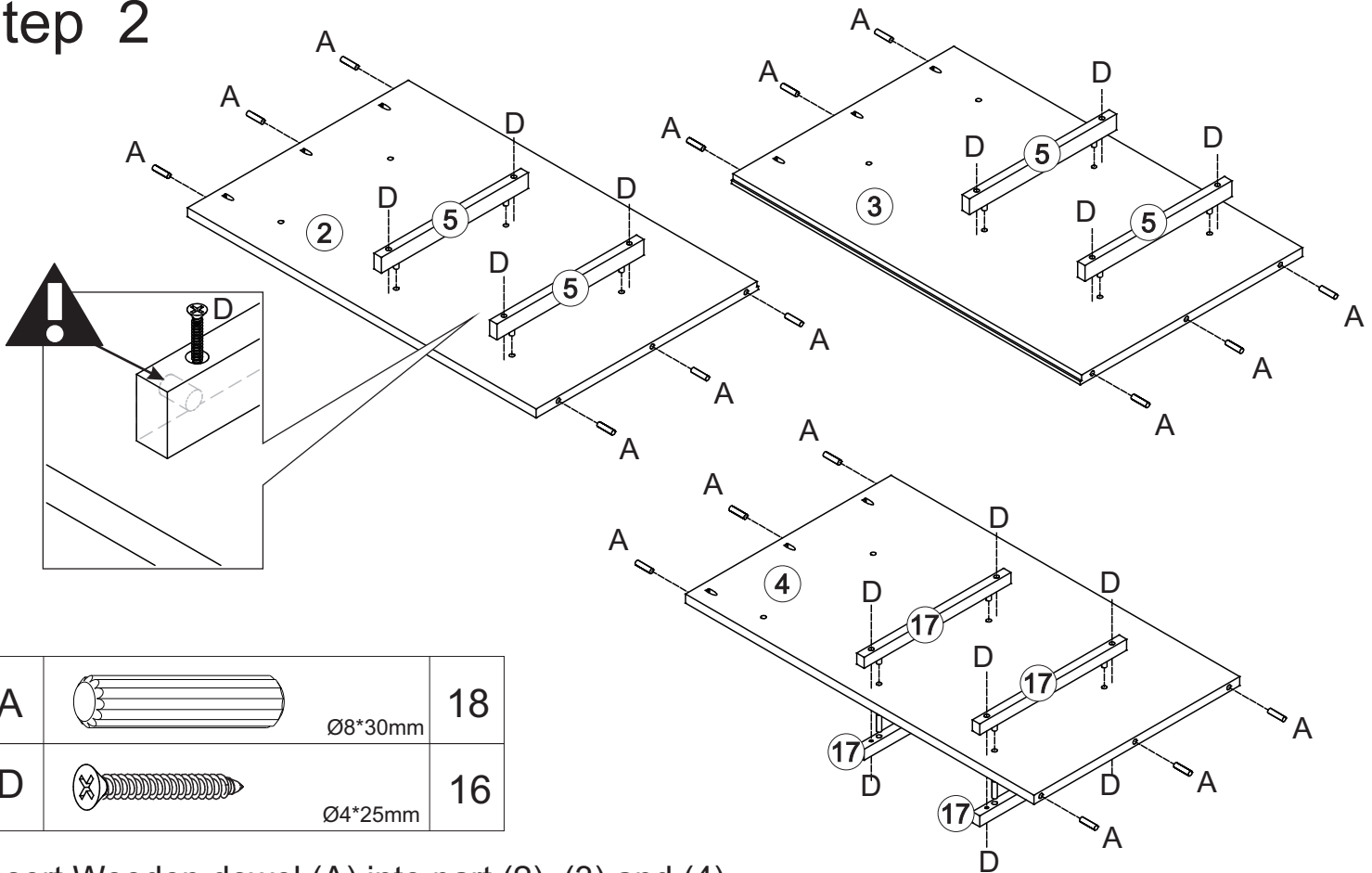
# Step 1

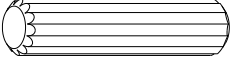



A		Ø8*30mm	44
G		Ø8*20mm	24

Insert Wooden dowel (A) into part (7), (9), (13) and (14).  
 Insert Wooden dowel (G) into part (5) and (17).

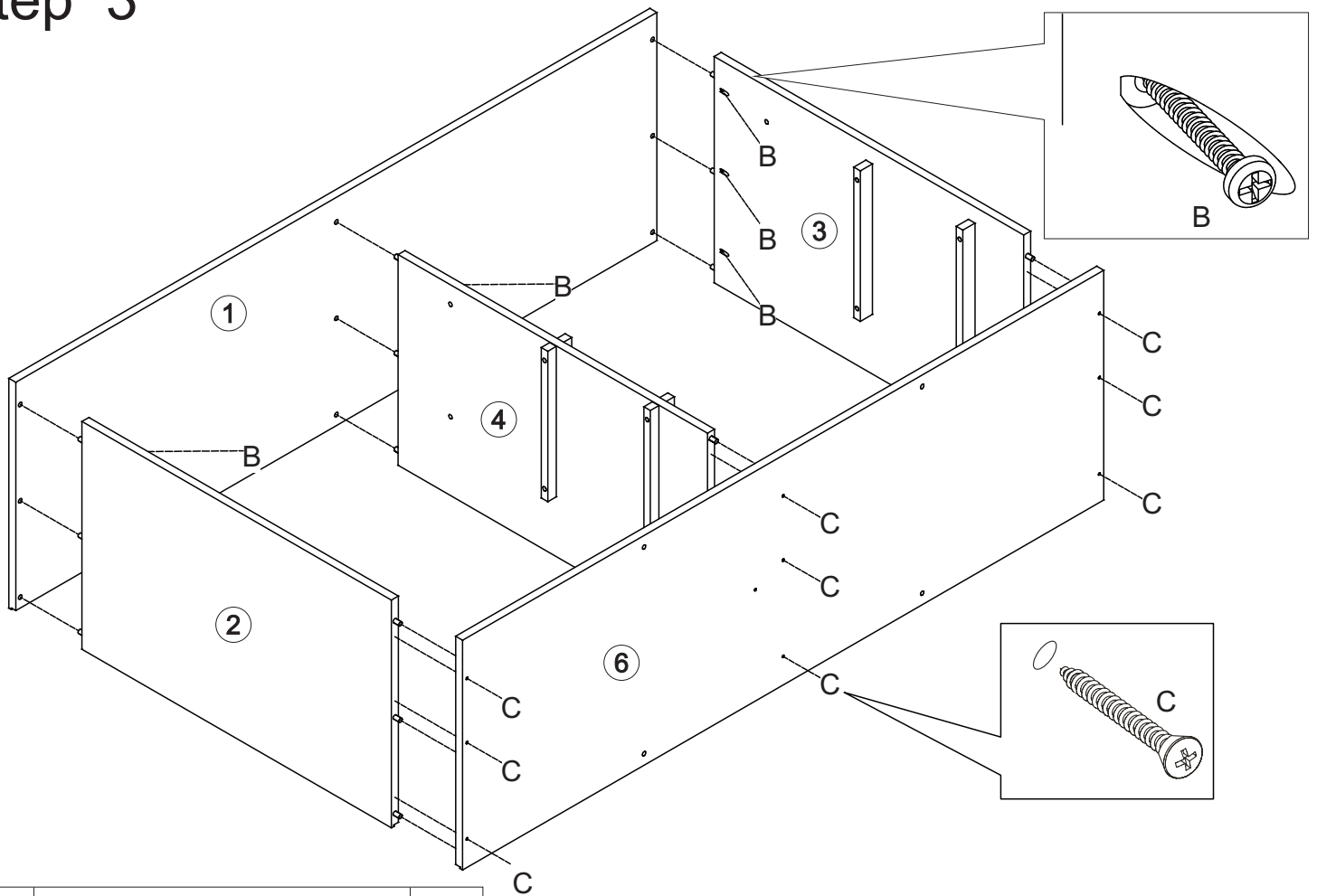
# Step 2





A		Ø8*30mm	18
D		Ø4*25mm	16

Insert Wooden dowel (A) into part (2), (3) and (4).  
 Secure part (17) to part (4) and secure part (5) to part (2) and (3) with screw (D).

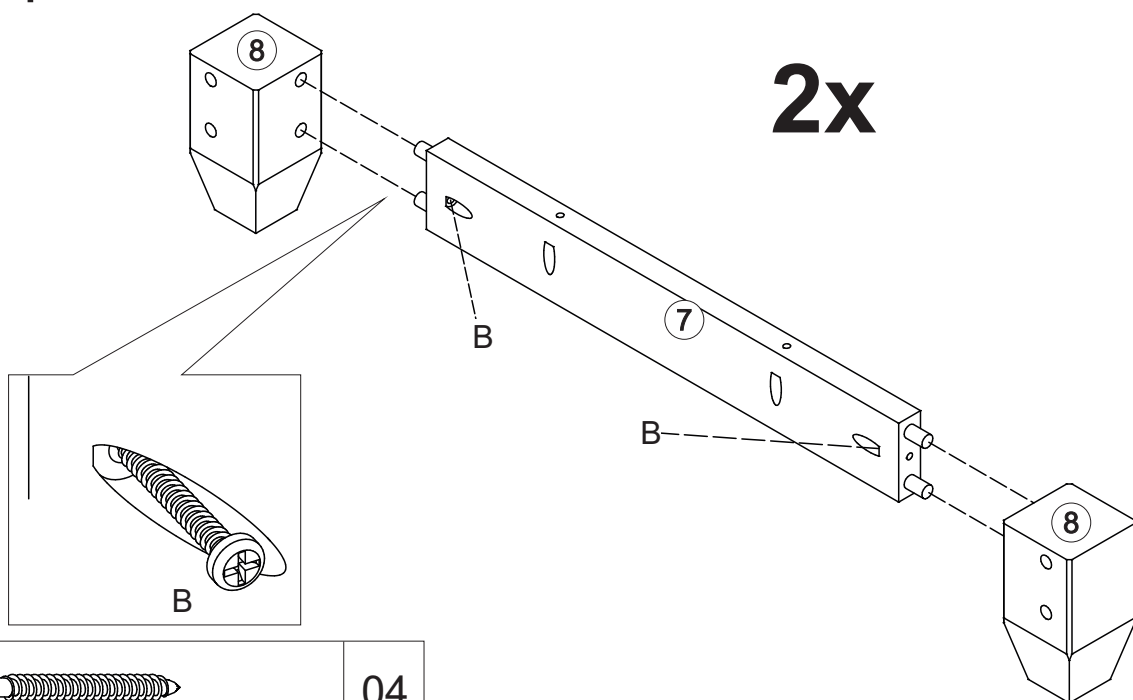
# Step 3




B		Ø3,5*30mm	09
C		Ø4*40 mm	09

Secure part (1) to part (2), (3) and (4) with screw (B).  
Secure part (6) to part (2), (3) and (4) with screw (C).

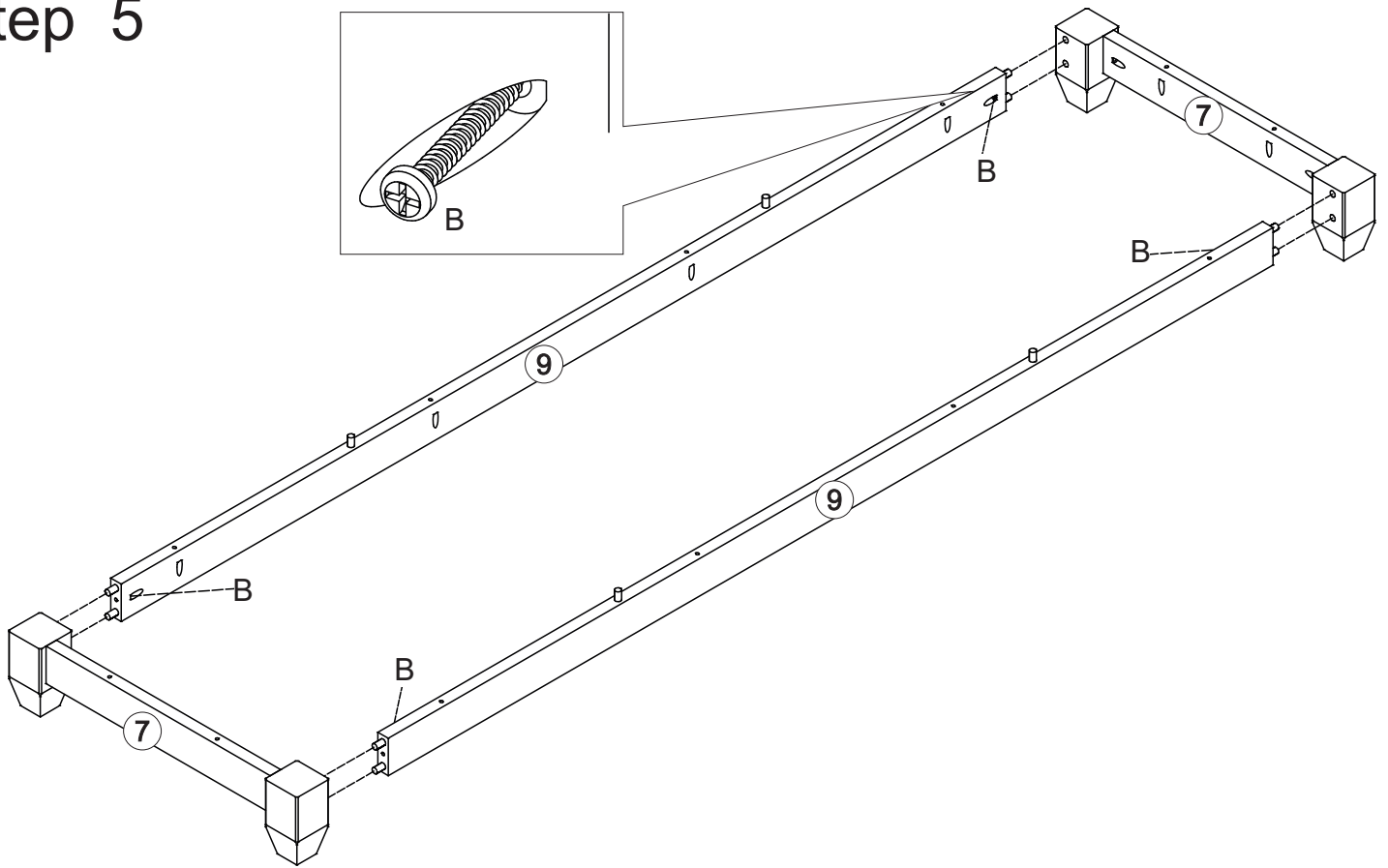
# Step 4




B		Ø3,5*30mm	04
---	---	-----------	----

Secure part (8) to part (7) with screw (B).

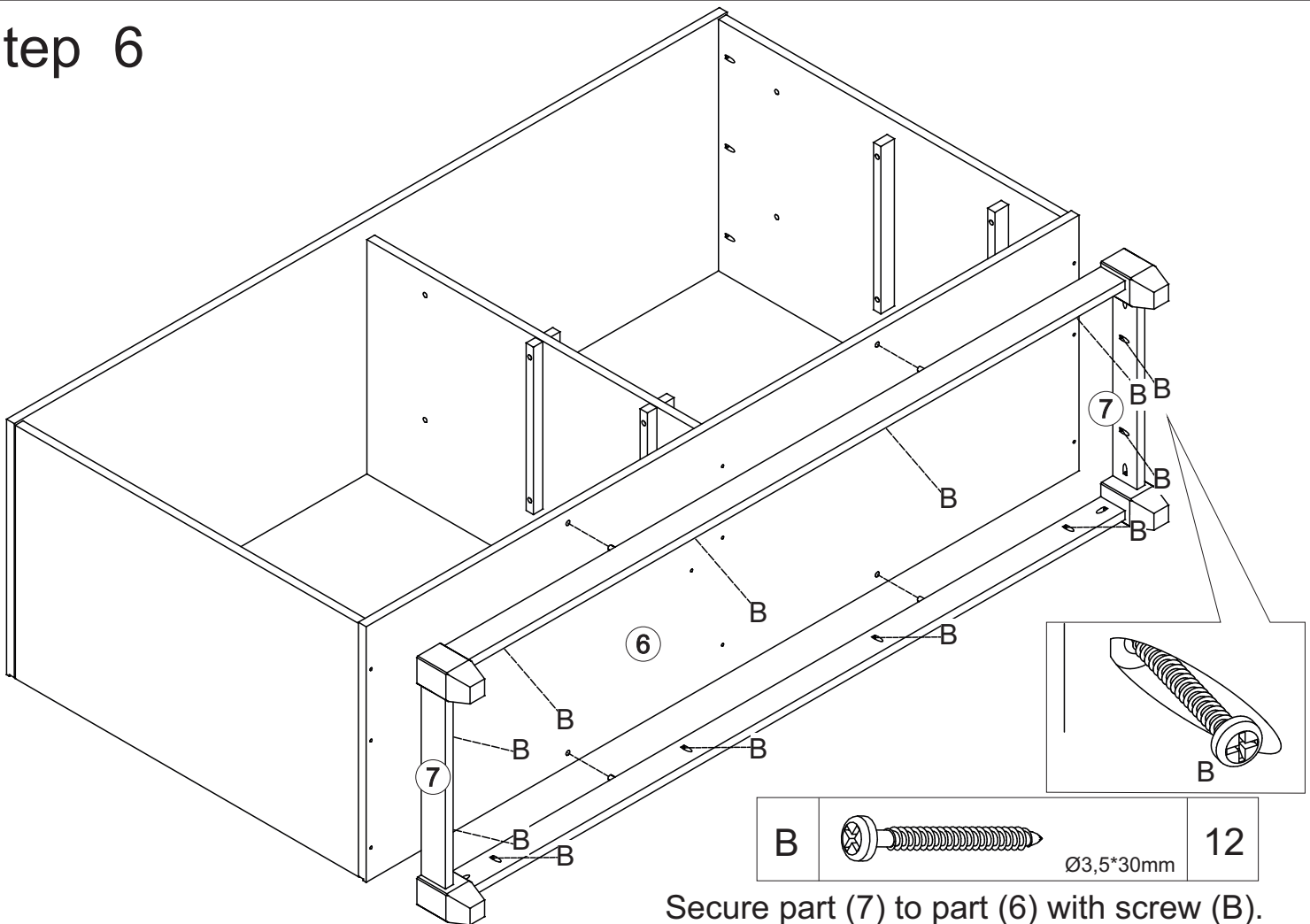
# Step 5




B		Ø3,5*30mm	04
---	---	-----------	----

Secure part (9) to part (7) with screw (B).

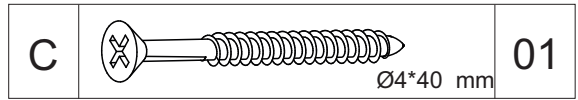
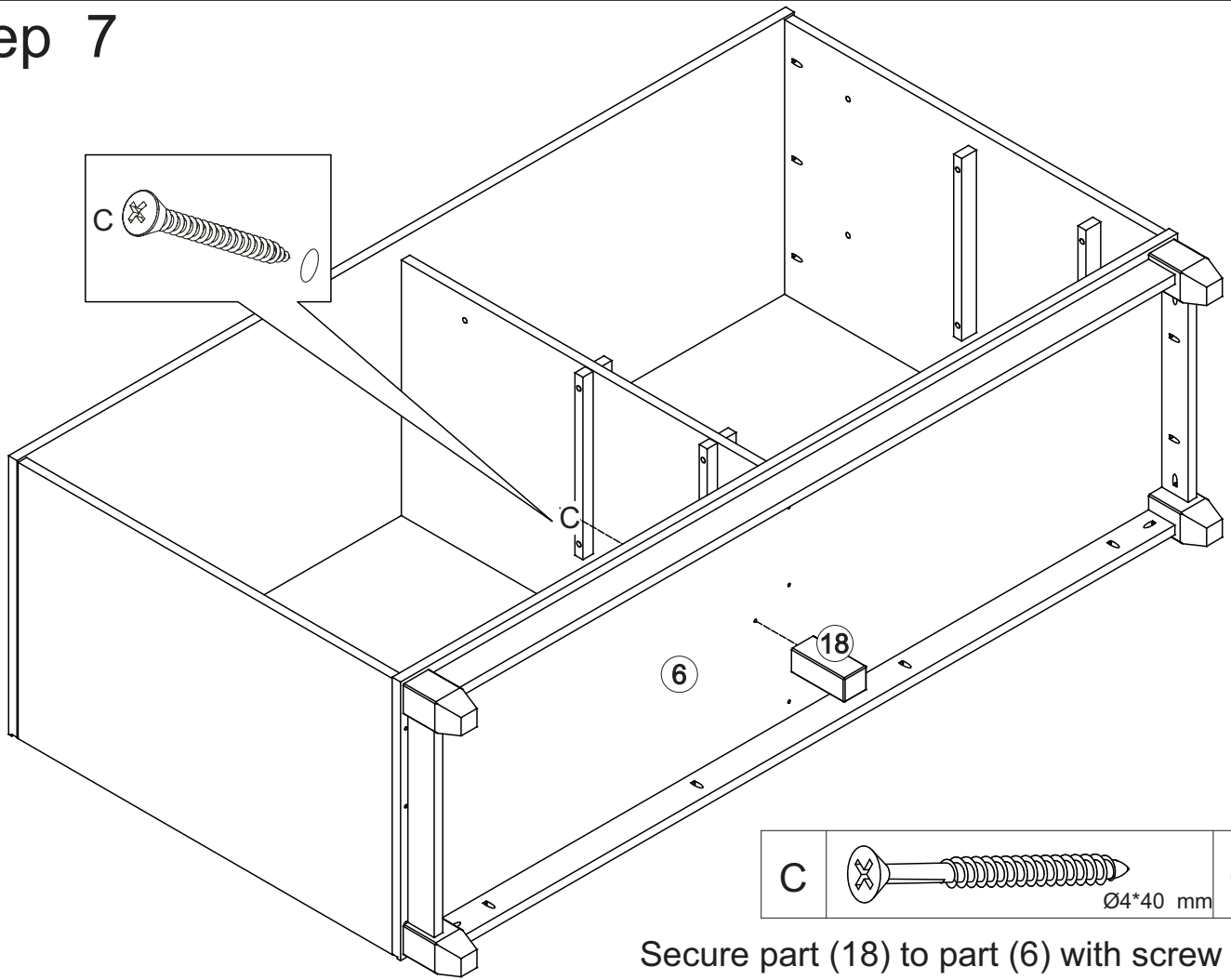
# Step 6



B		Ø3,5*30mm	12
---	---	-----------	----

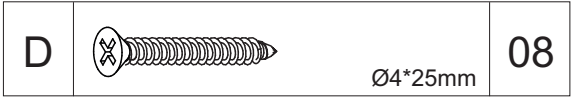
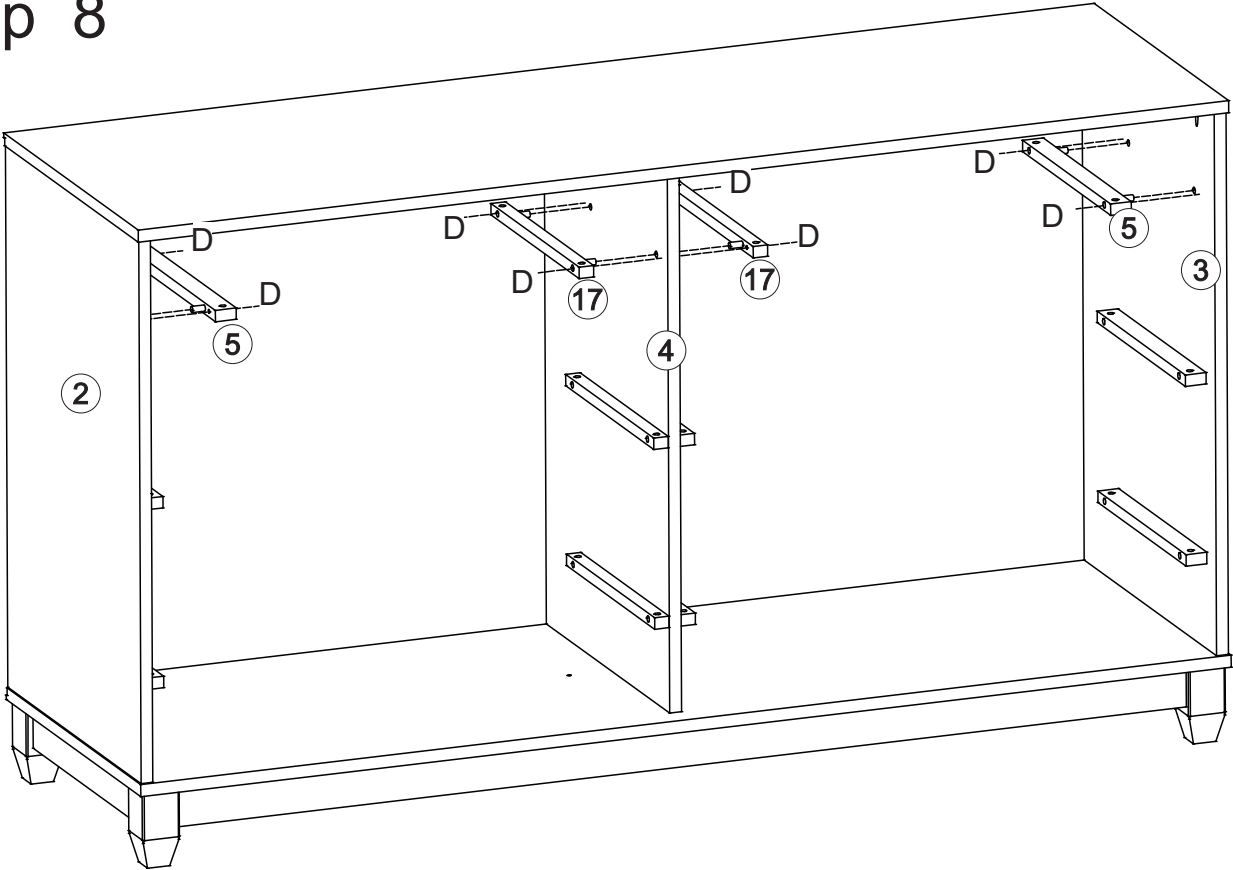
Secure part (7) to part (6) with screw (B).

# Step 7



Secure part (18) to part (6) with screw (C).

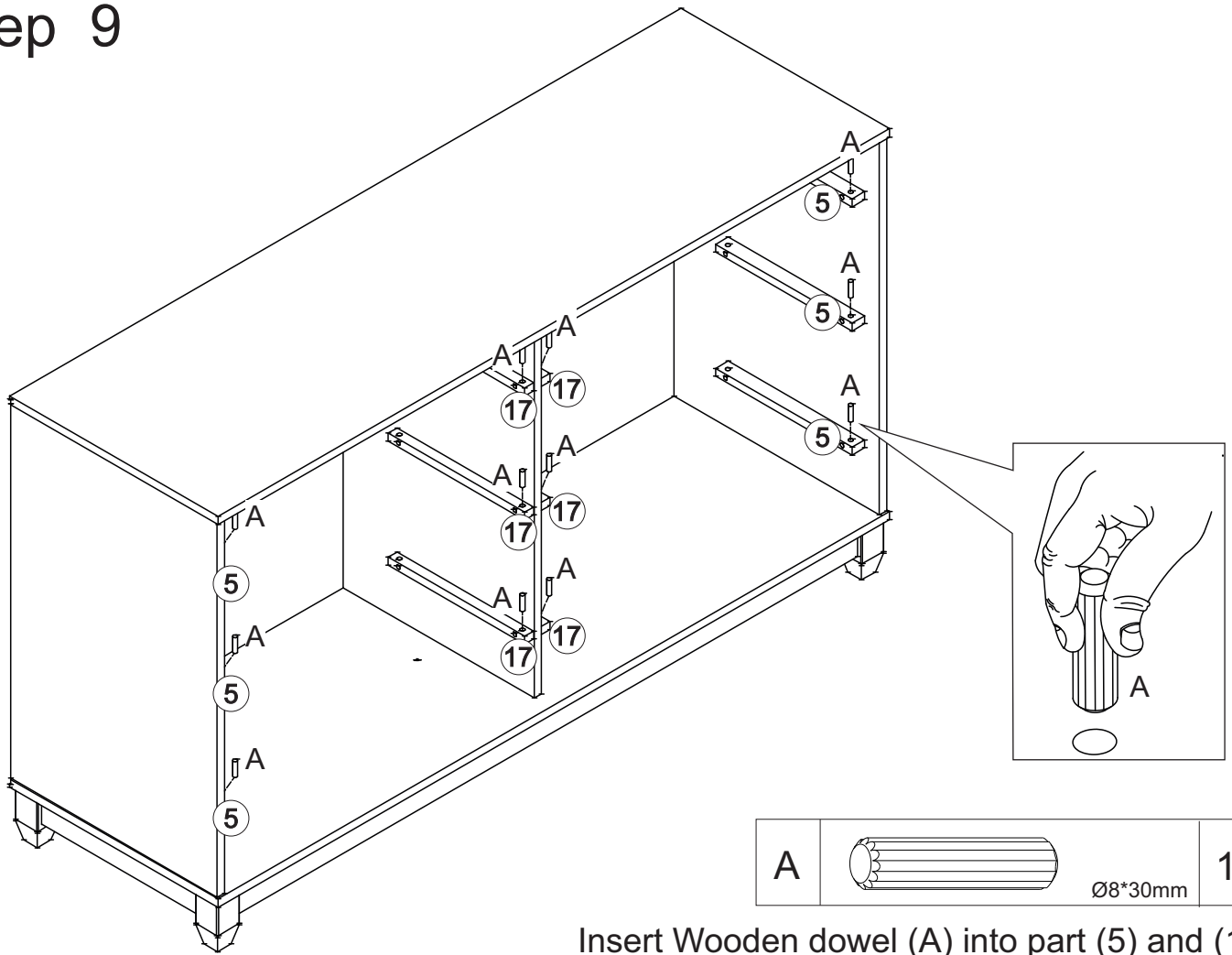
# Step 8



Secure part (5) to part (2) and (3) with screw (D).  
Secure part (17) to part (4) with screw (D).

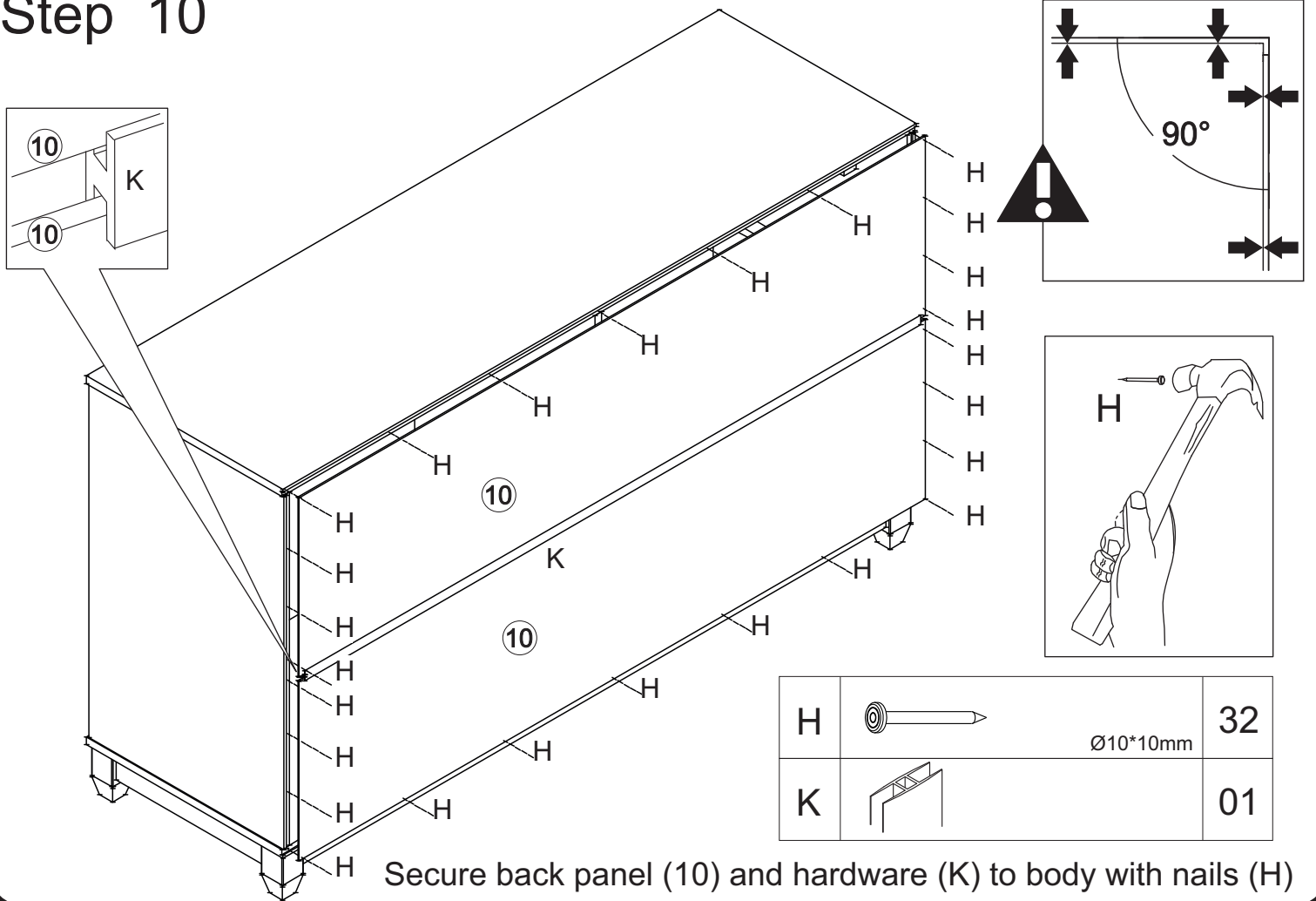


# Step 9



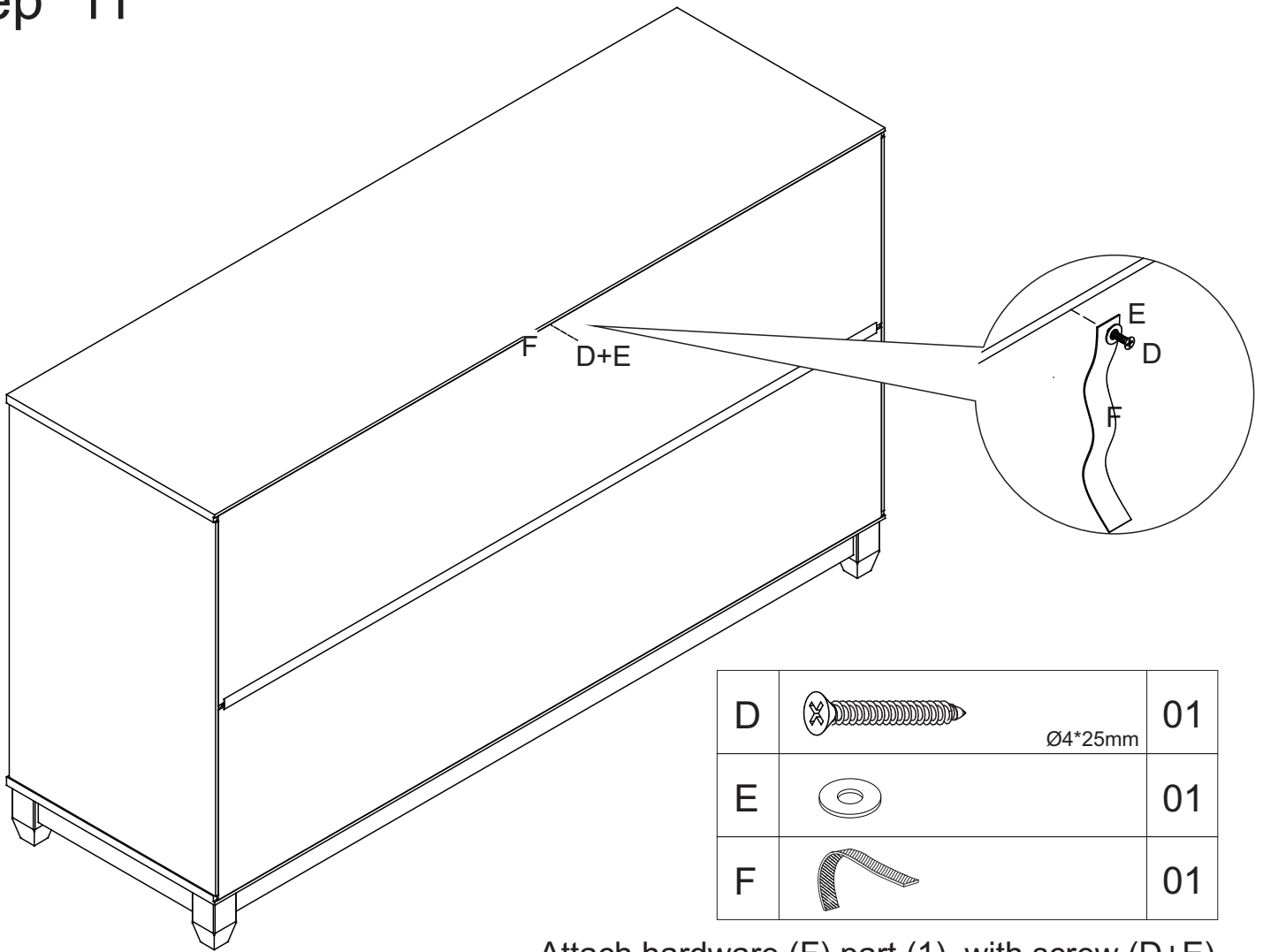
Insert Wooden dowel (A) into part (5) and (17).



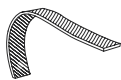
# Step 10



Secure back panel (10) and hardware (K) to body with nails (H)

# Step 11

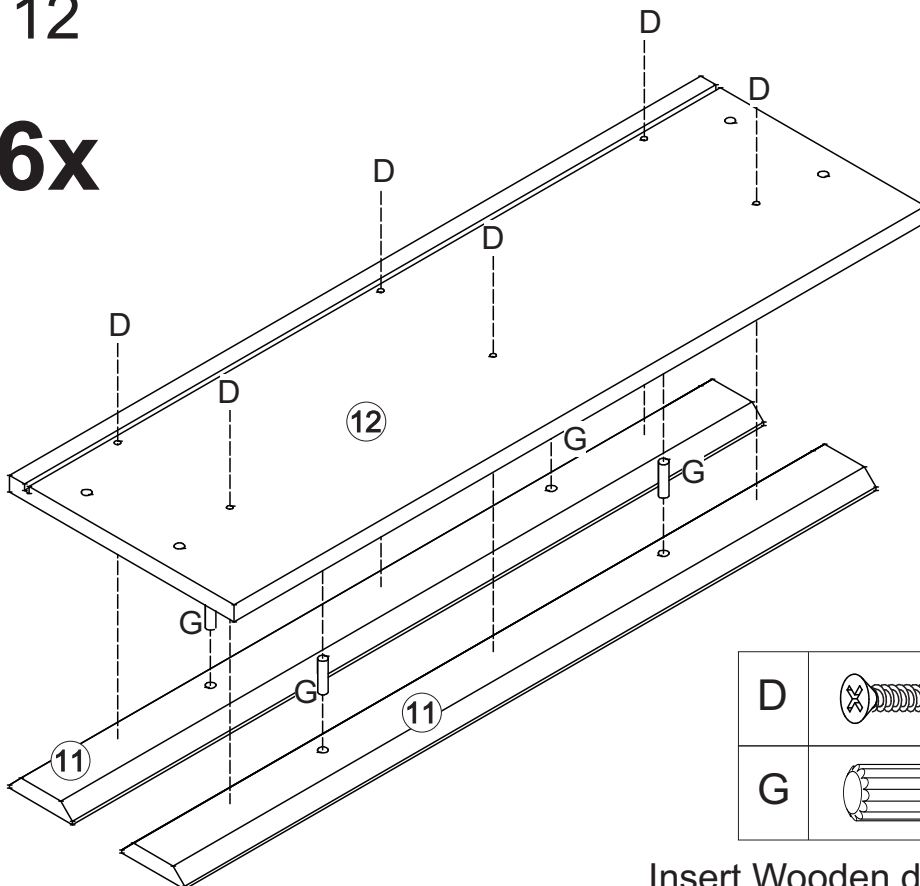



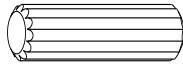
D		Ø4*25mm	01
E			01
F			01

Attach hardware (F) part (1), with screw (D+E).

# Step 12

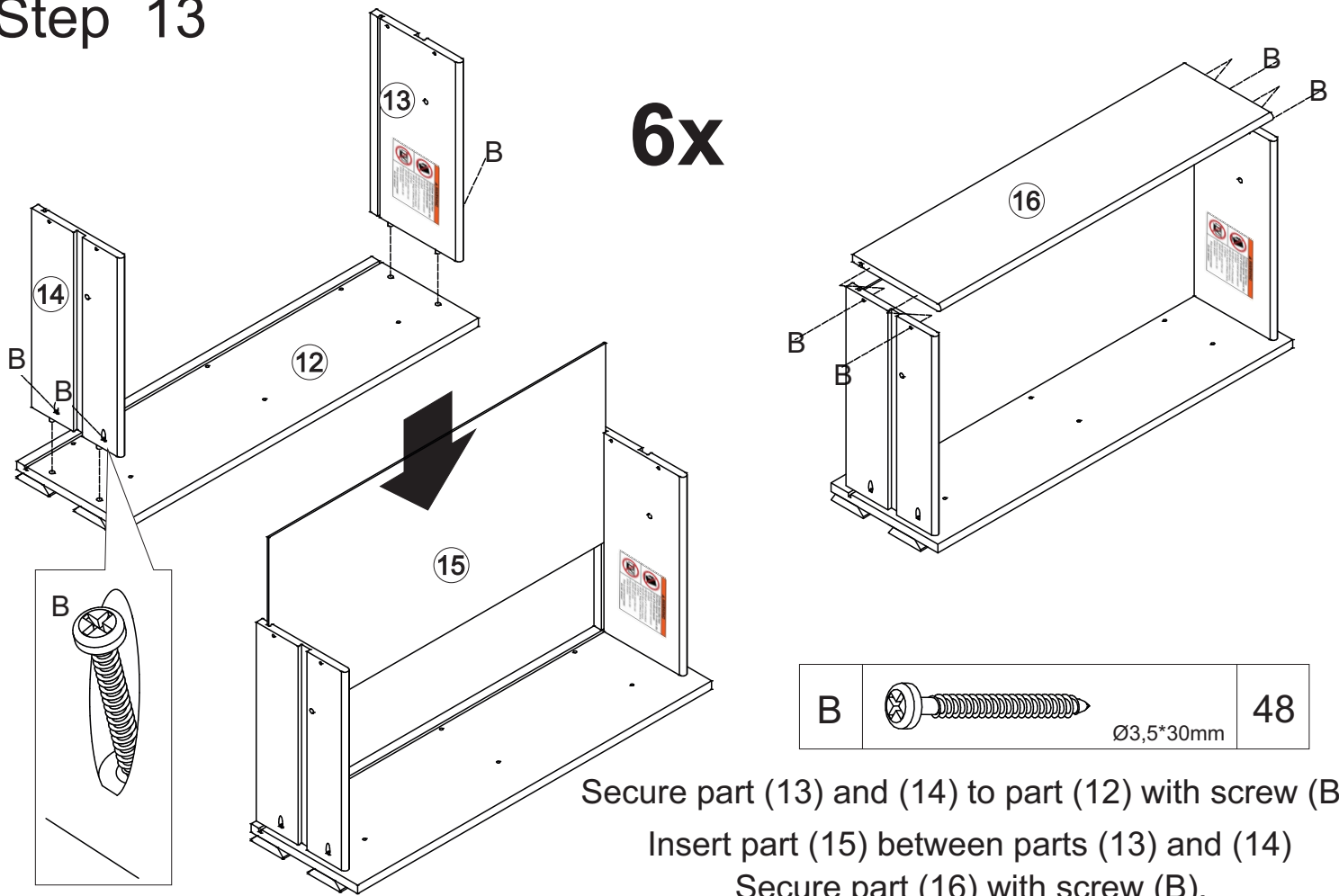
**6x**



D		Ø4*25mm	36
G		Ø8*20mm	24

Insert Wooden dowel (G) into part (11).  
Secure part (11) to part (12) with screw (D).

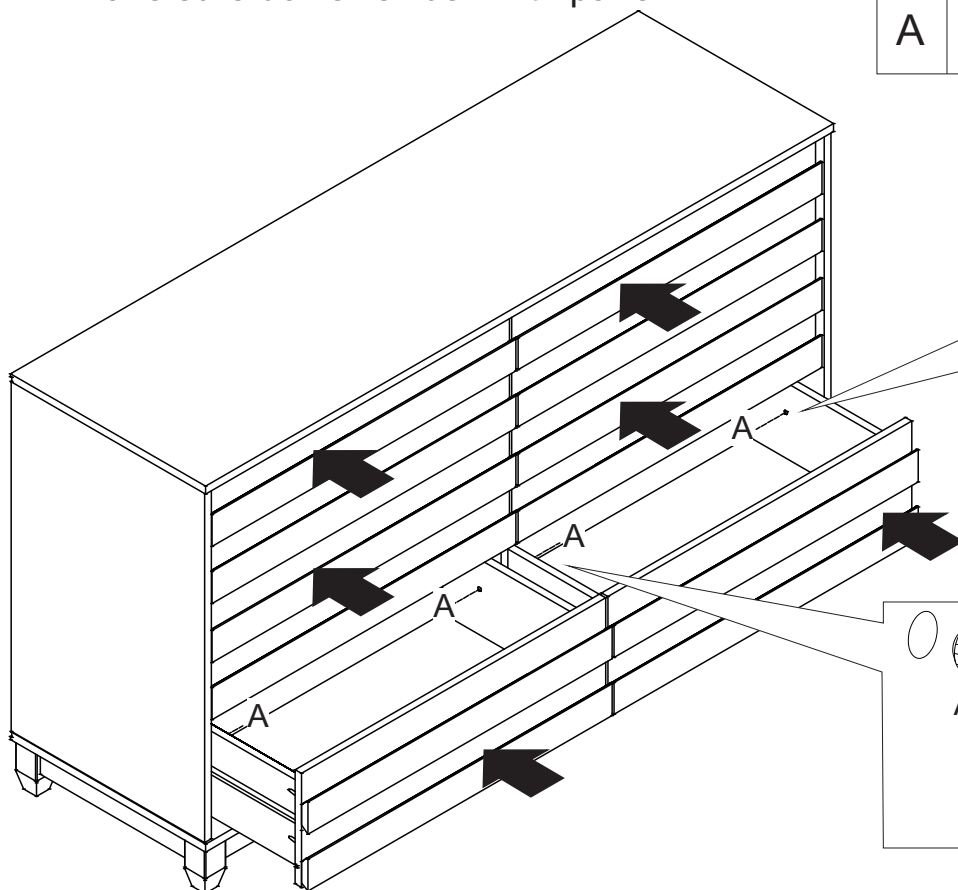
## Step 13

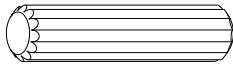


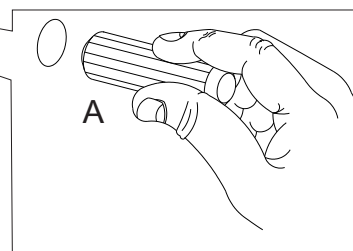
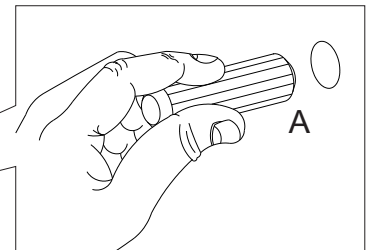
## Step 14

### Drawer Stop

Insert wood dowel (A) on the inside of all drawers while drawer is inside the unit.  
Make sure dowel is flush with panel.



A		Ø8*30mm	12
---	---	---------	----

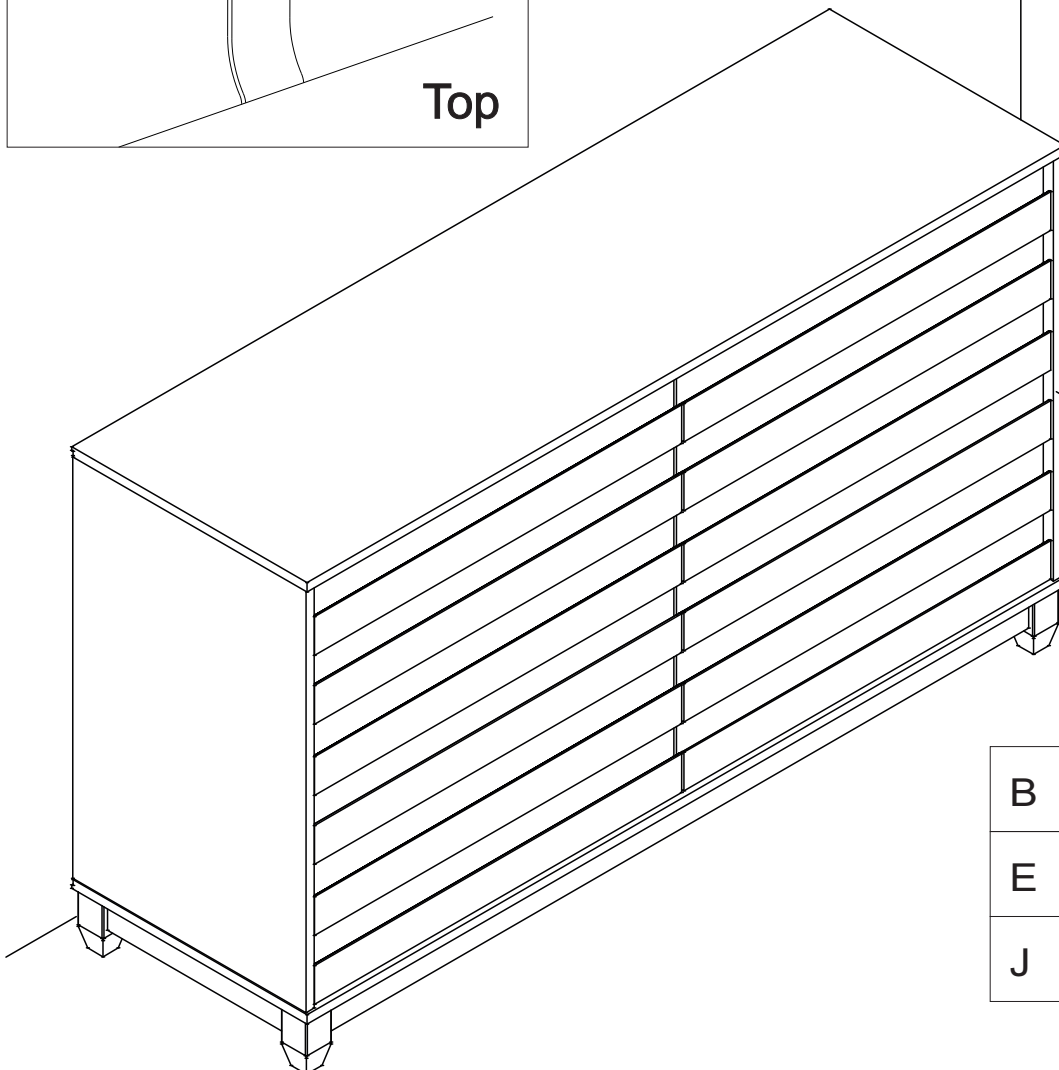
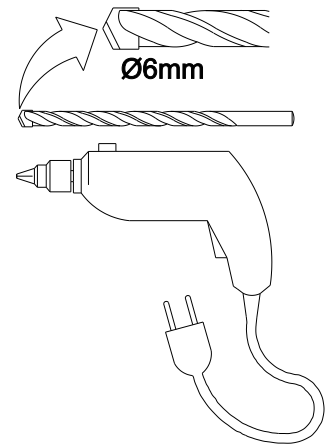
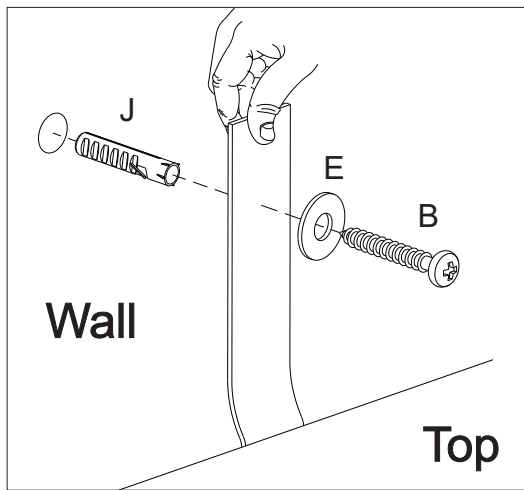





# Step 15

## WARNING

**Serious or fatal injuries can occur from furniture tipping over. To prevent the furniture from tipping over we recommend that it is permanently fixed to the wall.**

**Wall anchor and hardware are included with this product. Please make sure hardware is suitable for your walls before installing, as different wall materials may require different types of anchors.**



B	 Ø3,5*30mm	01
E		01
J		01

# Step 16

