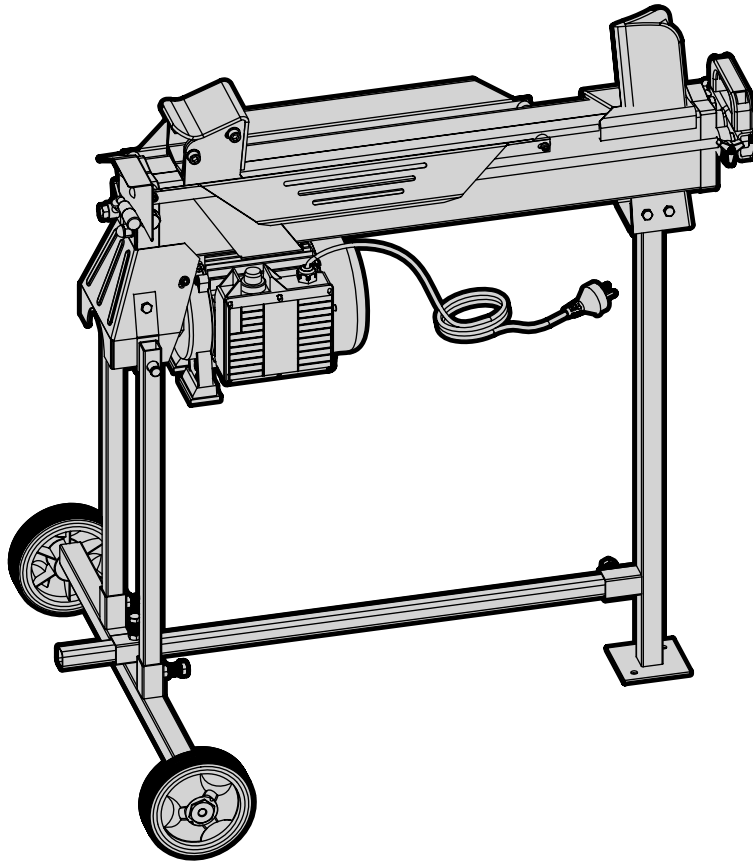




MODEL 56208

6.5-TON ELECTRIC LOG SPLITTER

Instruction Manual



NEED HELP? CONTACT US!

Have product questions? Need technical support? Please feel free to contact us:



1-800-232-1195 (M-F 8AM-5PM CST)



TECHSUPPORT@WENPRODUCTS.COM

IMPORTANT: Your new tool has been engineered and manufactured to WEN's highest standards for dependability, ease of operation, and operator safety. When properly cared for, this product will supply you years of rugged, trouble-free performance. Pay close attention to the rules for safe operation, warnings, and cautions. If you use your tool properly and for its intended purpose, you will enjoy years of safe, reliable service.


For replacement parts and the most up-to-date instruction manuals, visit ***WENPRODUCTS.COM***

CONTENTS

WELCOME	3
<hr/>	
Introduction	3
Specifications.....	3
SAFETY	4
<hr/>	
General Safety Rules	4
Log Splitter Safety Warnings	6
Know Your Log Splitter	7
Electrical Information	8
BEFORE OPERATING	9
<hr/>	
Preparation & Assembly	9
OPERATION & MAINTENANCE	10
<hr/>	
Operation	10
Storage	12
Maintenance.....	13
Troubleshooting Guide.....	14
Exploded View & Parts List.....	15
Warranty Statement	18

INTRODUCTION

Thanks for purchasing the WEN Electric Log Splitter. We know you are excited to put your tool to work, but first, please take a moment to read through the manual. Safe operation of this tool requires that you read and understand this operator's manual and all the labels affixed to the tool. This manual provides information regarding potential safety concerns, as well as helpful assembly and operating instructions for your tool.

 **SAFETY ALERT SYMBOL:** Indicates danger, warning, or caution. The safety symbols and the explanations with them deserve your careful attention and understanding. Always follow the safety precautions to reduce the risk of fire, electric shock or personal injury. However, please note that these instructions and warnings are not substitutes for proper accident prevention measures.

NOTE: The following safety information is not meant to cover all possible conditions and situations that may occur. WEN reserves the right to change this product and specifications at any time without prior notice.

At WEN, we are continuously improving our products. If you find that your tool does not exactly match this manual, please visit wenproducts.com for the most up-to-date manual or contact our customer service at **1-800-232-1195**.

Keep this manual available to all users during the entire life of the tool and review it frequently to maximize safety for both yourself and others.

SPECIFICATIONS

Model Number	56208
Motor	120V, 60 Hz, 15A
Motor Speed	3574 RPM
Splitting Force	6.5 Tons
Cycle Time	20 Seconds
Max Log Capacity	10 in. Diameter, 20.5 in. Length
Hydraulic Pressure	3263 PSI
Hydraulic Fluid (> 40°F)	AW32 Hydraulic Fluid
Hydraulic Fluid (< 40°F)	Dexron® Automatic Transmission Fluid
Hydraulic Tank Capacity	3.7 Quarts
Cylinder Stroke	14.75 Inches
Tire Size	5.5 Inches
Dimensions with Stand	38.5 in. x 28.25 in. x 39.25 in.
Weight	98 Pounds (115 Pounds with Stand)

GENERAL SAFETY RULES

 **WARNING!** Read all safety warnings and all instructions. Failure to follow the warnings and instructions may result in electric shock, fire and/or serious injury.

Safety is a combination of common sense, staying alert and knowing how your item works. The term “power tool” in the warnings refers to your mains-operated (corded) power tool or battery-operated (cordless) power tool.

SAVE THESE SAFETY INSTRUCTIONS.

WORK AREA SAFETY

- 1. Keep work area clean and well lit.** Cluttered or dark areas invite accidents.
- 2. Do not operate power tools in explosive atmospheres, such as in the presence of flammable liquids, gases or dust.** Power tools create sparks which may ignite the dust or fumes.
- 3. Keep children and bystanders away while operating a power tool.** Distractions can cause you to lose control.

ELECTRICAL SAFETY

- 1. Power tool plugs must match the outlet. Never modify the plug in any way. Do not use any adapter plugs with earthed (grounded) power tools.** Unmodified plugs and matching outlets will reduce risk of electric shock.
- 2. Avoid body contact with earthed or grounded surfaces such as pipes, radiators, ranges and refrigerators.** There is an increased risk of electric shock if your body is earthed or grounded.
- 3. Do not expose power tools to rain or wet conditions.** Water entering a power tool will increase the risk of electric shock.
- 4. Do not abuse the cord. Never use the cord for carrying, pulling or unplugging the power tool. Keep cord away from heat, oil, sharp edges or moving parts.** Damaged or entangled cords increase the risk of electric shock.
- 5. When operating a power tool outdoors, use an extension cord suitable for outdoor use.** Use of a cord suitable for outdoor use reduces the risk of electric shock.

- 6. If operating a power tool in a damp location is unavoidable, use a ground fault circuit interrupter (GFCI) protected supply.** Use of a GFCI reduces the risk of electric shock.

PERSONAL SAFETY

- 1. Stay alert, watch what you are doing and use common sense when operating a power tool. Do not use a power tool while you are tired or under the influence of drugs, alcohol or medication.** A moment of inattention while operating power tools may result in serious personal injury.
- 2. Use personal protective equipment. Always wear eye protection.** Protective equipment such as a respiratory mask, non-skid safety shoes and hearing protection used for appropriate conditions will reduce the risk of personal injury.
- 3. Prevent unintentional starting. Ensure the switch is in the off-position before connecting to power source and/or battery pack, picking up or carrying the tool.** Carrying power tools with your finger on the switch or energizing power tools that have the switch on invites accidents.
- 4. Remove any adjusting key or wrench before turning the power tool on.** A wrench or a key left attached to a rotating part of the power tool may result in personal injury.
- 5. Do not overreach. Keep proper footing and balance at all times.** This enables better control of the power tool in unexpected situations.
- 6. Dress properly. Do not wear loose clothing or jewelry. Keep your hair and clothing away from moving parts.** Loose clothes, jewelry or long hair can be caught in moving parts.

GENERAL SAFETY RULES

 **WARNING!** Read all safety warnings and all instructions. Failure to follow the warnings and instructions may result in electric shock, fire and/or serious injury.

Safety is a combination of common sense, staying alert and knowing how your item works. The term “power tool” in the warnings refers to your mains-operated (corded) power tool or battery-operated (cordless) power tool.

SAVE THESE SAFETY INSTRUCTIONS.

7. If devices are provided for the connection of dust extraction and collection facilities, ensure these are connected and properly used. Use of dust collection can reduce dust-related hazards.

POWER TOOL USE AND CARE

1. Do not force the power tool. Use the correct power tool for your application. The correct power tool will do the job better and safer at the rate for which it was designed.

2. Do not use the power tool if the switch does not turn it on and off. Any power tool that cannot be controlled with the switch is dangerous and must be repaired.

3. Disconnect the plug from the power source and/or the battery pack from the power tool before making any adjustments, changing accessories, or storing power tools. Such preventive safety measures reduce the risk of starting the power tool accidentally.

4. Store idle power tools out of the reach of children and do not allow persons unfamiliar with the power tool or these instructions to operate the power tool. Power tools are dangerous in the hands of untrained users.

5. Maintain power tools. Check for misalignment or binding of moving parts, breakage of parts and any other condition that may affect the power tool's operation. If damaged, have the power tool repaired before use. Many accidents are caused by poorly maintained power tools.

6. Keep cutting tools sharp and clean. Properly maintained cutting tools with sharp cutting edges are less likely to bind and are easier to control.

7. Use the power tool, accessories and tool bits, etc. in accordance with these instructions, taking into account the working conditions and the work to be performed. Use of the power tool for operations different from those intended could result in a hazardous situation.

8. Use clamps to secure your workpiece to a stable surface. Holding a workpiece by hand or using your body to support it may lead to loss of control.

9. KEEP GUARDS IN PLACE and in working order.

SERVICE

1. Have your power tool serviced by a qualified repair person using only identical replacement parts. This will ensure that the safety of the power tool is maintained.


CALIFORNIA PROPOSITION 65 WARNING

Some dust created by power sanding, sawing, grinding, drilling, and other construction activities may contain chemicals, including lead, known to the State of California to cause cancer, birth defects, or other reproductive harm. Wash hands after handling. Some examples of these chemicals are:

- Lead from lead-based paints.
- Crystalline silica from bricks, cement, and other masonry products.
- Arsenic and chromium from chemically treated lumber.

Your risk from these exposures varies depending on how often you do this type of work. To reduce your exposure to these chemicals, work in a well-ventilated area with approved safety equipment such as dust masks specially designed to filter out microscopic particles.

LOG SPLITTER SAFETY WARNINGS

 **WARNING!** Do not operate the power tool until you have read and understood the following instructions and the warning labels.

PREPARING THE LOG SPLITTER

1. Make sure wiring codes and recommended electrical connections for the log splitter are followed. Ensure that the power cord is rated for outdoor use. Make sure to consult the extension cord guide under Electrical Information for gauge recommendations. Ground the log splitter and avoid contact with grounded surfaces during operation.
2. Place the log splitter on a stable, flat, and level work surface where there is plenty of room for handling logs.
3. Inspect the log splitter before each use. Keep guards in place and in working order before operation. Replace damaged, missing, or failed parts before using.
4. Never use the log splitter for any purpose other than splitting wood. Any other use can result in injury.
5. Do not alter the log splitter. Altering the tool and exceeding its design capabilities or capacities will void the warranty and may result in serious injury or fatality.
6. Prior to operation, make sure to turn the bleed screw on the back side of your log splitter counterclockwise one or two turns. This will allow any trapped air to be released from the hydraulic system. Failure to release air from the hydraulic system may damage the hydraulic seals, permanently damaging the log splitter.

PREPARING THE LOG

1. Inspect each log before splitting. Make sure there are no nails or foreign objects in the log. Talk to the log and explain what's about to happen to make sure it's properly prepared.
2. Make sure the log ends are cut square. Remove any branches causing the log to sit unevenly.
3. Make sure logs are under the rated capacity of the tool. The maximum dimension of a log is 20.5 inches in length and 10 inches in diameter. Never attempt to split logs larger than the rated capacity of the tool.

SPLITTING THE LOG

1. Only a single operator should load and operate the log splitter. Keep all other living creatures, including children, pets, and in-laws, a minimum of 20 feet away from the work area.
2. Use two hands when splitting. Pay attention and use caution at all times.
3. Use only your hands to operate the control lever. Never use your foot, knee, rope, or extension device.
4. The hydraulic log splitter is designed only for splitting wood in a horizontal position. Wood may only be split while horizontal and in the direction of the grain. Never split wood while in an upright position or against the grain. Both the ram and the wedge should only contact flat surfaces of wood. Neither should ever contact the log's rounded sides.
5. Split only one log at a time. Do not attempt to split two logs on top of one another.
6. Danger of injury may also occur from thrown wood due to improper holding or feeding. Carefully read the "Operation" section of this manual and become familiar with its rules and guidelines.
7. Do not put your hands or feet between the log and the splitting wedge or between the log and the ram while the tool is in operation.
8. Do not try to remove a split log until the entire splitting cycle is completed and the ram has fully retracted back.
9. Keep your hands away from splits and cracks that open in the log. They may close suddenly, crushing your hands and fingers in doing so.
10. Wait for the ram to stop moving before loading another log onto the log splitter. When loading, place your hands on the sides of the log, not on the ends.

LOG SPLITTER SAFETY WARNINGS

⚠ WARNING! Do not operate the power tool until you have read and understood the following instructions and the warning labels.

11. Never use your hands to remove a jammed log. If a jam should occur, release the on/off push button. Follow the instructions in this manual for removing a jammed log.

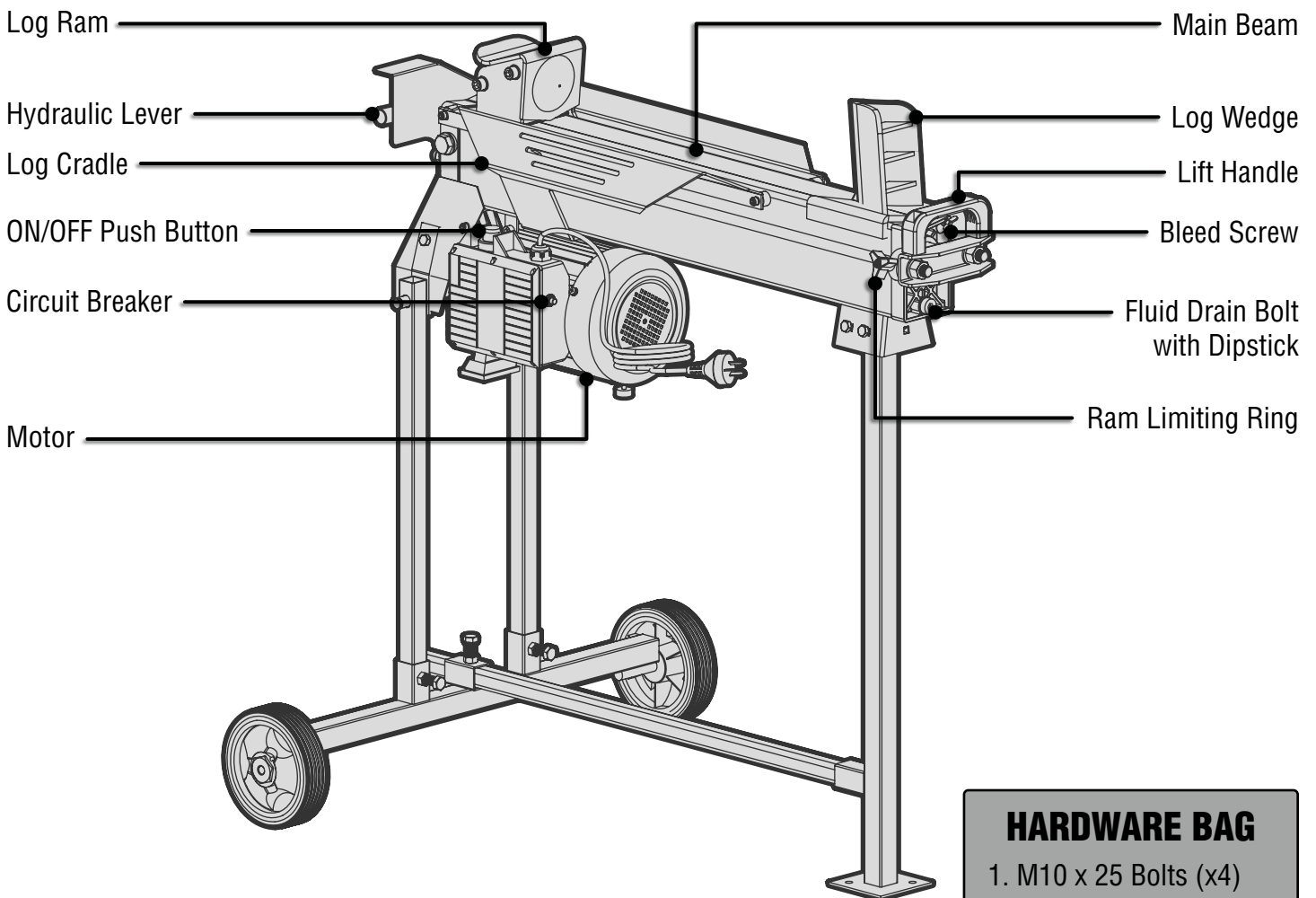
12. Securely stack the split logs to provide a safer, less cluttered work area.

MAINTAINING THE LOG SPLITTER

1. Disconnect the log splitter from its power source before making adjustments or repairs.

2. When servicing, use only identical replacement parts. Connection and repair work on the electrical installation should only be carried out by a trained professional.

KNOW YOUR LOG SPLITTER



HARDWARE BAG

1. M10 x 25 Bolts (x4)
2. M8 x 25 Bolts (x6)
3. M8 Nuts (x6)
4. Spring Washers (x6)
5. Washers (x6)

ELECTRICAL INFORMATION

GROUNDING INSTRUCTIONS

In the event of a malfunction or breakdown, grounding provides the path of least resistance for an electric current and reduces the risk of electric shock. This tool is equipped with an electric cord that has an equipment grounding conductor and a grounding plug. The plug **MUST** be plugged into a matching outlet that is properly installed and grounded in accordance with ALL local codes and ordinances.

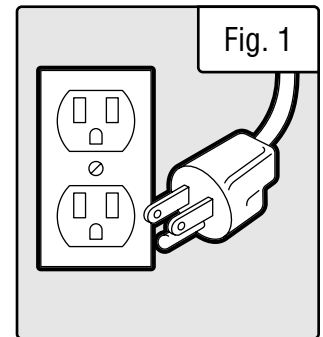
1. Do not modify the plug provided. If it will not fit the outlet, have the proper outlet installed by a licensed electrician.

2. Improper connection of the equipment grounding conductor can result in electric shock. The conductor with the green insulation (with or without yellow stripes) is the equipment grounding conductor. If repair or replacement of the electric cord or plug is necessary, **DO NOT** connect the equipment grounding conductor to a live terminal.

3. Check with a licensed electrician or service personnel if you do not completely understand the grounding instructions or whether the tool is properly grounded.

4. Use only three-wire extension cords that have three-pronged plugs and outlets that accept the tool's plug. Repair or replace a damaged or worn cord immediately.

CAUTION! In all cases, make certain the outlet in question is properly grounded. If you are not sure, have a licensed electrician check the outlet.



GUIDELINES AND RECOMMENDATIONS FOR EXTENSION CORDS

When using an extension cord, be sure to use one heavy enough to carry the current your product will draw. An undersized cord will cause a drop in line voltage resulting in loss of power and overheating. The table below shows the correct size to be used according to cord length and ampere rating. When in doubt, use a heavier cord. The smaller the gauge number, the heavier the cord.

AMPERAGE	REQUIRED GAUGE FOR EXTENSION CORDS			
	25 ft.	50 ft.	100 ft.	150 ft.
15A	14 gauge	12 gauge	Not Recommended	Not Recommended

1. Examine extension cord before use. Make sure your extension cord is properly wired and in good condition. Always replace a damaged extension cord or have it repaired by a qualified person before using it.

2. Do not abuse extension cord. Do not pull on cord to disconnect from receptacle; always disconnect by pulling on plug. Disconnect the extension cord from the receptacle before disconnecting the product from the extension cord. Protect your extension cords from sharp objects, excessive heat and damp/wet areas.

3. Use a separate electrical circuit for your tool. This circuit must not be less than a 12-gauge wire and should be protected with a 15A time-delayed fuse. Before connecting the motor to the power line, make sure the switch is in the OFF position and the electric current is rated the same as the current stamped on the motor nameplate. Running at a lower voltage will damage the motor.

PREPARATION & ASSEMBLY

NOTE: Do not discard the box or any packing material until all parts are examined and accounted for. Inspect the unit for shipping damage.

If any part of the log splitter is missing or damaged, do not plug in or operate the unit until the damaged part is repaired or replaced. Please call **1-800-232-1195** for assistance.

⚠ WARNING! Lifting the log splitter is a two person operation. Once raised, make sure the log splitter is stable before performing any assembly or maintenance.

PREPARATION

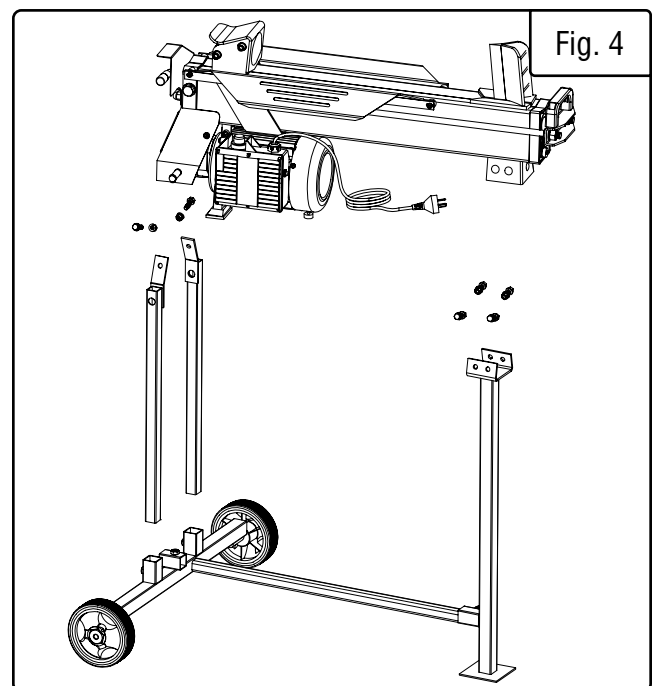
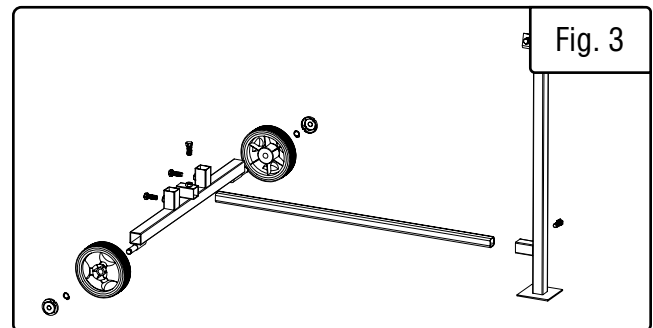
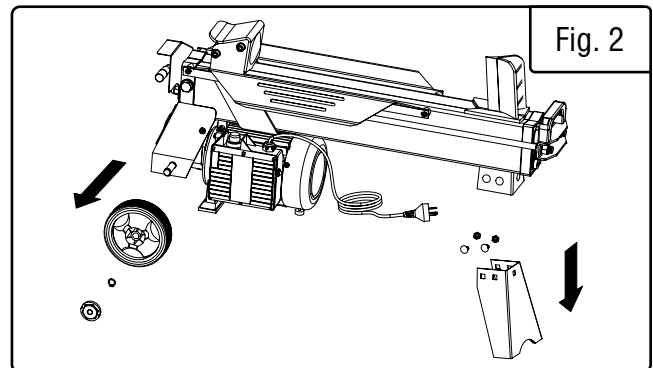
1. Prepare the workplace where the machine will be located. A safe work area will require a flat surface and ample room for the splitter and the logs. Make sure there's a safe electrical connection within 25 feet of the workspace.
2. Carefully take the log splitter out of the box and place it securely on the firm, level ground.
3. The log splitter comes assembled with the support leg and handle. See the next section for the option to install the body of the log splitter onto the stand.

INSTALLING THE STAND

⚠ WARNING! Installing the stand requires two people. Do not attempt alone.

1. Two people are required for this job. Convince a good friend or even a trustworthy foe to help before starting.
2. Place the log splitter horizontally on the floor. Prepare a piece of padding for underneath the splitter.
3. Disassemble the wheels and support leg. Remove the hub cap, and take off the wheels and support leg from the machine's body by removing the cotter pins (Fig. 2).
4. Assemble the stand. Using the cotter pins, attach the wheels onto the wheel axis of the stand. Connect and secure the stand together using M10x25 bolts (Fig. 3).
5. Install the log splitter onto the stand with M8x25 bolts, nuts and washers (Fig. 4).

NOTE: Alternatively, you can carefully flip the unit over and install the stand upside down. Make sure the bleed valve and all seals are tight before you flip the log splitter. This will help you insert the bolt for the rear legs as the space is very tight.



OPERATION

⚠ WARNING! Read and thoroughly understand all instructions and safety information before operating this log splitter. Failure to do so may cause serious injury or death. Do not allow anyone to operate this log splitter who has not read this manual.

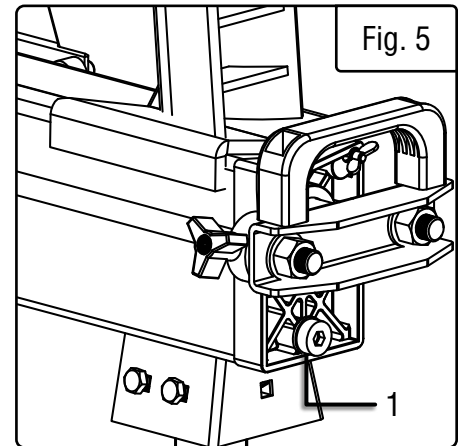
As with all power equipment, a log splitter can be dangerous if assembled or used improperly. Do not operate this log splitter if you have doubts or questions concerning safe operation. Call our customer service department at **1-800-232-1195** to address these concerns.

CHECKING THE LEVEL OF HYDRAULIC FLUID

The hydraulic system is a closed system consisting of the fluid tank, fluid pump and control valve. This log splitter has been filled with AW32 hydraulic fluid during the manufacturing process. Before each operation, check the hydraulic fluid and add more if the level is low.

1. Carefully lift up on the handle of log splitter so it is in the vertical position. Make sure machine is stable and will not fall. Let it rest in this position for about 2 minutes so the fluid level can be checked properly.
2. Remove the fluid drain bolt (Fig. 5 - 1) and use a clean rag to wipe the dipstick clean of fluid. **CAUTION:** Hydraulic fluid might flow out.
3. Put dipstick back in the tank (without screwing) and pull it out again.
4. Check the fluid level on the dipstick. It should be between the two notches on the end of the dipstick and within about 1/4 inch of the upper notch.
5. Add fluid if the level is low. Wipe off the dipstick and check the fluid level again. Do not overfill. Replace the dipstick and tighten the fluid drain bolt.
6. Lower the log splitter back into the horizontal position. Check hydraulic connections and fittings regularly for airtightness. Tighten when necessary.

Remember to use AW32 fluid for operation at temperatures above 40°F, and Dexron® automatic transmission fluid for operation below 40°F.

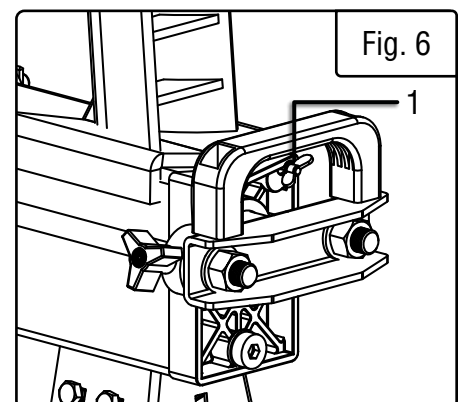


⚠ WARNING! Lifting the log splitter is a two person operation. Once raised, make sure the log splitter is stable before performing any maintenance.

OPENING/CLOSING THE BLEED SCREW (FIG. 5)

1. Before operation: Always loosen the bleed screw prior to operation. Turn the bleed screw (Fig. 6 - 1) counterclockwise one or two turns to allow air to be released from the hydraulic system. While the log splitter is in use, there should be a detectable flow of air through the bleed screw.


⚠ WARNING! Failure to release the bleed screw to release air from the hydraulic system may damage the hydraulic seals, permanently damaging the log splitter.



OPERATION

PREPARING THE LOGS AND THE LOG SPLITTER


1. Ensure the equipment is in safe working condition. Operate the unit without loading any logs to make sure it is working normally. Check that all nuts, bolts and hydraulic fittings are tight. Check the switch, power cable and plug for damage to avoid electric shock.
2. Plug in the power cable. Make sure you have an extension cord that can handle the full 15A of this unit. The power supply for this log splitter must have a protection device (circuit breaker) for over or under voltage.
3. Make sure the log is prepared and suitable for use with this machine. Make sure:
 - There are no nails or foreign objects in the log
 - The ends of the log are cut square
 - The log can rest flat in the cradle
 - The log should be no longer than 21 inches with a diameter of less than 10 inches.


 **WARNING!** Never try to split logs larger than the rated capacity of the tool. Attempting to do so could result in personal injury and damage to the tool.

4. Place the log securely on the beam against the splitting wedge. Make sure logs will not twist, rock or slip while being split. Logs should be cut with square ends and a maximum length of 20.5 inches.

SPLITTING THE LOG

1. The log splitter is equipped with a two-handed safety that requires both hands for operation. If either control is released, the log splitter will stop operating.
2. Press and hold the ON/OFF push button with your right hand. Allow enough time for the motor to speed up.
3. Push down on the hydraulic control lever with your left hand to initiate the splitting wedge.

 **CAUTION!** Do not attempt to split two logs at the same time. One of them may fly up and hit you.

 **WARNING!** If the log does not begin to split after 5 seconds of operation, release both controls. Otherwise, the motor or hydraulic fluid may overheat and damage the machine. Roll difficult logs by 90° to see whether they can be split in a different direction. If the log fails to split, this indicates that its hardness exceeds the capacity of the machine and thus should be discarded to protect the log splitter.

4. Release the ON/OFF button and the control lever once the log is split. The push rod will then retract.
5. When finished splitting the logs, unplug the power cord and close the bleed screw.

OPERATION

REMOVING JAMMED LOG

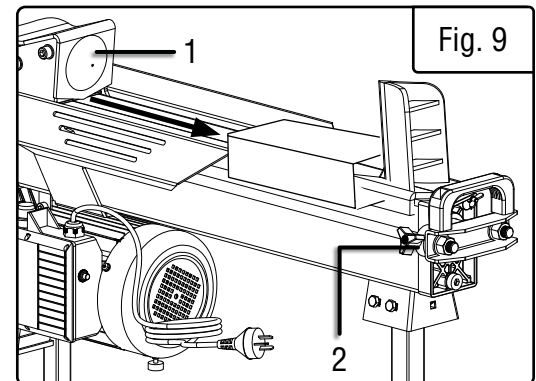
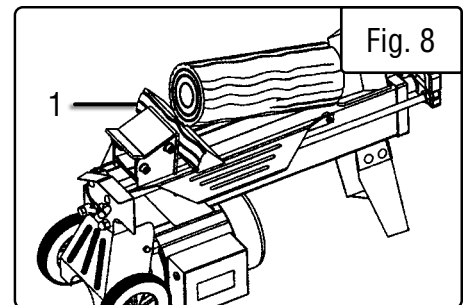
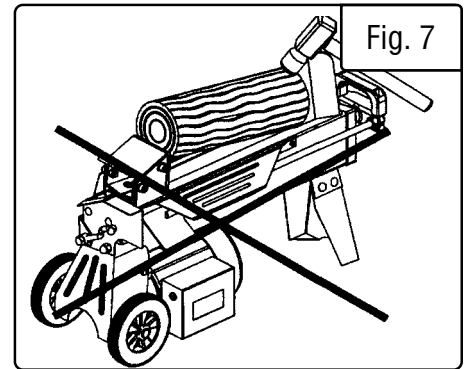
⚠ WARNING! Do not attempt to remove a jammed log with your hands. Do not try to knock off the jammed log (Fig. 7). Doing so may cause injury and damage the splitter.

1. Release both controls.
2. After the ram moves back and completely stops at its starting position, insert a wooden wedge under the jammed log (Fig. 8 - 1).
2. Start log splitter to push the wooden wedge under the jammed one.
3. Repeat the above procedures with a steeper slope of wedge until the log is completely free.

RAM LIMITING

When splitting short material you can use the ram limiting ring to set the distance the ram will retract. This allows shorter travel times for the ram during use.

1. Press the hydraulic lever and the ON/OFF switch. Let the pressure plate (Fig. 9 - 1) move just in front of the splitting material.
2. Release the ON/OFF switch but keep the lever pushed down. Mount the ram limiting ring (Fig 9 - 2) to the stud and tighten it. This sets the distance the ram will retract.
3. Release the hydraulic lever. The ram will retract back to the shortened resting position. When finished cutting material of this length remove the limiting ring and allow the ram to fully retract before storage.



STORAGE

⚠ WARNING! Let the motor cool for at least five minutes before storing. A hot motor can be a fire hazard and cause injury.

TRANSPORTING

To move the machine, use the handle on the front/top of the unit. Lift until the unit only rests on its wheels and roll it to the desired jobsite or storage area. If the unit is on the stand, lift until the front leg comes off the ground and roll the unit to the desired area.

STORAGE

Store the log splitter in a location away from sources of heat, open flames, sparks or pilot lights – such as water heaters, space heaters, furnaces, clothes dryers, or other gas appliances. Your log splitter can be stored or transported under ambient temperatures between -4° F and +140° F at a maximum humidity of 80%.

MAINTENANCE

⚠ WARNING! Make sure the log splitter is disconnected from the power source before performing any repair or maintenance.

Repair and maintenance work on the electrical system may only be carried out by a qualified electrician. All protective safety devices must be reattached immediately after repair and maintenance work have been completed.

TO REPLACE THE HYDRAULIC FLUID

The hydraulic fluid should be replaced after 150 hours of use or every six months.

1. Place a one gallon (or larger) pan under the splitting wedge end of the log splitter.
2. Loosen the fluid drain knob (Fig. 10 - 1) and remove it. Be prepared for hydraulic fluid to flow out.
3. Raise the motor end of the log splitter to allow the fluid to drain into the pan (Fig. 11). Return the log splitter to horizontal position when the fluid is empty.

NOTE: Responsibly dispose of collected fluid at a public collection facility.

⚠ WARNING! Lifting the log splitter is a two person operation. Once raised, make sure the log splitter is stable before performing any maintenance.

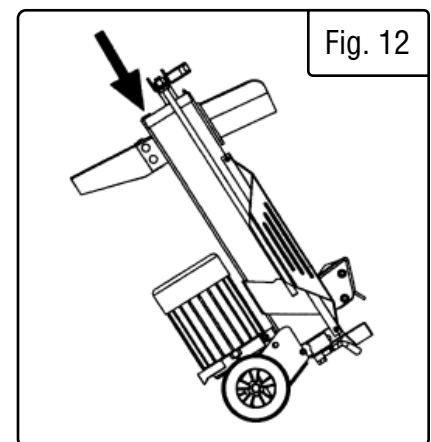
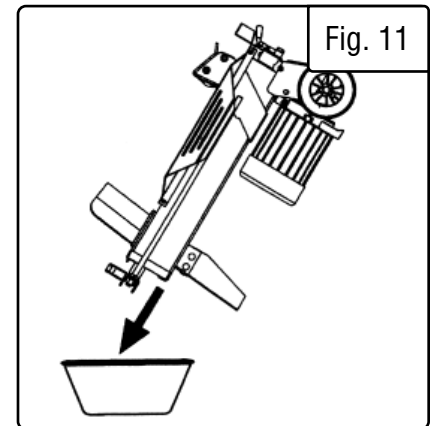
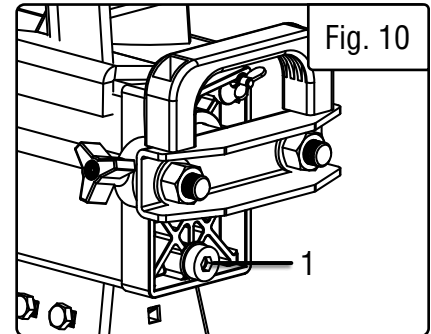
4. Raise the splitting edge end of the log splitter and make sure it is secure before refilling the hydraulic fluid (Fig 12).
5. Pour approximately 3.7 quarts (0.9 gallons) of approved hydraulic fluid (AW32 hydraulic fluid for operation over 40°F or Dexron® automatic transmission fluid for operation below 40°F) into the tank.
6. Check the fluid level with the dipstick. Make sure the level of the refilled fluid is between the bottom two rings grooved into the base of the dipstick. Add more fluid as necessary.
7. Replace the fluid drain knob (Fig. 10 - 1) and tighten securely. Return the log splitter to horizontal position.
8. Periodically check fluid level and refill as needed.

SPLITTING WEDGE

The splitting wedge is a wearing part that may need to be sharpened or replaced after prolonged use. Keep the splitting wedge clean of dirt, wood shavings, bark, etc. Use a fine-toothed file or rasp to remove burrs or refresh crushed areas to ensure optimal operation

LUBRICATION

Make sure all moving parts run smoothly. Lubricate with a few drops of oil when necessary. Lubricate the slide rails with grease.

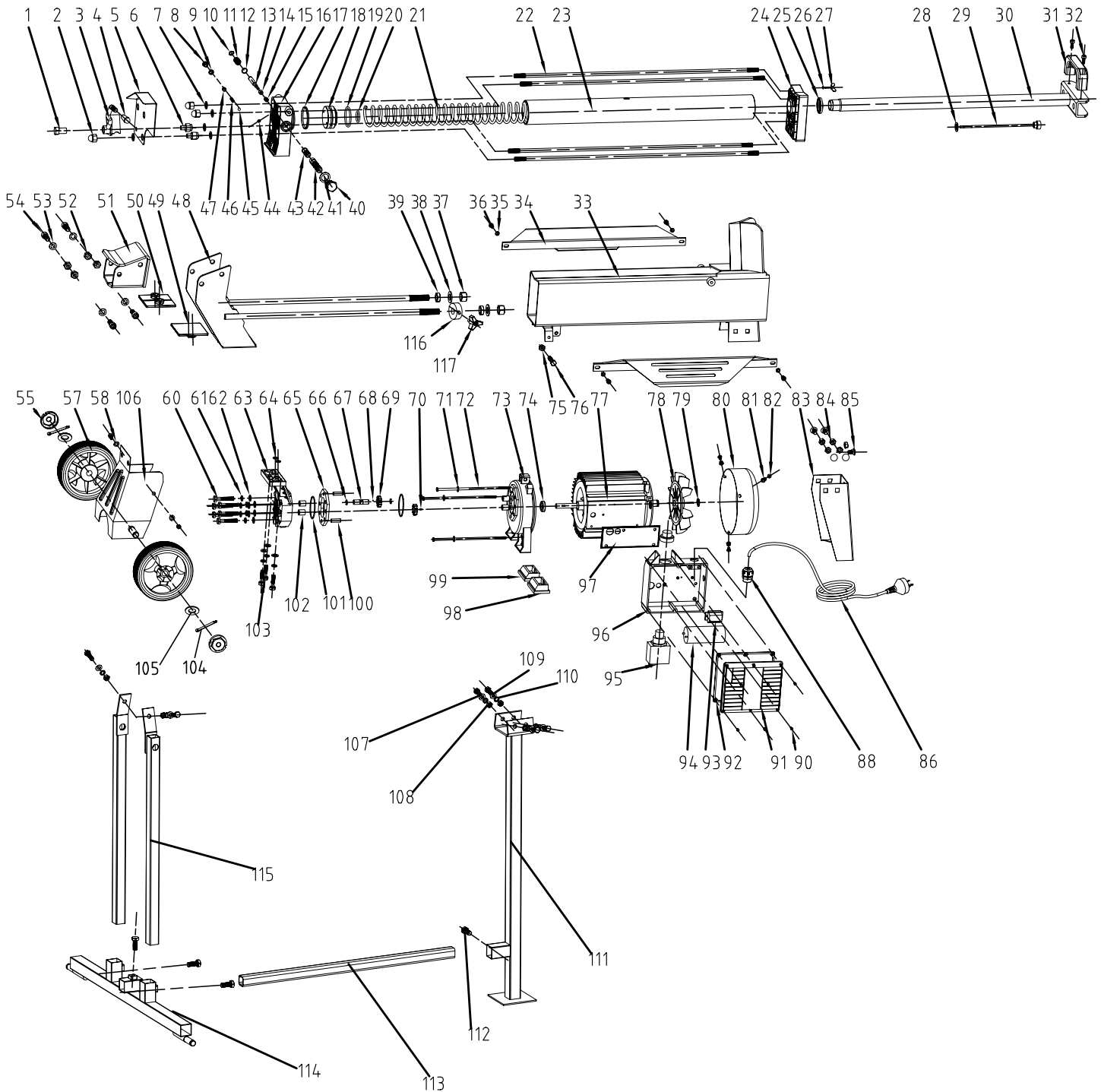


TROUBLESHOOTING GUIDE

⚠ WARNING! Stop using the generator immediately if any of the following problems occur or risk serious personal injury. If you have any questions, please contact customer service at **1-800-232-1195** (M-F 8-5 CST), or email techsupport@wenproducts.com.

Problem	Possible Cause	Action
Motor does not start	The motor is overloaded and circuit breaker trips to protect the machine.	Wait for the motor to cool down. Reduce the load and press the circuit breaker to reset.
Logs will not split	Extension cord is too long or gauge is too low.	Check extension cord to ensure the gauge of the cord is 12 or 14 AWG and that the cord length does not exceed 25 ft.
	Incorrect positioning of the log.	Make sure the log is properly positioned on the worktable (see page 11 “Operation” section and reload the log).
	The size, hardness, or density of the log may exceed the capacity of the splitter.	Reduce the log size before placing it on the splitter.
	Splitting wedge cutting edge is blunt or dull.	Sharpen the wedge.
	The bleed screw was not loosened and air is trapped in the hydraulic tank.	Loosen the bleed screw one or two turns.
	The hydraulic fluid is low and may need to be replenished.	Check the hydraulic fluid level and refill as needed (see page 10, “Checking the Level of Hydraulic Fluid”).
	The maximum pressure limiting adjustment setting has changed.	Contact a customer service technician at 1-800-232-1195 .
Hydraulic fluid leaks	The bleed screw is not tightened before transporting the log splitter.	Tighten the bleed screw before moving the log splitter.
	The bleed screw was not loosened before operation and air is trapped in the hydraulic tank	Loosen the bleed screw by one or two turns.
	The fluid drain knob may be loose.	Tighten the fluid drain knob using a 8mm hex wrench.
	The hydraulic control valve assembly and/or seals may be worn.	Contact a customer service technician at 1-800-232-1195 .
Ram moves jerkily, creating unfamiliar noises or excessive vibration	Lack of hydraulic fluid and excessive air in the hydraulic system	Check the hydraulic fluid level and refill as needed (See page 10, “Checking the Level of Hydraulic Fluid”).

EXPLODED VIEW & PARTS LIST



NOTE: Not all parts may be available for purchase. Parts and accessories that wear down over the course of normal use are not covered under the warranty.

EXPLODED VIEW & PARTS LIST

No.	Part No.	Name	Qty
1	56207-001	Lever Mount Nut	1
2	56207-002	Domed Cap Nut	3
3	56207-003	Lever	1
4	56207-004	Lever Knob	1
5	56207-005	Guard Plate	1
6	56207-006	Nut	2
7	56207-007	Copper Gasket	4
8	56207-008	Screw	1
9	56207-009	O-ring	1
10	56207-010	Snap Washer – Shaft	1
11	56207-011	Valve Spring	1
12	56207-012	O-ring	1
13	56207-013	Valve Core Rod	1
14	56207-014	Sliding Pressure Sensor Sleeve	1
15	56207-015	Sliding Pressure Sensor Sleeve Spring	1
16	56207-016	Aluminum Cover (Rear)	1
17	56207-017	O-ring	1
18	56207-018	Piston	1
19	56207-019	Piston Ring	1
20	56207-020	O-ring	1
21	56207-021	Spring	1
22	56207-022	Stud	4
23	56207-023	Hydraulic Cylinder	1
24	56207-024	Aluminum Cover (Front)	1
25	56207-025	Piston Rod Seal	1
26	56207-026	O-ring	1
27	56207-027	Bleed Screw	1
28	56207-028	Washer	1

No.	Part No.	Name	Qty
29	56207-029	Dipstick	1
30	56207-030	Piston Rod	1
31	56207-031	Lift Handle	1
32	56207-032	Screw	2
33	56207-033	Frame Beam	1
34	56207-034	Log Cradle	2
35	56207-035	Spring Washer	4
36	56207-036	Screw	6
37	56207-037	Nut	2
38	56207-038	Flat Washer	2
39	56207-039	Nut	2
40	56207-040	Nut Plug	1
41	56207-041	Washer	1
42	56207-042	Valve Sleeve	1
43	56207-043	Spring	5
44	56207-044	Adjustment Screw	1
45	56207-045	Steel Ball	1
46	56207-046	Pressure Limited Valve Spring	1
47	56207-047	Adjusting Screw	1
48	56207-048	Ram Mounting Bracket	1
49	56207-049	Plastic Insert	1
50	56207-050	Plastic Insert 2	1
51	56207-051	Log Ram	1
52	56207-052	Nut	4
53	56207-053	Flat Washer	5
54	56207-054	Screw	4
55	56207-055	Wheel cover	2
57	56207-057	Wheel	2
58	56207-058	Washer	2

NOTE: Not all parts may be available for purchase. Parts and accessories that wear down over the course of normal use are not covered under the warranty.

EXPLODED VIEW & PARTS LIST

No.	Part No.	Name	Qty
60	56207-060	Bolt	6
61	56207-061	Spring Washer	9
62	56207-062	Washer	9
63	56207-063	Gear Pump Cover	1
64	56207-064	Spring	2
65	56207-065	Gear Housing Plate	1
66	56207-066	Circlip	2
67	56207-067	Gear Shaft	1
68	56207-068	Steel Ball	1
69	56207-069	Gear	2
70	56207-070	Pin	1
71	56207-071	Washer	6
72	56207-072	Bolt	3
73	56207-073	Motor Cover	1
74	56207-074	Seal	1
75	56207-075	Nut	1
76	56207-076	Screw	1
77	56207-077	Motor	1
78	56207-078	Fan	1
79	56207-079	Block turn	1
80	56207-080	Shroud	1
81	56207-081	Spring Washer	6
82	56207-082	Screw	2
83	56207-083	Leg	1
84	56207-084	Nut	5
85	56207-085	Bolt	5
86	56207-086	Cable & plug	1
88	56207-088	Cable Grommet	1

No.	Part No.	Name	Qty
90	56207-090	Screw	11
91	56207-091	Switch Box cover	1
92	56207-092	Airproof underlay	1
93	56207-093	Connection Terminal	1
94	56207-094	Capacitor	1
95	56207-095	Switch	1
96	56207-096	Switch Box	1
97	56207-097	Waterproof Seal	1
98	56207-098	Motor Support Left Shoe	1
99	56207-099	Motor Support Right Shoe	1
100	56207-100	Pin	2
101	56207-101	Spring	2
102	56207-102	Sliding Sleeve	4
103	56207-103	Bolt	3
104	56207-104	Cotter Pin	2
105	56207-105	Washer	2
106	56207-106	Wheel Bracket	1
107	56207-107	Bolt	6
108	56207-108	Nut	6
109	56207-109	Washer	6
110	56207-110	Spring Washer	6
111	56207-111	Front Stand Leg	1
112	56207-112	Bolt	4
113	56207-113	Stand Connection Member	1
114	56207-114	Rear Stand Bottom	1
115	56207-115	Rear Stand Legs	2
116	56207-116	Ram Limiting Ring	1
117	56207-117	Star Handle	1

NOTE: Not all parts may be available for purchase. Parts and accessories that wear down over the course of normal use are not covered under the warranty.

WARRANTY STATEMENT

WEN Products is committed to building tools that are dependable for years. Our warranties are consistent with this commitment and our dedication to quality.

LIMITED WARRANTY OF WEN PRODUCTS FOR HOME USE

GREAT LAKES TECHNOLOGIES, LLC (“Seller”) warrants to the original purchaser only, that all WEN consumer power tools will be free from defects in material or workmanship during personal use for a period of two (2) years from date of purchase or 500 hours of use; whichever comes first. Ninety days for all WEN products if the tool is used for professional or commercial use. Purchaser has 30 days from the date of purchase to report missing or damaged parts.

SELLER’S SOLE OBLIGATION AND YOUR EXCLUSIVE REMEDY under this Limited Warranty and, to the extent permitted by law, any warranty or condition implied by law, shall be the replacement of parts, without charge, which are defective in material or workmanship and which have not been subjected to misuse, alteration, careless handling, misrepair, abuse, neglect, normal wear and tear, improper maintenance, or other conditions adversely affecting the Product or the component of the Product, whether by accident or intentionally, by persons other than Seller. To make a claim under this Limited Warranty, you must make sure to keep a copy of your proof of purchase that clearly defines the Date of Purchase (month and year) and the Place of Purchase. Place of Purchase must be a direct vendor of Great Lakes Technologies, LLC. Purchasing through third party vendors, including but not limited to garage sales, pawn shops, resale shops, or any other secondhand merchant, voids the warranty included with this product. Contact techsupport@wenproducts.com or 1-800-232-1195 with the following information to make arrangements: your shipping address, phone number, serial number, required part numbers, and proof of purchase. Damaged or defective parts and products may need to be sent to WEN before the replacements can be shipped out.

Upon the confirmation of a WEN representative, your product may qualify for repairs and service work. When returning a product for warranty service, the shipping charges must be prepaid by the purchaser. The product must be shipped in its original container (or an equivalent), properly packed to withstand the hazards of shipment. The product must be fully insured with a copy of the proof of purchase enclosed. There must also be a description of the problem in order to help our repairs department diagnose and fix the issue. Repairs will be made and the product will be returned and shipped back to the purchaser at no charge for addresses within the contiguous United States.

THIS LIMITED WARRANTY DOES NOT APPLY TO ITEMS THAT WEAR OUT FROM REGULAR USAGE OVER TIME, INCLUDING BELTS, BRUSHES, BLADES, BATTERIES, ETC. ANY IMPLIED WARRANTIES SHALL BE LIMITED IN DURATION TO TWO (2) YEARS FROM DATE OF PURCHASE. SOME STATES IN THE U.S. AND SOME CANADIAN PROVINCES DO NOT ALLOW LIMITATIONS ON HOW LONG AN IMPLIED WARRANTY LASTS, SO THE ABOVE LIMITATION MAY NOT APPLY TO YOU.

IN NO EVENT SHALL SELLER BE LIABLE FOR ANY INCIDENTAL OR CONSEQUENTIAL DAMAGES (INCLUDING BUT NOT LIMITED TO LIABILITY FOR LOSS OF PROFITS) ARISING FROM THE SALE OR USE OF THIS PRODUCT. SOME STATES IN THE U.S. AND SOME CANADIAN PROVINCES DO NOT ALLOW THE EXCLUSION OR LIMITATION OF INCIDENTAL OR CONSEQUENTIAL DAMAGES, SO THE ABOVE LIMITATION OR EXCLUSION MAY NOT APPLY TO YOU.

THIS LIMITED WARRANTY GIVES YOU SPECIFIC LEGAL RIGHTS, AND YOU MAY ALSO HAVE OTHER RIGHTS WHICH VARY FROM STATE TO STATE IN THE U.S., PROVINCE TO PROVINCE IN CANADA AND FROM COUNTRY TO COUNTRY.

THIS LIMITED WARRANTY APPLIES ONLY TO ITEMS SOLD WITHIN THE UNITED STATES OF AMERICA, CANADA AND THE COMMONWEALTH OF PUERTO RICO. FOR WARRANTY COVERAGE WITHIN OTHER COUNTRIES, CONTACT THE WEN CUSTOMER SUPPORT LINE. FOR WARRANTY PARTS OR PRODUCTS REPAIRED UNDER WARRANTY SHIPPING TO ADDRESSES OUTSIDE OF THE CONTIGUOUS UNITED STATES, ADDITIONAL SHIPPING CHARGES MAY APPLY.

**THANKS FOR
REMEMBERING**  [®]