

RYOBI
18 Volt Rotary Tool
Model Number P460
Repair Sheet

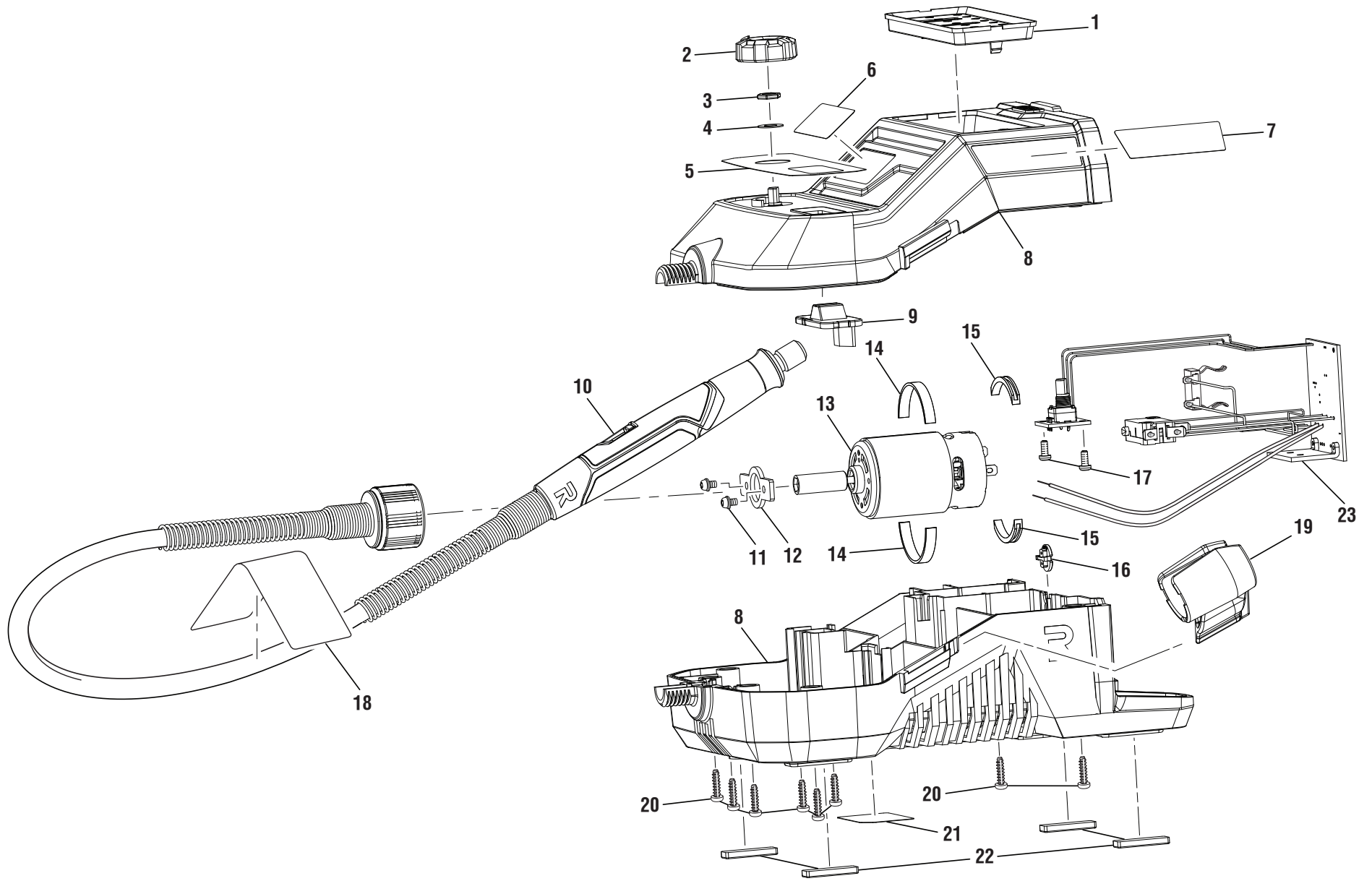
One World Technologies, Inc.

P.O. Box 1288, Anderson, SC 29622

Phone 1-800-860-4050

www.ryobitools.com

RYOBI ROTARY TOOL – MODEL NO. P460



RYOBI ROTARY TOOL – MODEL NO. P460

The model number will be found on a label attached to the motor housing. Always mention the model number in all correspondence regarding your **ROTARY TOOL** or when ordering repair parts.

PARTS LIST

KEY NO.	PART NUMBER	DESCRIPTION	QTY
1	536179001	Accessories Holder	1
2	536286001	Speed Control Dial	1
3	696813001	Hex Nut (M7)	1
4	696814001	Washer (ID7 x OD12 x 0.5t)	1
5	941001704	On/Off and Speed Control Label.....	1
6	940114178	Logo Label	1
7	941120381	Warning Label	1
8	204912003	Housing Assembly (Inc. Key Nos. 5-7 and 21).....	1
9	536072001	Switch Actuator.....	1
10	204912004	Flexible Shaft Assembly (Inc. Key No. 18)	1
11	662308001	Screw w/Washer (M3 x 5 mm, T10 Torx Pan Hd.).....	2
12	635626001	Motor Mount	1
13	206826001	Motor Assembly (Inc. Key No. 14).....	1
14	562821002	Foam Rubber (Motor Case).....	2
15	562822001	Rubber Cushion (Motor Case).....	2
16	536108001	Door Cover	1
17	660438002	Screw (M3 x 8 mm, T10 Torx Pan Hd.)	2
18	941120407	Flex Shaft Warning Label (Hang Tag)	1
19	536073001	Pen Clip.....	1
20	660024018	Screw (M4 x 16 mm, T20 Torx Pan Hd.)	8
21	941122063	Data Label	1
22	564836001	Rubber Foot	4
23	204912005	Circuit Board Assembly.....	1

Not Shown

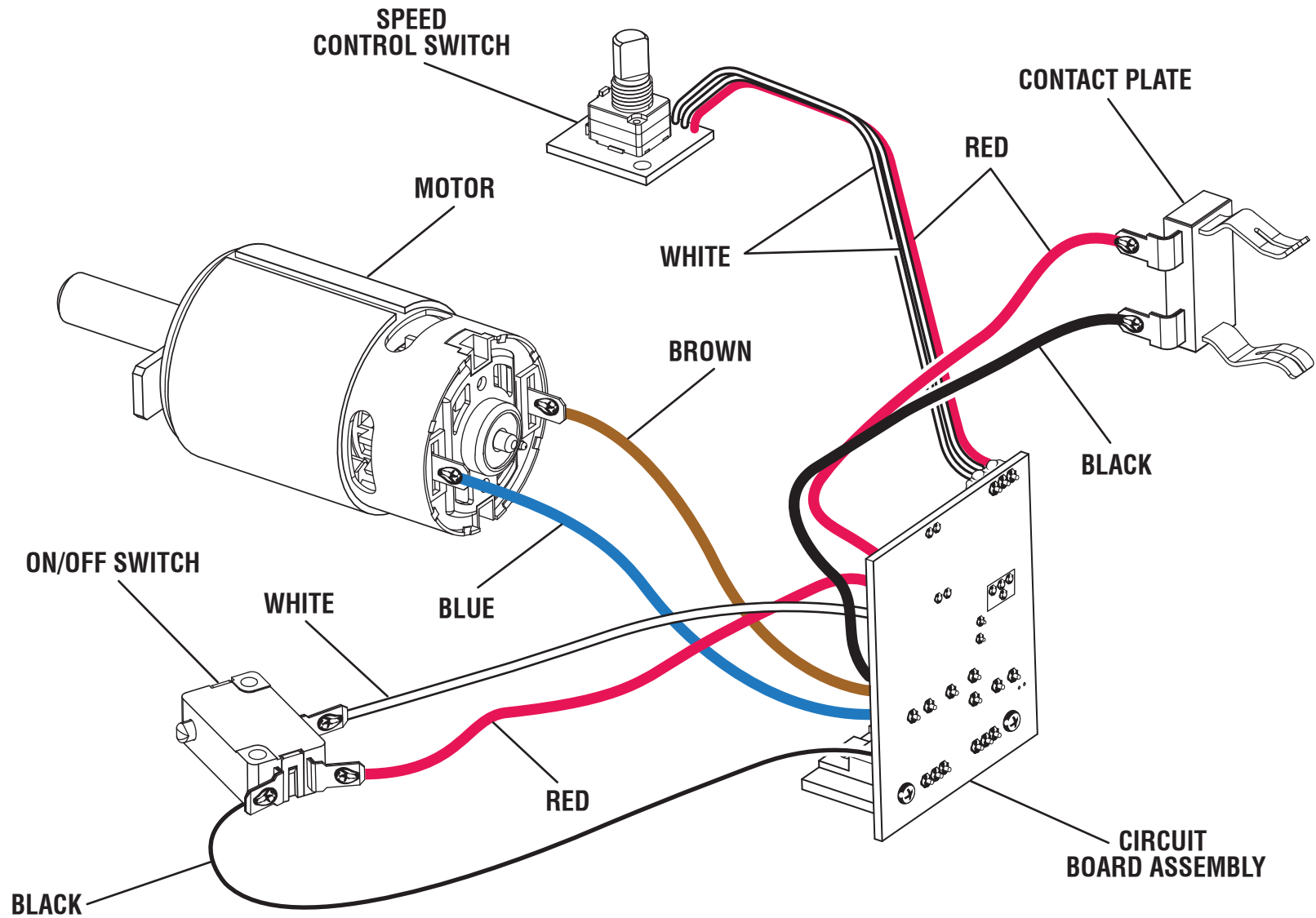
314435001 Rotary Tool Head Accessories (33 Pieces)

995000623 Operator's Manual (961152941)

9-10-18

(Rev:01)

RYOBI ROTARY TOOL – MODEL NO. P460



WIRING DIAGRAM