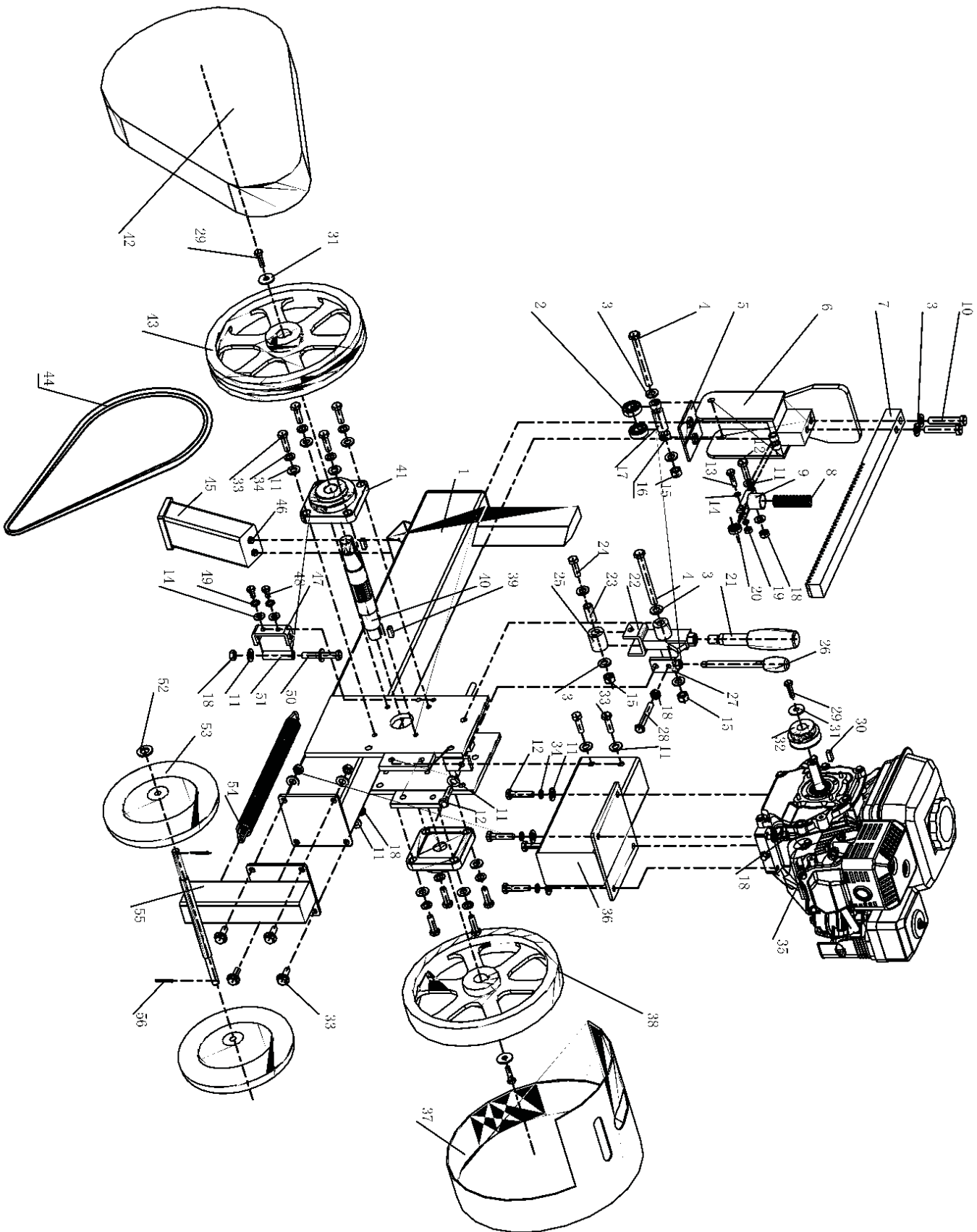


PARTS DIAGRAM



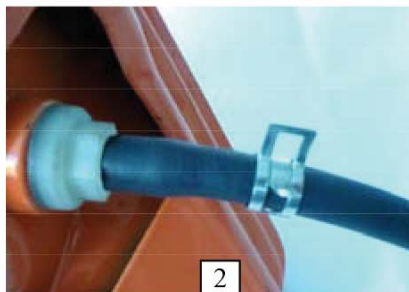
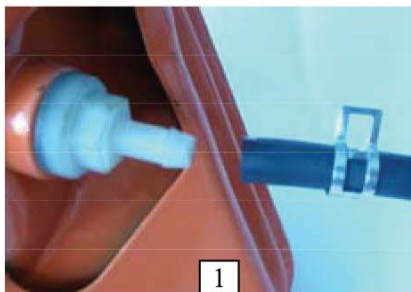
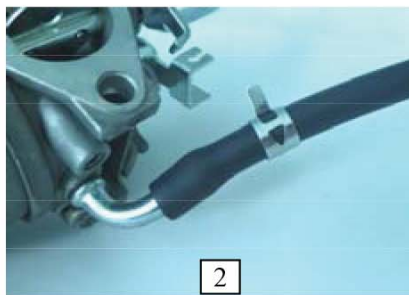
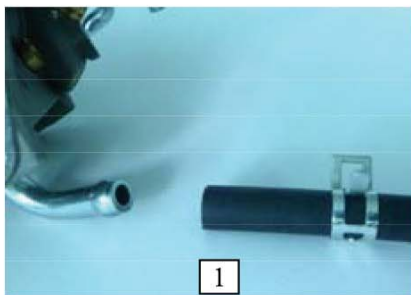
PARTS LIST

No.	Description	Qty	No.	Description	Qty
1	Body	1	29	Hex bolt M8x30	3
2	Bearing 6201	2	30	Key 6x6	1
3	Flat Washer ϕ 12	8	31	Flat washer ϕ 8	3
4	Hex Bolt M12x115	2	32	Engine pulley	1
5	Nylon slider	1	33	Hex bolt M10x30	16
6	Pusher	1	34	Spring washer ϕ 10	12
7	Rack	1	35	Engine	1
8	Spring	1	36	Engine support	1
9	Restoration device	1	37	Flywheel guard	1
10	Hex Bolt M12x45	2	38	Flywheel	1
11	Flat Washer ϕ 10	36	39	Key 8x7	2
12	Hex Bolt M10x45	6	40	Pinion driver	1
13	Hex Bolt M8x35	1	41	Bearing housing	2
14	Flat Washer ϕ 8	6	42	Pulley guard	1
15	Screw M12	3	43	Flywheel for belt	1
16	Short Bushing	2	44	V belt	1
17	Long Busher	1	45	Outrigger leg	1
18	Screw M10	12	46	Hex bolt M6x16	1
19	Screw M8	1	47	Side roller fitting	2
20	Bearing 628	1	48	Hex bolt M8x15	4
21	Splitting handle	1	49	Spring washer ϕ 8	4
22	Press device	1	50	Hex bolt M10x90	2
23	Sleeve	1	51	Side roller	2
24	Hex Bolt M12x65	1	52	Flat washer ϕ 12	2
25	Roller	1	53	Wheel	2
26	Lock-Unlock handle	1	54	Tension spring	1
27	Lock-Unlock device	1	55	Wheel bracket	1
28	Hex Bolt M10x80	1	56	Cotter pin ϕ 3.2	2

Engine type	4-stroke,overhead cam single cylinder
Displacement(cm ³)	94
Bore×Stroke (mm)	56×38
Max. output(kw/r/min)	2.0/3600
Max. torque (N.m/r/min)	4.8/3000
Fuel consumption(g/kw.h)	450
Cooling system	Forced air
Ignition system	TCI
Intake valve clearance (mm)(cold engine)	0.10±0.02(0.004±0.001 inch)
Exhaust valve clearance(mm)(cold engine)	0.15±0.02(0.006±0.001 inch)

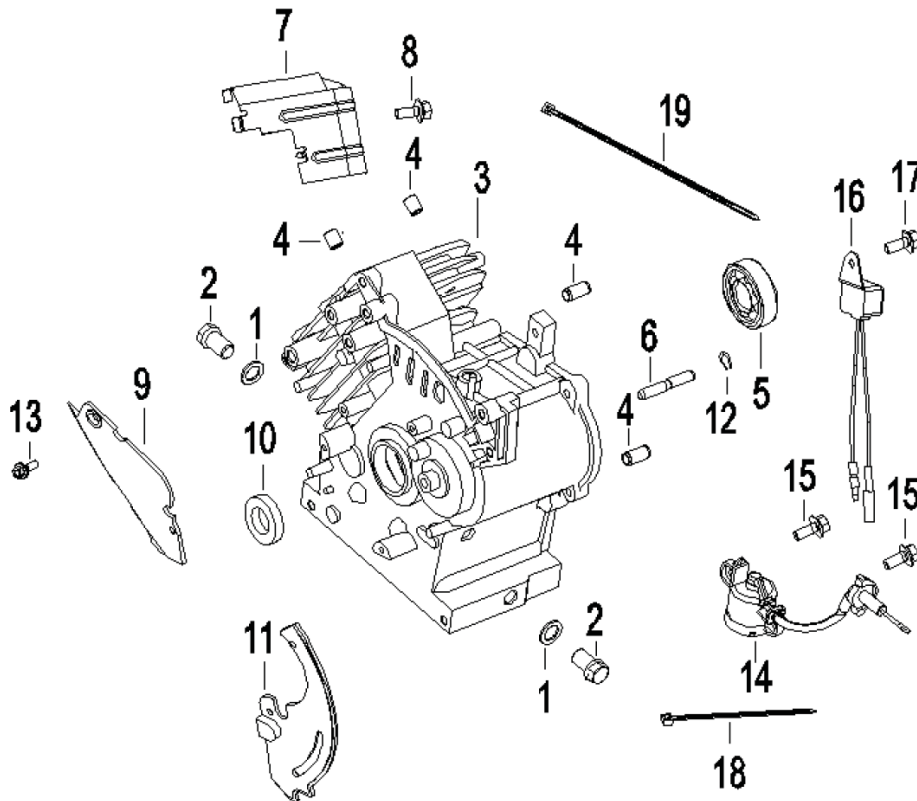
■ Fuel line installation instruction

- 1.Connect clamp to the fuel hose;
- 2.Slide fuel hose onto connection until it touches the bottom;
- 3.Then secure with clamp.



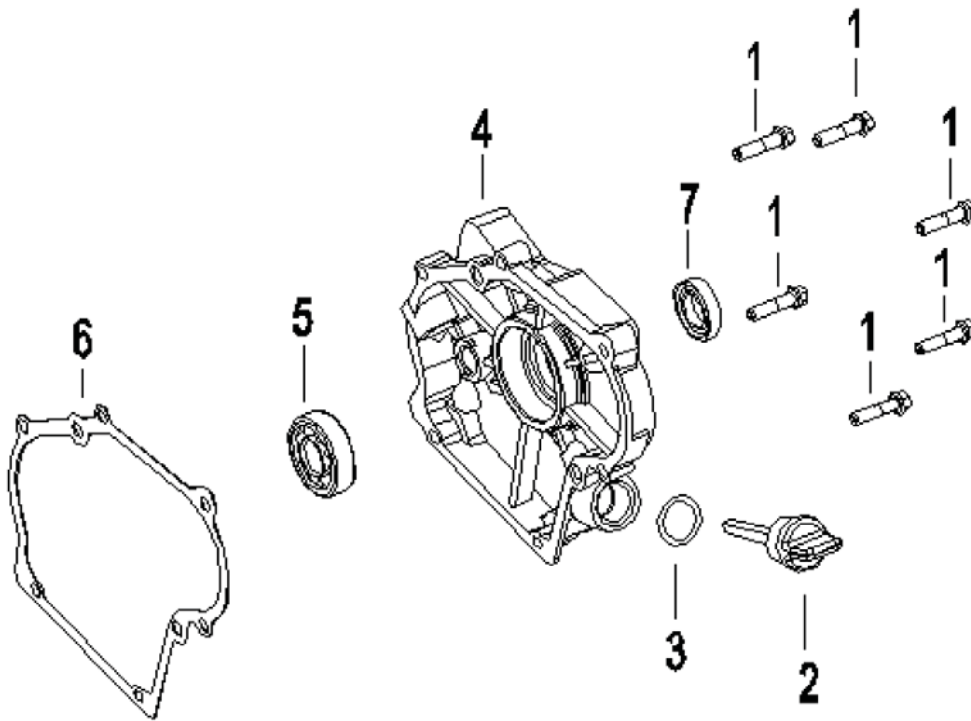
CRANKCASE ASSY

NO	PARTS NO.	CODE	DESCRIPTION	QTY
1	QJ166QDK.01-07B	31070124001001	Spacer, Drain plug	2
2	QJ166QDK.01-06	31060124001000	Drain plug	2
3	JF156FFH.01.02	21020118001000	Crankcase assy	1
4	JF152FFH.01-08	31080116001000	Guide dowel	4
5	GB/T276-13 6203	B12016020300	Bearing	1
6	QJ168QDJ.05-04	35040121001000	Pin	1
7	JF152FFH.01-09	31090116001000	Clipboard	1
8	GB/T16674.1-04 M6*12	B01330601265	Bolt	1
9	ZJ151FEH.01-01	31020115001000	Plate 1 driversion	1
10	JF152FFH.01.01	21030116001000	Washer, Seal	1
11	ZJ151FEH.01-02	31030115001000	Plate 2 driversion	1
12	QJ166QDK.01-02	31020124001000	Snap spring	1
13	GB/T16674.1-04 M6*10	B01330601065	Bolt	1
14	JF152FFH.01.03	21040116001000	Oil Level Sensor	1
15	GB/T16674.1-04 M6*16	B01330601665	Bolt	2
16	QJ182QDP.01.05	21060127002000	Electronic Switch	1
17	GB/T16674.1-04 M6*12	B01330601265	Bolt	1
18	SC802A	K80202112700	Cable Ties	1
19	1E38QCA-5.9.3-17	38050113001000	Cable Ties	1



CRANKCASE COVER ASSY

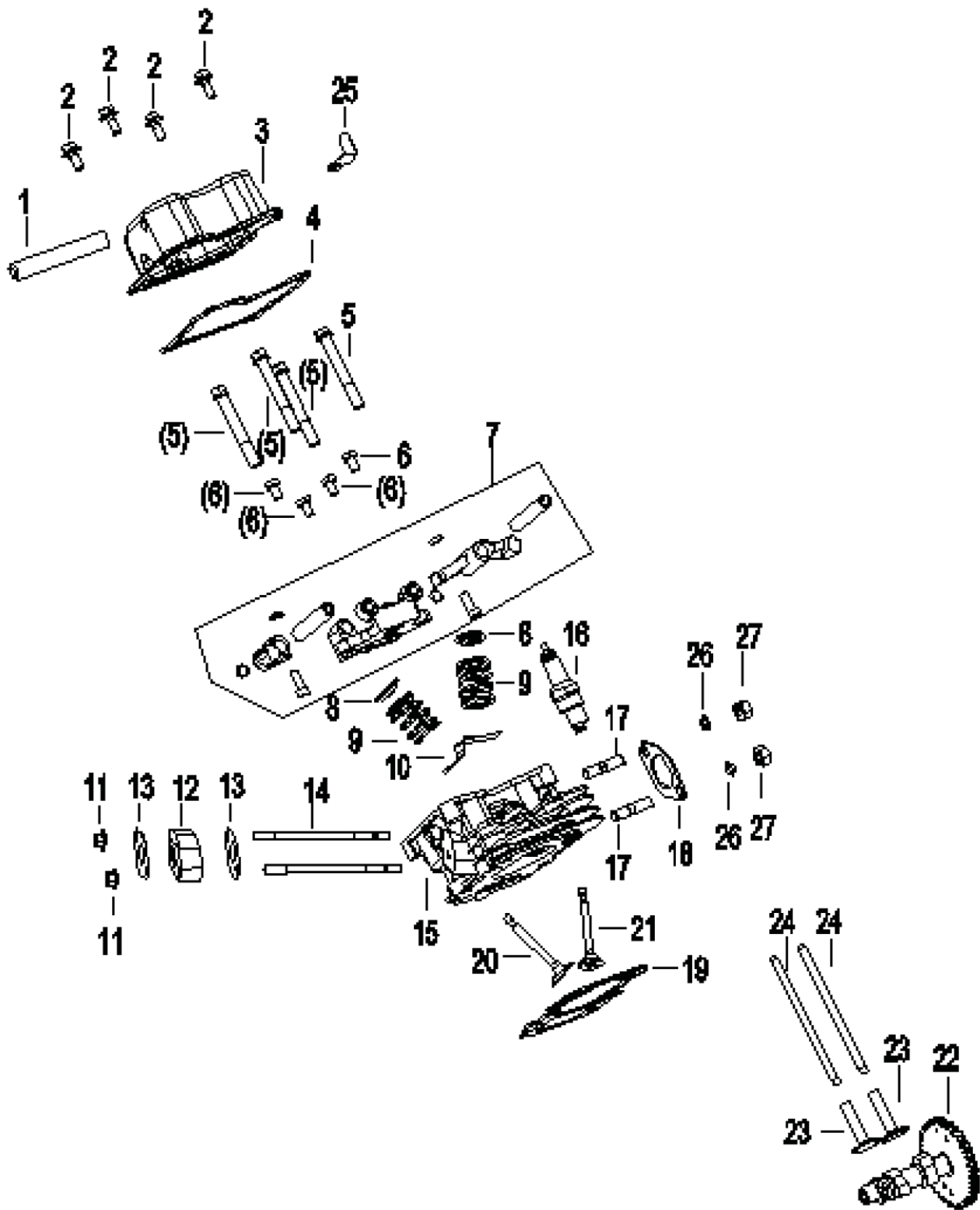
NO	PARTS NO.	CODE	DESCRIPTION	QTY
1	GB5789-86 M6*25	B01310602565	Bolt	6
2	JF152FFH.01-03	31030116001000	Dipstick	1
3	JF152FFH.01-12	31170116001000	Seal Spacer	1
4	ZJ151FEH.01-03	31010115001000	Cover, Crankcase	1
5	GB/T276-13 6303	B12016030300	Bearing	1
6	JF152FFH.01-02	31020116001000	Gasket, Crankcase	1
7	JF152FFH.01.01	21030116001000	Washer, Seal	1



CYLINDER HEAD & VALVE MECHANISM ASSY

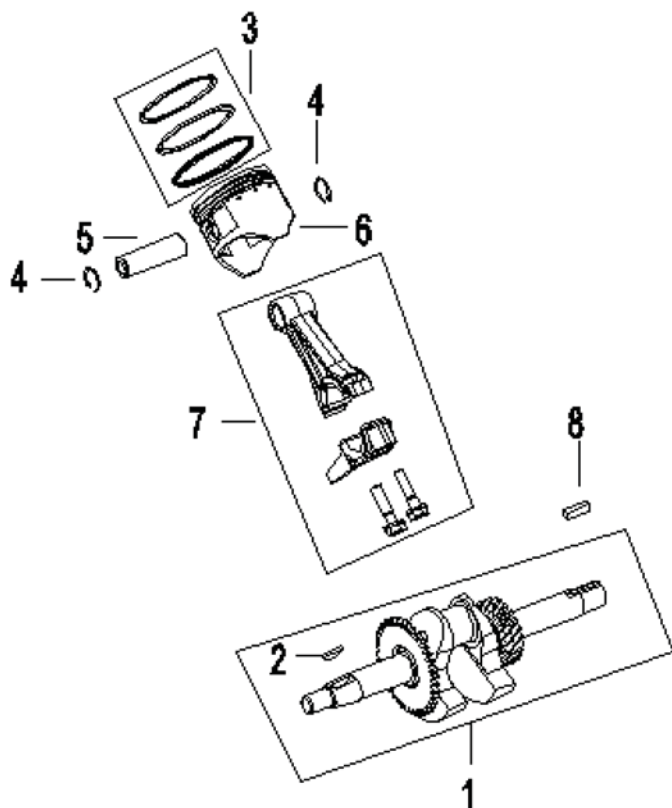
NO	PARTS NO.	CODE	DESCRIPTION	QTY
1	QJ168QDJ.07-01	37100121001000	Colloid pipe	1
2	GB/T16674.1-04 M6*12	B01330601265	Bolt	4
3	JF152FFH.02.02	22030116001000	Cylinder head cover	1
4	JF152FFH.02-03	32030116001000	Gasket, Cylinder head cover	1
5	GB/T16674.1-04 M8*55	B01330805565	Bolt	4
6	GB/T16674.1-04 M6*16	B01330601665	Bolt	4
7	JF152FFH.03.01	23020116001000	Rocker bracket assy	1
8	JF152FFH.03-05	33050116001000	Upper retainer, Door spring	2
9	JF152FFH.03-04	33040116001000	Spring, valve	2
10	JF152FFH.03-06	33060116001000	Retainer intake door spring	1
11	GB6177.1-2000 M6	B04280600025	Nut	2
12	JF152FFH.02-05	32050116001000	Spacer, Heat insulating	1
13	JF152FFH.02-04	32040116001000	Gasket, inlet pipe	2
14	JF152FFH.02-06	32060116001000	Bolt, Intake pipe	2
15	JF156FFH.02.01	22020118001000	Cylinder head	1
16	JF152FFH.02.03	22050116001000	Spark plug	1
17	QJ168QDJ.02-07	32070121001000	Bolt, Exhaust pipe	2
18	JF152FFH.02-09	32070116001000	Gasket, Exhaust pipe	1
19	JF156FFH.02-02	32010118001000	Gasket, Cylinder head	1
20	JF156FFH.03-02	33010118001000	Valve, Intake	1
21	JF156FFH.03-03	33020118001000	Valve, Exhaust	1
22	JF152FFH.03.02	23060116001000	Camshaft	1
23	JF152FFH.03-01	33010116001000	Stud, Connecting	2
24	JF152FFH.03.03	23070116001000	Rod, connecting	2
25	JF152FFH.02-10	32080116001000	plate,head cover	1
26	GB93-87 Φ8	B07000008045	Spring Washer	2
27	GB6177.1-2000 M8	B04280800025	Nut	2

CYLINDER HEAD & VALVE MECHANISM ASSY



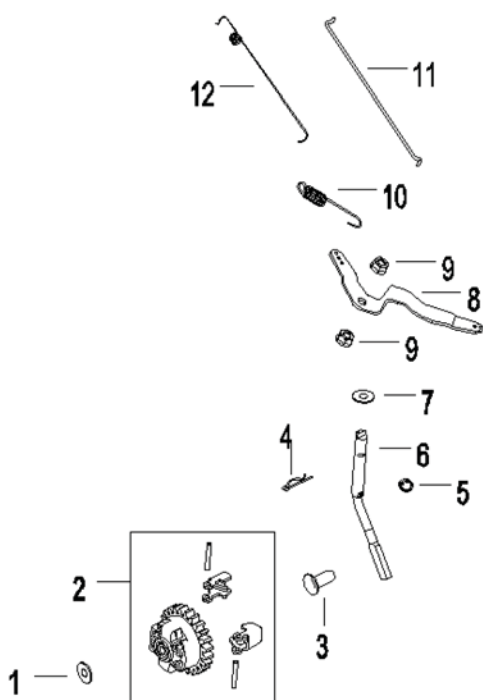
CRANKSHAFT & PISTON & CONNECTING ROD ASSY

NO	PARTS NO.	CODE	DESCRIPTION	QTY
1	JF156FFH.04.01	24030118001000	Crankshaft	1
2	JF152FFH.04-01	34010116001000	key	1
3	JF156FFH.05.01B	24040118001001	Piston ring assy	1
4	JF152FFH.05-05	34100116001000	Circlip, Pistion pin	2
5	JF154FFH.05-04	34060117001000	Pin, Piston	1
6	JF156FFH.05-01B	34020118001001	Piston	1
7	JF152FFH.05.02	24050116001000	Connecting rod assy	1
8	PW16A.00-01	30011501001000	key	1



CENTRIFUGAL ADJUSTMENT (GOVERNOR)

NO	PARTS NO.	CODE	DESCRIPTION	QTY
1	QJ168QDJ.05-09	35090121001000	Spacer 2	1
2	JF156FFH.06.01B	25020118001001	Adjustment, Centrifugal	1
3	QJ182QDP.06-06	35060127002000	Cover, Push rod	1
4	QJ182QDP.06-02	35020127002000	Circlip	1
5	GB896-86 $\Phi 6$	B08100000611	Block circle	1
6	JF152FFH.06-02	35020116001000	Fork	1
7	QJ182FPH-6.02-02	35130127002000	Spacer II	1
8	JF152FFH.06-01	35010116001000	Governor pivot bracket	1
9	GB6177.1-2000 M6	B04280600025	Nut	2
10	JF156FFH.06-01	35030118001000	Spring 1, Tension	1
11	JF152FFH.06-04	35040116001000	Rod, Tension	1
12	JF152FFH.06-05	35050116001000	Spring 2, Tension	1



IGNITION SYSTEM

NO	PARTS NO.	CODE	DESCRIPTION	QTY
1	JF152FFH.07.01	28020116001000	Flying wheel	1
2	JF152FFH.08-02	36020116001000	Fan wheel	1
3	ZJ151FEH.04-01	36010115001000	Starter canister	1
4	JF152FFH.04-03	34030116001000	Nut, Clamp	1
5	JF152FFH.07.02	28030116001000	Ignition coil	1
6	JF152FFH.07.02-01	28050116001000	Flameout Wire	1
7	GB/T16674.1-04 M6*20	B01330602065	Bolt	2

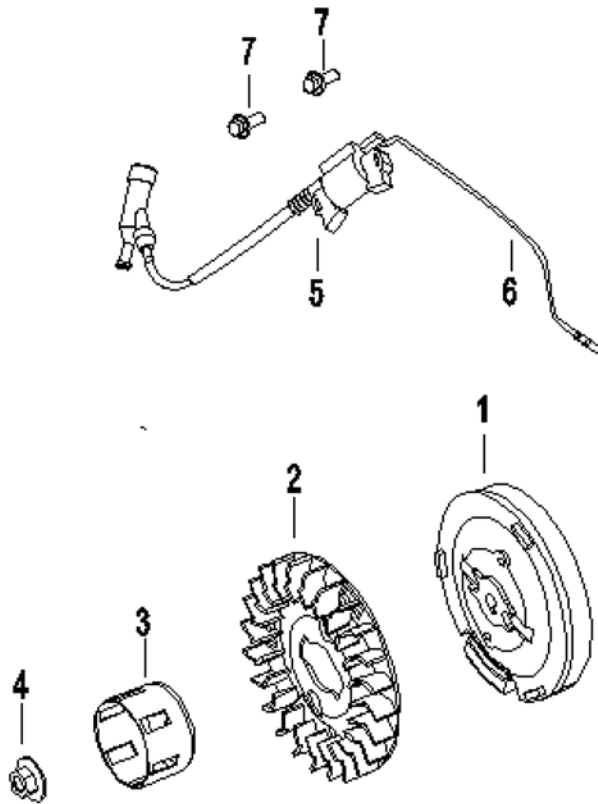
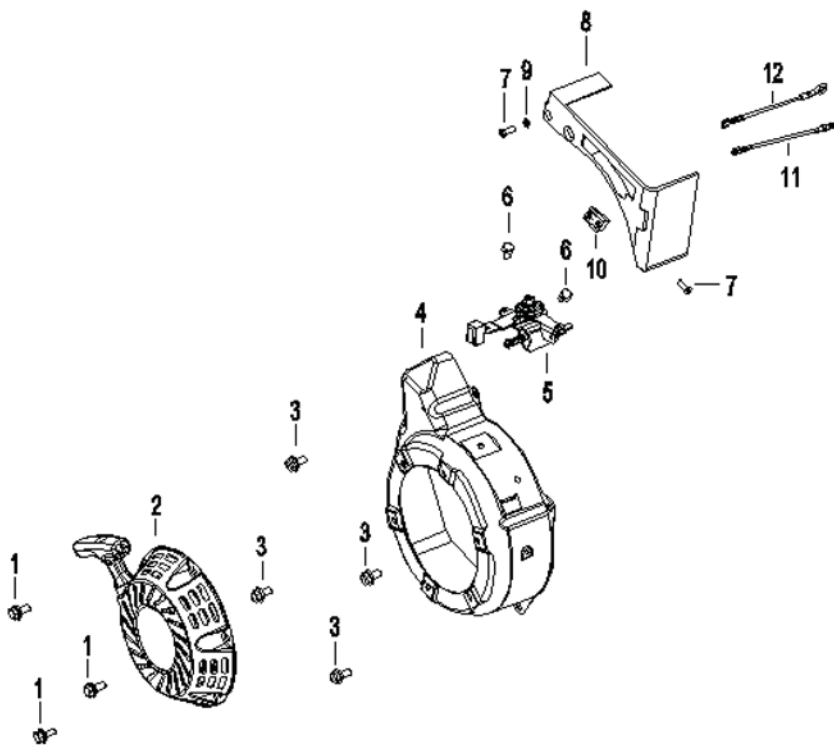


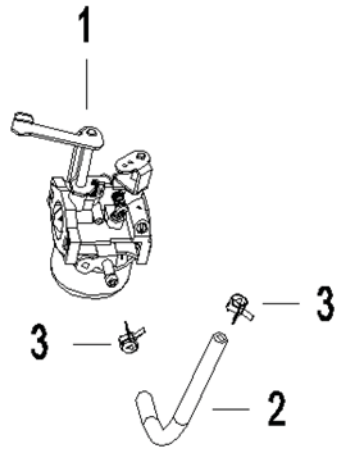
PLATE VENTILATION HOOD COMPONENTS

NO	PARTS NO.	CODE	DESCRIPTION	QTY
1	GB/T16674.1-04 M6*8	B01330600865	Bolt	3
2	JF152FFH.08.01	26020116001090	Starter Assembly	1
3	GB/T16674.1-04 M6*12	B01330601265	Bolt	4
4	JF152FFH.08-03	36030116001090	Engine side cover	1
5	JF152FFH.08.02	26040116001090	speed adjustment base assy	1
6	GB5789-86 M6*10	B01310601065	Bolt	2
7	GB845-85 ST4.2*9.5	B05004209EC1	Screw	2
8	JF152FFH.08.03	26060116001000	Throttle panel	1
9	GB/T95-02 $\phi 4$	B07010004041	Washer	1
10	1E38QCA-8.9.2-3	36060115001000	Switch ASSY, ignition	1
11	JF152FFH.08.03-03	26080116001000	Flameout wire	1
12	JF152FFH.08.03-02	26070116001000	Grounded wire assy	1



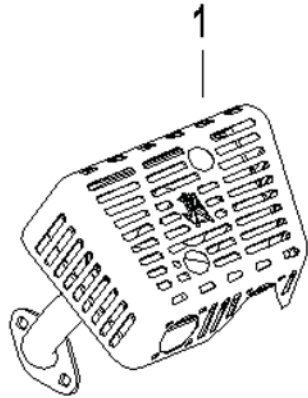
CARBURETOR

NO	PARTS NO.	CODE	DESCRIPTION	QTY
1	JF156FFH.09.01	27120118001000	Carburetor	1
2	37520121001001	37520121001001	Hose, fuel	0.1m
3	JF168FJH-15.05-08	37200121001000	Fuel pipe cup	2



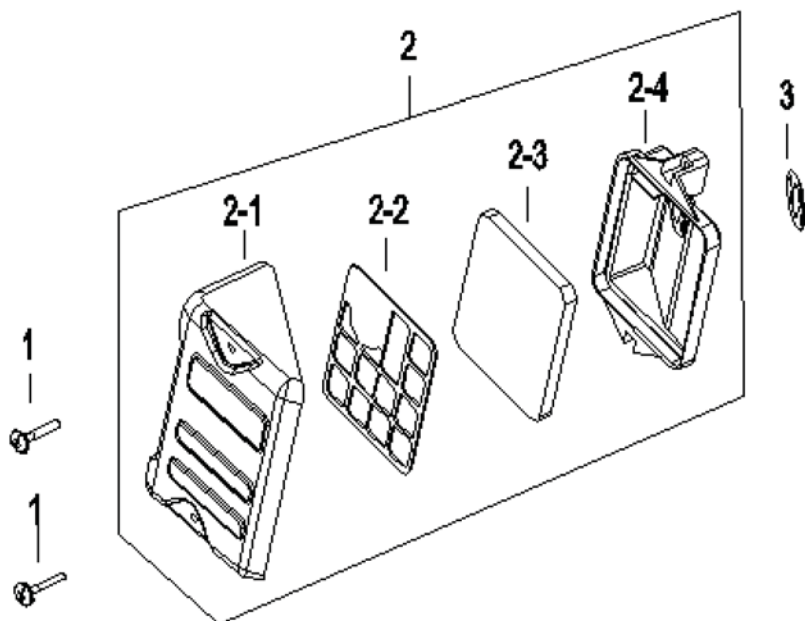
MUFFLER

NO	PARTS NO.	CODE	DESCRIPTION	QTY
1	JF156FFH.11C	27030118001002	Muffler	1



AIR FILTER ASSY

NO	PARTS NO.	CODE	DESCRIPTION	QTY
1	ZJ151FEH.06-02	37020115001000	Bolt, M5×32	2
2	JF156FFH.10.00B	27060118001001	Air Filter Ass'y	1
2-1	JF156FFH.10-01	37030118001000	Cover, air cleaner	1
2-2	JF156FFH.10.02	27080118001000	Air cleaner element	1
2-3	JF156FFH.10-02	37040118001000	Sustain board	1
2-4	JF156FFH.10.01	27070118001000	Below shell	1
3	JF152FFH.10-1	37010116001000	Air cleaner gasket	1



GAS TANK ASSY

NO	PARTS NO.	CODE	DESCRIPTION	QTY
1	JF168FJH-16.10.02	27140121001002	Fuel tank cap	1
2	QJ168QDJ.10.02.01	37250121001000	Filter cup	1
3	JF156FFH.12.01.01	27100118001000	Fuel tank	1
4	GB/T93-1987	B07000006045	Spring washer	3
5	GB/T5789-86	B01310601465	Bolt, M6×14	3
6	QJ168QDJ.10.01	27180121001000	Filter net	1
7	37520121001001	37520121001001	Hose, fuel	0.13m
8	JF168FJH-15.05-08	37200121001000	Fuel pipe clip	2
9	JF152FFH.12.04	27150116001000	Fuel switch assembly	1
10	GB/T845-1985	B050042013C1	Screw	1
11	JF168FJH-16.13.02	27280121001000	Oil spill valve	1
12	37530121001000	37530121001000	Hose, fuel	0.018kg
13	JF168FJH.10.03-03	38040121002000	Fuel pipe clip	2
14	QJ182QDP.01-09	31060127002000	Wire clamp	1

