

COM-PAK FAN-FORCED HEATER

The Com-Pak is an efficient, affordable way to add warmth without installing ductwork. These hard-wired heaters have proven safety features and multiple installation options, and provide safe, sensible warmth for years.

BENEFITS

- Centrifugal fan provides, quiet, efficient airflow
- Warm up in a hurry with a fast-heating element
- Unique compact design is recess mounted to suit any room
- All metal surfaces are powder-coated paint to remove sharp edges and provide a durable finish
- Easy to install - only three screws to install heater assembly and grille
- Includes high temperature safety shutoff
- Can be ceiling-mounted (all models 1500W or less)
- Available with or without built-in thermostat
- 10-packs available for wall cans and grille



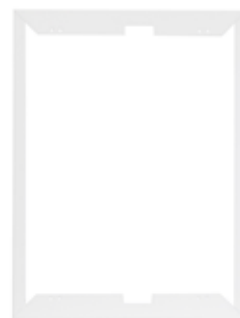
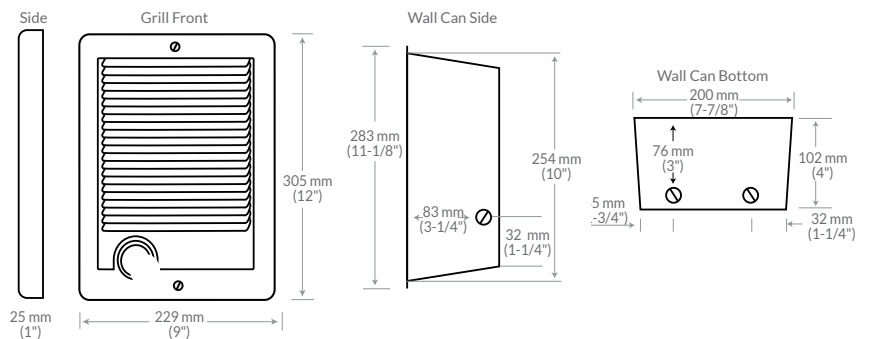
APPLICATIONS

All Residential Applications | Commercial Offices

SPECIFICATIONS

Voltage	240/120V, 240/208V
Wattage	Sizes ranging from 500W to 2000W
Color	White or Almond
Finish	Powder coating resists fading and abrasion
Construction	Robust, 20 gauge steel construction
Heating Element	Coil element designed for rapid heat up
Warranty	2-year warranty on complete unit

DIMENSIONS



C1TKW-C Trim Kit
White



C1TKA Trim Kit
Almond

ORDERING GUIDE

COMPLETE UNITS

Cat. No.	Description	Watts	Volts	Amps	BTU	Weight (kg/lbs.)
CSC101TA	Complete unit with thermostat, wall can & grille, almond	1000	120	8.3	3415	3.17 / 7
CSC102TA	Complete unit with thermostat, wall can & grille, almond	1000/750	240/208	4.2/3.6	3415/2560	3.17 / 7
CSC101A	Complete unit no thermostat, wall can & grille, almond	1000	120	8.3	3415	3.17 / 7
CSC151W	Complete unit no thermostat, wall can & grille, white	1500	120	12.5	5120	3.17 / 7
CSC151A	Complete unit no thermostat, wall can & grille, almond	1500	120	12.5	5120	3.17 / 7
CSC102A	Complete unit no thermostat, wall can & grille, almond	1000/750	240/208	4.2/3.6	3415/2560	3.17 / 7
CSC152A	Complete unit no thermostat, wall can & grille, almond	1500/1125	240/208	6.3/5.4	5120/3840	3.17 / 7
CSC102TW	Complete unit with thermostat, wall can & grille, white	1000/750	240/208	4.2/3.6	3415/2560	3.17 / 7
CSC152TW	Complete unit with thermostat, wall can & grille, white	1500/1125	240/208	6.3/5.4	5120/3840	3.17 / 7
CSC202TW	Complete unit with thermostat, wall can & grille, white	2000/1500	240/208	8.3/7.2	6825/5120	3.17 / 7
CSC101W	Complete unit no thermostat, wall can & grille, white	1000	120	8.3	3415	3.17 / 7
CSC072W	Complete unit no thermostat, wall can & grille, white	750/563	240/208	3.1/2.7	2560/1925	3.17 / 7
CSC102W	Complete unit no thermostat, wall can & grille, white	1000/750	240/208	4.2/3.6	3415/2560	3.17 / 7
CSC152W	Complete unit no thermostat, wall can & grille, white	1500/1125	240/208	6.3/5.4	5120/3840	3.17 / 7
CSC202W	Complete unit no thermostat, wall can & grille, white	2000/1500	240/208	8.3/7.2	6825/5120	3.17 / 7

HEATER ASSEMBLY

CS051	Heater assembly no thermostat	500	120	4.2	1710	1.5 / 3.5
CS101	Heater assembly no thermostat	1000	120	8.3	3415	1.5 / 3.5
CS151	Heater assembly no thermostat	1500	120	12.5	5120	1.5 / 3.5
CS058	Heater assembly no thermostat	563	208	2.7	1925	1.5 / 3.5
CS078	Heater assembly no thermostat	750	208	3.6	2560	1.5 / 3.5
CS108	Heater assembly no thermostat	1000	208	4.8	3415	1.5 / 3.5
CS118	Heater assembly no thermostat	1125	208	5.4	3840	1.5 / 3.5
CS158	Heater assembly no thermostat	1500	208	7.2	5120	1.5 / 3.5
CS208	Heater assembly no thermostat	2000	208	9.6	6825	1.5 / 3.5
CS052	Heater assembly no thermostat	500/375	240/208	2.1/1.8	1710/1280	1.5 / 3.5
CS072	Heater assembly no thermostat	750/563	240/208	3.1/2.7	2560/1925	1.5 / 3.5
CS102	Heater assembly no thermostat	1000/750	240/208	4.2/3.6	3415/2560	1.5 / 3.5
CS122	Heater assembly no thermostat	1250/937	240/208	5.2/4.5	4265/3200	1.5 / 3.5
CS152	Heater assembly no thermostat	1500/1125	240/208	6.3/5.4	5120/3840	1.5 / 3.5
CS202	Heater assembly no thermostat	2000/1500	240/208	8.3/7.2	6825/5120	1.5 / 3.5

Note: To order a Heater Assembly with a Built-in Thermostat add a "T" after the part number, example CS051T

ACCESSORIES

Cat. No.	Description	Weight (kg/lbs.)
CC	Wall can for model CS, single	1.2 / 2.8
CC10	Wall can for model CS, 10-pack	10.2 / 22.5
CGW	Vertical grille kit for model CS, single, white	0.6 / 1.5
CGW10	Vertical grille kit for model CS, 10-pack, white	5.5 / 12.3
CGA	Vertical grille kit for model CS, single, almond	0.6 / 1.5
CGA10	Vertical grille kit for model CS, 10-pack, almond	5.5 / 12.3
CMGA	Horizontal grille kit for model CS, single, almond	0.9 / 2.0
CMGA5	Horizontal grille kit for model CS, 5-pack, almond	3.1 / 7.5
CMGW	Horizontal grille kit for model CS, single, white	0.9 / 2.0
CMGW5	Horizontal grille kit for model CS, 5-pack, white	3.1 / 7.5
CTT1W	Built-in thermostat kit for model CS, single pole, 40°F to 85°F (4° C to 29° C), white (120-240v, 22 amps)	0.09 / 0.2
CTT2W	Built-in thermostat kit for model CS, double pole, 40°F to 85°F (4° C to 29° C), white (120-240v, 22 amps)	0.09 / 0.2
CTT1A	Built-in thermostat kit for model CS, single pole, 40°F to 85°F (4° C to 29° C), almond (120-240v, 22 amps)	0.09 / 0.2
CTT2A	Built-in thermostat kit for model CS, double pole, 40°F to 85°F (4° C to 29° C), almond (120-240v, 22 amps)	0.09 / 0.2
C1TKW	2" x 3" wall construction trim kit for model CS, 1" (2.5 cm), white	0.45 / 1
C4TKW	Surface trim kit for model CS, 4" (10.2 cm), white	1.2 / 2.8
C1TKA	2" x 3" wall construction trim kit for model CS, 1" (2.5 cm), almond	0.45 / 1
C4TKA	Surface trim kit for model CS, 4" (10.2 cm), almond	1.2 / 2.8

*Suffix W or A in model designates colour