

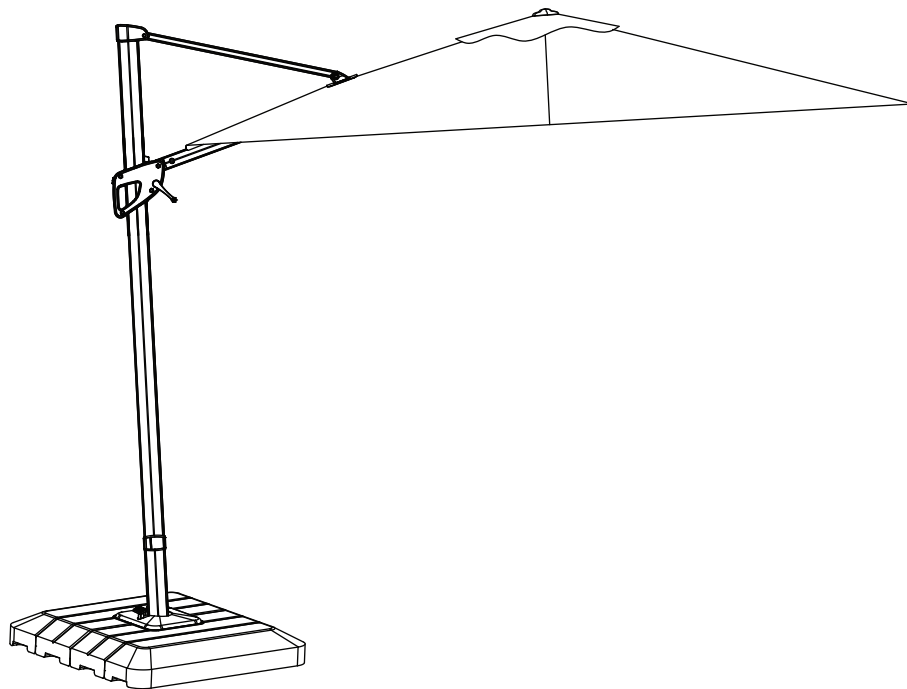
Item # 1003 348 678  
Model # YJAF-819C-SCS

# HAMPTON BAY®

## USE AND CARE GUIDE

---

### 10 FT X 10 FT SQUARE OFFSET UMBRELLA



Questions, problems, missing parts? Before returning to the store,  
call Hampton Bay Customer Service.  
8 a.m. - 7 p.m., EST, Monday - Friday, 9 a.m. - 6 p.m., EST, Saturday

**1-855-HD-HAMPTON**

**HAMPTONBAY.COM**

---

**THANK YOU**

*We appreciate the trust and confidence you have placed in Hampton Bay through the purchase of this umbrella. We strive to continually create quality products designed to enhance your home. Visit us online to see our full line of products available for your home improvement needs.  
Thank you for choosing Hampton Bay!*

# Table of Contents







Table of Contents.....	2	Pre-Assembly.....	3
Safety Information .....	2	Planning Assembly.....	3
Product Caution .....	2	Hardware Included.....	3
Safety Warnings .....	2	Package Contents.....	4
Warranty .....	2	Assembly.....	5
What is Covered.....	2	Operation.....	15
What is Not Covered.....	2	Care and Cleaning.....	20

# Safety Information

## PRODUCT CAUTION

This umbrella was made for the explicit purpose of providing outdoor functions and is not to be used as a toy. This product is intended for normal outdoor use; however, the manufacturer recommends storing and / or covering this umbrella when any formidable / severe weather is approaching. Do not locate this product near open flames. Do not use this product as a support. Do not shake, lean or climb on the product. Children under the age of 10, near the product, should be supervised by a competent adult at all times. This product is NOT intended for commercial use and will void the warranty.

## SAFETY WARNINGS

 <b>WARNING:</b> Please keep children out of the assembly area before assembly.	 <b>CAUTION:</b> Do not locate the product near any heat source.
 <b>CAUTION:</b> Never use the umbrella in high wind conditions. Damage to the umbrella can occur.	 <b>CAUTION:</b> When not in use, secure the product in a cool and covered location.
 <b>CAUTION:</b> Umbrella should not be used in the event of wind, rain, hail, sleet, snow or any other inclement weather.	
 <b>CAUTION:</b> Always close and secure the product when not in use.	

# Warranty

## 2 YEAR FRAME AND 5 YEAR FABRIC LIMITED WARRANTY

### WHAT IS COVERED

We warrant to be free of manufacturing defects to the original purchaser for 2 years frame and 5 year fabric

### WHAT IS NOT COVERED

It remains the customer's responsibility for freight and packaging charges to and from our service center. This warranty does not cover commercial use, hardware, acts of nature, fire, freezing and abusive use. In addition, purchased parts are not covered under this warranty. We reserve the right to make substitutions with similar merchandise, if the model in question is no longer in production.

Contact the Customer Service Team at 1-855-HD-HAMPTON or visit [www.HamptonBay.com](http://www.HamptonBay.com).

# Pre-Assembly

## PLANNING ASSEMBLY

Read all instructions before assembly.

To avoid damaging this product, assemble it on a soft, non-abrasive surface such as carpet or cardboard.



**NOTE:** More than one person may be required to assemble this product.

## HARDWARE INCLUDED



**NOTE:** Hardware not shown to actual size.



AA



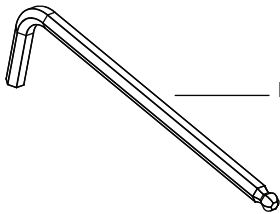
BB



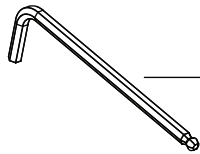
CC



DD



EE

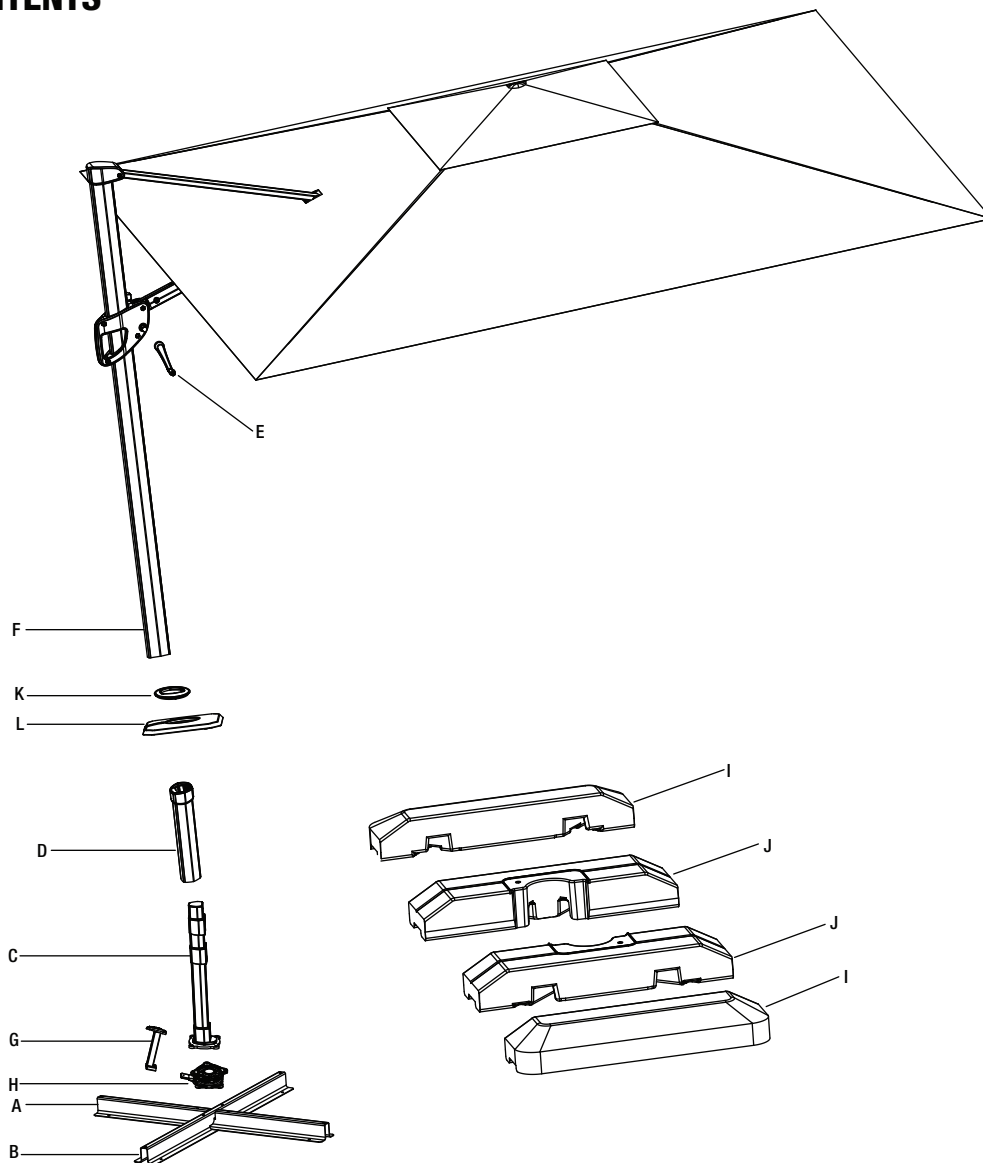


FF

Part	Description	Quantity
AA	M6x10 bolt	1+1
BB	M6x15 bolt	1+1
CC	M10x22 combination bolt	4+1
DD	M10x25 combination bolt	4+1
EE	M10 hex wrench	1
FF	M6 hex wrench	1

# Pre-Assembly (continued)

## PACKAGE CONTENTS



Part	Description	Quantity
A	Lower bracket	1
B	Upper bracket	1
C	Base tube	1
D	Lower umbrella pole	1
E	Crank	1
F	Umbrella shade	1
G	Pedal	1
H	Turn plate	1
I	Side base	2
J	Middle base	2
K	Upper base cover	1
L	Lower base cover	1

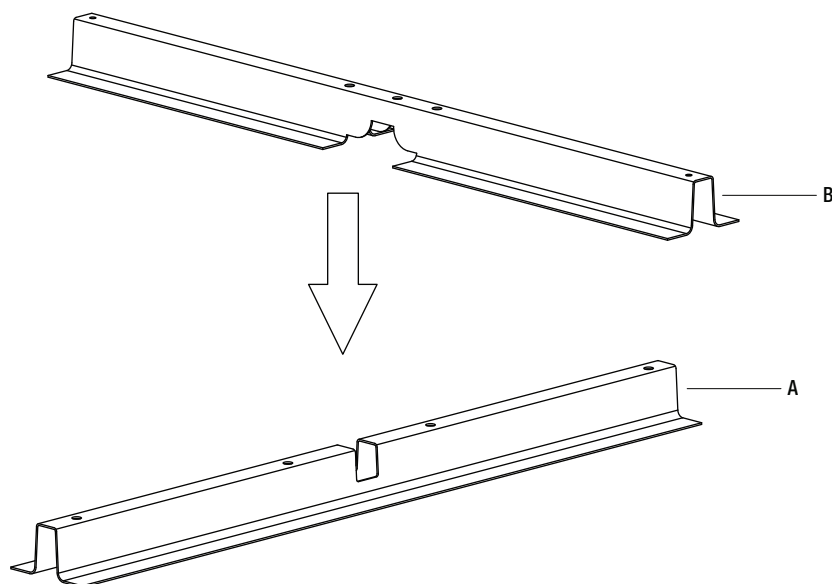
# Assembly

## 1 Attaching the brackets

- Attach the upper bracket (B) onto the lower bracket (A).



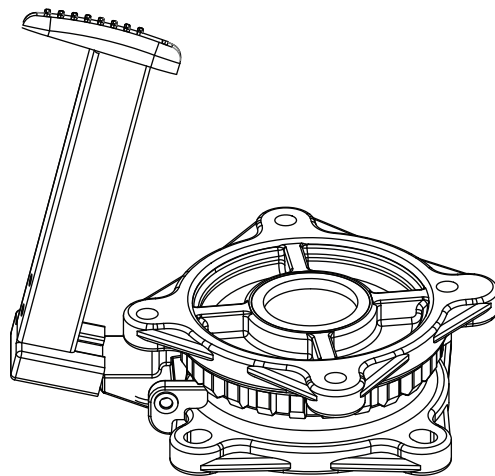
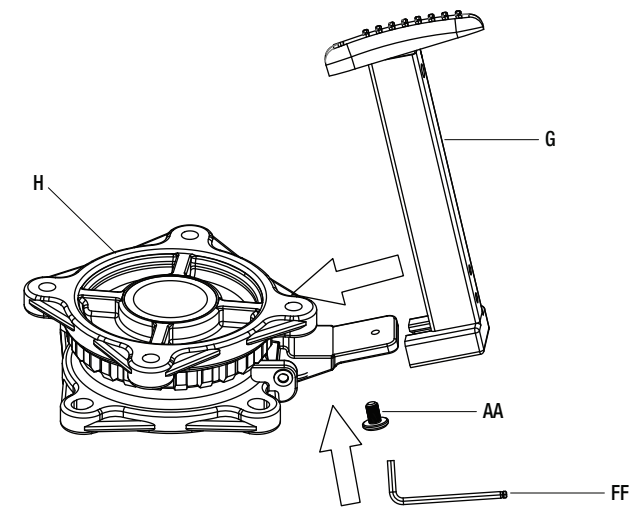
**NOTE:** This umbrella should be set up in its desired location to avoid moving it after assembly



## Assembly (continued)

### 2 Attaching the pedal to the turn plate

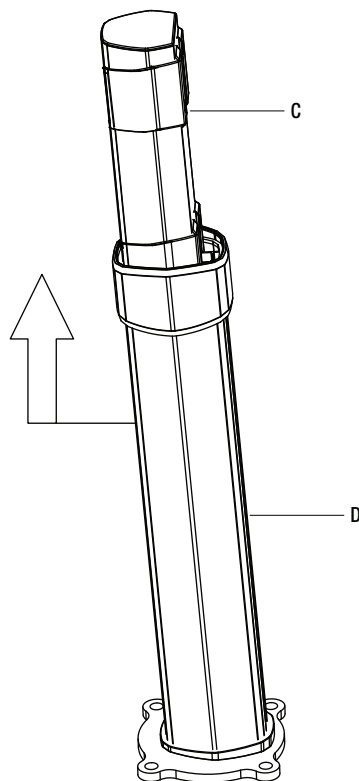
- Attach the pedal (G) to the turn plate (H) using M6x10 bolt (AA) and the M6 hex wrench (FF).



## Assembly (continued)

### 3 Pull out the lower umbrella pole from the base tube

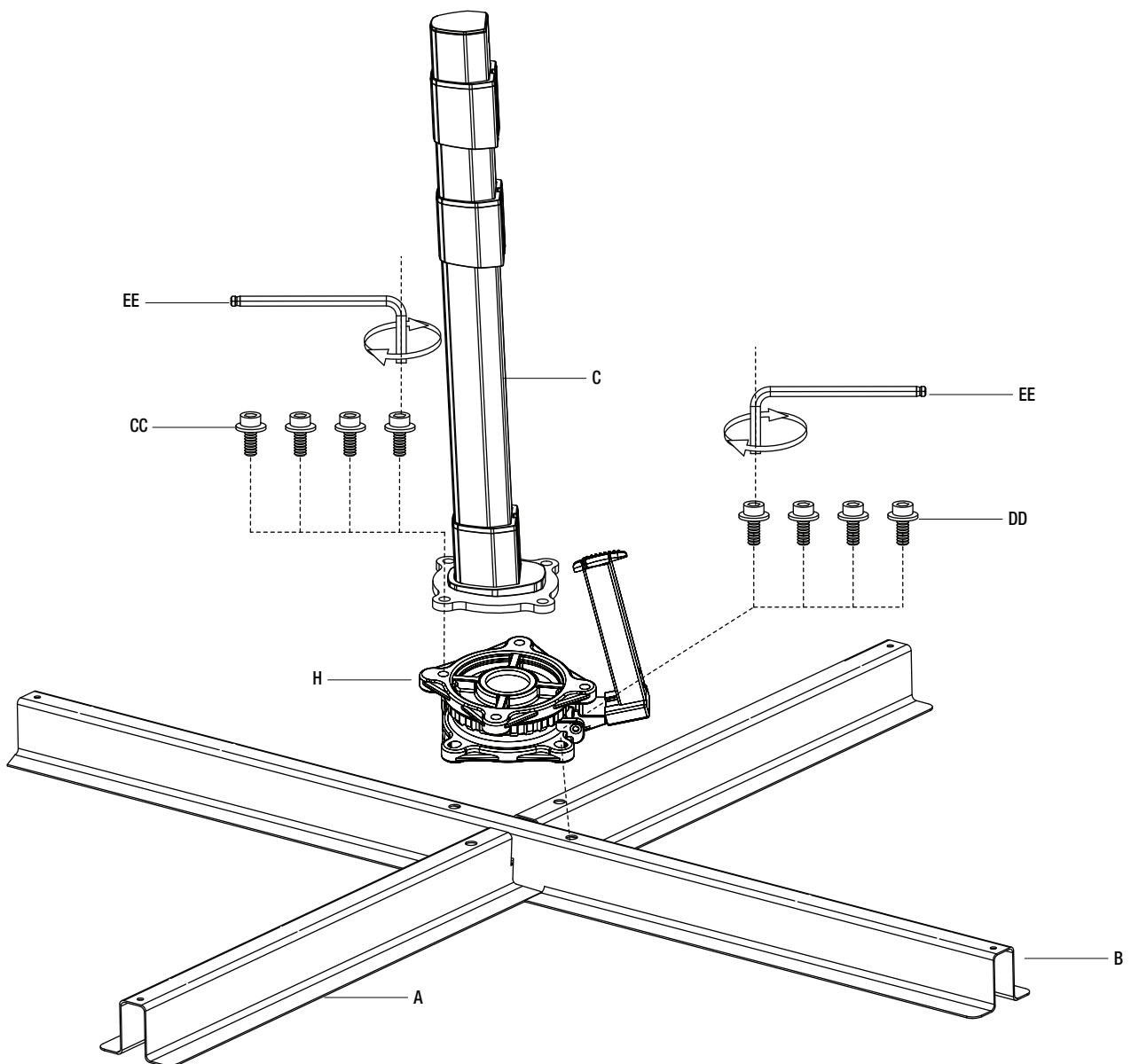
- Pull out the lower umbrella pole (D) from the base tube (C).



## Assembly (continued)

### 4 Attaching the turn plate to the brackets

- Attach the turn plate (H) to the brackets (A & B) using M10x25 combination bolts (DD) and the M10 hex wrench (EE).
- Attach the base tube (C) to the turn plate (H) using M10x22 combination bolts (CC) and the M10 hex wrench (EE).

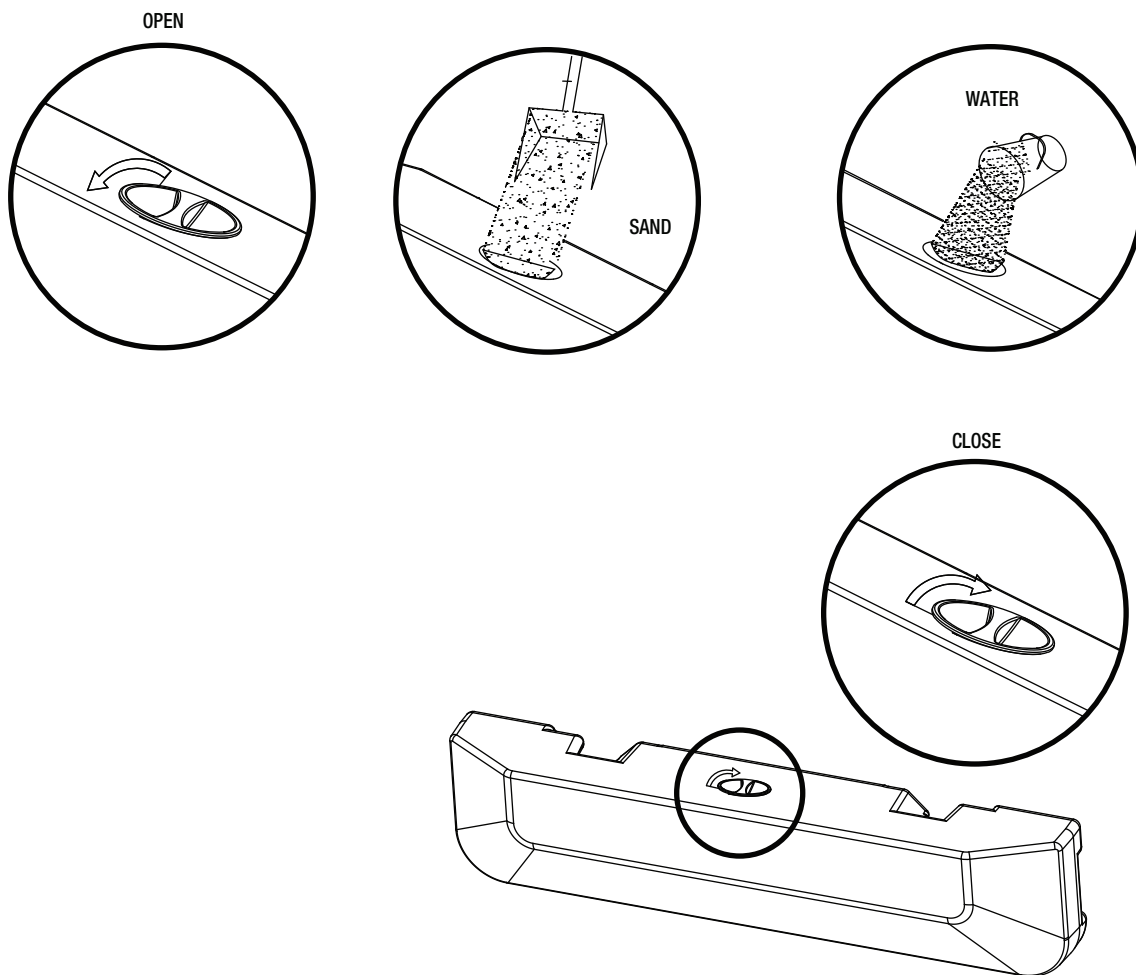




## Assembly (continued)

### 5 Pouring sand and water into the bases

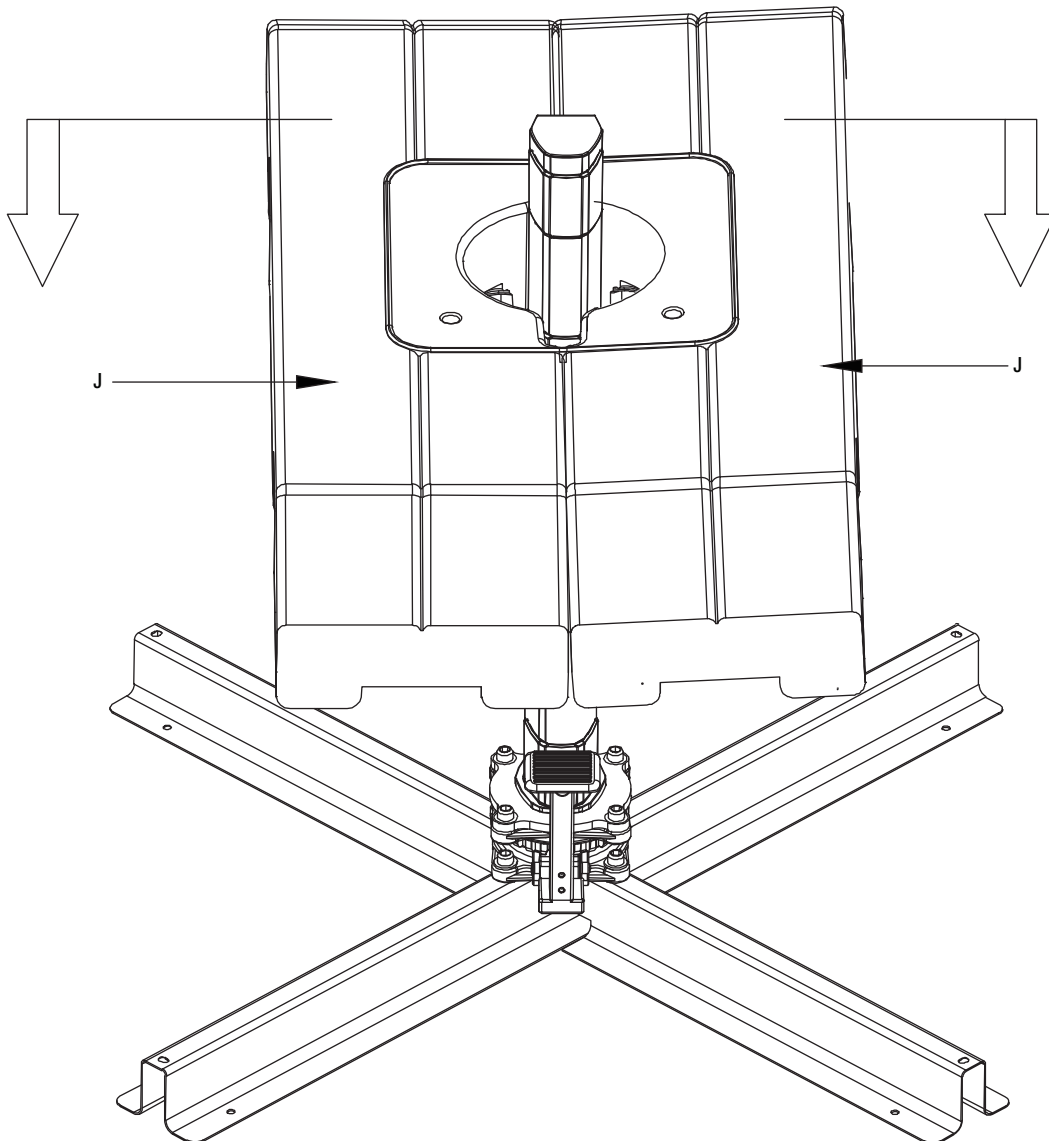
- Open the side bases (I) and the middle bases (J) in the counterclockwise direction.
- Pour sand and water into the side bases (I) and the middle bases (J).
- Close the side bases (I) and the middle bases (J) in the clockwise direction.



## Assembly (continued)

### 6 Attaching the middle bases to the brackets

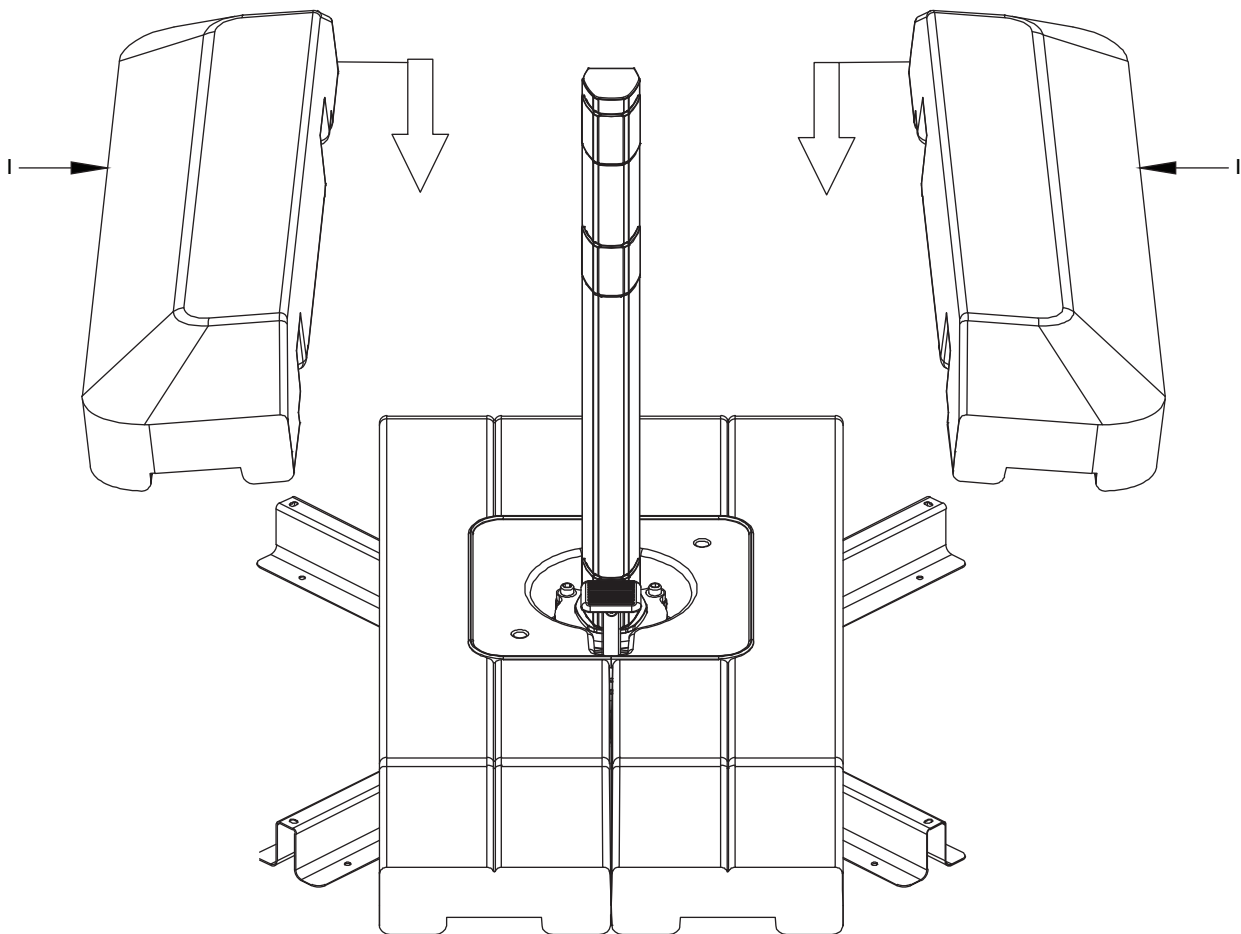
- Attach the middle bases (J) onto the brackets (A & B).



## Assembly (continued)

### 7 Attaching the side bases to the brackets

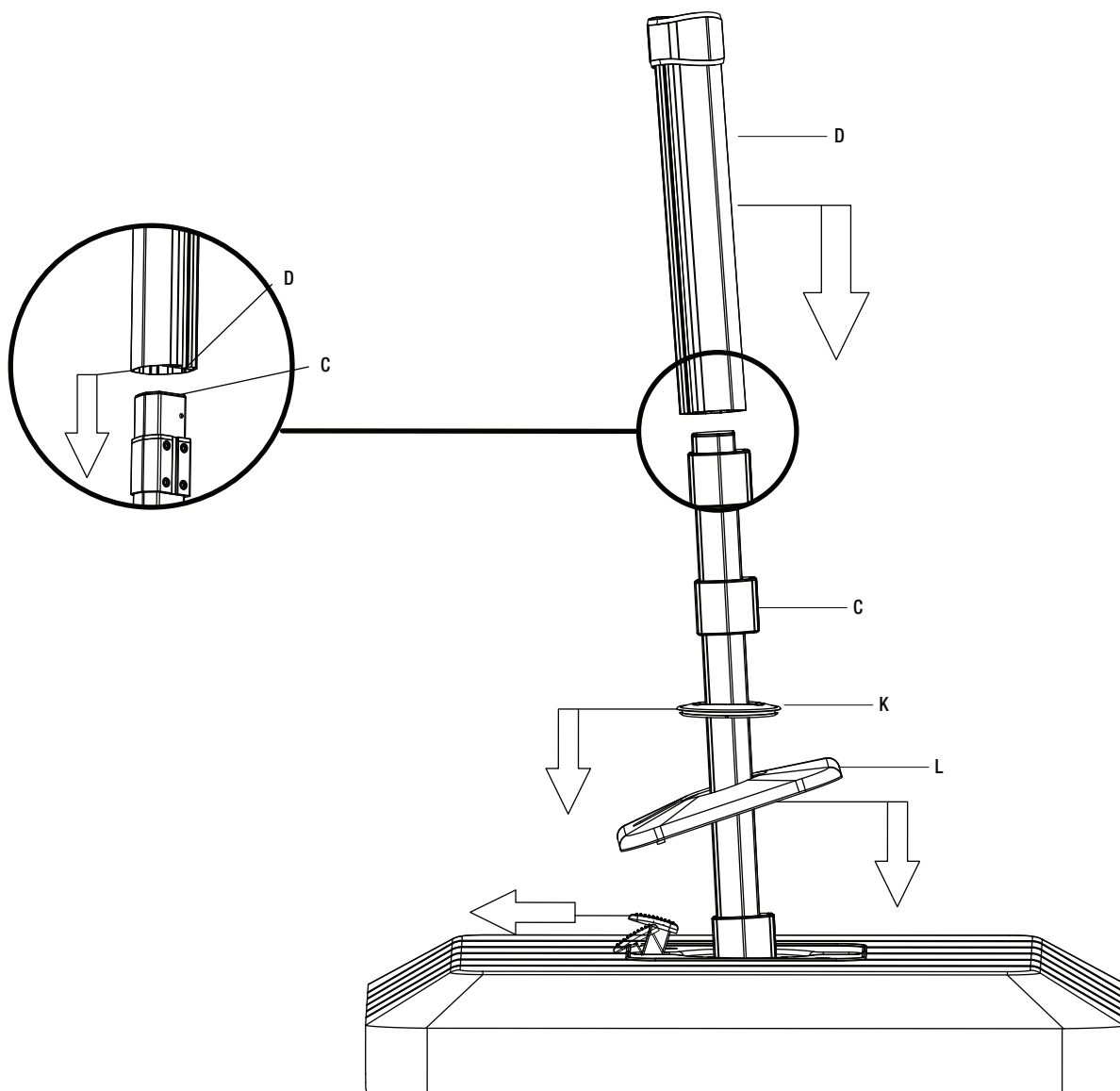
- Attach the side bases (I) to the bracket (A & B).



## Assembly (continued)

### 8 Inserting the middle umbrella pole into the base tube

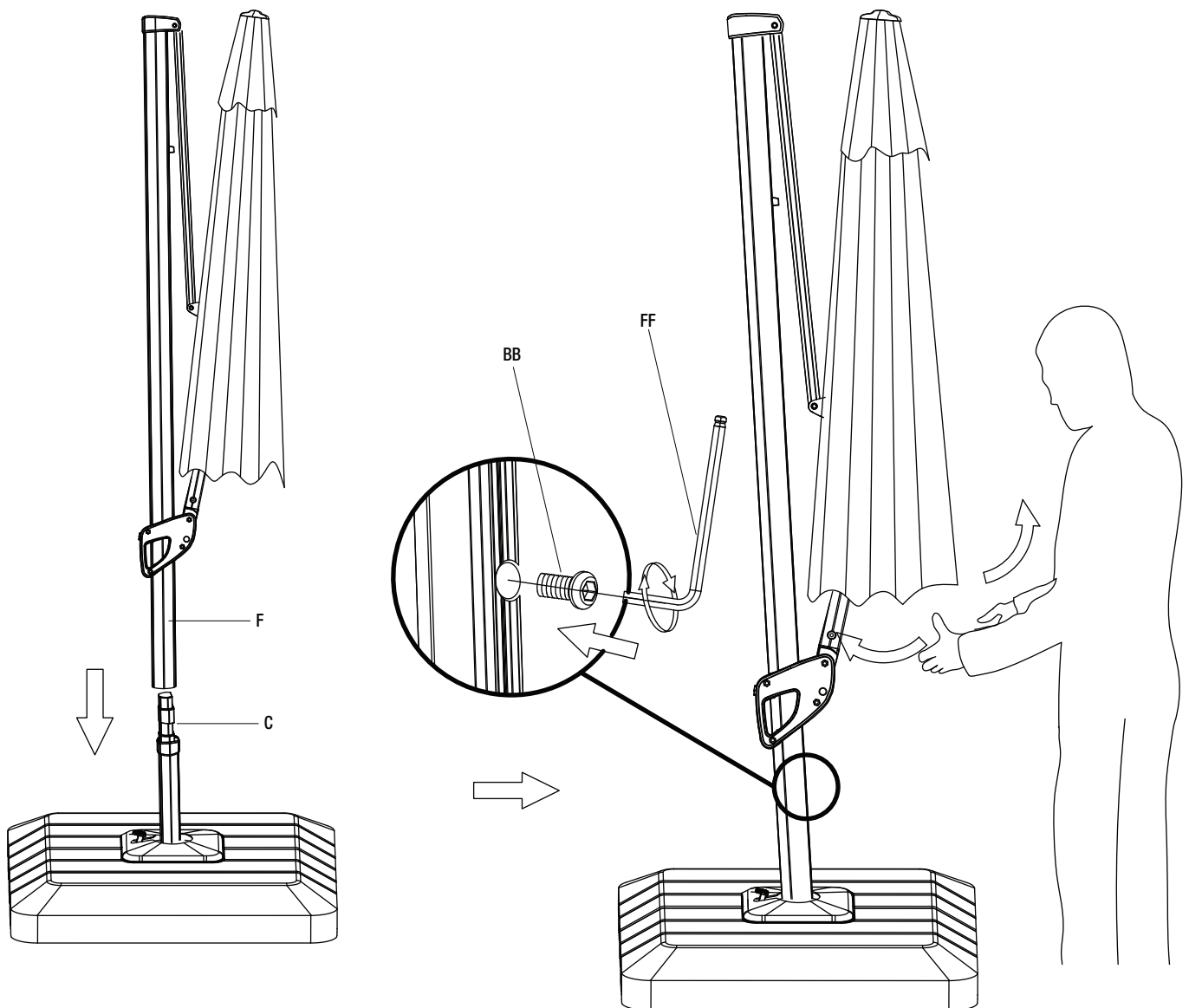
- Insert the lower base cover (L) into the base tube (C).
- Insert the upper base cover (K) into the base tube (C).
- Insert the lower umbrella pole (D) into the base tube (C).



## Assembly (continued)

### 9 Connecting the umbrella shade into the base tube

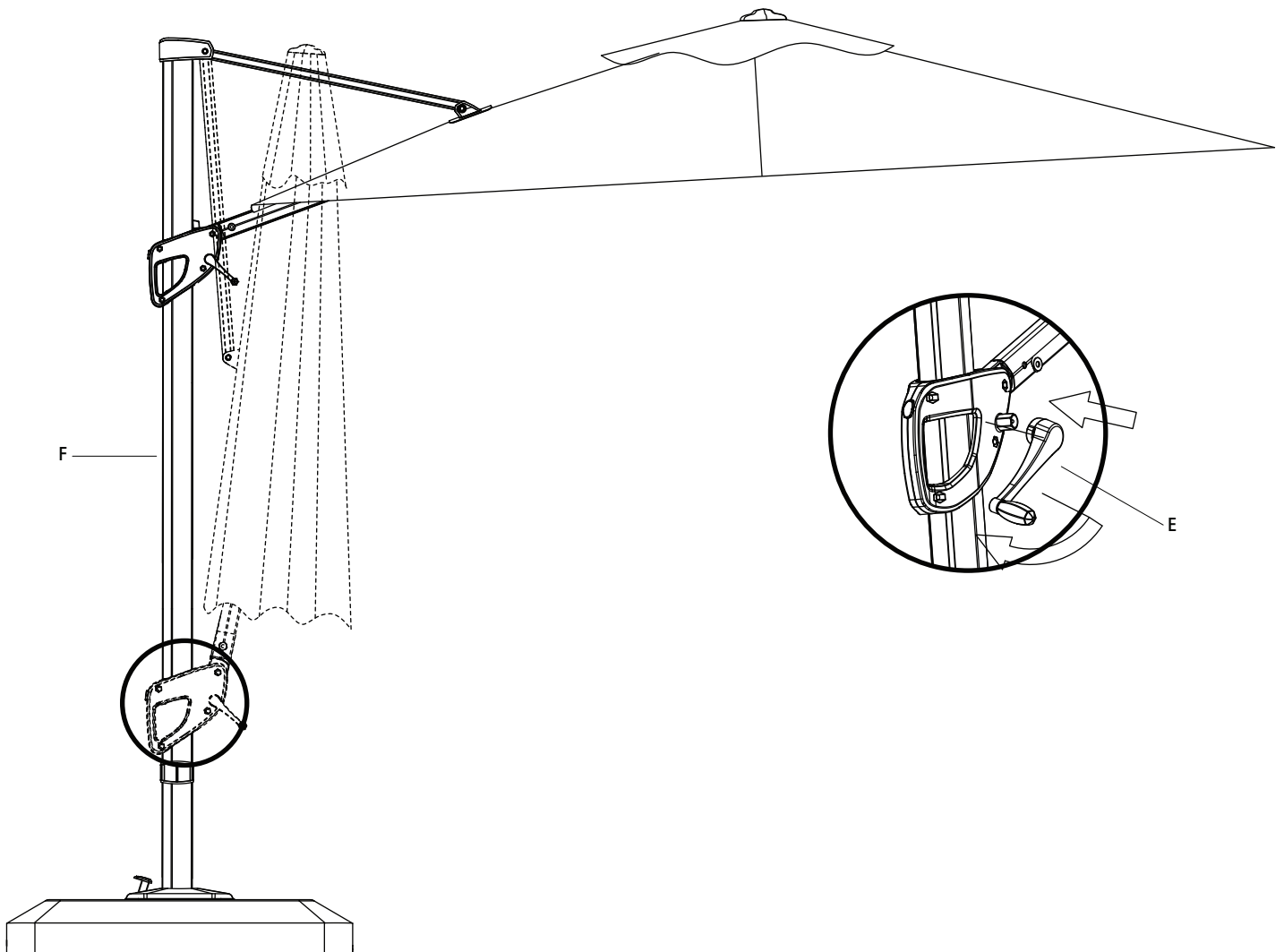
- Connect the umbrella shade (F) into the base tube (C) using one M6x15 bolt (BB) and M6 hex wrench (FF).



## Assembly (continued)

### 10 Attaching the crank to the umbrella shade

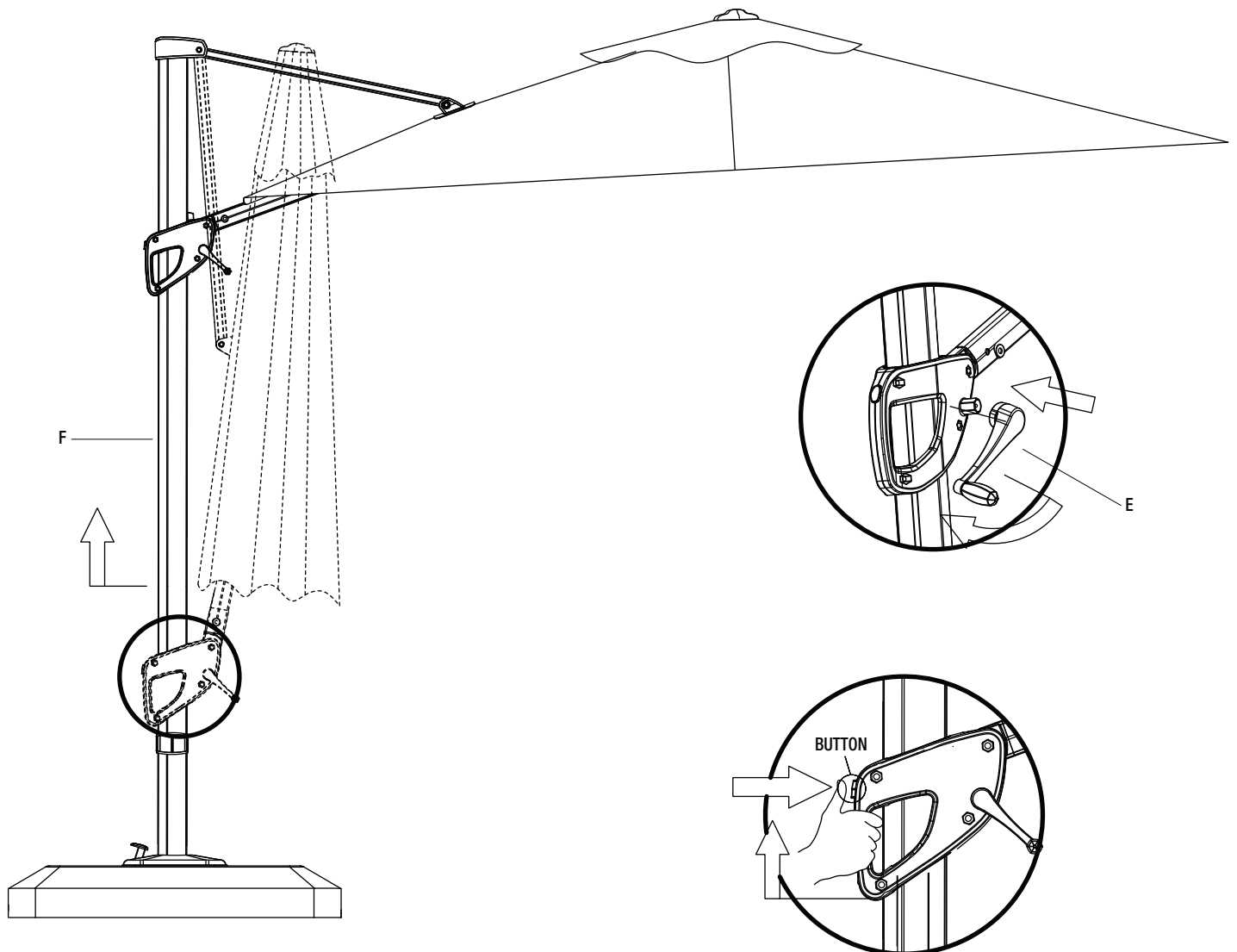
- Attach the crank (E) to the umbrella shade (F).



# Operation

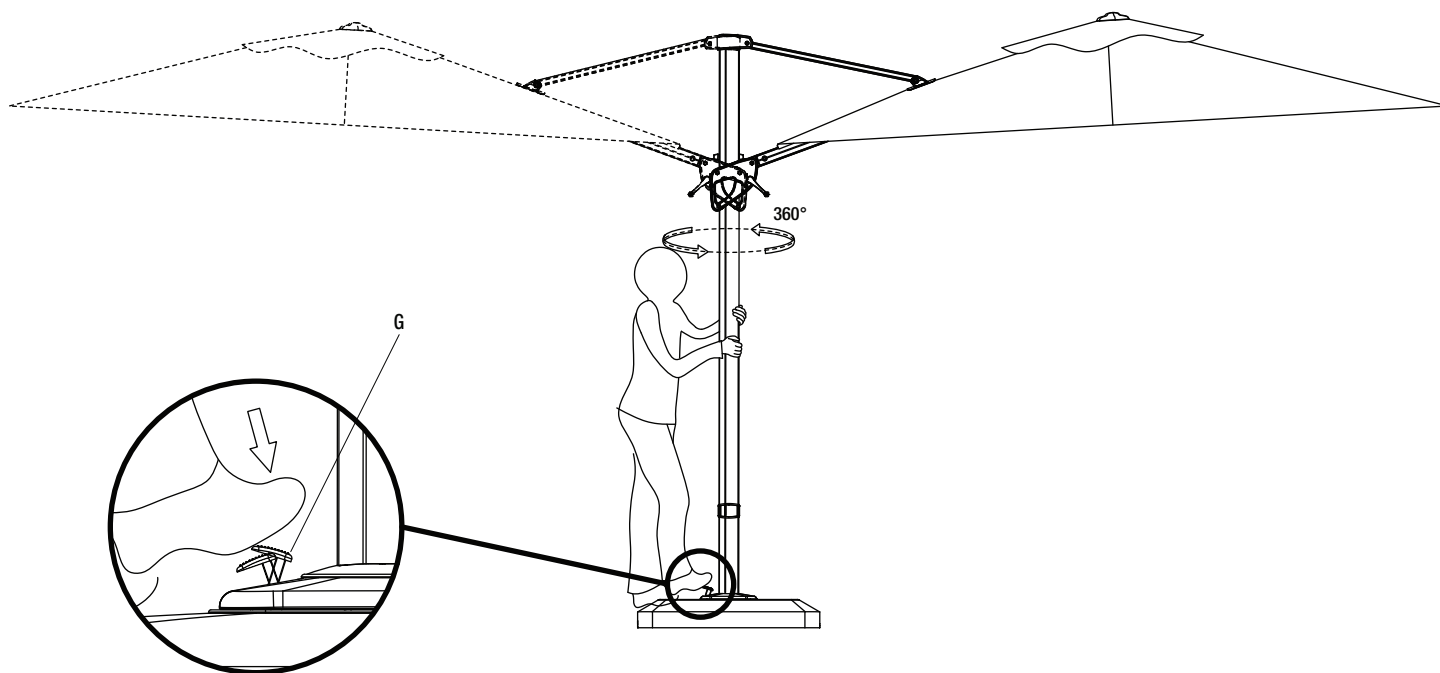
## 1 Opening the umbrella

- Shake the umbrella fabric before opening the umbrella.
- Press the button on the umbrella shade (F) and slowly turn the crank (E) clockwise to open the umbrella.



### 2 Rotating the umbrella

- Hold the pedal (G) with one foot and rotate the umbrella pole (The umbrella can rotate up to 360 degrees).

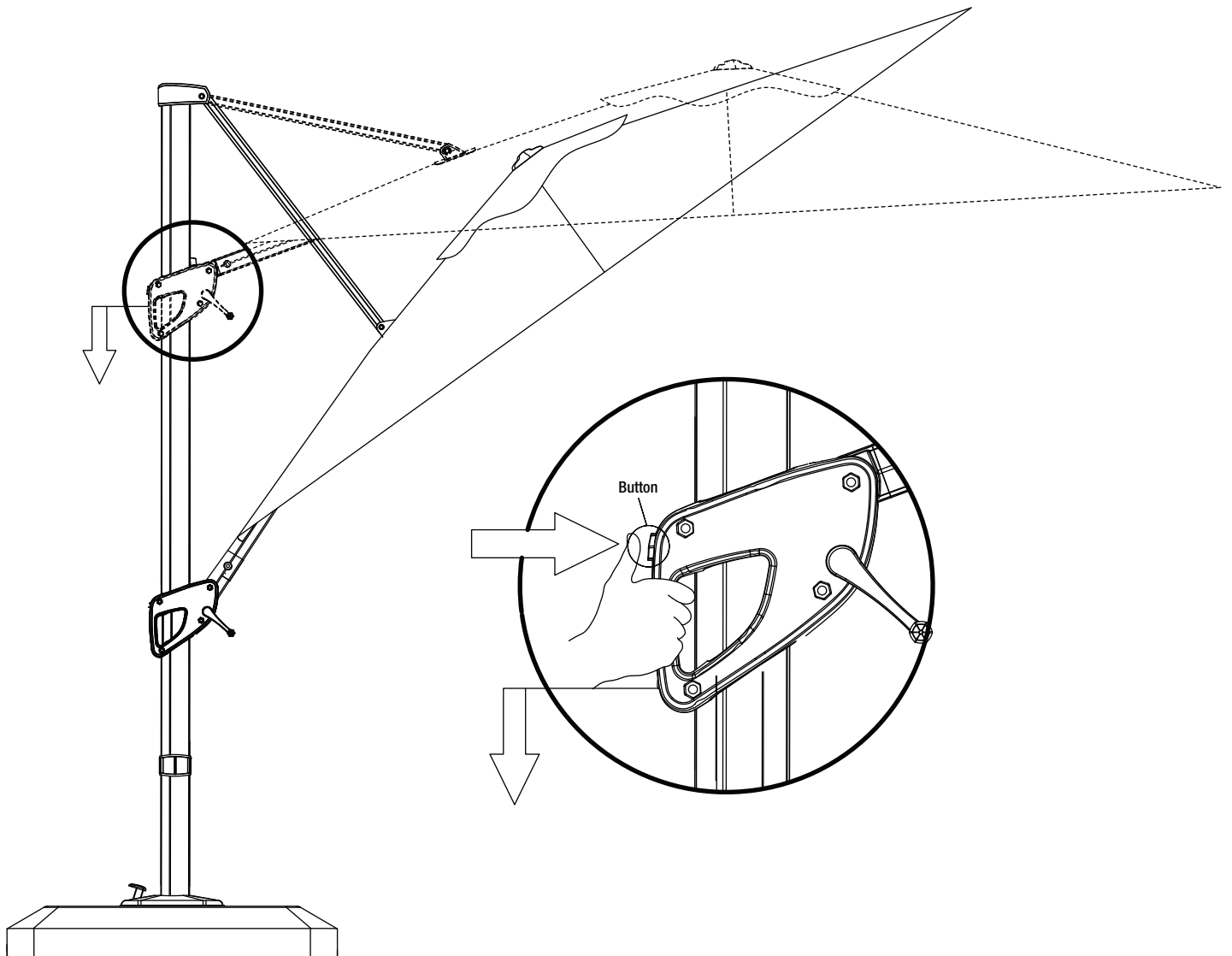




## Operation (continued)

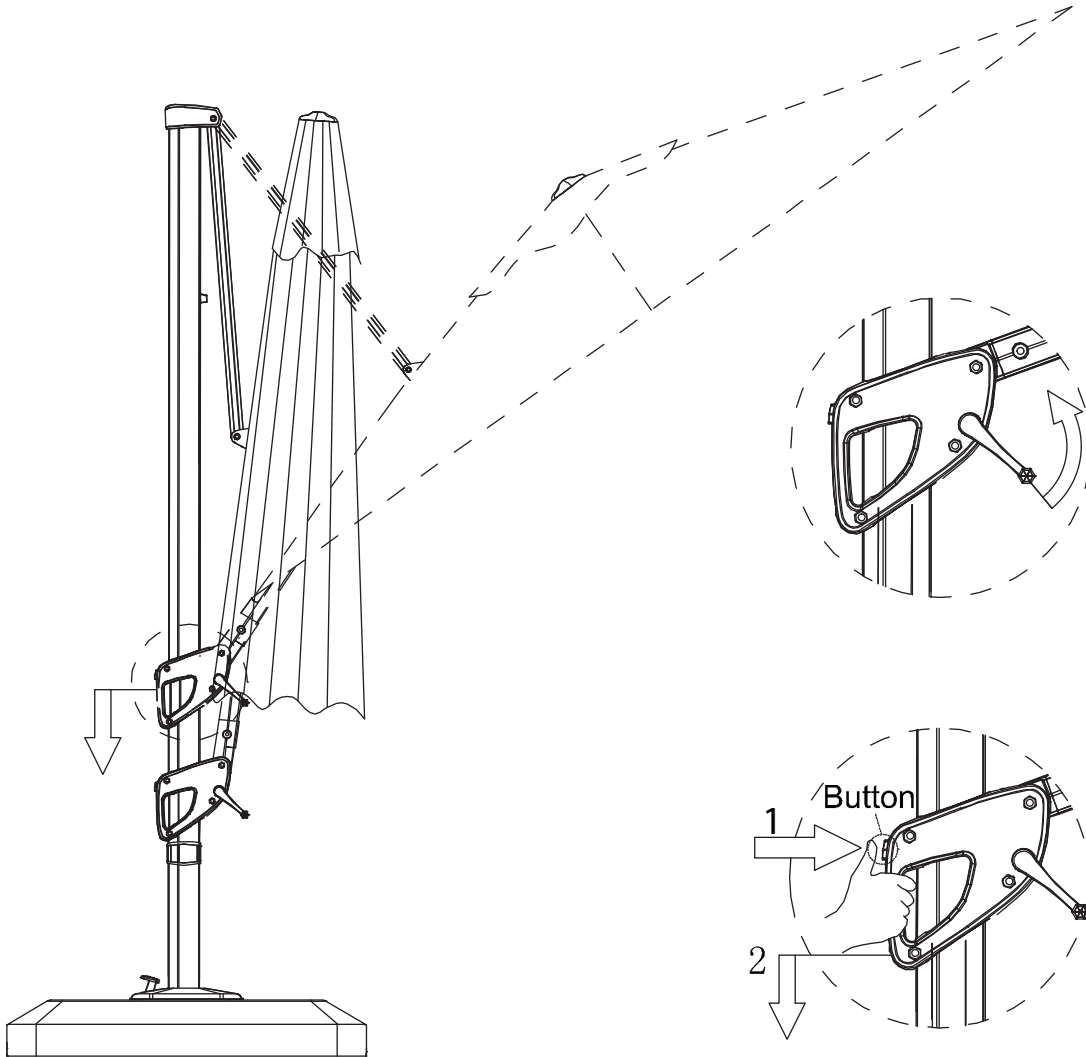
### 3 Tilting the umbrella

- To tilt the umbrella, push the button on the top of the umbrella shade (F), and push up or push down to desired position.



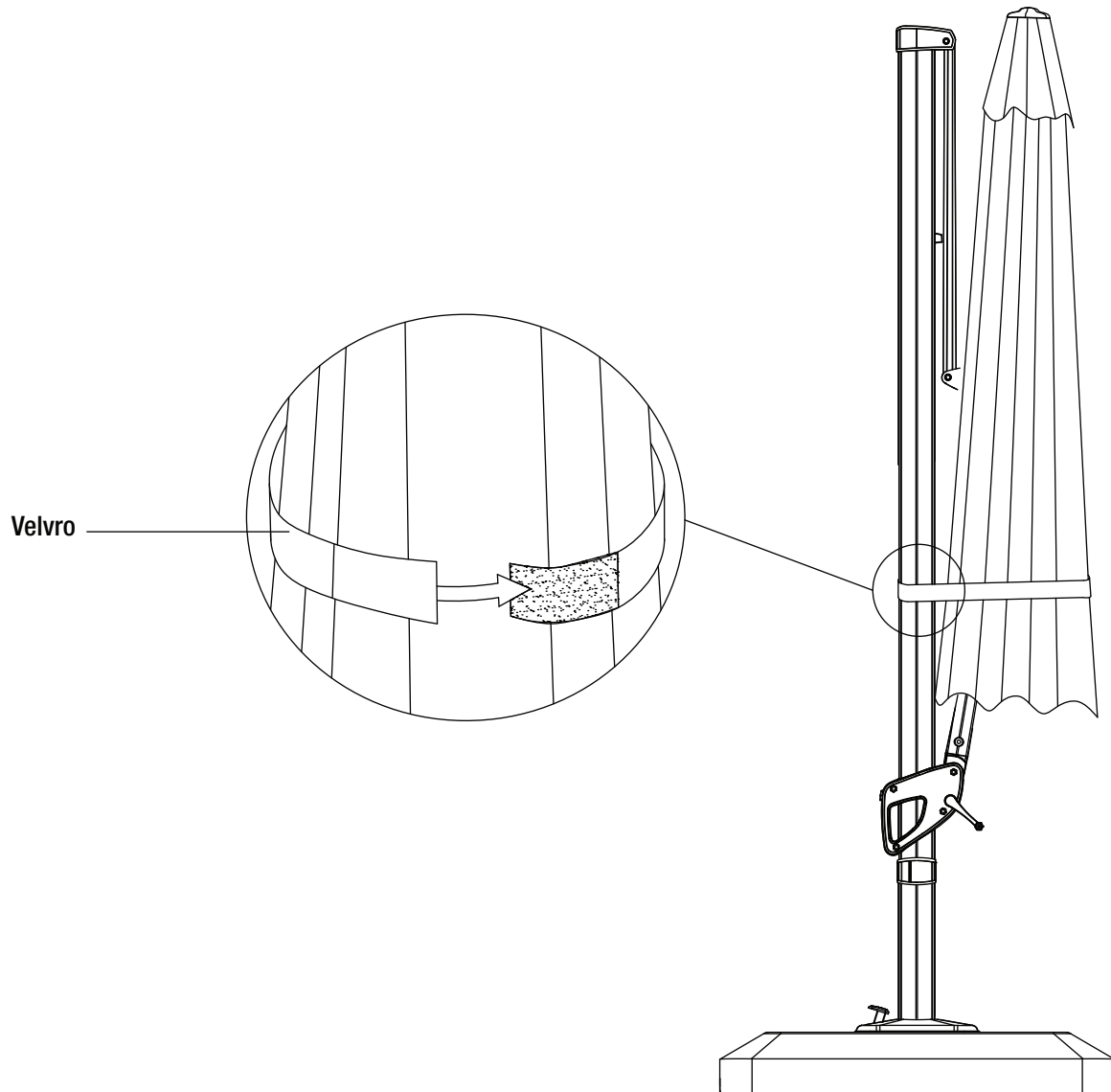
## 4 Closing the umbrella

- Slowly turn the crank in a counterclockwise direction to close the umbrella.
- Press the button on the umbrella shade (F) and push down.



### 5 Tie the umbrella to the umbrella pole

- Tie the umbrella to the umbrella pole with the Velcro belt when not in use.



## Operation (continued)

### 6 Attaching and detaching the crank

- Attach the crank (E) without using the tap as shown in figure 1. To detach the crank (E), just take the crank out.
- Attach the crank (E) to the handle as shown in figure 2. Attach the crank (E) by aligning the tap with the hole on the crank (E) until it snaps into place. To detach the crank, the hex wrench (FF) is required to press the tap to take the crank (E) out.

Figure 1

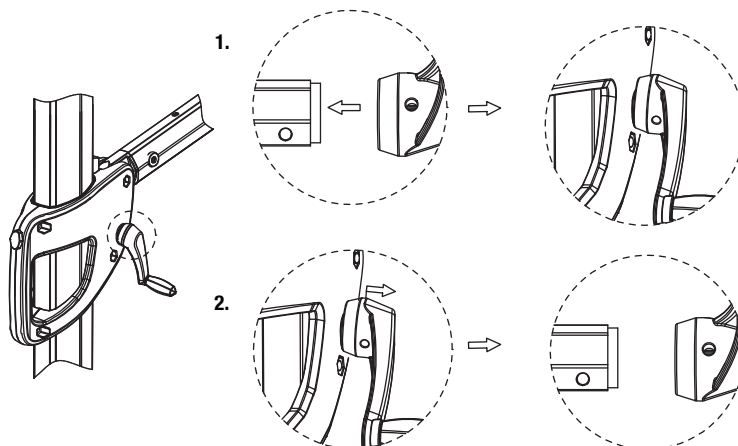
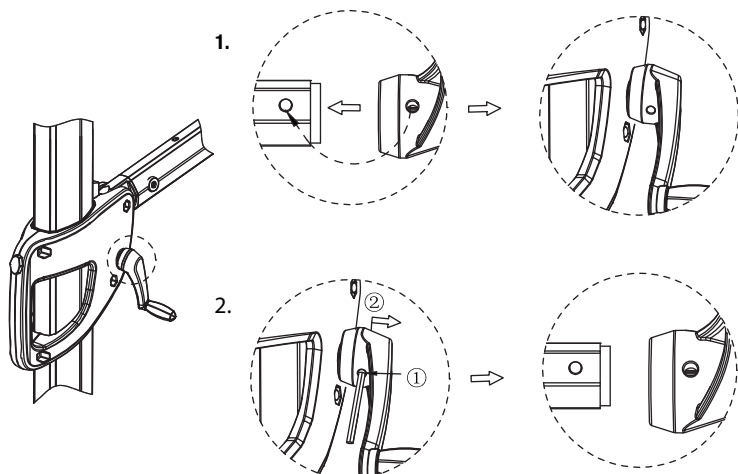


Figure 2



## Care and Cleaning

- For best results, clean the umbrella with damp cloth and dry thoroughly. This will help prevent mildew by removing dirt particles that may accumulate.
- Do not clean with abrasive materials, bleach, or solvents.
- Store the umbrella, sheltered place when not in use.
- Keep the umbrella away from fire, extreme heat, freezing conditions, and inclement weather such as rain, hail, sleet, snow, or wind.

# HAMPTON BAY<sup>®</sup>

Questions, problems, missing parts? Before returning to the store,  
call Hampton Bay Customer Service.  
8 a.m. - 7 p.m., EST, Monday - Friday, 9 a.m. - 6 p.m., EST, Saturday

**1-855-HD-HAMPTON**

**HAMPTONBAY.COM**

Retain this manual for future use.