

Model No. RG-T810LA

READ AND SAVE THESE INSTRUCTIONS

Thank you for purchasing this Panasonic product. Please read these instructions carefully before attempting to install, operate or service the Panasonic product. Please carefully read the "GENERAL SAFETY INFORMATION". Failure to comply with instructions could result in personal injury or property damage. Please explain to users how to operate and maintain the product after installation and this manual should be presented to users. Please retain this manual for future references.

■ See page 12 for "Panasonic Warranty Sheet".

GENERAL SAFETY INFORMATION

For Your Safety

To reduce the risk of injury, loss of life, electric shock, fire, malfunction, and damage to equipment or property, always observe the following safety precautions.

Explanation of symbol word panels

The following symbol word panels are used to classify and describe the level of hazard, injury, and property damage caused when the denotation is disregarded and improper use is performed.

WARNING Denotes a potential hazard that could result in serious injury or death.

CAUTION Denotes a hazard that could result in minor injury.

NOTICE Denotes a hazard that could result in property damage.

The following symbols are used to classify and describe the type of instructions to be observed.

! This symbol is used to alert users to a specific operating procedure that must be followed in order to operate this unit safely.

⊘ This symbol is used to alert users to a specific operating procedure that must not be performed.

⊘ This symbol is used to alert users not to disassemble the equipment.

⚡ This symbol is used to alert users to make sure of grounding when using the equipment with the grounding terminal.

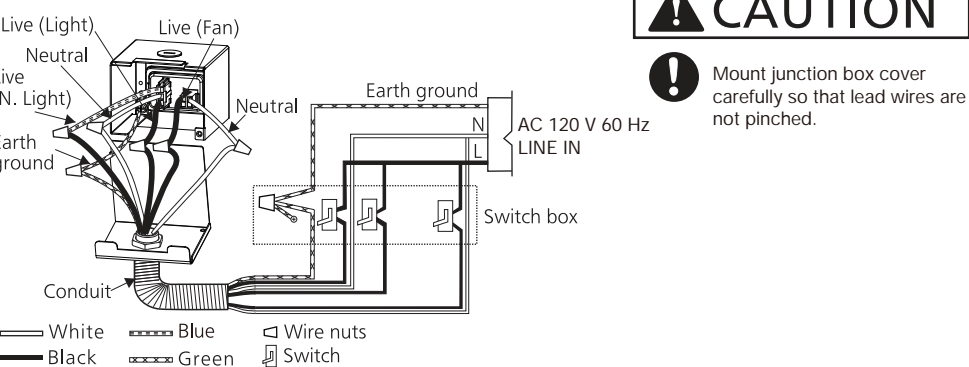


INSTALLATION I (JOIST MOUNTING) CONTINUED

3 Remove junction box cover and secure conduit or stress relief to the opened knock-out hole.

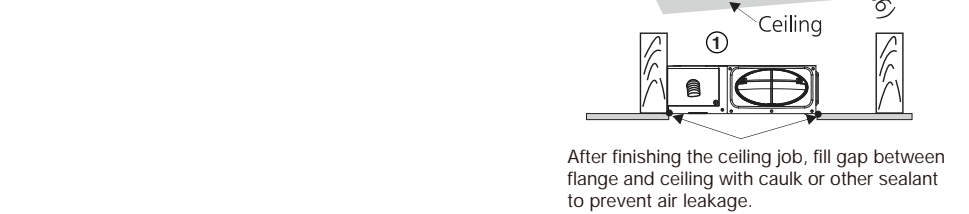
3 Connect wires

1 Refer to wiring diagram (P.5), follow all the local electrical safety codes as well as the National Electrical Code (NEC). Using UL approved wire nuts, connect house power wires to ventilating fan wires.



4 Finish ceiling work

1 Finish ceiling work. Ceiling hole should be aligned with the inside edge of the flange.



GENERAL SAFETY INFORMATION (CONTINUED)

WARNING

To reduce the risk of fire, electric shock or injury to persons, observe the following:

- Use this unit only in the manner intended by the manufacturer. If you have any questions, contact the manufacturer.
- Before servicing or cleaning unit, switch power off at service panel and lock the service disconnecting means to prevent power from being switched on accidentally. When the service disconnecting means cannot be locked, securely fasten a prominent warning device, such as a tag, to the service panel.
- Installation work and electrical wiring must be done by qualified person(s) in accordance with all applicable codes and standards, including fire-rated construction.
- Sufficient air is needed for proper combustion and exhausting of gases through the flue (chimney) of fuel burning equipment to prevent back drafting. Follow the heating equipment manufacturer's guideline and safety standards such as those published by the National Fire Protection Association (NFPA), and the American Society of Heating, Refrigerating and Air-Conditioning Engineers (ASHRAE) and the local code authorities.
- When cutting or drilling into wall or ceiling, do not damage electrical wiring and other hidden utilities.
- Ducted exhaust fans must always be vented to the outdoors.
- These models are UL listed for tub and shower enclosures.

- If this product is no longer to be used, it must be removed from the ceiling to prevent it from falling.
- The ceiling joist or wall stud must be able to withstand a static load of at least five times the weight of the product.
- Install the fan at least 1.5 m (5 feet) above the floor.
- If this unit is to be installed over a tub or shower, it must be marked as appropriate for the application and be connected to a GFCI (Ground Fault Circuit Interrupter) - protected branch circuit.

This product must be properly grounded.

Do not install with a method which is not approved in the instructions.

Do not use this fan with any solid-state speed control device. Solid state controls may cause harmonic distortion which can cause a humming noise in the motor.

Not to be installed in a ceiling thermally insulated to a value greater than R60.

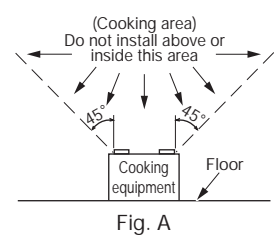
Do not disassemble the unit for reconstruction. It may cause fire or electric shock.

CAUTION

- Follow all local electrical and safety codes, as well as the National Electrical Code (NEC) and the Occupational Safety and Health Administration (OSHA).
- Make sure that the electric service supply voltage is AC 120 V 60 Hz.
- Always disconnect the power source before working on or near the fan, motor, light fixture or junction box.

GENERAL SAFETY INFORMATION (CONTINUED)

- Protect the supply wiring from sharp edges, oil, grease, hot surfaces, chemicals or other objects.
- The special-purpose or dedicated parts, such as mounting fixtures, must be used if such parts are provided.
- Please wear gloves to protect hands during installation.
- Do not install this ventilating fan in a location where the interior room temperature may exceed 104 °F (40 °C).
- For general ventilating use only. Do not use to exhaust hazardous or explosive materials and vapors.
- Do not kink the supply wiring.
- Not for use in cooking area. (Fig. A)

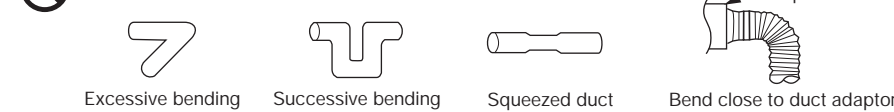


NOTICE

Provide make up air for proper ventilation.

Do not connect multiple units in parallel. If two or more units are connected to one switch in parallel, the units may not function.

Do not install the unit where ducts are configured as shown in below:



DESCRIPTION

These products are listed by UL under UL file No. E78414. These products use a sirocco fan driven by a DC motor powered by an integral transformer. The motor is designed to have long operating life, high dynamic response, higher speed ranges and energy savings. The grille covering the fan body is a spring-loaded, quick removal type. A damper for preventing air counter flow is provided. The blower uses a high-capacity sirocco fan developed to reduce the noise level. The lighting unit is an energy-saving LED lighting device that uses one 10 W LED lamp and produces almost the same illumination as a standard 40 W incandescent lamp. Night light feature consumes around 0.1 to 0.4 W.

FCC Note: This equipment has been tested and found to comply with the limits for a Class B digital device, pursuant to Part 15 of the FCC Rules. These limits are designed to provide reasonable protection against harmful interference in a residential installation. This equipment generates, uses and can radiate radio frequency energy and, if not installed and used in accordance with the instructions, may cause harmful interference to radio communications. However, there is no guarantee that interference will not occur in a particular installation. If this equipment does cause harmful interference to radio or television reception, which can be determined by turning this product on and off, the user is encouraged to try to correct the interference by one of the following measures:

- Reorient or relocate the receiving antenna.
- Increase the separation between the equipment and receiver.
- Connect equipment into outlet on a circuit different from that to which the receiver is connected.
- Consult the dealer or an experienced radio/TV technician for help.

Warning: This equipment must be installed by a qualified person in accordance with the provided installation instructions and all applicable codes and standards. Also, any changes or modifications not expressly approved by the party responsible for compliance could void the user's authority to operate this equipment.

SDoC Responsible Party: Panasonic Corporation of North America

Two Riverfront Plaza, Newark, NJ 07102

1-866-292-7299

Customer Call Center:

DESCRIPTION (CONTINUED)

This device complies with Part 15B of the FCC Rules. Operation is subject to the following two conditions: (1) This device may not cause harmful interference, and (2) this device must accept any interference received, including interference that may cause undesired operation. Type IC - Interference Protected.

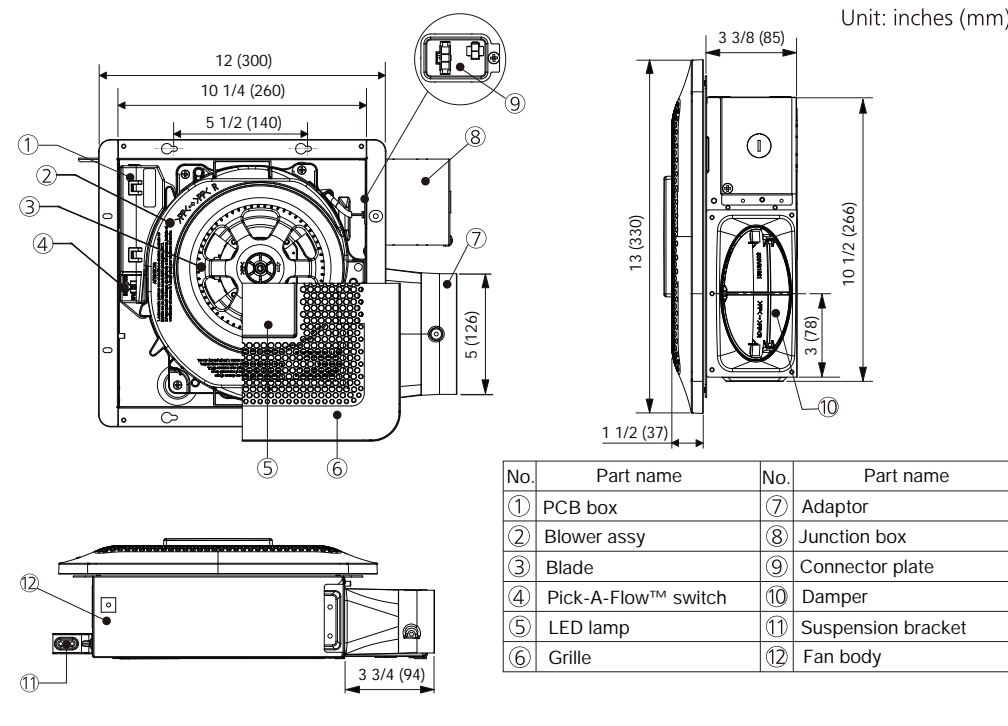
UNPACKING

Unpack and carefully remove the unit from carton. Refer to the Supplied Accessories list to verify that all parts are present.

SUPPLIED ACCESSORIES

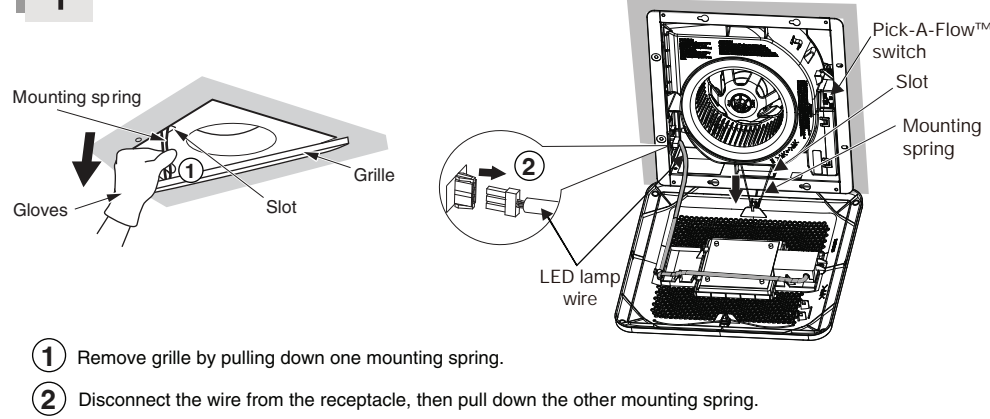
Part name	Appearance	Quantity
Grille		1
Installation instructions/Warranty sheet		1
Long screw (ST4.2X30)		5 (1 for spare)

DIMENSIONS

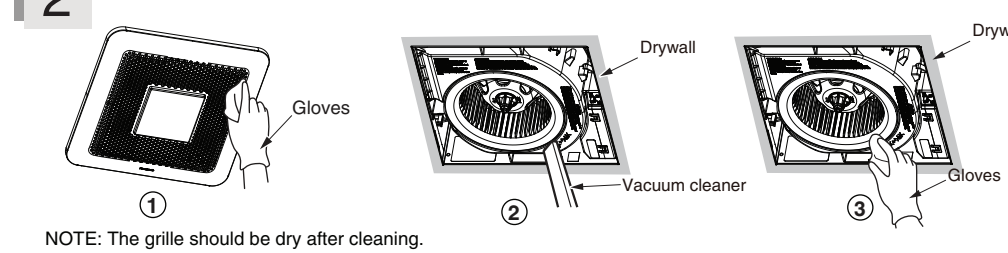


MAINTENANCE (CLEANING)

1 Remove grille



2 Maintenance of unit



NOTE: The grille should be dry after cleaning.

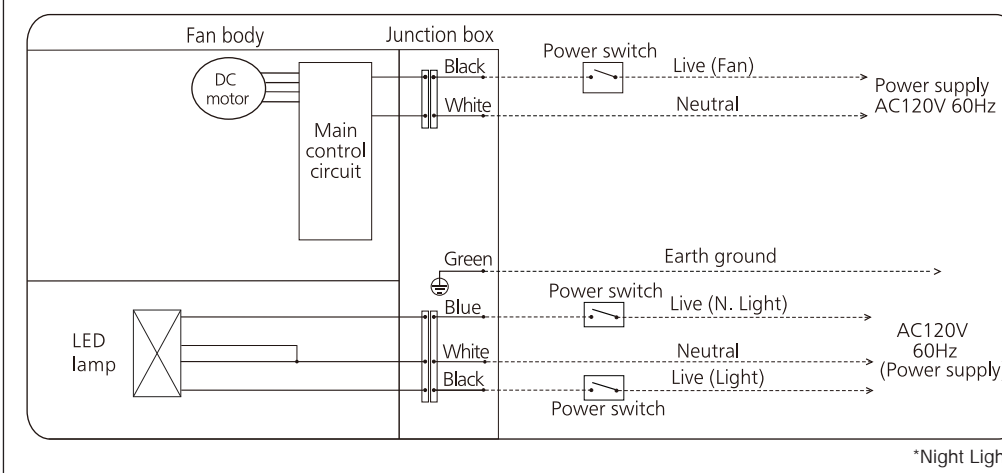
- Clean grille. (Don't put into water. Use non-abrasive kitchen detergent, wipe dry with a clean cloth).
- Remove dust and dirt from fan body using a vacuum cleaner.
- Using a cloth dampened with kitchen detergent, remove any dirt from fan body. Wipe dry with a clean cloth. Reinstall grille after finishing.

HVI Certified performance based on HVI Procedures 915, 916, and 920.

PRODUCT SERVICE

Warning Concerning Removal of Covers. The unit should be serviced by qualified technicians only. Your product is designed and manufactured to ensure a minimum of maintenance. Should your unit require service or parts, call Panasonic Call Center at 1-866-292-7299 (USA).

WIRING DIAGRAM



FEATURE

These products employ innovative, state-of-the-art technologies that provide a number of customizable unique features that lead to improved indoor air quality. Please read this manual first in order to realize the benefits of this customizable, modular fan.

Optimum Ventilation Performance:

Duct length, elbows and other factors increase static pressure which can hinder the performance of most ventilation fans. These products utilize SmartFlow™ microchip technology that monitors the static pressure in the system and speeds up or slows down the rpm of the fan depending upon the amount of resistance within the ducts. This feature allows the fan to perform as rated and avoid potential installation issues. This feature allows the fan to perform as rated and avoid potential installation issues.

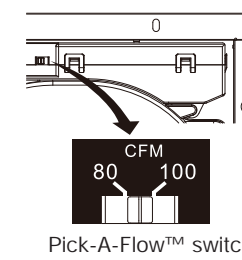
Outstanding Energy Savings:

These products are built using DC motor technology. The DC motor is 30% - 70% more energy efficient than the minimum ENERGY STAR requirements.

Pick-A-Flow™ Feature:

This product comes with Pick-A-Flow™ speed options. The Pick-A-Flow™ switch on the face of the product allows the option to choose 80 or 100 CFM. This product can run continuously or intermittently, depending upon the needs of the owner.

Air volume option (CFM)	Factory setting
80	100
100	80 CFM



Air volume option (CFM)	Factory setting
80	100
100	80 CFM

No.	Part name	No.	Part name
1	PCB box	7	Adaptor
2	Blower Assy	8	Junction box
3	Blade	9	Connector plate
4	Pick-A-Flow™ switch	10	Damper
5	LED lamp	11	Suspension bracket
6	Grille	12	Fan body

Customer Call Center:

INSTALLATION I (JOIST MOUNTING)

1 Open knock-out hole

1 Before installation, please remove the tape which protects the damper during shipping and accessory screws from the adaptor. Afterwards, check that the damper can open and close smoothly.

2 Open one knock-out hole on junction box.

Note:

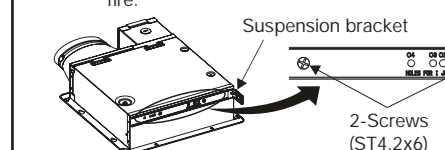
There are two knock-out holes, please open one which is convenient for wiring.

2 Install circular exhaust duct

1 Fix the flange of frame to joist by 2 long screws (ST4.2X30), and fix the suspension bracket to joist by 2 long screws (ST4.2X30).

CAUTION

! The screws for fixing suspension bracket should not be replaced by other screws, otherwise the cord in the PCB box may be damaged and cause a fire.



2 A 4 inch circular duct is needed to connect to the relevant part of adaptor. Squeeze a circular exhaust duct to fit the adaptor, then slip it onto adaptor and secure it with clamps, or ties and seal it with mastic or approved foil tape.

Note:

If using 3 inch round duct, please purchase the 26 gauge steel Panasonic 4" Oval - 3" Round reducer from our representative.