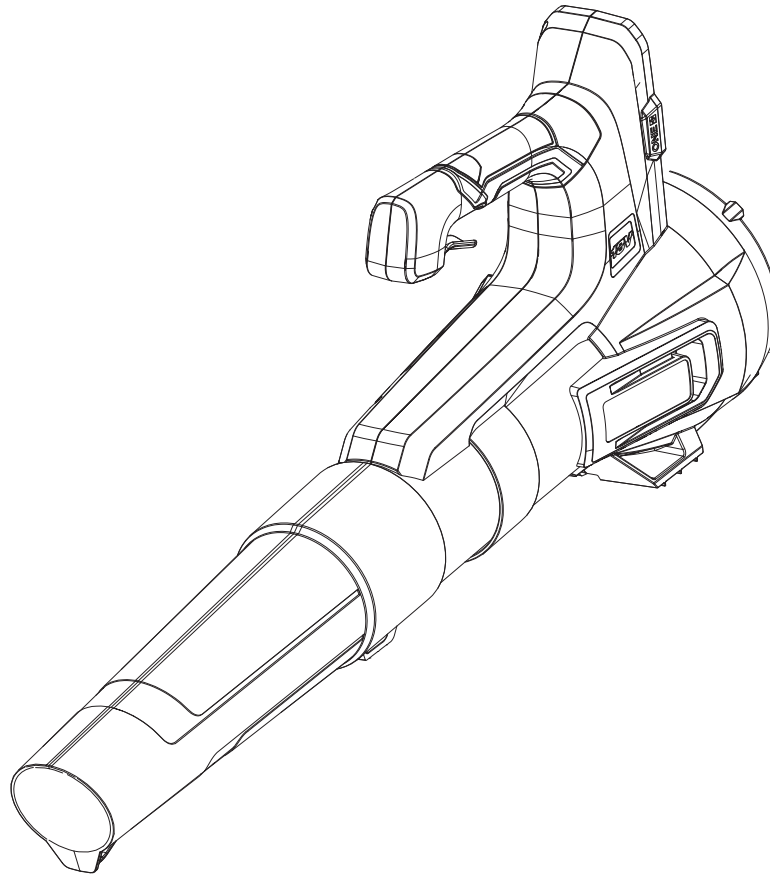


# REPAIR SHEET

BRAND <b>RYOBI</b>		DESCRIPTION <b>18 Volt Blower</b>
MODEL NO. <b>P21013VNM</b>	MFG. NO. <b>108722001</b>	

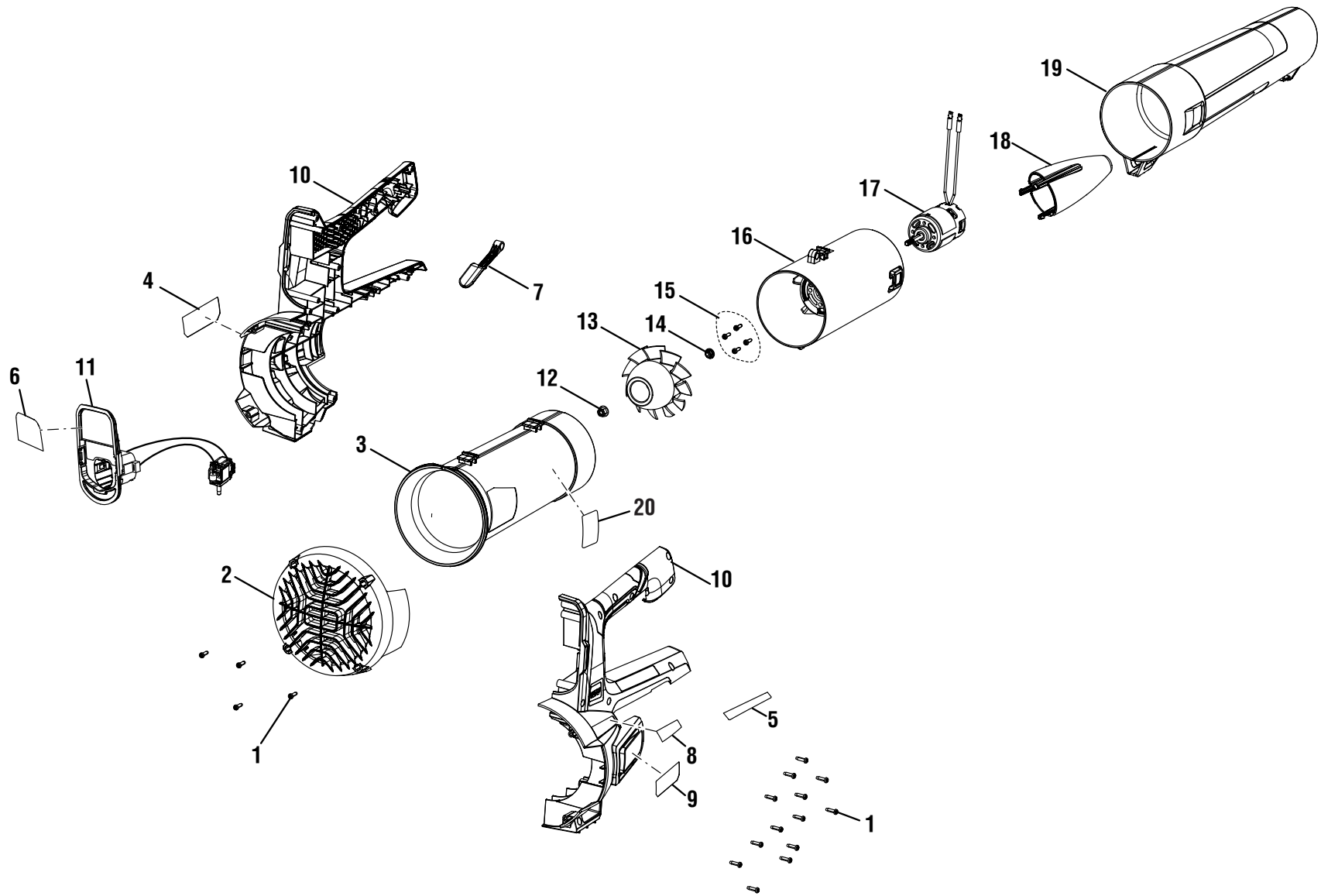


**TTI OUTDOOR POWER EQUIPMENT, INC.**

P.O. Box 1288, Anderson, SC 29622 ■ 1-800-525-2579 ■ [www.ryobitools.com](http://www.ryobitools.com)

2-22-22 (Rev:01)

*The model number and manufacturing location will be found on a label attached to the product. Always mention this information in all communications regarding this product and when ordering parts.*



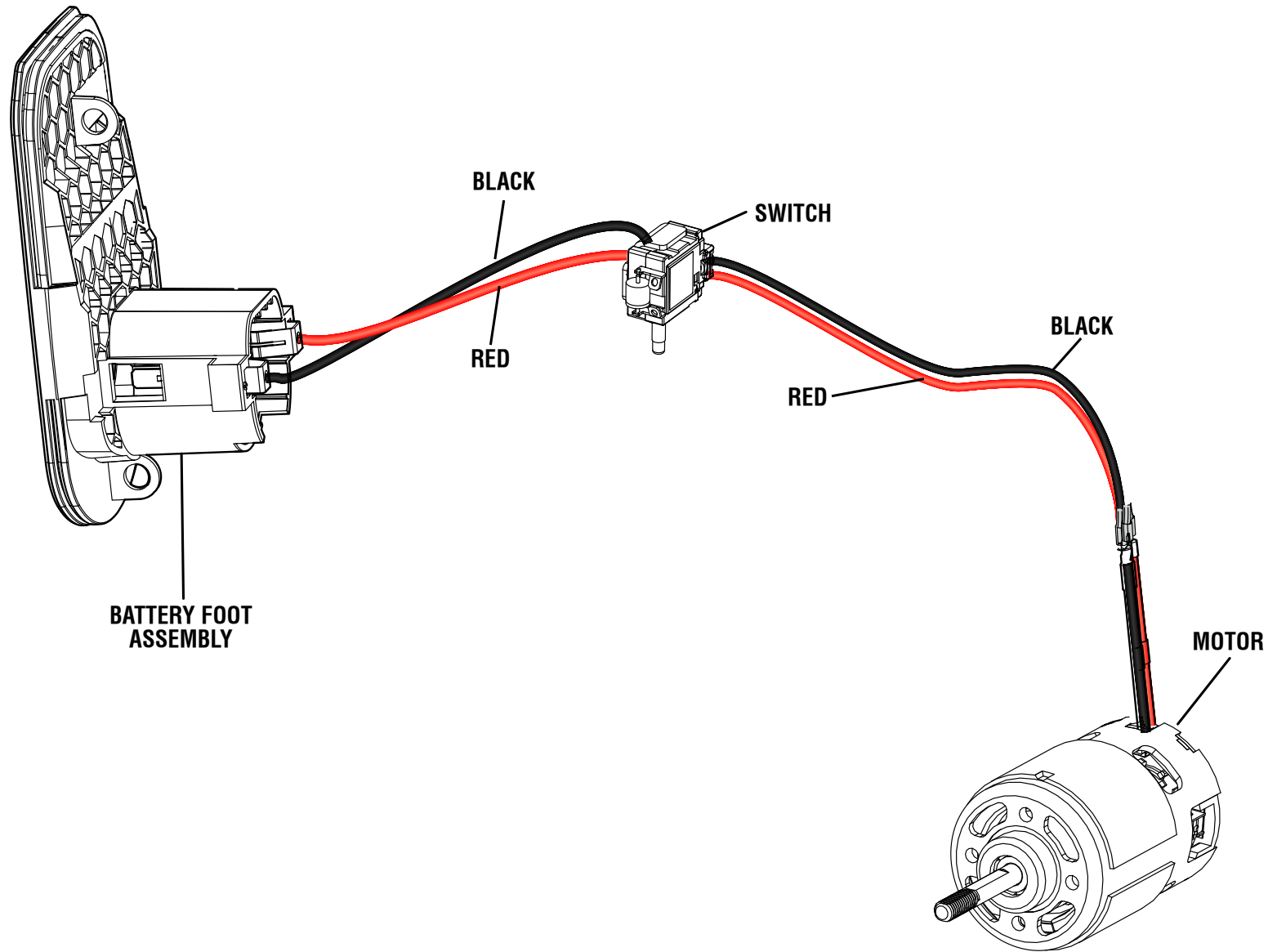


P21013VNM

PARTS LIST

KEY NO.	PART NO.	DESCRIPTION	QTY.
1	661817001	Screw (M4 x 13.5 mm, T15 Torx Pan Hd.)	17
2	541661001	Guard	1
3	205938003	Inlet Bell Assembly (Inc. Key No. 20)	1
4	941257002	Logo Label	1
5	941588962	Icon Label	1
6	941588960	Data Label	1
7	544190001	Trigger	1
8	941588961	Warning Label	1
9	941588963	Warning Label (FR/ SP)	1
10	205938002	Housing Assembly (Inc. Key Nos. 4-5 & 8-9)	1
11	292409001	Switch and Battery Foot Assembly (Inc. Key No.6)	1

KEY NO.	PART NO.	DESCRIPTION	QTY.
12	678774009	Flange Lock Nut (M6)	1
13	545011001	Fan	1
14	612854002	Bushing	1
15	660502002	Screw w/Tooth Washer (M5 x 11.1 mm, T15 Torx Pan Hd.)	4
16	544187001	Stator	1
17	742707002	Motor	1
18	544188001	Nose Cone	1
19	544189001	Tube	1
20	941110098	QR Label	1
	<b>Not Shown:</b>		
	998000689	Operator's Manual	1



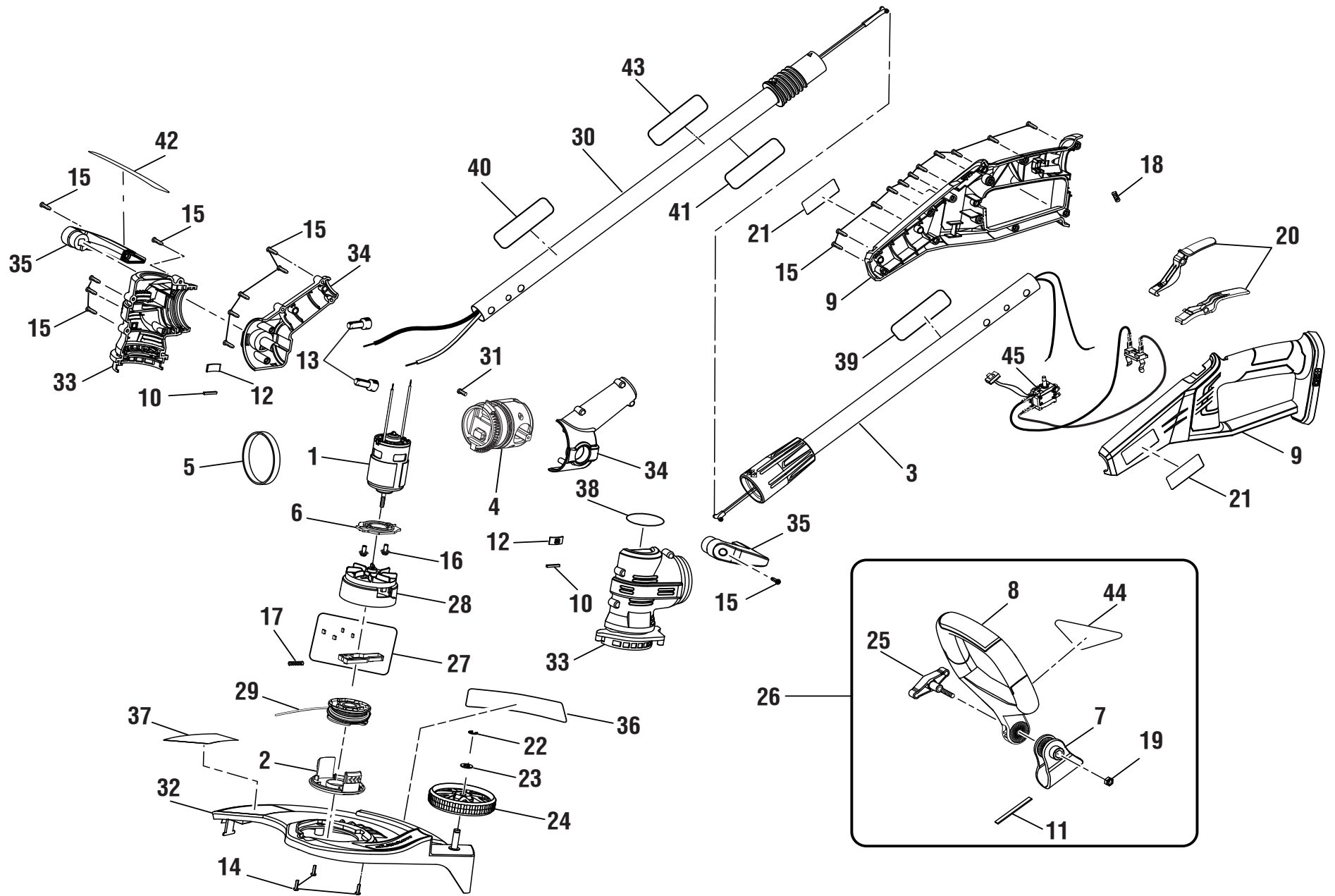
**WIRING DIAGRAM**

**RYOBI**  
**String Trimmer/Edger**  
**Model Nos. P2008/P2008VNM**  
**Mfg Nos. 107268001/107268101**  
**Repair Sheet**

**TECHTRONIC INDUSTRIES POWER EQUIPMENT**

P.O. Box 1288  
Anderson, SC 29622 USA  
1-800-860-4050  
[www.ryobitools.com](http://www.ryobitools.com)

RYOBI STRING TRIMMER/EDGER – MODEL NOS. P2008/P2008VNM



## RYOBI STRING TRIMMER/EDGER – MODEL NOS. P2008/P2008VNM

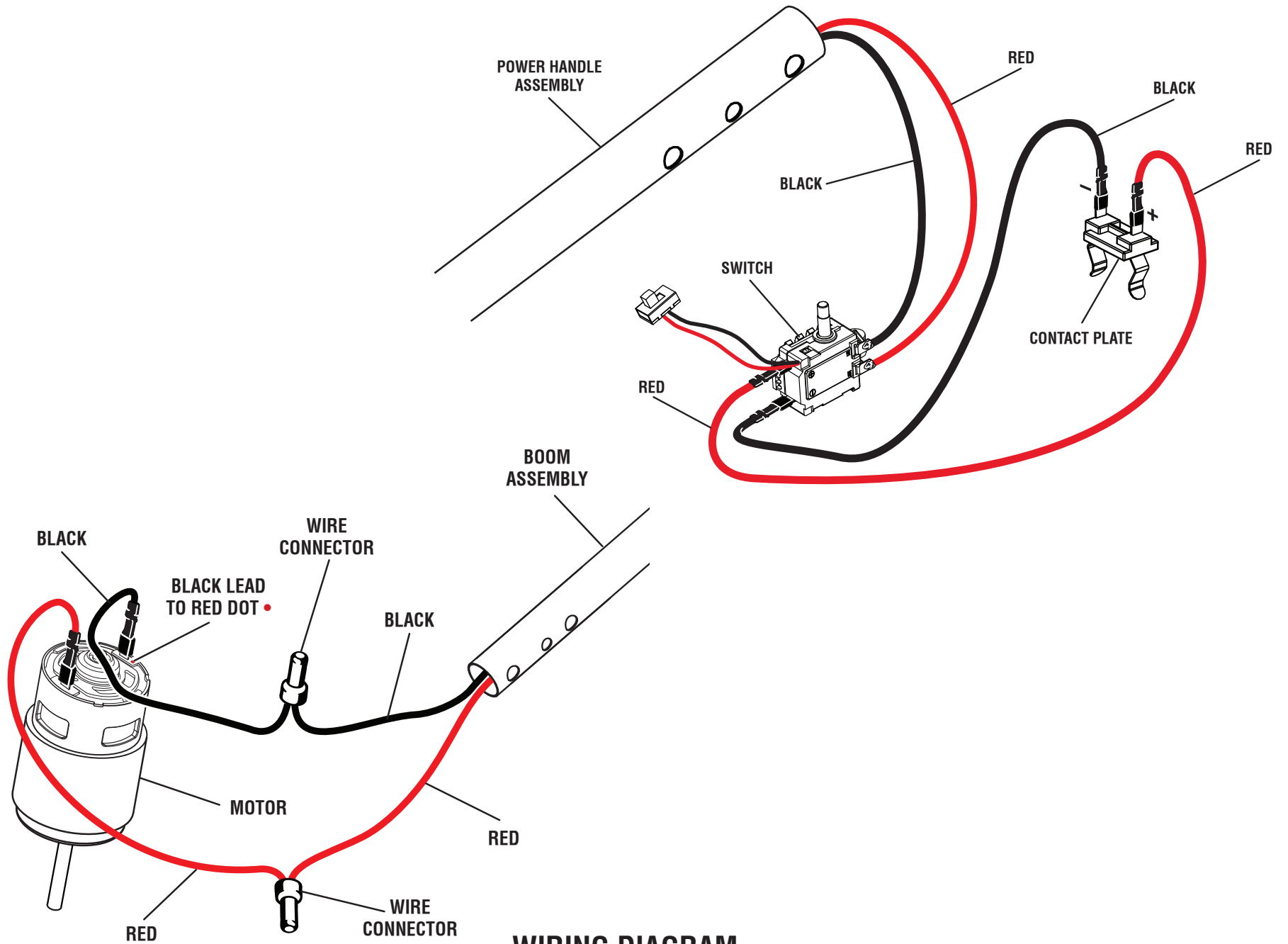
The model number will be found on a label attached to the upper boom. Always mention the model number in all correspondence regarding your **STRING TRIMMER/EDGER** or when ordering replacement parts.

### PARTS LIST

KEY NO.	PART NUMBER	DESCRIPTION	QTY	KEY NO.	PART NUMBER	DESCRIPTION	QTY
1	742199001	Motor .....	1	26	351182001	Auxiliary Handle Assembly (Inc. Key Nos. 7-8, 11, 19, 25 and 44).....	1
2	***	Spool Cap (Item No. AC14HCA).....	1	27	310920001	Slider Assembly .....	1
3	311746001	Upper Tube and Wire Assembly (Inc. Key No. 39, P2008).....	1	28	524851002	Spool Base w/Fan .....	1
	205332001	Upper Tube and Wire Assembly (Inc. Key No. 39, P2008VNM).....	1	29	***	Spool w/Line Assembly (Item No. AC14RL3).....	1
4	351109001	Pivot Assembly .....	1	30	311747001	Lower Tube Assembly (Inc. Key Nos. 40-41 and 43)...	1
5	522923001	Plastic Ring.....	1	31	660004019	Screw (M3 x 12 mm, Pan Hd.).....	1
6	522926001	Motor Mounting Plate.....	1	32	351122001	Guard Assembly (Inc. Key Nos. 36-37) .....	1
7	522984001	Handle Bracket .....	1	33	351112001	Motor Housing Assembly (Inc. Key No. 38).....	1
8	351119001	Front Handle (Inc. Key No. 44) .....	1	34	351110001	Lower Housing Assembly .....	1
9	351113001	Handle Housing Assembly (Inc. Key No. 21).....	1	35	351106001	Adjustment Pedal Assembly.....	1
10	562079003	Rubber Plate (Motor Plate) .....	2	36	940851102	Auto Feed No Bump Label (Guard) .....	1
11	570112001	Rubber Plate (Handle Bracket).....	1	37	940851103	Adjustable Cutting Width Label .....	1
12	570815001	Rubber Plate (Motor) .....	2	38	940705309	Motor Housing Label .....	1
13	790009004	Wire Connector.....	2	39	941588104	Data Label (P2008) .....	1
14	660208055	Screw (M4 x 12 mm, Pan Hd.).....	3		941588563	Data Label (P2008VNM) .....	1
15	661817001	Screw (M4 x 14 mm, T14 Torx Pan Hd.).....	23	40	940705310	Ryobi 18 V Lithium Label.....	1
16	660502002	Screw w/Washer (M5 x 11 mm).....	2	41	940851101	Warning Translation Label .....	1
17	679034001	Compression Spring (Internal Tooth).....	1	42	941773001	Step For Edging Label.....	1
18	679406001	Compression Spring (Trigger).....	1	43	940657185	Warning Icon Label.....	1
19	680196006	Hex Nut (M6).....	1	44	940851105	Auto Feed No Bump Label (Handle).....	1
20	351183001	Switch Trigger and Lock-off Trigger .....	1	45	311895001	Switch and Contact Plate Assembly .....	1
21	940705308	Logo Label.....	2	<b>Not Shown:</b>			
22	679933001	E-Ring.....	1		311181001	Flail Blade Cap Accessory (Item No. ACFHRL2)	
23	678587002	Washer (OD16 x ID8.2 x 1.2t) .....	1		991000677	Operator's Manual	
24	522929001	Roller.....	1		6-23-20		
25	522983001	Knob Bolt (M6 x 1 in.) .....	1		(Rev:06)		

\*\*\* Standard Hardware Item – May Be Purchased Locally at The Home Depot

RYOBI STRING TRIMMER/EDGER – MODEL NOS. P2008/P2008VNM



WIRING DIAGRAM