

If you have questions or comments, contact us.

1-800-4-DEWALT • www.dewalt.com

INSTRUCTION MANUAL

# DEWALT®

DW0822

Self-Leveling Cross Line/Plumb Spot Combination Laser

DeWALT Industrial Tool Co., 701 East Joppa Road, Baltimore, MD 21286  
(JULY13) Part No. 79002843 Copyright © 2013 DeWALT

IF YOU HAVE ANY QUESTIONS OR COMMENTS ABOUT THIS OR ANY DEWALT TOOL, CALL US TOLL FREE AT: **1-800-4-DEWALT (1-800-433-9258)**.

## Safety

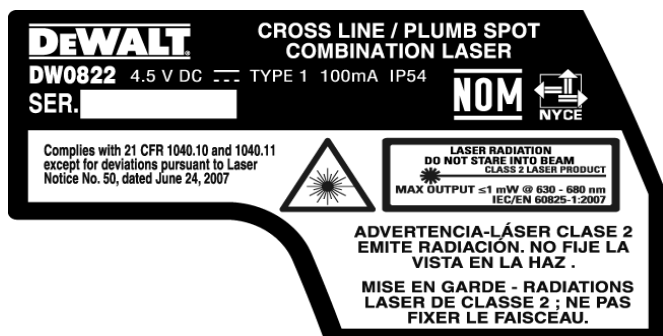


**WARNING:** To reduce the risk of injury, read the safety manual provided with your product or access it online at [www.DeWALT.com](http://www.DeWALT.com).

Use of controls or adjustments or performance of procedures other than those specified herein may result in hazardous radiation exposure.

### WARNING LABELS

For your convenience and safety, the following label is on your laser.



**⚠ CAUTION: LASER RADIATION - DO NOT STARE INTO BEAM. CLASS 2 LASER PRODUCT.**

## Laser Information

The DW0822 laser level is a class 2 laser product and complies with 21 CFR 1040.10 and 1040.11 except for deviations pursuant to laser notice No. 50, dated June 24, 2007.

## PRODUCT OVERVIEW

The DW0822 laser level is a self-leveling laser tool that can be used for horizontal (level) and vertical (plumb) alignment and square alignment. This tool comes fully assembled and has been designed with features that allow for quick and easy set-up. Please read and understand all instructions within this instruction manual in addition the Safety Manual prior to use.

## Specifications

SPECIFICATIONS	
Light Source	Semiconductor laser diode
Laser Wavelength	630–680 nm visible
Laser Power	<1.0 mW (each beam) CLASS 2 LASER PRODUCT
Working Range	±50' (15 m) / (165' with detector)
Accuracy* (Up)	± 3/16" @ 50' (± 4.5 mm @ 15 m)
Accuracy* (Horizontal)	± 1/8" @ 50' (± 3 mm @ 15 m)
Accuracy* (Vertical)	± 1/8" @ 50' (± 3 mm @ 15 m)
Indicators	Flashing Indicator: battery low Flashing Laser: tilt range exceeded
Power Source	3 AA size batteries (4.5V DC)
Operating Temperature	20 °F to 120 °F (-10 °C to 50 °C)
Storage Temperature	-5 °F to 140 °F (-20 °C to 60 °C)
Environmental	IP54

## Keypad, Modes and LED.

### Power switch.

The Power ON/OFF switch is located on the front of the tool as shown in Figure 3. When the switch (C) is in the OFF/LOCKED position, the unit will remain off and the pendulum will be locked. When the on/off switch (A) is in the ON/UNLOCKED position, the unit will be powered ON and the pendulum will be released from the locked position and self level.

### Keypad .

The keypad located on the side of the tool (FIG. 2 & 3) provides activation keys for selection of laser dots and / or line function.

### Low Battery Indicator.

The DW0822 is equipped with a low battery indicator on the keypad as shown in Figure 2. The indicator light is located on the keypad. When the light flashes, the batteries are low and need to be replaced. The laser may continue to operate for a short time while the batteries continue to drain. After fresh batteries are installed and the laser is turned on again, the indicator light will remain green.

### Out of level Range Indicator

The DW0822 is equipped with an Out of level indicator on the keypad as shown in Figure 2. When the tilt range (> 4° tilt) has been exceeded the LED will turn on and the laser beam will flash. The flashing beam indicates the tilt range has been exceeded and the tool IS NOT LEVEL (OR PLUMB) AND SHOULD NOT BE USED FOR DETERMINING OR MARKING LEVEL (OR PLUMB). Try repositioning the laser on a more level surface.

## Batteries & Power

Your laser tool requires 3 x AA batteries. (Fig. 1-B)

Use only new, high-quality batteries for best results.

- Ensure batteries are in good working condition. If the low battery indicator light is flashing, the batteries need replacement.
- To extend battery life, turn laser off when not working with or marking the beam.

## Set Up

### LEVELING THE LASER

This tool is self-leveling. It is calibrated at the factory to find plumb as long as it is positioned on a flat surface within 4° of level. As long as the tool is properly calibrated, no manual adjustments must be made.

To ensure the accuracy of your work, check to make sure your laser is calibrated often. See **Field Calibration Check**.

- Before attempting to use the laser, make sure it is positioned securely, on a smooth, flat surface.
- Always mark the center of the dot or pattern created by the laser.
- Extreme temperature changes may cause movement of internal parts that can affect accuracy. Check your accuracy often while working. See **Field Calibration Check**.
- If the laser has been dropped, check to make sure your laser is calibrated. See **Field Calibration Check**.

## OPERATION

### Turning the Laser On and Off (Fig. 3)

- With the laser off, place it on a stable, flat surface. Turn the laser on by sliding the on/off switch (C) to the ON/UNLOCKED position.
- Activate or deactivate the desired function using the keypad located on the side of the tool. It can project four beams in total: a horizontal line (D), a vertical line (E) as well as one dot beam up (F) and one dot beam down (G) It will project a horizontal line when the horizontal "LINE" key is pressed and it will project a vertical line when the vertical "LINE" key is pressed. The up-dot beam and down-dot beam will be projected when the "DOT" key is pressed.
- To turn the laser off, slide the the on/off switch (C) to the locked position.

The DW0822 is equipped with a locking pendulum mechanism. This feature is only activated when the laser is switched off using the OFF/Locked switch, (C)

## Using the Laser

The beams are level or plumb as long as the calibration has been checked (see **Field Calibration Check**) and the laser beam is not flashing (see **Out of level Range Indicator**).

The tool can be used to transfer points using any combination of the five beams and/or horizontal line.

### INTEGRATED MAGNETIC PIVOTING BRACKET (FIG. 1 & 3)

The DW0822 has a magnetic pivoting bracket (J) permanently attached to the unit. This bracket allows the unit to be mounted to any upright surface made of steel or iron using the magnets located on the back of the pivoting bracket. Common examples of suitable surfaces include steel framing studs, steel door frames and structural steel beams. Position the laser on a stable surface.

**⚠ CAUTION: Do not stand underneath the laser when it is mounted with the magnetic pivoting bracket. Serious personal injury or damage to the laser may result if the laser falls.**

The pivoting bracket also provides floor clearance of approximately 1-3/4" (44.5 mm) which aids in the installation of steel framing track.

### USING THE LASER WITH ACCESSORIES

The laser is equipped with both 1/4" x 20 and 5/8" x 11 female threads on the bottom of the unit. These threads may be used to accommodate current or future DeWALT accessories. Only use DeWALT accessories specified for use with this product. Follow the directions included with the accessory.

**⚠ WARNING:** Since accessories, other than those offered by DEWALT, have not been tested with this product, use of such accessories with this tool could be hazardous. To reduce the risk of injury, only DEWALT recommended accessories should be used with this product.

Recommended accessories for use with your tool are available at extra cost from your local dealer or authorized service center. If you need assistance in locating any accessory, please contact DEWALT Industrial Tool Co., 701 East Joppa Road, Baltimore, MD 21286, call 1-800-4-DEWALT (1-800-433-9258) or visit our website: www.DeWALT.com.

## Field Calibration Check

### CHECKING ACCURACY – HORIZONTAL BEAM, SCAN DIRECTION (FIG. 6)

Checking the horizontal scan calibration of the laser requires two walls 30' (9 m) apart. It is important to conduct a calibration check using a distance no shorter than the distance of the applications for which the tool will be used.

1. Attach the laser to a wall using its pivot bracket. Make sure the laser is facing straight ahead.
2. Turn on the laser's horizontal beam and pivot the laser approximately 45° so that the right-most end of the laser line is striking the opposing wall at a distance of at least 30' (9 m). Mark the center of the beam (a).
3. Pivot the laser approximately 90° to bring the left-most end of the laser line around to the mark made in Step 2. Mark the center of the beam (b).
4. Measure the vertical distance between the marks.
5. If the measurement is greater than the values shown below, the laser must be serviced at an authorized service center.

Distance Between Walls	Measurement Between Marks
15' (4.5 m)	1/16" (2 mm)
30' (9 m)	5/32" (4 mm)
50' (15 m)	1/4" (6 mm)

### CHECKING ACCURACY – HORIZONTAL BEAM, PITCH DIRECTION (FIG. 7)

Checking the horizontal pitch calibration of the laser requires a single wall at least 30' (9 m) long. It is important to conduct a calibration check using a distance no shorter than the distance of the applications for which the tool will be used.

1. Attach the laser to one end of a wall using its pivot bracket.
2. Turn on the laser's horizontal beam and pivot the laser toward the opposite end of the wall and approximately parallel to the adjacent wall.
3. Mark the center of the beam at two locations (c, d) at least 30' (9 m) apart.
4. Reposition the laser to the opposite end of the wall.
5. Turn on the laser's horizontal beam and pivot the laser back toward the first end of the wall and approximately parallel to the adjacent wall.
6. Adjust the height of the laser so that the center of the beam is aligned with the nearest mark (d).
7. Mark the center of the beam (e) directly above or below the farthest mark (c).
8. Measure the distance between these two marks (c, e).
9. If the measurement is greater than the values shown below, the laser must be serviced at an authorized service center.

Distance Between Walls	Measurement Between Marks
15' (4.5 m)	1/16" (2 mm)
30' (9 m)	5/32" (4 mm)
50' (15 m)	1/4" (6 mm)

### CHECKING ACCURACY – VERTICAL BEAM (FIG. 8)

Checking the vertical (plumb) calibration of the laser can be most accurately done when there is a substantial amount of vertical height available, ideally 30' (9 m), with one person on the floor positioning the laser and another person near a ceiling to mark the position of the beam. It is important to conduct a calibration check using a distance no shorter than the distance of the applications for which the tool will be used.

1. Start by marking a 5' (1.5 m) line on the floor.
2. Turn on the laser's vertical beam and position the unit at one end of the line, facing the line.
3. Adjust the unit so its beam is aligned and centered on the line on the floor.
4. Mark the position of the laser beam on the ceiling (f). Mark the center of the laser beam directly over the midpoint of the line on the floor.
5. Reposition the laser at the other end of the line on the floor. Adjust the unit once again so its beam is aligned and centered on the line on the floor.
6. Mark the position of the laser beam on the ceiling (g), directly beside the first mark (f).
7. Measure the distance between these two marks.
8. If the measurement is greater than the values shown below, the laser must be serviced at an authorized service center.

Distance Between Walls	Measurement Between Marks
15' (4.5 m)	1/16" (2 mm)
30' (9 m)	5/32" (4 mm)
50' (15 m)	1/4" (6 mm)

### CHECKING ACCURACY – PLUMB (FIG. 5-6)

Checking the plumb calibration of the laser can be most accurately done when there is a substantial amount of vertical height available, ideally 25' (7.5 m), with one person on the floor positioning the laser and another person near a ceiling to mark the dot created by the beam on the ceiling (Fig. 5). It is important to conduct a calibration check using a distance no shorter than the distance of the applications for which the tool will be used.

1. Start by marking a point on the floor.
2. Place the laser so that the down dot beam is centered on the point marked on the floor.
3. Allow time for the laser to settle to plumb and mark the center of the dot created by the up beam.
4. Turn the laser 180° as shown (Fig. 6), making sure that the down dot beam is still centered on the point previously marked on the floor.
5. Allow time for the laser to settle to plumb and mark the center of the dot created by the up beam.

If the measurement between the two marks is greater than shown below, the laser is no longer in calibration.

Height	Measurement Between Marks
15' (4.5 m)	1/8" (3 mm)
30' (9 m)	1/4" (6 mm)
50' (15 m)	11/32" (9 mm)

## Troubleshooting

### THE LASER DOES NOT TURN ON

- Make sure batteries are installed according to (+), (-) markings on battery door.
- Make sure the batteries are in proper working condition. If in doubt, try installing new batteries.
- Make sure that the battery contacts are clean and free of rust or corrosion. Be sure to keep the laser level dry and use only new, high-quality batteries to reduce the chance of battery leakage.
- If the laser has been stored in extremely hot temperatures, allow it to cool.

### THE LASER BEAMS FLASH (FIG. 4)

The DW0822 laser level has been designed to self-level up to 4° in all directions when positioned as shown in Figure 4. If the laser is tilted so much that internal mechanism cannot plumb itself, it will flash the laser—the tilt range has been exceeded. THE FLASHING BEAMS CREATED BY THE LASER ARE NOT LEVEL OR PLUMB AND SHOULD NOT BE USED FOR DETERMINING OR MARKING LEVEL OR PLUMB. Try repositioning the laser on a more level surface.

### THE LASER BEAMS WILL NOT STOP MOVING

The DW0822 is a precision instrument. Therefore, if it is not positioned on a stable (and motionless) surface, the tool will continue to try to find plumb. If the beam will not stop moving, try placing the tool on a more stable surface. Also, try to make sure that the surface is relatively flat, so that the laser is stable.

\*Accuracy spec assumes laser is positioned on a surface within 4° of level.

FIG. 1

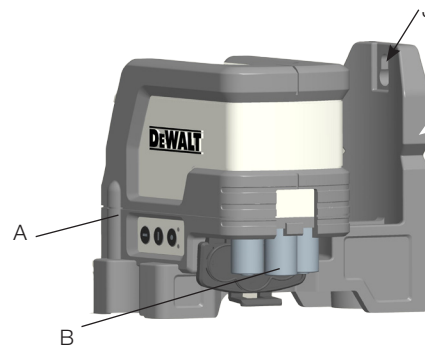


FIG. 2



FIG. 3

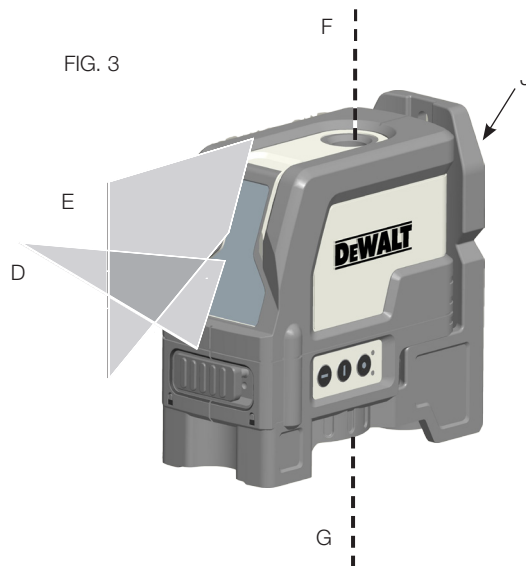


FIG. 4

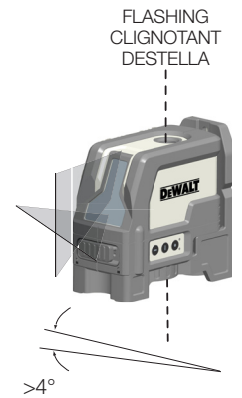


FIG. 5

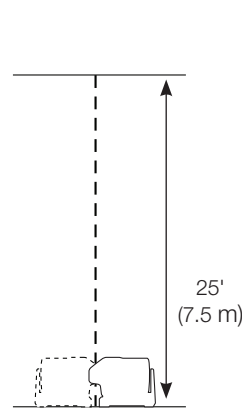


FIG. 6

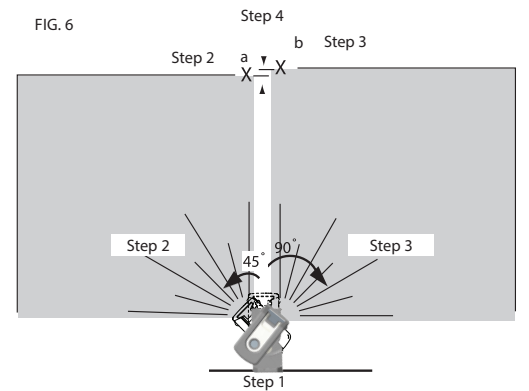


FIG. 7 Step 1,2

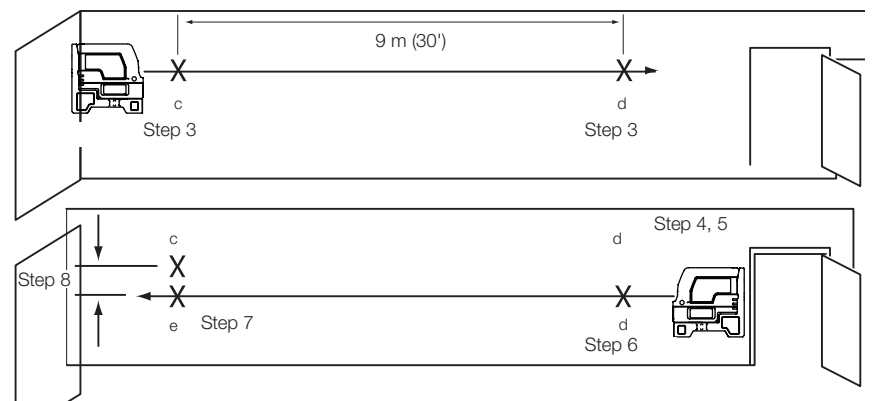
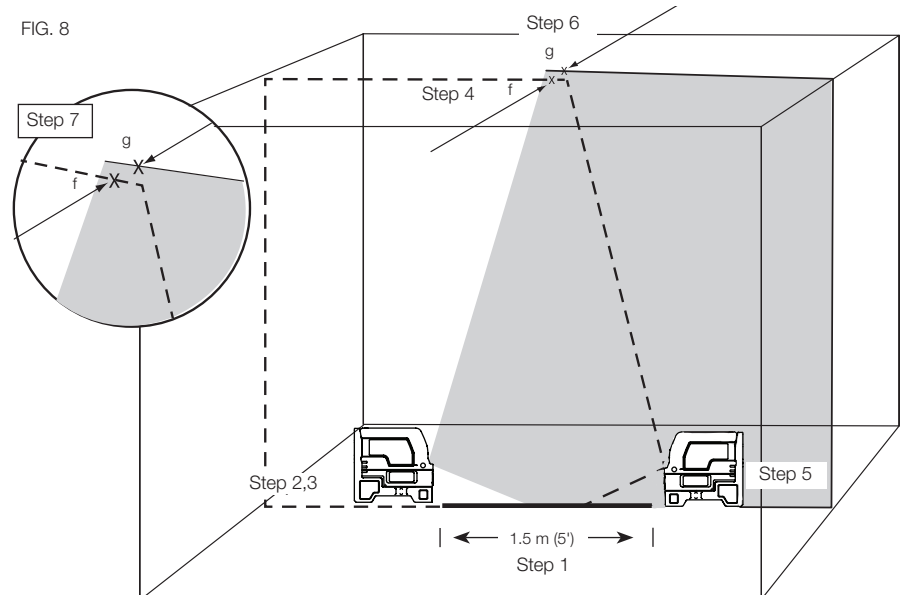


FIG. 8



Si tiene preguntas o comentarios, puede contactarnos.

1-800-4-DEWALT • www.dewalt.com

MANUAL DE INSTRUCCIONES

# DEWALT®

DW0822

Láser de combinación de puntos con auto nivelación de línea cruzada/plomada

DeWALT Industrial Tool Co., 701 East Joppa Road, Baltimore, MD 21286  
(JULIO 13) Parte N.º 79002843 Copyright © 2013 DeWALT

SI TIENE CONSULTAS O COMENTARIOS ACERCA DE ESTA HERRAMIENTA DeWALT O DE CUALQUIER OTRA, LLÁMENOS SIN CARGO AL NÚMERO: **1-800-4-DeWALT (1-800-433-9258)**.

## Seguridad

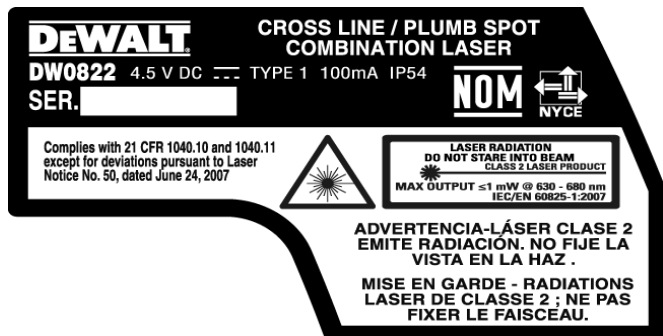


**ADVERTENCIA:** Para reducir el riesgo de lesiones, lea el manual de seguridad provisto con su producto o acceda al mismo en línea en [www.DeWALT.com](http://www.DeWALT.com).

El uso de controles o ajustes o la realización de procedimientos diferentes a los especificados en el presente pueden resultar en exposición peligrosa a la radiación.

### ETIQUETAS DE ADVERTENCIA

Para su comodidad y seguridad, se incluye la etiqueta siguiente en su láser.



**⚠ PRECAUCIÓN: RADIACIÓN LÁSER - NO MIRE FIJO EL RAYO. PRODUCTO LÁSER DE CLASE 2.**

## Información sobre el láser

El nivel láser DW0822 es un producto láser de clase 2 y cumple con 21 CFR 1040.10 y 1040.11 excepto por las desviaciones en virtud de la notificación para láser N.º 50, de fecha 24 de junio de 2007.

## DESCRIPCIÓN DEL PRODUCTO

El nivel láser DW0822 es una herramienta láser de autonivelación que puede usarse para alineación horizontal (nivel) y vertical (plomada) y alineación cuadrada. Esta herramienta viene totalmente ensamblada y ha sido diseñada con características que permiten una instalación rápida y sencilla. Lea y comprenda todas las instrucciones en este manual de instrucciones además del Manual de seguridad antes del uso.

## Especificaciones

ESPECIFICACIONES	
Fuente de luz	Diodo de láser semiconductor
Longitud de onda del láser	630-680 nm visible
Potencia del láser	<1,0 mW (cada rayo) PRODUCTO LÁSER CLASE 2
Rango de funcionamiento	50 pi (15 m) (165' avec détecteur)
Precisión* (arriba)	± 3/16" @ 50' (± 4.5 mm @ 15 m)
Precisión* (horizontal)	± 1/8" @ 50' (± 3 mm @ 15 m)
Precisión* (vertical)	± 1/8" @ 50' (± 3 mm @ 15 m)
Indicadores	Indicador destellando: batería baja Láser destellando: rango de inclinación excedido
Fuente de alimentación	3 baterías tamaño AA (4,5 VCC)
Temperatura de funcionamiento	-10 °C a 50 °C (20 °F a 120 °F)
Temperatura de almacenamiento	-20 °C a 60 °C (-5 °F a 140 °F)
Ambiental	IP54

## Teclado, Modos y LED.

### Interruptor de energía.

El interruptor de ENCENDIDO/APAGADO se ubica en el frente de la herramienta como se muestra en la Figura 3. Cuando el interruptor (C) está en la posición APAGADO/BLOQUEADO, la unidad se mantendrá apagada y el péndulo se bloqueará

Cuando el interruptor de encendido/apagado (A) está en la posición ENCENDIDO/DESBLOQUEADO, la unidad se ENCENDERÁ y el péndulo se liberará de la posición de bloqueo y se autonivelará.

### Teclado.

El teclado ubicado en la parte lateral de la herramienta (FIG. 2 y 3) contiene las teclas de activación para la selección de los puntos láser o la función de línea.

### Indicador de batería baja.

El DW0822 está equipado con un indicador de batería baja en el teclado como se muestra en la Figura 2. La luz del indicador se ubica en el teclado. Cuando la luz parpadea, las baterías están bajas y deben reemplazarse. El láser puede continuar operando por un tiempo breve hasta que las baterías se agoten por completo. Una vez que se instalen baterías nuevas y el láser se encienda nuevamente, la luz del indicador se mantendrá verde.

### Indicador de fuera de rango de nivel

El DW0822 está equipado con un indicador fuera de nivel en el teclado como se muestra en la Figura 2. Cuando el rango de inclinación (inclinación > 4°) se ha excedido, el LED se encenderá y el rayo láser parpadeará.

El rayo parpadeante indica que se ha excedido el rango de inclinación y que la herramienta NO ESTÁ A NIVEL (O PLOMADA) Y NO DEBE USARSE PARA DETERMINAR O MARCAR EL NIVEL (O PLOMADA). Intente cambiar la posición del láser en una superficie más nivelada.

## Baterías y alimentación

Su herramienta láser requiere 3 baterías AA. (Fig. 1-B)

Use solo baterías nuevas de alta calidad para obtener mejores resultados.

- Verifique que las baterías estén en buenas condiciones. Si la luz del indicador de batería baja parpadea, debe reemplazar las baterías.
- Para extender la duración de las baterías, apague el láser cuando no trabaja o marca el rayo.

## Instalación

### NIVELACIÓN DEL LÁSER

Esta herramienta posee autonivelación. Está calibrada en fábrica para encontrar plomada cuando se coloca en una superficie plana dentro de 4° del nivel. Si la herramienta está calibrada correctamente, no deben realizarse ajustes manuales.

Para asegurar la precisión de su trabajo, con frecuencia compruebe que su láser esté calibrado. Vea **Comprobación de calibración en campo.**

- Antes de intentar usar el láser, asegúrese de que esté colocado firmemente en una superficie suave y plana.
- Siempre marque el centro del punto o patrón creado por el láser.
- Los cambios extremos de temperatura pueden causar el movimiento de partes internas que pueden afectar la precisión. Compruebe la precisión con frecuencia al trabajar. Vea **Comprobación de calibración en campo.**
- Si el láser se ha caído, compruebe que esté calibrado. Vea **Comprobación de calibración en campo.**

## FUNCIONAMIENTO

### Encendido y apagado del láser (Fig. 3)

- Con el láser apagado, colóquelo en una superficie estable y plana. Encienda el láser deslizando el interruptor de encendido/apagado (C) a la posición ENCENDIDO/DESBLOQUEADO.
- Active o desactive la función deseada usando el teclado ubicado en el lado de la herramienta. Puede proyectar cuatro rayos en total: una línea horizontal (D), una línea vertical (E) así como un rayo puntual hacia arriba (F) y un rayo puntual hacia abajo (G) Proyectará una línea horizontal cuando se presiona la tecla "LÍNEA" horizontal y proyectará una línea vertical cuando se presiona la tecla "LÍNEA" vertical. El rayo puntual hacia arriba y el rayo puntual hacia abajo se proyectarán cuando se presiona la tecla "PUNTO".
- Apague el láser deslizando el interruptor de encendido/apagado (C) a la posición de bloqueo.

El DW0822 está equipado con un mecanismo de péndulo de bloqueo. Esta función solo se activa cuando el láser se apaga usando el interruptor APAGADO/Bloqueado, (C)

### Uso del láser

Los rayos están a nivel o en plomada si se ha comprobado la calibración (vea **Comprobación de calibración en campo**) y el rayo láser no parpadee (vea **Indicador de fuera de rango de nivel**). La herramienta puede usarse para transferir puntos usando cualquier combinación de los cinco rayos y/o líneas horizontales.

### SOPORTE DE PIVOTE MAGNÉTICO INTEGRADO (FIG. 1 Y 3)

El DW0822 posee un soporte de pivote magnético (J) conectado de forma permanente a la unidad. Este soporte permite que la unidad se monte en una superficie vertical de acero o hierro usando los imanes ubicados en la parte posterior del soporte de pivote. Ejemplos comunes de superficies adecuadas incluyen pernos para marcos de acero, marcos de puerta de acero y vigas estructurales de acero. Coloque el láser en una superficie estable.

**⚠PRECAUCIÓN: No se pare debajo del láser cuando está montado con el soporte de pivote magnético. Pueden producirse lesiones personales graves o daños al láser si el láser cae.** El soporte de pivote también cuenta con un despeje del suelo de aproximadamente 44,5 mm (1-3/4"), lo que ayuda a la instalación de la pista del marco de acero.

### USO DEL LÁSER CON ACCESORIOS

El láser está equipado con roscas hembra de 1/4" x 20 y 5/8" x 11 en la parte inferior de la unidad. Estas roscas pueden usarse para alojar accesorios actuales o futuros de DeWALT. Use solo accesorios DeWALT especificados para usar con este producto. Siga las instrucciones incluidas con el accesorio.

**⚠️ ADVERTENCIA:** Como los accesorios, fuera de los ofrecidos por DEWALT, no han sido probados con este producto, el uso de tales accesorios con esta herramienta podría ser peligroso. Para reducir el riesgo de lesiones, solo debe usar accesorios recomendados por DEWALT con este producto.

Los accesorios recomendados para usar con su herramienta están disponibles a un costo adicional con su distribuidor local o centro de servicio autorizado. Si necesita asistencia para ubicar un accesorio, contacte a DEWALT Industrial Tool Co., 701 East Joppa Road, Baltimore, MD 21286, llame al 1-800-4-DEWALT (1-800-433-9258) o visite nuestro sitio web: www.DeWALT.com.

## Comprobación de calibración en campo

### COMPROBACIÓN DE LA PRECISIÓN - RAYO HORIZONTAL, DIRECCIÓN DE EXPLORACIÓN (FIG. 6)

La comprobación de la calibración de exploración horizontal del láser requiere dos paredes con una separación de 9 m (30'). Es importante realizar una comprobación de calibración usando una distancia no menor a la distancia de las aplicaciones para las que se usará la herramienta.

1. Coloque el láser en una pared usando su soporte de pivote. Asegúrese de que el láser apunte hacia adelante.d
2. Encienda el rayo horizontal del láser y gire el láser aproximadamente 45° de tal forma que el extremo de la derecha de la línea del láser golpee la pared opuesta a una distancia de al menos 9 m (30'). Marque el centro del rayo (a).
3. Gire el láser aproximadamente 90° para llevar la línea izquierda del láser cerca de la marca realizada en el Paso 2. Marque el centro del rayo (b).
4. Mida la distancia vertical entre las marcas.
5. Si la medición es mayor a los valores que se indican a continuación, el láser debe ser reparado en un centro de servicio autorizado.

Distancia entre las paredes	Medición entre marcas
15' (4.5 m)	1/16" (2 mm)
30' (9 m)	5/32" (4 mm)
50' (15 m)	1/4" (6 mm)

### COMPROBACIÓN DE LA PRECISIÓN - RAYO HORIZONTAL, INCLINACIÓN DE EXPLORACIÓN (FIG. 7)

La comprobación de la calibración de inclinación horizontal del láser requiere una pared única de al menos 9 m (30') de largo. Es importante realizar una comprobación de calibración usando una distancia no menor a la distancia de las aplicaciones para las que se usará la herramienta.

1. Coloque el láser en un extremo de una pared usando su soporte de pivote.
2. Encienda el rayo horizontal del láser y gire el láser hacia el extremo opuesto de la pared y aproximadamente paralelo a la pared adyacente.
3. Marque el centro del rayo en dos ubicaciones (c, d) al menos a 9 m (30') de distancia.
4. Vuelva a colocar el láser en el extremo opuesto de la pared.
5. Encienda el rayo horizontal del láser y gire el láser hacia el primer extremo de la pared y aproximadamente paralelo a la pared adyacente.
6. Ajuste la altura del láser de forma tal que el centro del rayo esté alineado con la marca más cercana (d).
7. Marque el centro del rayo (e) directamente arriba o debajo de la marca más lejana (c).
8. Mida la distancia entre estas dos marcas (c, e).
9. Si la medición es mayor a los valores que se indican a continuación, el láser debe ser reparado en un centro de servicio autorizado.

Distancia entre las paredes	Medición entre marcas
15' (4.5 m)	1/16" (2 mm)
30' (9 m)	5/32" (4 mm)
50' (15 m)	1/4" (6 mm)

### COMPROBACIÓN DE LA PRECISIÓN - RAYO VERTICAL (FIG. 8)

La comprobación de la calibración vertical (plomada) del láser puede realizarse con mayor precisión cuando hay una cantidad sustancial de altura vertical disponible, idealmente 9 m (30'), con una persona en el piso colocando el láser y otra persona cerca del cielo raso para marcar la posición del rayo. Es importante realizar una comprobación de calibración usando una distancia no menor a la distancia de las aplicaciones para las que se usará la herramienta.

1. Comience marcando una línea de 1,5 m (5') en el piso.
2. Encienda el rayo láser vertical y coloque la unidad en un extremo de la línea, apuntando a la línea.
3. Ajuste la unidad de forma tal que su rayo esté alineado y centrado en la línea del piso.
4. Marque la posición del rayo láser en el cielo raso (f). Marque el centro del rayo láser directamente en el punto medio de la línea en el piso.
5. Vuelva a colocar el láser en el otro extremo del piso. Ajuste la unidad nuevamente de forma tal que su rayo esté alineado y centrado en la línea del piso.
6. Marque la posición del rayo láser en el cielo raso (g), directamente al lado de la primera marca (f).
7. Mida la distancia entre estas dos marcas.
8. Si la medición es mayor a los valores que se indican a continuación, el láser debe ser reparado en un centro de servicio autorizado.

Distancia entre las paredes	Medición entre marcas
15' (4.5 m)	1/16" (2 mm)
30' (9 m)	5/32" (4 mm)
50' (15 m)	1/4" (6 mm)

### COMPROBACIÓN DE LA PRECISIÓN - PLOMADA (FIG. 5-6)

La comprobación de la calibración de plomada del láser puede realizarse con mayor precisión cuando hay una cantidad sustancial de altura vertical disponible, idealmente 7,5 m (25'), con una persona en el piso colocando el láser y otra persona cerca del cielo raso para marcar el punto creado por el rayo en el cielo raso (Fig. 5). Es importante realizar una comprobación de calibración usando una distancia no menor a la distancia de las aplicaciones para las que se usará la herramienta.

1. Comience marcando un punto en el piso.
2. Coloque el láser de forma tal que el rayo puntual hacia abajo esté centrado en el punto marcado en el piso.
3. Permita un tiempo para que el láser asiente la plomada y marque el centro del punto creado por el rayo hacia arriba.
4. Gire el láser 180° como se muestra (Fig. 6), asegurándose de que el rayo puntual hacia abajo aún esté centrado en el punto anteriormente marcado en el piso.
5. Permita un tiempo para que el láser asiente la plomada y marque el centro del punto creado por el rayo hacia arriba.

Si la medición entre las dos marcas es mayor que la indicada a continuación, el láser ya no está calibrado.

Altura	Medición entre marcas
15' (4.5 m)	1/8" (3 mm)
30' (9 m)	1/4" (6 mm)
50' (15 m)	11/32" (9 mm)

## Resolución de problemas

### EL LÁSER NO SE ENCIENDE

- Asegúrese de que las baterías estén colocadas de acuerdo con las marcas (+) y (-) en la puerta de la batería.
- Asegúrese de que las baterías estén en apropiadas condiciones de funcionamiento. En caso de duda, pruebe instalar nuevas baterías.
- Asegúrese de que los contactos de la batería estén limpios y libres de óxido o corrosión. Asegúrese de mantener el nivel láser seco y use solo baterías nuevas de alta calidad para reducir la probabilidad de fugas de la batería.
- Si el láser se ha almacenado en temperaturas extremadamente calurosas, deje enfriar.

### EL RAYO LÁSER PARPADEA (FIG. 4)

El nivel láser DW0822 ha sido diseñado para autonivelarse hasta 4° en todas las direcciones cuando se coloca tal como se muestra en la Figura 4. Si el láser está inclinado tanto que el mecanismo interno no puede establecer una plomada, el láser parpadeará: se ha excedido el rango de inclinación. EL RAYO PARPADEANTE CREADO POR EL LÁSER NO ESTÁ A NIVEL O NO PUEDE ESTABLECER LA PLOMADA Y NO DEBE USARSE PARA DETERMINAR O MARCAR EL NIVEL O PLOMADA. Intente cambiar la posición del láser en una superficie más nivelada.

### EL RAYO LÁSER NO DEJA DE MOVERSE

El DW0822 es un instrumento de precisión. En consecuencia, si no se coloca en una superficie estable (y estática), la herramienta continuará intentando establecer una plomada. Si el rayo no deja de moverse, intente colocar la herramienta en una superficie más estable. Asimismo, intente asegurarse de que la superficie esté relativamente plana, para que el láser esté estable.

\*Las especificaciones de precisión asumen que el láser está colocado en una superficie dentro de 4° del nivel.

FIG. 1

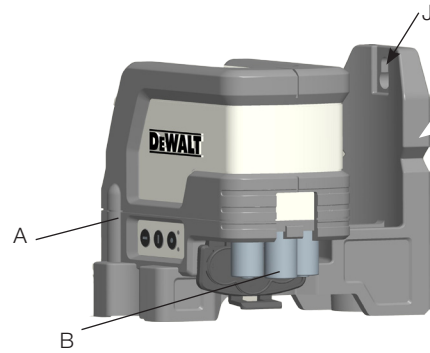


FIG. 2



FIG. 3

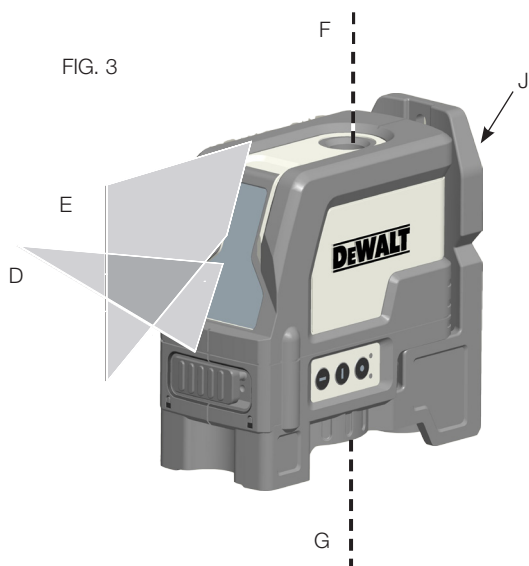


FIG. 4

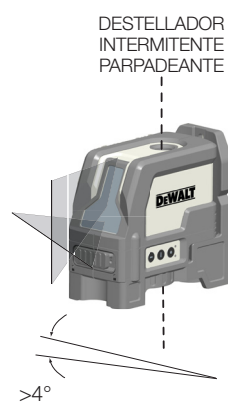


FIG. 5

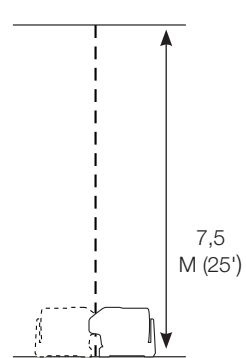


FIG. 6

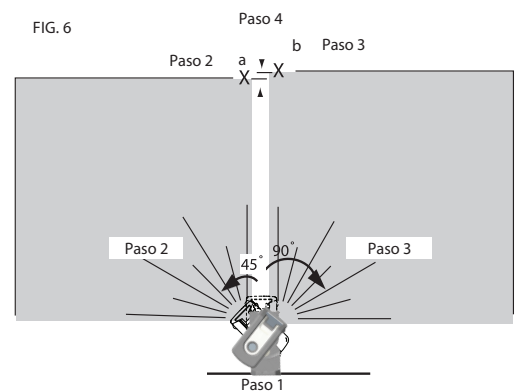


FIG. 7 Paso 1,2

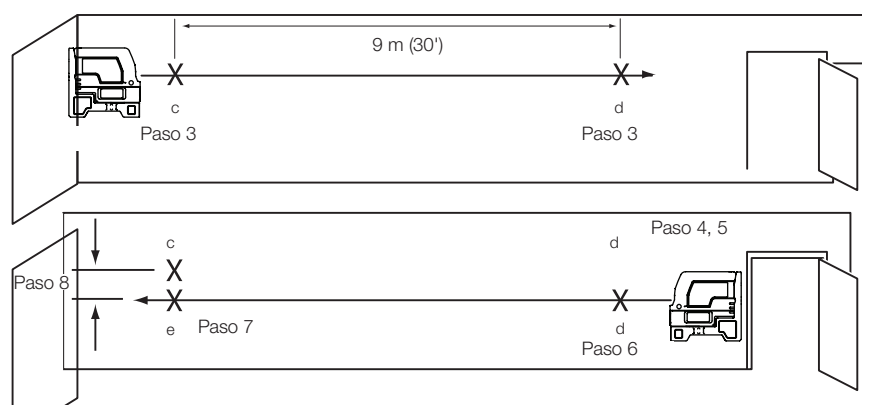
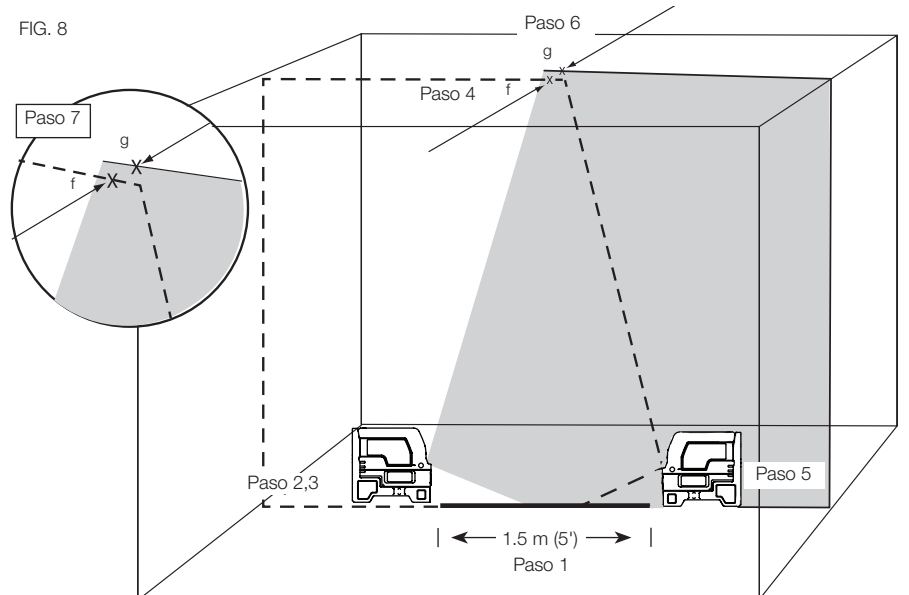


FIG. 8



Pour toute question ou tout commentaire, communiquer avec nous.

1 800 4-DEWALT • www.dewalt.com

MANUEL D'INSTRUCTIONS

# DEWALT®

DW0822

Laser autonivelant transversal/à points verticaux

DeWALT Industrial Tool Co., 701 East Joppa Road, Baltimore, MD 21286  
(JULY13) N° de pièce 79002843 Copyright © 2013 DeWALT

POUR TOUTE QUESTION OU TOUT COMMENTAIRE AU SUJET DE CET OUTIL OU DE TOUT AUTRE OUTIL DEWALT, APPELER SANS FRAIS AU NUMÉRO : 1 800 4-DEWALT (1 800 433-9258).

## Sécurité

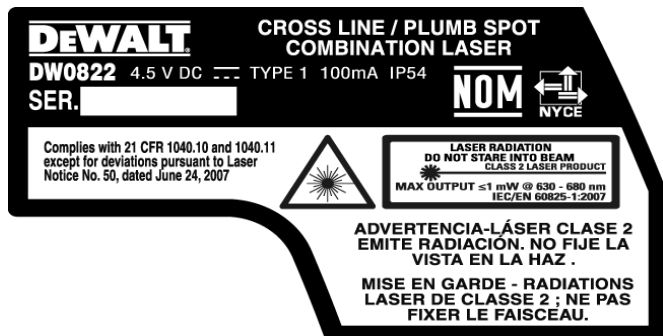


**AVERTISSEMENT :** Pour réduire les risques de blessures, lire le guide de sécurité fourni avec votre produit ou le consulter en ligne à [www.DewALT.com](http://www.DewALT.com).

L'utilisation de commandes ou de réglages ou encore l'exécution de procédures autres que celles indiquées ici peuvent entraîner une exposition dangereuse aux rayonnements.

### ÉTIQUETTES D'AVERTISSEMENT

Pour des raisons pratiques et de sécurité, l'étiquette suivante a été apposée sur le laser.



**ATTENTION : RAYONNEMENT LASER - NE JAMAIS FIXER LE FAISCEAU ÉQUIPEMENT LASER DE CATÉGORIE 2**

## Renseignements sur le laser

Le niveau au laser DW0822 est un laser de catégorie 2 conforme aux normes 21 CFR 1040.10 et 1040.11 à l'exception des dérogations prévues par l'avis n° 50 en date du 24 juin 2007.

## APERÇU DU PRODUIT

Le niveau au laser DW0822 est un outil laser autonivelant pouvant être utilisé pour un alignement horizontal (niveau), vertical (aplomb) et d'angle droit. Complètement assemblé, il comporte des fonctions permettant un réglage rapide et facile. Avant de l'utiliser, veuillez lire et comprendre toutes les consignes de ce manuel d'instructions ainsi que le guide de sécurité.

## Fiche technique

FICHE TECHNIQUE	
Source lumineuse	Diode laser à semi-conducteur
Longueur d'onde du laser	630 à 680 nm visible
Puissance laser	<1,0 mW (par faisceau) ÉQUIPEMENT LASER DE CATÉGORIE 2
Portée	50 pi (15 m) (165' avec détecteur)
Précision* (Haut)	± 3/16" @ 50' (± 4.5 mm @ 15 m)
Précision* (à l'horizontale)	± 1/8" @ 50' (± 3 mm @ 15 m)
Précision* (à la verticale)	± 1/8" @ 50' (± 3 mm @ 15 m)
Voyants	Voyant clignotant : pile faible Laser clignotant : dépassement de la plage d'inclinaison
Source d'alimentation	3 piles AA (4,5 V c.c.)
Température d'utilisation	De -10 °C à 50 °C (20 °F à 120 °F)
Température d'entreposage	De -20 °C à 60 °C (-5 °F à 140 °F)
Environnement	IP54

## Clavier, modes et voyant à DEL

### Interrupteur d'alimentation

L'interrupteur Marche/Arrêt se trouve sur la façade de l'outil, comme illustré à la figure 3. Lorsque l'interrupteur (C) est en position ARRÊT/BLOQUÉ, l'appareil est éteint et le pendule est bloqué.

Lorsque l'interrupteur Marche/Arrêt (A) est en position MARCHE/DÉBLOQUÉ, l'appareil est allumé, le pendule et débloquent et la fonction d'autonivelage est active.

### Clavier

Le clavier situé sur le côté de l'outil (fig. 2 et 3) comporte des touches d'activation permettant de choisir entre les fonctions de points ou de ligne laser.

### Voyant de pile faible

L'appareil DW0822 est doté d'un voyant de pile faible, comme illustré à la figure 2. Ce voyant est situé sur le clavier. Lorsqu'il clignote, les piles sont faibles et doivent être remplacées. Le laser continuera à fonctionner quelque temps pendant que les piles se déchargent. Une fois les piles neuves installées et le laser rallumé, le voyant reste vert.

### Voyant d'erreur de niveau

L'appareil DW0822 est doté d'un voyant d'erreur de niveau situé sur le clavier, comme illustré à la figure 2. Lorsque la plage d'inclinaison (inclinaison > 4°) est dépassée, le voyant s'allume et clignote et le faisceau laser se met à clignoter.

Le clignotement du faisceau laser indique que la plage d'inclinaison a été dépassée et que l'outil n'est pas DE NIVEAU (OU D'APLOMB) ET NE DOIT PAS SERVIR À DÉTERMINER OU À MARQUER LE NIVEAU (OU L'APLOMB). Essayer de repositionner le laser sur une surface plus à niveau.

## Piles et alimentation

Votre outil laser a besoin de 3 piles AA. (fig. 1-B).

Pour obtenir de meilleurs résultats, n'utiliser que des piles neuves de qualité supérieure.

- Vérifier qu'elles sont en bon état. Lorsque le voyant de pile faible clignote, il faut remplacer les piles.
- Pour prolonger les piles, éteindre le laser lorsque vous ne l'utilisez pas ou que vous marquez le faisceau.

## Réglage

### MISE À NIVEAU DU LASER

Cet outil est autonivelant. Il est étalonné en usine pour trouver l'aplomb à condition d'être posé sur une surface plane d'une inclinaison maximale de 4°. Tant qu'il est bien étalonné, il n'est pas nécessaire de le régler manuellement.

Pour un travail précis, veiller à étalonner votre laser fréquemment. Voir **Vérification de l'étalonnage sur place**.

- Avant d'utiliser le laser, vérifier qu'il est solidement positionné sur une surface plane et lisse.
- Toujours marquer le centre de la forme ou du point projeté par le laser.
- Les changements extrêmes de température peuvent provoquer le déplacement de composants internes et compromettre la précision. Au cours du travail, vérifier fréquemment la précision. Voir **Vérification de l'étalonnage sur place**.
- Si le laser est tombé, vérifier qu'il est toujours étalonné. Voir **Vérification de l'étalonnage sur place**.

## FONCTIONNEMENT

### Marche et arrêt du laser (fig. 3)

- Placer le laser éteint sur une surface plane et stable. L'allumer en glissant l'interrupteur Marche/Arrêt (C) en position MARCHE/DÉBLOQUÉ.
- Activer ou désactiver la fonction souhaitée à l'aide du clavier situé sur le côté de l'outil. En tout, il peut projeter quatre faisceaux : une ligne horizontale (D), une ligne verticale (E) ainsi qu'un faisceau de points vers le bas (F) et un autre vers le haut (G). Il projette une ligne horizontale si vous appuyez sur la touche LINE (Ligne) horizontale, et une ligne verticale si vous appuyez sur la touche LINE (Ligne) verticale. Le faisceau de points vers le bas et celui vers le haut projettent un point si vous appuyez sur la touche DOT (Point).
- Pour éteindre le laser, glisser l'interrupteur Marche/Arrêt (C) en position de blocage.

Le modèle DW0822 est équipé d'un mécanisme de blocage à mouvements de pendule. Cette fonction ne s'active que lorsque l'on éteint le laser à l'aide de l'interrupteur Arrêt/Bloqué (C).

### Utilisation du laser

Les faisceaux seront de niveau ou d'aplomb si l'étalonnage a été vérifié (voir **Vérification de l'étalonnage sur place**) et si le faisceau laser ne clignote pas (voir **Voyant d'erreur de niveau**). Il est possible d'utiliser l'outil pour reporter des points à l'aide d'une combinaison des cinq faisceaux et de la ligne horizontale.

### SUPPORT MAGNÉTIQUE PIVOTANT INTÉGRÉ (FIG. 1 ET 3)

Le modèle DW0822 est équipé d'un support magnétique pivotant (J) intégré à l'appareil. Ce support permet de monter l'appareil sur une surface droite en acier ou en fer, grâce aux aimants se trouvant sur son dos. Les surfaces utilisables sont, par exemple, des montants en acier, des cadres de porte en acier ou des poutres en acier profilé. Positionner le laser sur une surface stable.

**ATTENTION : Ne pas se tenir sous le laser lorsqu'il est fixé par le support magnétique pivotant. S'il tombait, vous pourriez vous blesser gravement ou endommager l'appareil.**

Le support pivotant laisse également un dégagement au sol d'environ 44,5 mm (1-3/4 po), ce qui permet d'installer un rail de construction métallique.

### UTILISATION DU LASER AVEC ACCESSOIRES

Des filets de vis femelles de 6,35 mm (1/4 po) x 20 et 15,8 (5/8 po) x 11 se trouvent sous l'appareil. Ils servent à fixer des accessoires DEWALT existants ou futurs. N'utiliser que les accessoires DEWALT conçus pour ce produit. Respecter les consignes fournies avec l'accessoire.

**AVERTISSEMENT :** Étant donné qu'aucun test n'a été fait avec des accessoires non vendus par DEWALT, leur utilisation avec cet outil pourrait s'avérer dangereuse. Pour réduire les risques de blessure, n'utiliser que les accessoires recommandés par DEWALT.

Les accessoires recommandés pour l'utilisation avec cet outil sont en vente chez un détaillant local ou un centre de service autorisé. Si vous avez besoin d'aide pour trouver un accessoire, communiquer avec DEWALT Industrial Tool Co., 701 East Joppa Road, Baltimore, MD 21286, composer le 1 800 4-DEWALT (1 800 433-9258) ou consulter notre site Web : www.DEWALT.com.

## Vérification de l'étalonnage sur place

### VÉRIFICATION DE LA PRÉCISION DE LA DIRECTION DE BALAYAGE DU FAISCEAU HORIZONTAL (FIG. 6)

Pour vérifier l'étalonnage du balayage horizontal du laser, il faut deux murs séparés par une distance d'au moins 9 m (30 pi). Il est important de vérifier l'étalonnage sur une distance au moins équivalente à celle de l'installation pour laquelle le laser sera utilisé.

1. Fixer le laser à un mur à l'aide de son support pivotant. Vérifier qu'il est bien dirigé vers l'avant.
2. Allumer le faisceau horizontal du laser et faire pivoter l'appareil d'environ 45°, de manière à ce que l'extrémité droite de la ligne laser touche le mur opposé à une distance d'au moins 9 m (30 pi). Marquer le centre du faisceau (a).
3. Faire pivoter le laser d'environ 90° pour amener l'extrémité gauche de la ligne laser aux environs de la marque faite à l'étape 2. Marquer le centre du faisceau (b).
4. Mesurer la distance verticale entre les marques.
5. Si la mesure est supérieure aux valeurs indiquées ci-dessous, le laser doit être réparé dans un centre de service autorisé.

Distance entre les murs	Mesure entre les marques
15' (4.5 m)	1/16" (2 mm)
30' (9 m)	5/32" (4 mm)
50' (15 m)	1/4" (6 mm)

### VÉRIFICATION DE LA PRÉCISION DE LA DIRECTION DE L'INCLINAISON DU FAISCEAU HORIZONTAL (FIG. 7)

Pour vérifier l'étalonnage de l'inclinaison horizontale du laser, il faut deux murs séparés par une distance d'au moins 9 m (30 pi). Il est important de vérifier l'étalonnage sur une distance au moins équivalente à celle de l'installation pour laquelle le laser sera utilisé.

1. Fixer le laser à une extrémité à l'aide de son support pivotant.
2. Allumer le faisceau horizontal et faire pivoter le laser vers l'autre extrémité du mur, à peu près parallèlement au mur proche.
3. Marquer le centre du faisceau à deux endroits (c, d) distants d'au moins 9 m (30 pi).
4. Repositionner le laser à l'autre extrémité du mur.
5. Allumer le faisceau horizontal et faire pivoter le laser vers la première extrémité du mur, à peu près parallèlement au mur proche.
6. Régler la hauteur du laser de manière à ce que le faisceau soit aligné sur la marque la plus proche (d).
7. Marquer le centre du faisceau (e) directement sur ou sous la marque la plus éloignée (c).
8. Mesurer la distance entre ces deux marques (c, e).
9. Si la mesure est supérieure aux valeurs indiquées ci-dessous, le laser doit être réparé dans un centre de service autorisé.

Distance entre les murs	Mesure entre les marques
15' (4.5 m)	1/16" (2 mm)
30' (9 m)	5/32" (4 mm)
50' (15 m)	1/4" (6 mm)

### VÉRIFICATION DE L'ÉTALONNAGE DU FAISCEAU VERTICAL (FIG. 8)

La vérification de l'étalonnage vertical (aplomb) du laser sera plus efficace si vous procédez sur une grande hauteur, idéalement de 9 m (30 pi), et qu'une personne au sol positionne le laser tandis qu'une autre marque le point du faisceau au plafond. Il est important de vérifier l'étalonnage sur une distance au moins équivalente à celle de l'installation pour laquelle le laser sera utilisé.

1. Commencer par tracer une ligne de 1,5 m (5 pi) sur le sol.
2. Tourner le faisceau vertical du laser et positionner l'appareil à une extrémité de la ligne, lui faisant face.
3. Régler l'appareil de manière à aligner et centrer son faisceau sur la ligne au sol.
4. Marquer la position du faisceau laser sur le plafond (f). Marquer directement le centre du faisceau laser sur le point médian de la ligne au sol.
5. Repositionner le laser à l'autre extrémité de la ligne au sol. Régler à nouveau l'appareil de manière à aligner et centrer son faisceau sur la ligne au sol.
6. Marquer la position du faisceau laser sur le plafond (g), directement à côté de la première marque (f).
7. Mesurer la distance entre ces deux marques.
8. Si la mesure est supérieure aux valeurs indiquées ci-dessous, le laser doit être réparé dans un centre de service autorisé.

Distance entre les murs	Mesure entre les marques
15' (4.5 m)	1/16" (2 mm)
30' (9 m)	5/32" (4 mm)
50' (15 m)	1/4" (6 mm)

### VÉRIFICATION DE L'ÉTALONNAGE DE L'APLOMB (FIG. 5 ET 6)

La vérification de l'étalonnage de l'aplomb du laser sera plus efficace si vous procédez sur une grande hauteur, idéalement de 7,5 m (25 pi), et qu'une personne au sol positionne le laser tandis qu'une autre marque le point du faisceau au plafond (fig. 5). Il est important de vérifier l'étalonnage sur une distance au moins équivalente à celle de l'installation pour laquelle le laser sera utilisé.

1. Commencer par marquer un point sur le sol.
2. Placer le laser de manière à ce que le point du faisceau du bas soit centré sur le point au sol.
3. Laisser au laser le temps de trouver l'aplomb et marquer le centre du point créé par le faisceau du haut.
4. Faire pivoter le laser à 180° comme illustré (fig. 6), en faisant en sorte que le faisceau vers le bas soit toujours centré sur le point marqué au sol.
5. Laisser au laser le temps de trouver l'aplomb et marquer le centre du point créé par le faisceau du haut.

Si la mesure entre les deux marques est inférieure à celles du tableau ci-dessous, l'étalonnage du laser n'est plus valable.

Hauteur	Mesure entre les marques
15' (4.5 m)	1/8" (3 mm)
30' (9 m)	1/4" (6 mm)
50' (15 m)	11/32" (9 mm)

## Dépannage

### LE LASER NE S'ALLUME PAS

- Vérifier que les piles sont installées dans le sens des signes (+) et (-) de la porte du compartiment.
- Vérifier que les piles sont en bon état de marche. Dans le doute, installer de nouvelles piles.

- Vérifier que les contacts des piles sont propres et exempts de rouille ou de corrosion. Veiller à ce que le niveau au laser reste au sec et n'utiliser que des piles neuves de qualité supérieure pour réduire les risques de fuite.

- Si le laser a été entreposé à la forte chaleur, le laisser refroidir.

### LES FAISCEAUX LASER CLIGNOTENT (FIG. 4)

Le niveau au laser DW0822 a été conçu pour s'autoniveler jusqu'à 4° dans tous les sens lorsqu'il est positionné comme sur la figure 4. Si son inclinaison est telle que le mécanisme interne ne peut se remettre d'aplomb par lui-même, le laser clignote, ce qui indique un dépassement de la plage d'inclinaison. LE CLIGNOTEMENT DES FAISCEAUX LASER INDIQUE QUE L'OUTIL N'EST PAS DE NIVEAU OU D'APLOMB ET NE DOIT PAS SERVIR À DÉTERMINER NI À MARQUER LE NIVEAU OU L'APLOMB. Essayer de repositionner le laser sur une surface plus à niveau.

### LES FAISCEAUX LASER BOUGENT SANS CESSER

L'appareil DW0822 est un instrument de précision. Toutefois, s'il n'est pas placé sur une surface stable (et immobile), il continuera à chercher l'aplomb. Si le faisceau n'arrête pas de bouger, essayer de placer l'outil sur une surface plus stable. Essayer également de faire en sorte que la surface soit relativement plane, afin que le laser soit stable.

FIG. 1

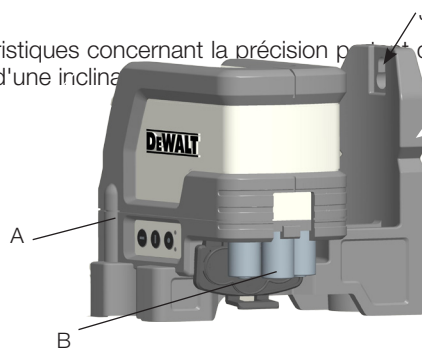


FIG. 2



\*Les caractéristiques concernant la précision pour le principe que le laser est positionné sur une surface d'une inclinaison de 4°.

FIG. 3

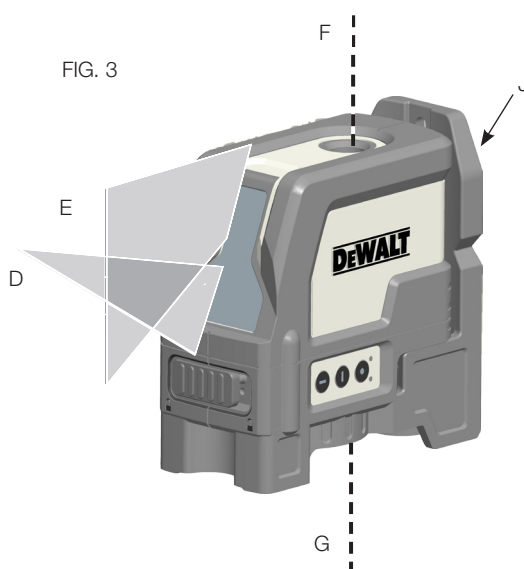


FIG. 4

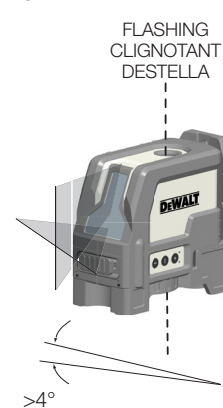


FIG. 5

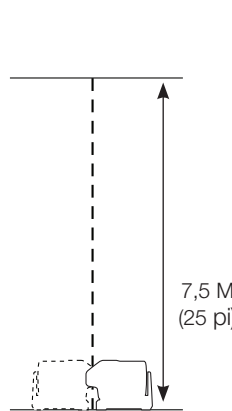


FIG. 6

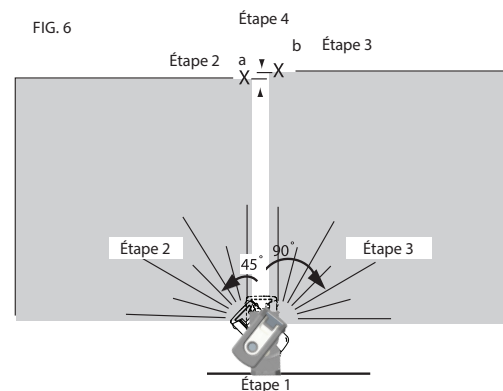


FIG. 7 Étape 1,2

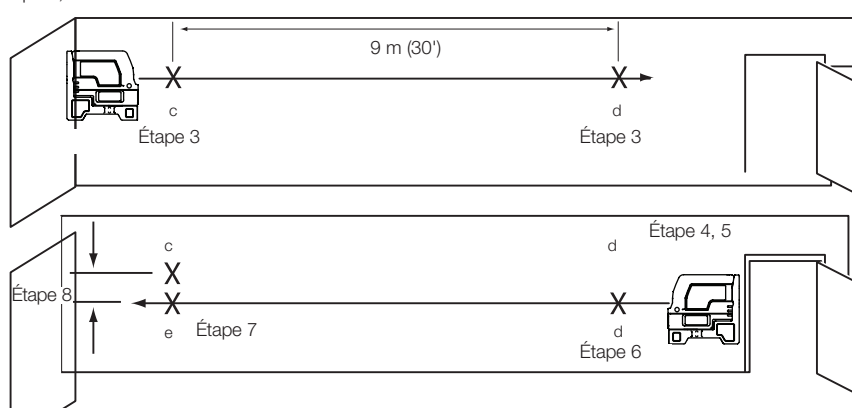


FIG. 8

