

16815



Call Us First!

DO NOT RETURN TO STORE.

**For immediate help with assembly or product information
call our toll-free number:**

1-888-827-9056

or email:

customerservice@backyardproductsllc.com

Our staff is ready to provide assistance.

April through October M - F 8:00 AM to 7:00 PM EST

Saturday 8:30 AM to 4:30 PM EST

November through March M - F 8:00 AM to 5:00 PM EST

(This page is intentionally left blank.)

Customer Service
1-888-827-9056
1000 Ternes Drive
Monroe, MI 48162

16815

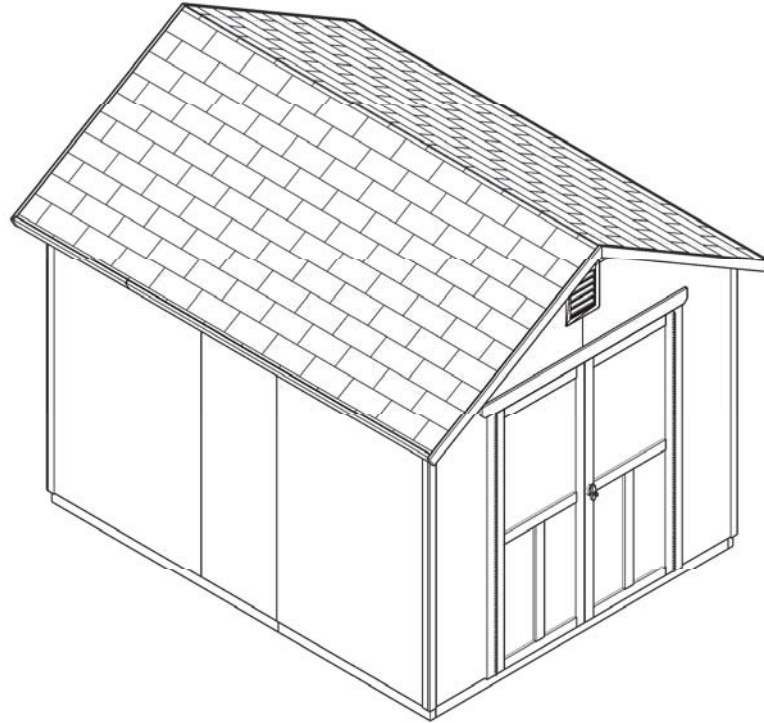
11/21/2013

ASSEMBLY MANUAL

GABLE SHED 8' x 10' (244 x 305 cm)

Includes 8' x 10' Building Instruction

KEEP THIS MANUAL FOR FUTURE REFERENCE



IMPORTANT! READ INSTRUCTIONS THOROUGHLY PRIOR TO BEGINNING ASSEMBLY.



BEFORE YOU BEGIN

- **BUILDING RESTRICTIONS AND APPROVALS**

Be sure to check local building department and homeowners association for specific restrictions and/or requirements before building.

- **ENGINEERED DRAWINGS**

Contact our Customer Service Team if engineered drawings are needed to pull local permits.

- **SURFACE PREPARATION**

To ensure proper assembly you must build your shed on a level surface. Recommended methods and materials to level your shed are listed on page 7.

- **CHECK ALL PARTS**

Inventory all parts listed on pages 4-6. Contact our Customer Service Team if any parts are missing or damaged.

- **ADDITIONAL MATERIALS**






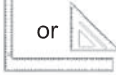


You will need additional materials to complete your shed. See page 3 for required and optional materials and quantities.







- CUSTOMER SERVICE -

Call: 1-888-827-9056 email: customerservice@backyardproductsllc.com

TOOLS

Required

- Phillips Screwdriver 
- Drill / Driver
 - Drill Bit
 - #2 philips Drive Bit
- Hammer 
- Pencil 
- Tape Measure 
- Square  or 
- Level 

- Chalk Line 
- Utility Knife
 - Shingle Blades 
- Caulk Gun 
- Exterior rated Wood Glue 
- Ladder 
- Paint Tools 

Optional

- Tool Belt/ Nail Pouch 
- Safety Glasses 
- Nail Gun
 - Gun Nails
- Gloves 
- Clamps 

Safety! Always use approved safety glasses during assembly.

HELPFUL REMINDER SYMBOLS

Look for these symbols for helpful reminders throughout this manual.



= Assistance Required; two or more people.



= Mark part with pencil.



= Ensure squareness.



= Beginning of steps for assembly or installation.



= Important required step or operation.



= Level



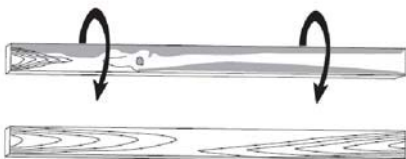
= Helpful assembly hint.

ORIENT LUMBER AND TRIM FOR BEST APPEARANCE

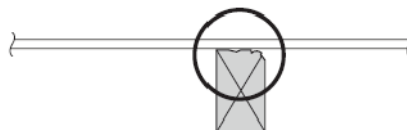
Framing lumber is graded for structural strength and not appearance. Exterior trim is graded for one good side.

Always install the material leaving the best edge and best surface visible. Please remember that these blemishes in no way negatively affect the strength or integrity of our product. (See Fig A, B, C.)

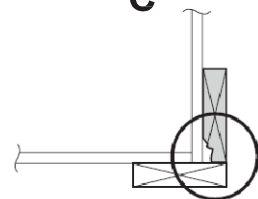
A



B



C



ADDITIONAL MATERIALS

FOUNDATION OR FLOOR MATERIALS

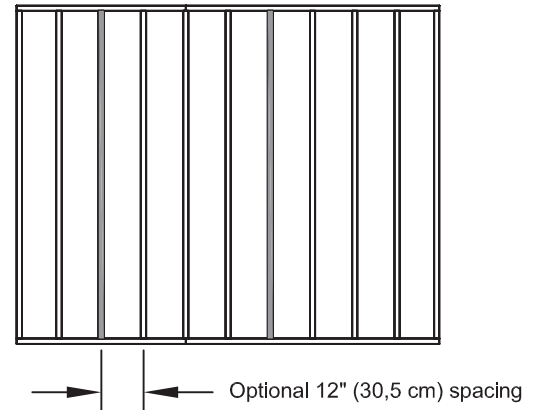
- This kit does not contain a floor frame, or floor decking.
- No leveling materials are included with the shed kit.
- See the **FLOOR LEVELING** section on page 7 for recommended methods and suggested materials to properly level your floor, as this will vary depending on your specific site.

REINFORCED WOOD FLOOR FRAME (OPTIONAL)

IMPORTANT! Depending on your specific use you may want to construct a heavy duty floor frame by adding additional floor joists (shown below as shaded). Below is a list of additional materials that are not included in our standard floor kit.


- x2** 2 x 4 x 8' (5,1 x 10,2 x 243,8 cm) Treated Lumber
Cut lumber to 2 x 4 x 93" (5.1 x 10,2 x 236,2 cm)
Treated Lumber

- x8** ea. 3" (7,6 cm) hot dipped galvanized nails



COMPLETING YOUR SHED

You will need these additional materials:

- | | |
|--|--|
| <input type="checkbox"/> 3-TAB SHINGLES.....5 Bundles | <input type="checkbox"/> 1" GALVANIZED ROOFING NAILS...3LBS
For Shingles. |
| <input type="checkbox"/> PAINT FOR SIDING.....2 Gallons
Use 100% acrylic latex exterior paint. (2) coats recommended. | <input type="checkbox"/> PAINT FOR TRIM.....1 Quart
Use 100% acrylic latex exterior paint. |
| <input type="checkbox"/> CAULK.....2 Tubes
Use acrylic latex exterior caulk that is paintable.  | <input type="checkbox"/> WOOD GLUE.....Exterior Rated |

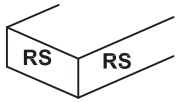
OPTIONAL MATERIALS

- | | |
|---|---|
| <input type="checkbox"/> DRIP EDGE.....50 Feet | <input type="checkbox"/> #15 ROOFING FELT
To cover 113 Sq. Ft. of roof area |
| | <input type="checkbox"/> 1" GALVANIZED ROOFING NAILS...1/4 Lb
For roofing felt. |

REFER TO THE BACK OF THIS MANUAL AND THE MANUFACTURER'S INSTRUCTIONS FOR INSTALLATION OF SHINGLES, DRIP EDGE AND FELT.

PARTS IDENTIFICATION AND SIZES

Part Identification is stamped on some parts.



- Check these locations for Part stamps

WOOD SIZE CONVERSION CHART

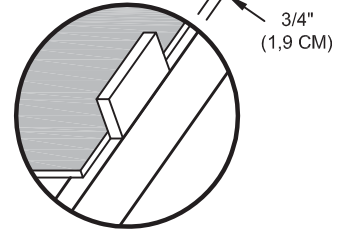
Nominal Board Size	Actual Size
2" x 4".....	1-1/2" x 3-1/2" (3,8 x 8,9 cm)
1" x 4".....	3/4" x 3-1/2" (1,9 x 8,9 cm)
2" x 3".....	1-1/2" x 2-1/2" (3,8 x 6,3 cm)
1" x 3".....	3/4" x 2-1/2" (1,9 x 6,3 cm)

PARTS LIST

INVENTORY YOUR PARTS before you begin.

We suggest sorting parts by the category they are listed in.


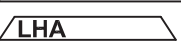
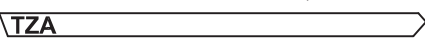
X1 **GAA** 1 x 3 x 5" (2,5 x 7,6 x 12,7 cm)
Gauge Block for 3/4" (1,9 cm) measurement.



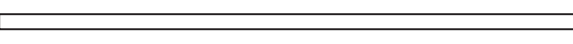
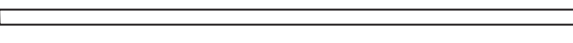
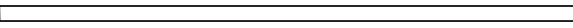
WALLS

- X1 **UU** 2 x 4 x 9" (5,1 x 10,2 x 22,9 cm)
- X4 **RL** 2 x 4 x 24" (5,1 x 10,2 x 61,0 cm)
- X2 **USA** 2 x 4 x 46-3/8" (5,1 x 10,2 x 117,8 cm)
- X1 **QU** 2 x 4 x 56" (5,1 x 10,2 x 142,2 cm)
- X12 **TM** 2 x 4 x 72" (5,1 x 10,2 x 82,9 cm)
- X2 **THA** 2 x 4 x 73-1/2" (5,1 x 10,2 x 186,7 cm)
- X1 **SZ** 2 x 4 x 89" (5,1 x 10,2 x 226,1 cm)
- X1 **AQA** 2 x 4 x 93" (5,1 x 10,2 x 236,2 cm)
- X4 **TP** 2 x 4 x 96" (5,1 x 10,2 x 243,8 cm)

ROOF

- X10  6 x 24" (15,2 x 61 cm)
- X2 **LHA**  2 x 3 x 23" (5,1 x 7,6 x 58,4 cm)
- X12 **TZA**  2 x 4 x 55-9/16" (5,1 x 10,2 x 141,1 cm)
- X2 **JF** 1 x 4 x 60" (2,5 x 10,2 x 152,4 cm)

TRIM

- X2 **UHA** 2 x 6 x 24-3/4" (5,1 x 15,2 x 62,9 cm)
- X4 **VJA** 2 x 6 x 61-15/16" (5,1 x 15,2 x 157,3 cm)
- X2 **VX** 2 x 6 x 96" (5,1 x 15,2 x 243,8 cm)
- X2 **EJA** 19/32 x 2-1/2" x 35-3/4" (1,5 x 6,4 x 90,8 cm)
- X2 **YOR** 19/32 x 2-1/2" x 63-1/16" (1,5 x 6,4 x 160,2 cm)
- X2 **YOL** 19/32 x 2-1/2" x 63-1/16" (1,5 x 6,4 x 160,2 cm)
- X2 **HAS** 19/32 x 2-1/2" x 96" (1,5 x 6,4 x 243,8 cm)
- X4  3/8 x 1-3/4 x 76" (1 x 4,4 x 193 cm)
- X2  3/8 x 1-3/4 x 76-7/8" (1 x 4,4 x 195,3 cm)
- X2  3/8 x 1-3/4 x 76-7/8" (1 x 4,4 x 195,3 cm)

DOOR

- X2 **GI** 19/32 x 2-1/2 x 23" (1,5 x 6,4 x 58,4 cm) **DOOR RAILS**
- X2 **UWA** 19/32 x 2-1/2 x 32" (1,5 x 6,4 x 81,3 cm) **DOOR RAILS**
- X1 **UVA** 19/32 x 2-1/2 x 65" (1,5 x 6, x 165,1 cm)
- X2 **OO** 2 x 3 x 69" (5,1 x 7,6 x 175,3 cm)

WALL PANEL & DOOR PARTS LIST

NOTE: Panel parts are not stamped with part identification.



□ x1
3/8 x 48 x 96"
(1 x 121,9 x 243,8 cm)



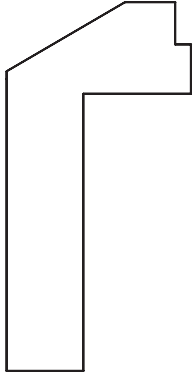
□ x1
3/8 x 48 x 96"
(1 x 121,9 x 243,8 cm)



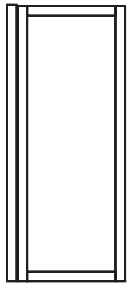
□ x2
3/8 x 10 x 17-3/16"
(1 x 25,4 x 43,7 cm)



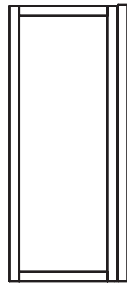
□ x2
3/8 x 10 x 17-3/16"
(1 x 25,4 x 43,7 cm)



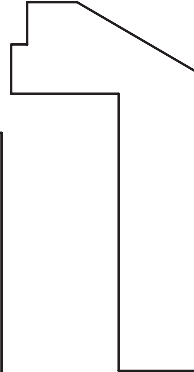
□ x1
3/8 x 48 x 96"
(1 x 121,9 x 243,8 cm)



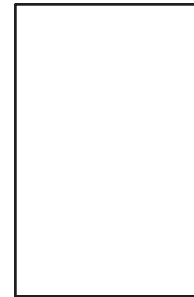
□ x1
LEFT DOOR



□ x1
RIGHT DOOR



□ x1
3/8 x 48 x 96"
(1 x 121,9 x 243,8 cm)

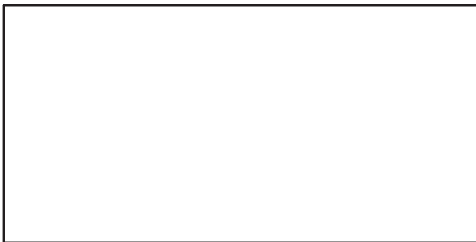


□ x4
3/8 x 48 x 76"
(1 x 121,9 x 193 cm)



□ x2
3/8 x 24 x 76"
(1 x 61 x 193 cm)

ROOF PANELS



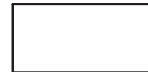
□ x2
7/16 x 48 x 96"
(1,1 x 121,9 x 243,8 cm)



□ x2
7/16 x 29-5/8 x 48"
(1,1 x 75,4 x 121,9 cm)



□ x2
7/16 x 13-7/8 x 96"
(1,1 x 35,2 x 243,8 cm)



□ x2
7/16 x 13-7/8 x 29-5/8"
(1,1 x 35,2 x 75,4 cm)



□ x2
7/16 x 5-5/8 x 48"
(1,1 x 14,4 x 121,9 cm)



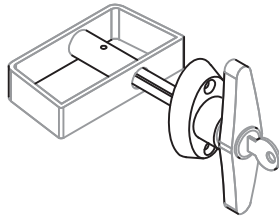
□ x2
7/16 x 5-5/8 x 13-7/8"
(1,1 x 14,4 x 35,2 cm)

Roof panels are 7/16" (1,1 cm) thick.

DOOR HARDWARE (Not actual size)

T-HANDLE

x1

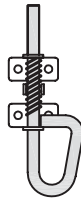


VENT

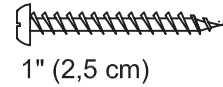
x1



x2



x4



1" (2,5 cm)

x8



1" (2,5 cm)

Included with barrel bolt

NAIL BOXES

x1 BOXES



3" (7,6 cm)

x4 BOXES



2" (5,1 cm)

FASTENER/HARDWARE BAG

x110



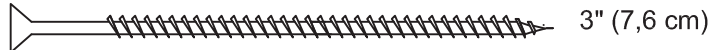
2" (5 cm)

x110



1-1/2" (3,8 cm)

x90 



3" (7,6 cm)

x16 



2" (5 cm)

x90 



1-1/4" (3,2)

x50 



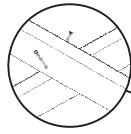
3/4" (1,9 cm)

NOTES

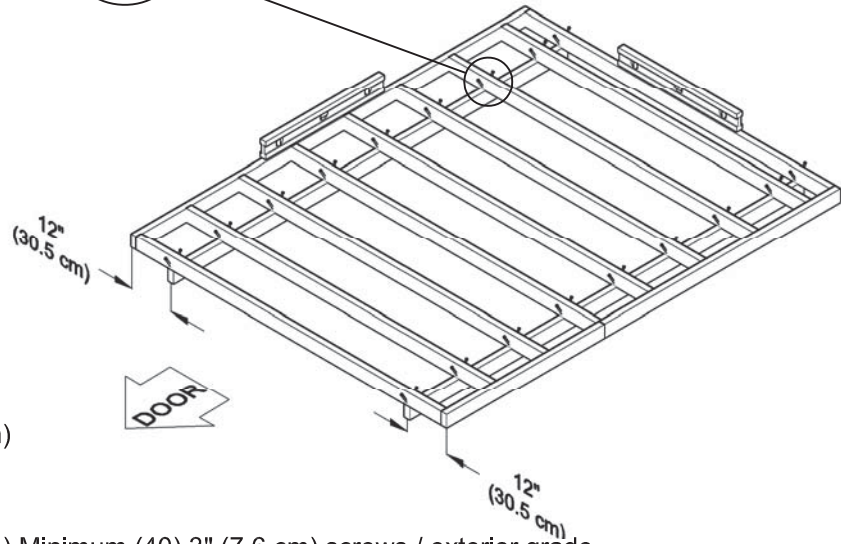
There are multiple ways to level your floor frame. Our recommended leveling method is shown below.
Leveling materials are not included in this kit.

PREFERRED METHOD - 4 X 4 TREATED RUNNERS

- 3" (7,6 cm) Screws angled into 4 x 4.
- (2) at each point frame and 4 x 4 touch.



Measurements to centers of 4x4's.

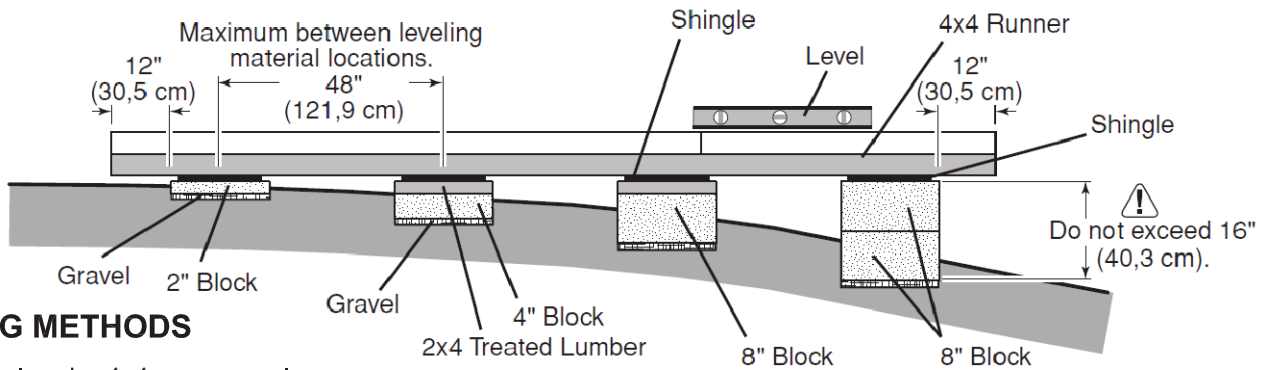


MATERIAL REQUIRED

- x2 4" x 4" x 10' (10,2 x 10,2 x 304,8 cm) Treated Lumber
- Fasteners for Frame to 4" x 4".
(3"(7,6 cm) Screws shown as one option.) Minimum (40) 3" (7,6 cm) screws / exterior grade.

Use only wood treated for ground contact and fasteners approved for use with treated wood.

Always support frame seams.



LEVELING METHODS

- Level under 4x4 runners only.
- Locate leveling material 12" (30,5 cm) from ends of runners and no more than 48" (121,9 cm) apart.
- Asphalt shingles should be used between 4x4 runners and blocks or treated lumber. Never use shingles in direct contact with ground.
- For best results and aiding in water drainage use gravel under each concrete block.

MATERIAL REQUIRED

- Gravel
- Solid Masonry Blocks in 1", 2", 4" or 8" thickness
- 2x4 Treated Lumber
- Asphalt Shingles

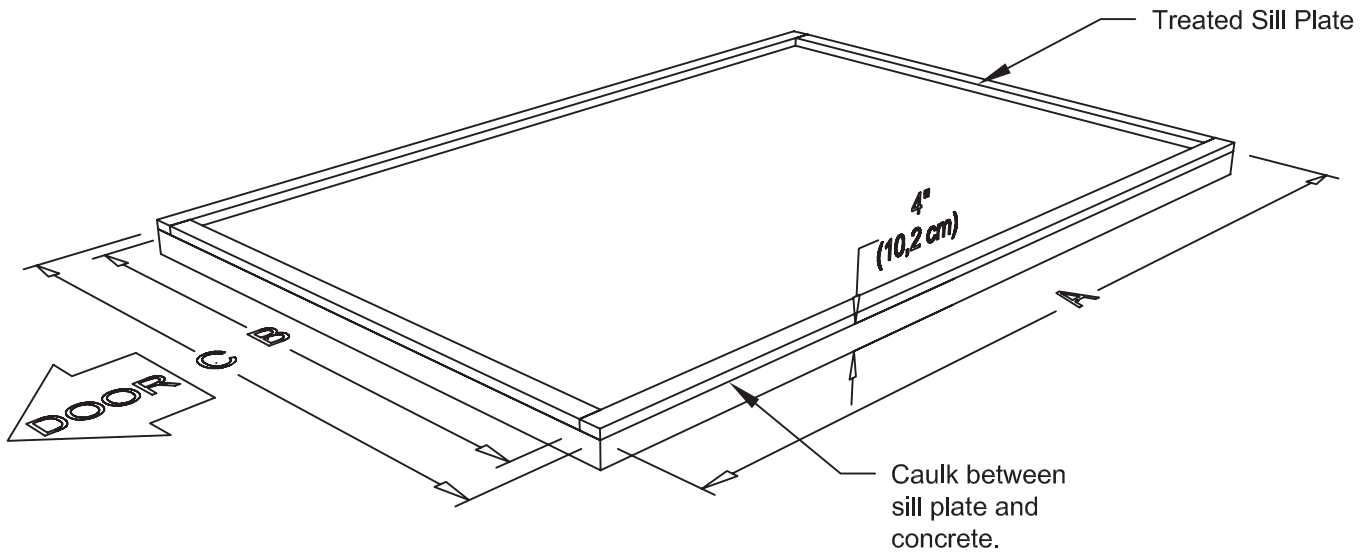
Leveling higher than 16" (40,3 cm) is not recommended.

CONCRETE

- If you are building your shed on concrete foundation see following page.

CONCRETE FOUNDATION

If you choose to install your kit on a concrete slab refer to the diagram below.



Building Size	Actual Size	A	B	C
8' x 10' (243,8 cm x 304,8)	96" x 120 (243,8 cm 304,8)	120" (304,8 cm)	89" (226,1 cm)	96" (243,8 cm)

Requires:

- x2** 2" x 4" x 10' (2,1 x 10,2 x 304,8 cm)
- x2** 2" x 4" x 8' (2,1 x 10,2 x 243,8 cm)
- x1** Caulk

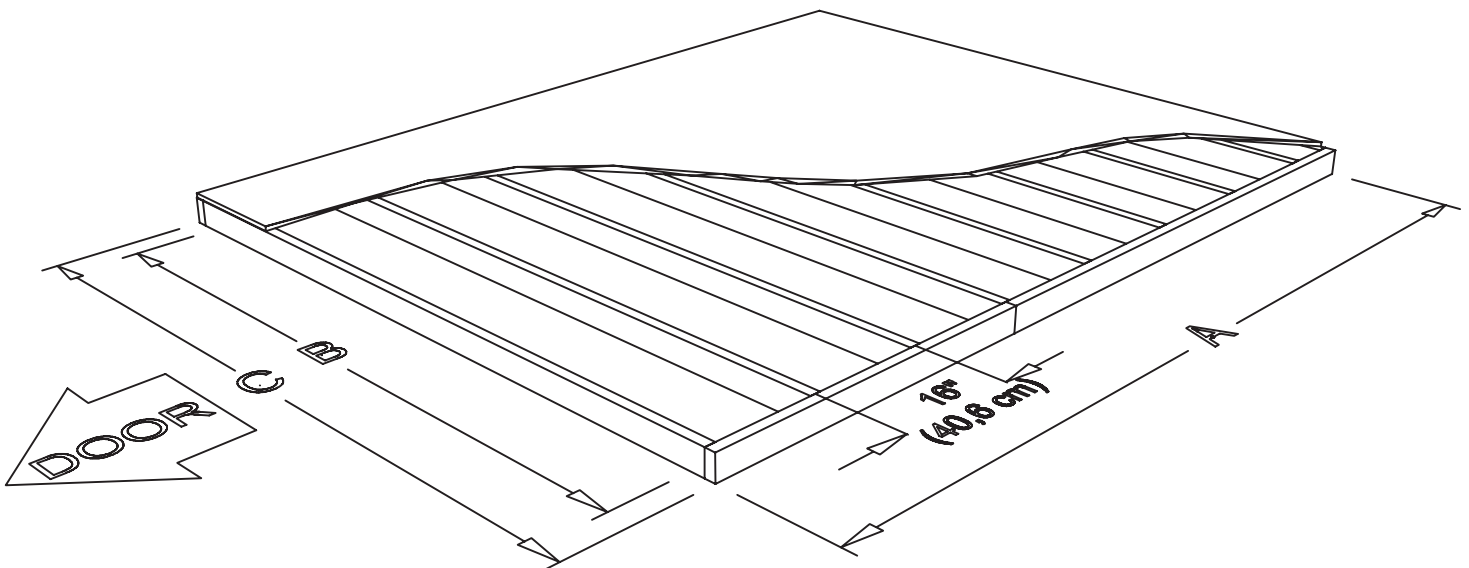
MUST be treated lumber.

MUST be treated lumber.

Allow new concrete slabs to cure for at least (7) days.

- A treated 2 x 4" (5,1 x 10,2 cm) sill plate is required when installing your shed on concrete.
- Use a high quality exterior grade caulk beneath all sill plates.
- Fasten 2 x 4" (5,1 x 10,2 cm) sill plates to slab using approved concrete anchors **(fasteners not included)**.
- Check local code for concrete foundation requirements.

WOOD FLOOR FRAME (NOT INCLUDED)



Building Size	Actual Size	A	B	C
8' x 10' (243,8 cm x 304,8)	96" x 120 (243,8 cm 304,8)	120" (304,8 cm)	93" (236,2 cm)	96" (243,8 cm)

FLOOR FRAME

STOP!



LEVEL AND SQUARE FLOOR FRAME



STOP!

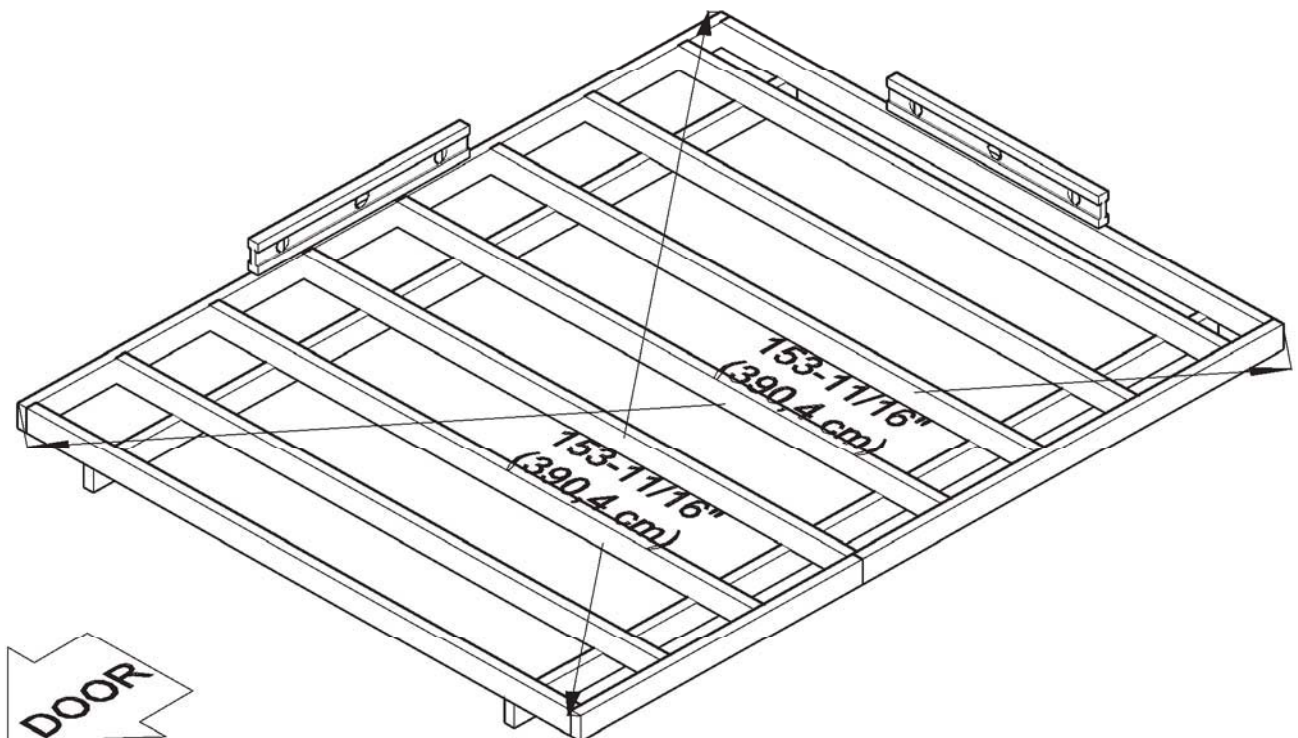
Before attaching floor decking, it is important to level and square the floor frame. A level and square floor frame is required to correctly construct your shed.



Begin



- 1) See page 7 for the preferred floor leveling method.
- 2) Use level and check the frame is level before applying floor panels
- 3) Check for frame squareness by measuring diagonally across the corners. If the measurements are the same, the frame is square. The diagonal measurement will be approximately 153-11/16" (390,4 cm).
- 4) When the frame is level at ends of each runner. Move to the opposite end of the frame. Secure the frame to 4x4 runners with one fastener at ends of each runner making sure the frame remains square (**Fig. A**).
- 5) Once the floor is level and square fasten the frame at each point the frame contacts the 4x4 runners.

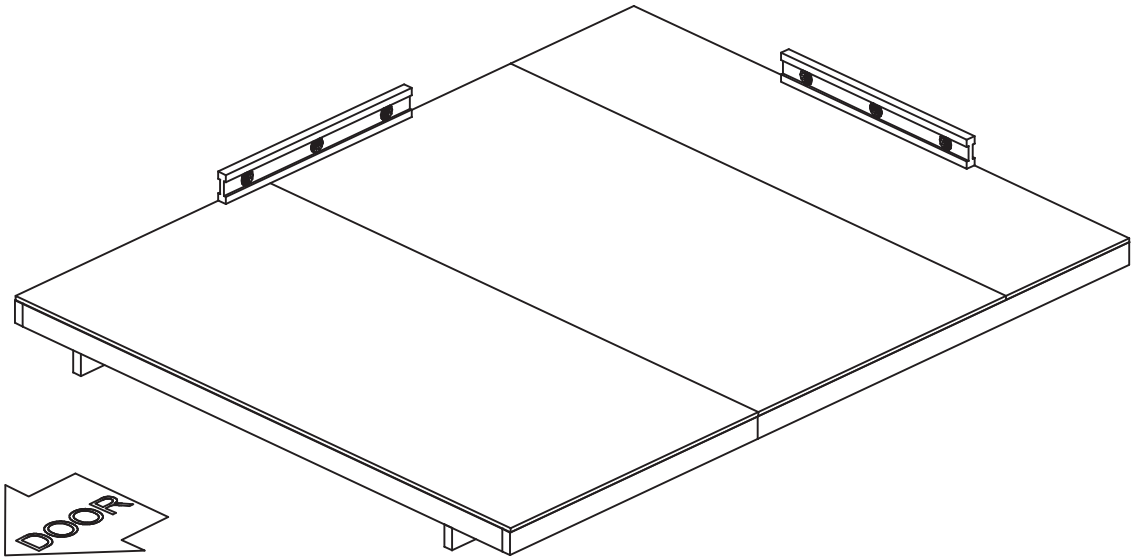




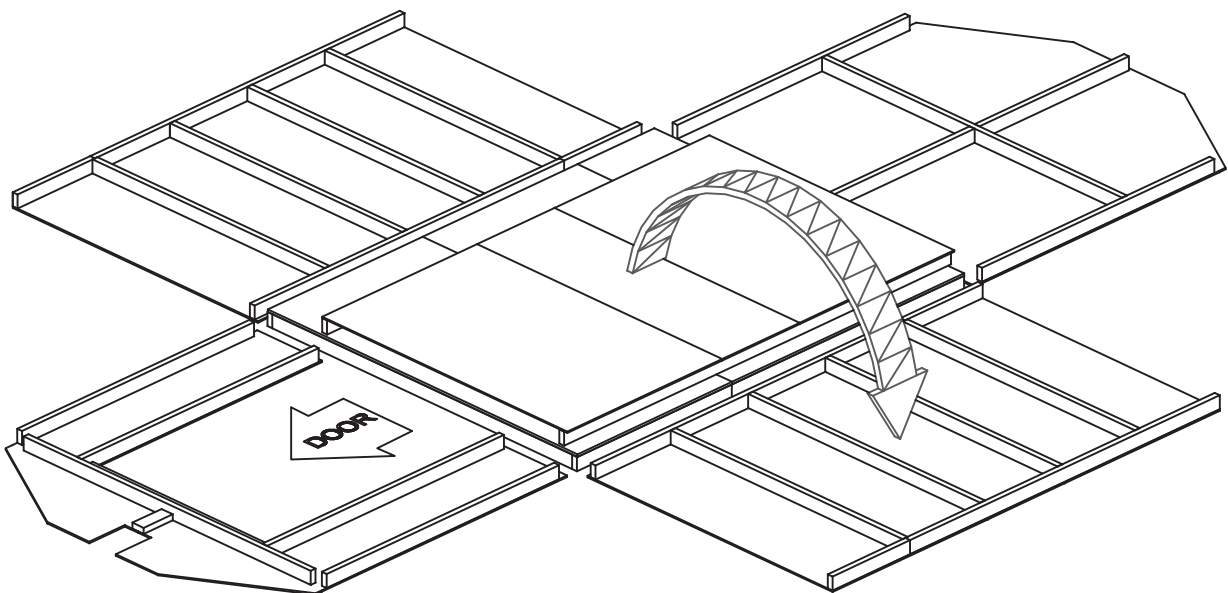
IMPORTANT!

STOP!

Check the floor frame is level after installing floor panels. Re-level if needed.



- The floor should be used as a stable work surface for wall construction.
- Organize your assembly procedure during the build process to avoid over-handling of the walls



BACK WALL

Parts Required:

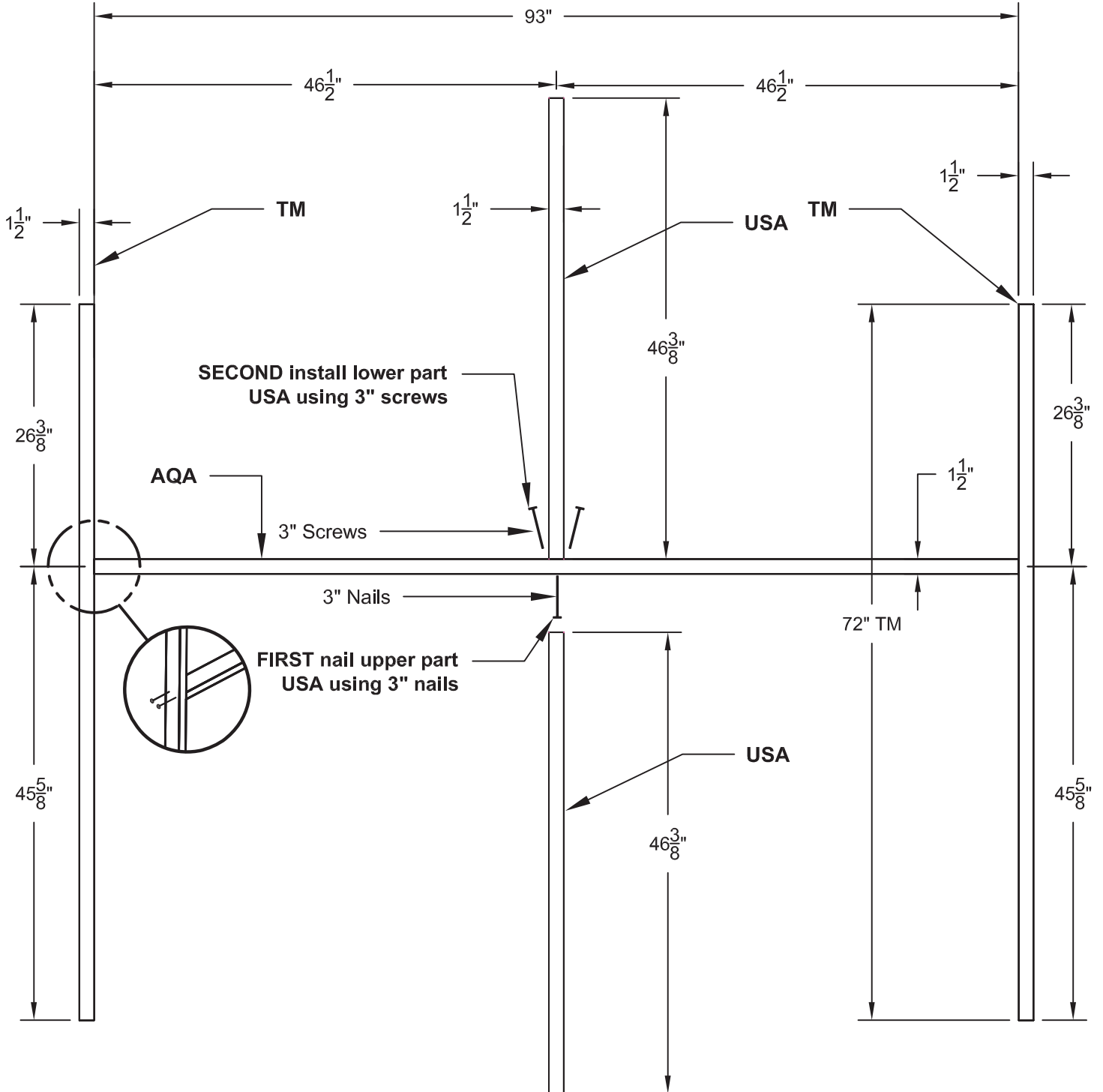
X1	2 x 4 x 93"	AQA
X2	2 x 4 x 72"	TM
X2	2 x 4 x 46-3/8"	USA

Fasteners Required:

X6	3" Nails
X2	3" Screws

ASSEMBLY STEPS / NOTES:

- Orient parts on edge on floor as shown. Measure and mark. Attach upper part **USA** first.
- Nail using two 3" nails at each connection. Except at center connection - use 3" screws.



BACK WALL

Parts Required:

X1 $\frac{3}{8}$ x 48 x 96" Wall Panel

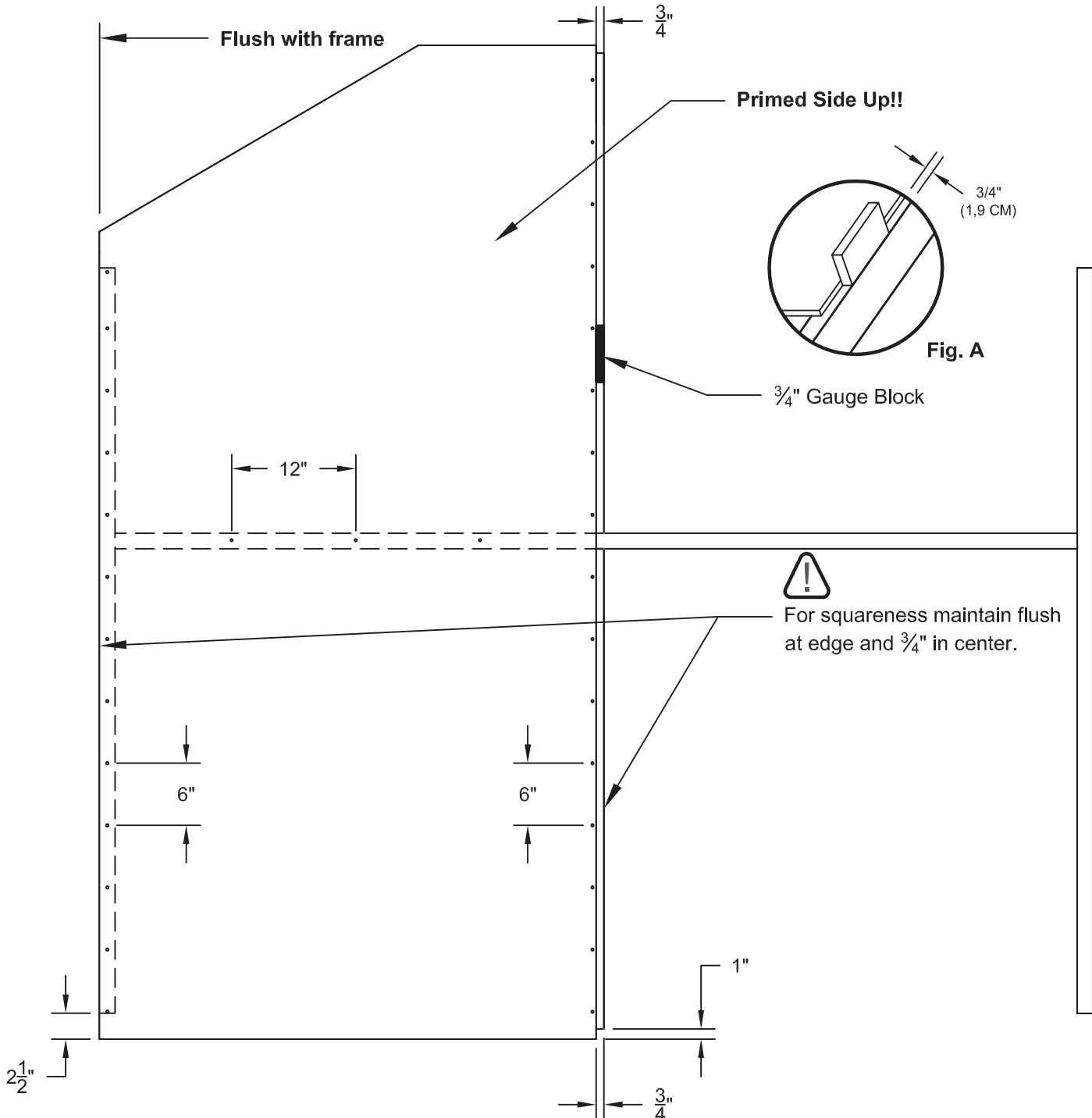


Fasteners Required:

X32 2" Nails

ASSEMBLY STEPS / NOTES:

1. Place panel on frame as shown with primed side facing up.
2. Use a $\frac{3}{4}$ " gauge block (Fig. A) at edge of panel. Panel is 1" down from center board and $2\frac{1}{2}$ " down from side board.
3. Nail using 2" nails 6" apart on edges and 12" apart inside panel.



BACK WALL

Parts Required:


X1 $\frac{3}{8}$ x 48 x 96" Wall Panel

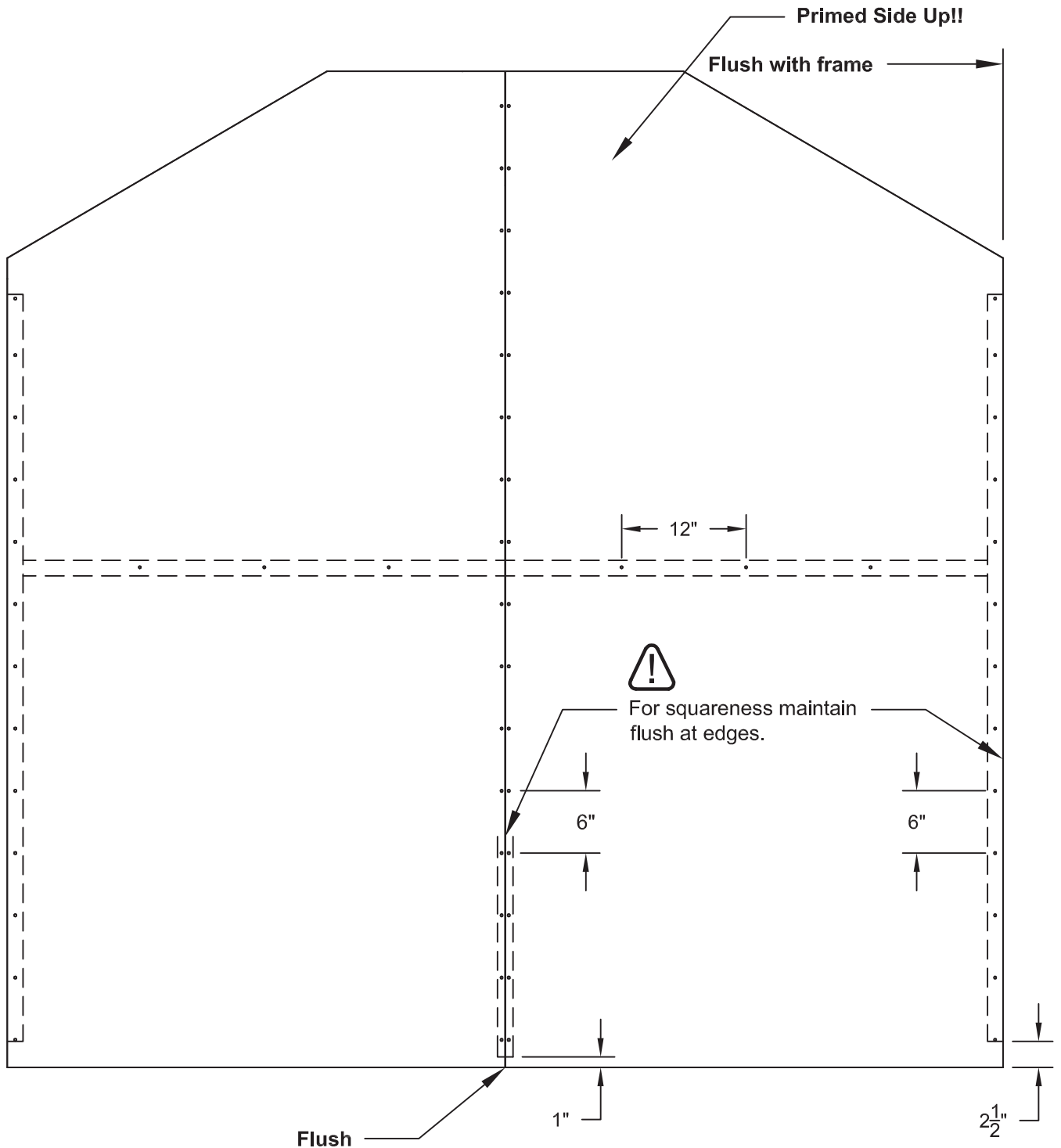


Fasteners Required:

X32 2" Nails

ASSEMBLY STEPS / NOTES:

1. Place panel on frame as shown with primed side facing up.
2. Keep panel flush to other panel and to side frame. Panel is 1" down from center board and 2-1/2" down from side frame.
3. Carefully flip the wall over. 



SIDE WALL

Parts Required:

X2	2 x 4 x 96"	TP
X4	2 x 4 x 72"	TM
X2	2 x 4 x 24"	RL

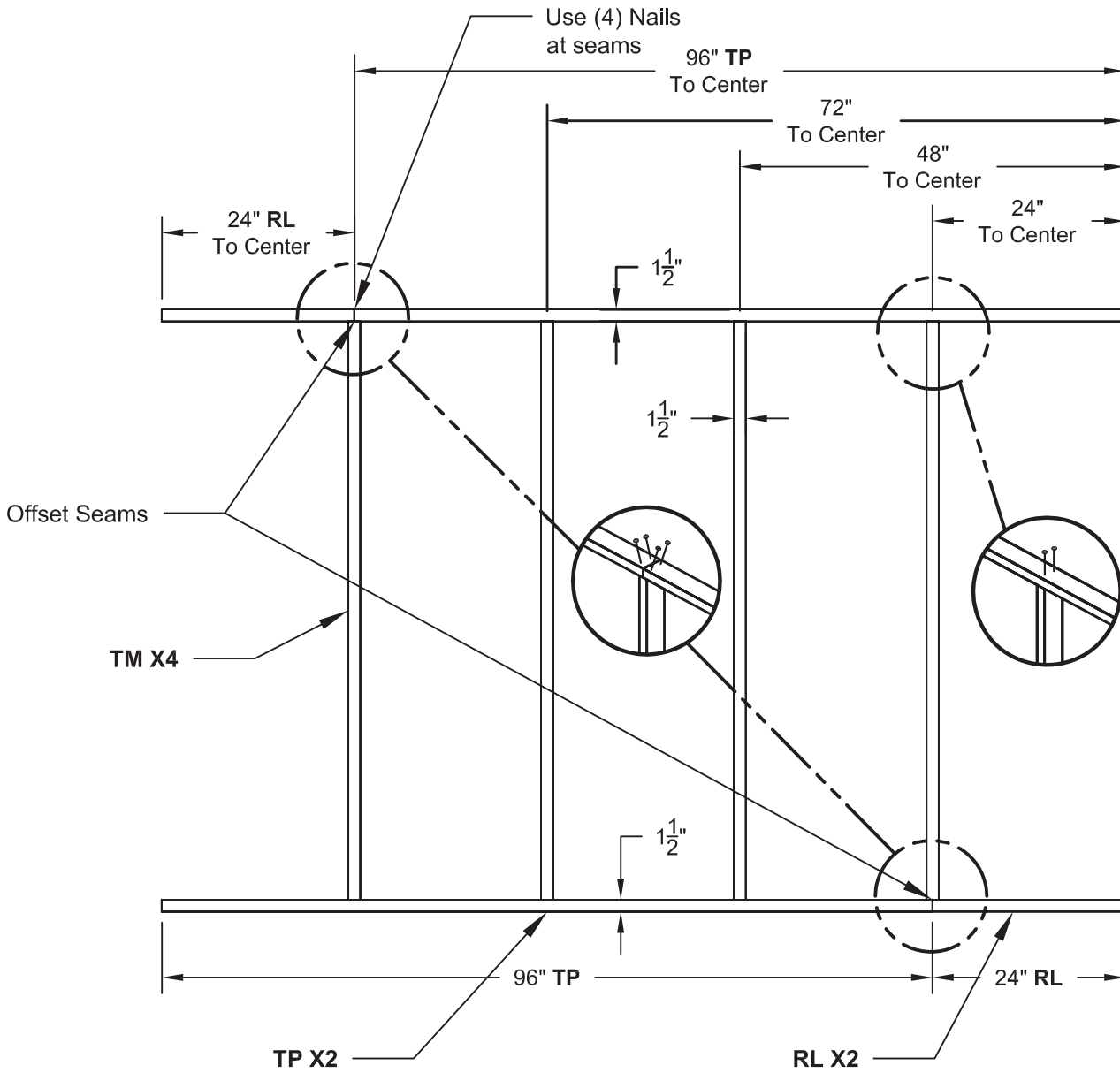
Fasteners Required:

X20 3" Nails

ASSEMBLY STEPS / NOTES:


For windows option see instructions packed with windows.

1. Orient parts on edge on floor as shown. Measure and mark.
2. Attach with 3" nails, two at each connection. Angle nails at seams.



SIDE WALL

Parts Required:

X1 $\frac{3}{8}$ x 48 x 76" Wall panel 

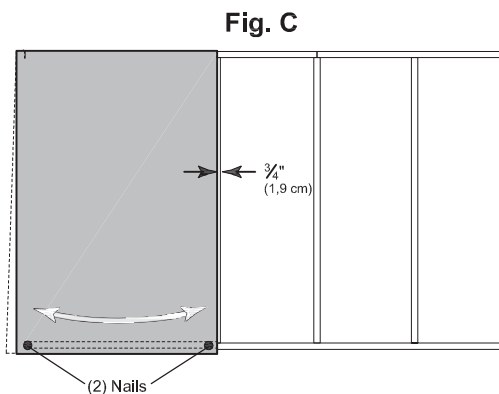
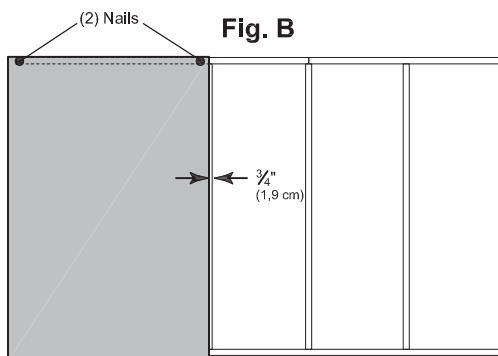
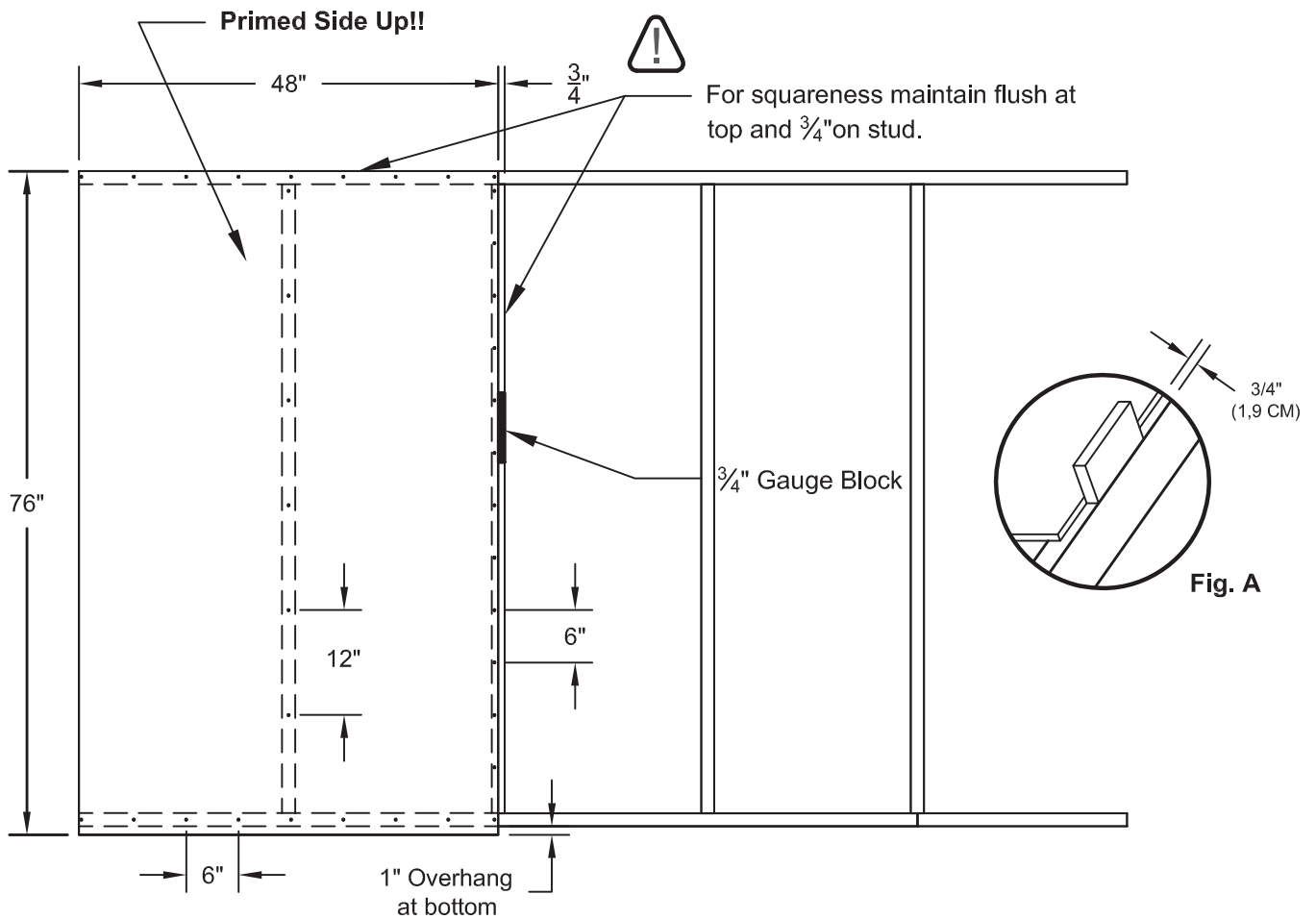


Fasteners Required:

X36 2" Nails

ASSEMBLY STEPS / NOTES:

1. Place the 48 x 76" panel onto the wall frame with primed side up as shown. Use the gauge block to mark the $\frac{3}{4}$ " measurement on the wall stud (Fig. A). Keep panel flush at top. Secure panel with two 2" nails in the corners (Fig. B).
2. Move to the opposite end. Using the long edge of the panel as a lever move the panel side-to-side until you have a $\frac{3}{4}$ " measurement on the wall stud. Secure corner with two 2" nails (Fig. C).
3. Nail the panel using 2" nails 6" apart on edges and 12" apart inside panel.



SIDE WALL

Parts Required:

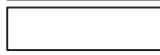
X1 $\frac{3}{8}$ x 48 x 76"

Wall panel



X1 $\frac{3}{8}$ x 23-7/8 x 76"

Wall Panel

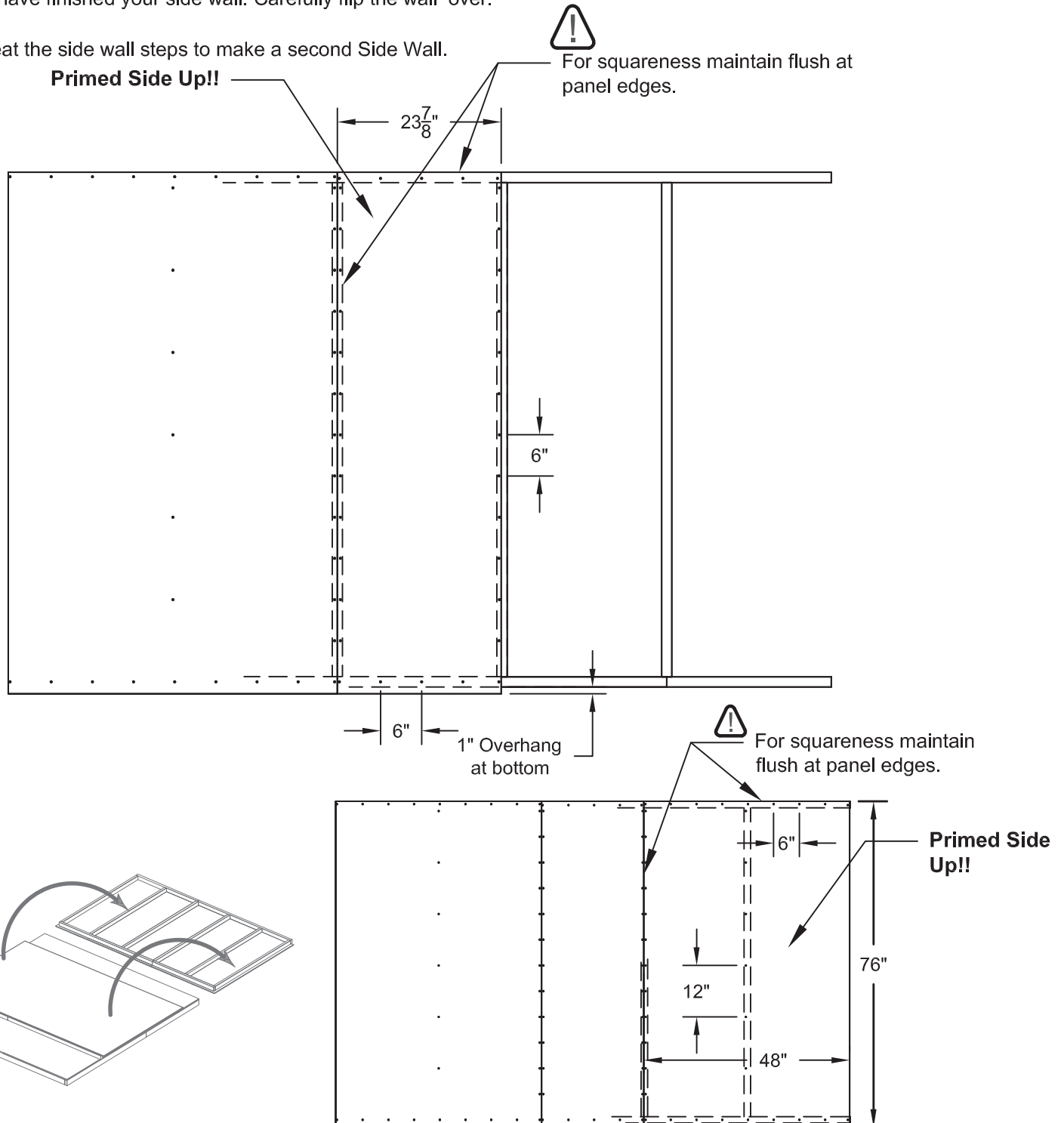


Fasteners Required:

X70 2" Nails

ASSEMBLY STEPS / NOTES:

1. Place the center 23-7/8 x 76" panel on frame as shown with primed side facing up. Nail the panel using 2" nails 6" apart on edges.
2. Place the end 48 x 76" panel on frame as shown with primed side facing up. Nail the panel using 2" nails 6" apart on edges and 12" apart inside panel.
3. You have finished your side wall. Carefully flip the wall over.
4. Repeat the side wall steps to make a second Side Wall.



FRONT WALL

Parts Required:

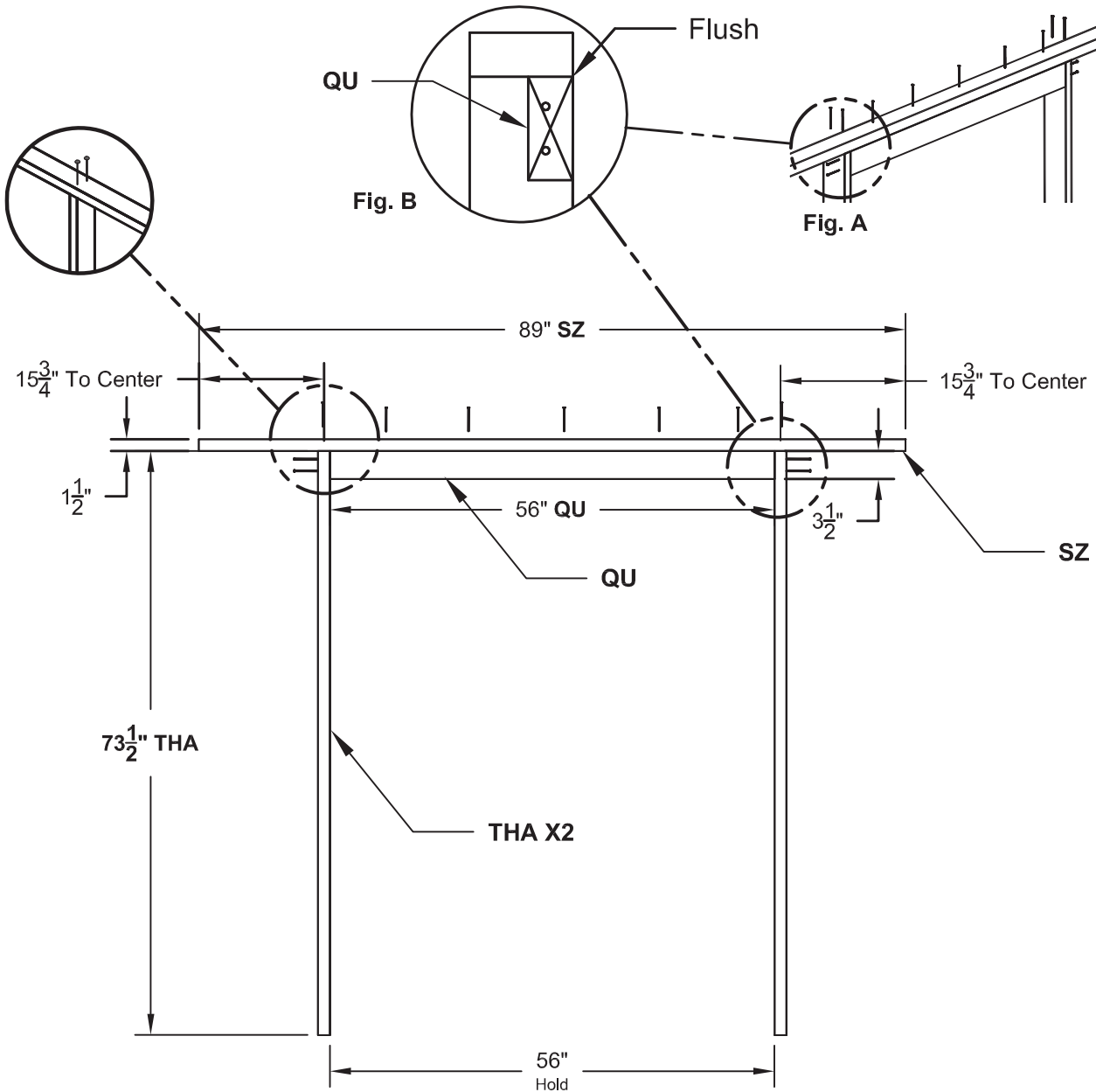
X1	2 x 4 x 89"	SZ
X2	2 x 4 x 73-1/2"	THA
X1	2 x 4 x 56"	QU

Fasteners Required:

X13 3" Nails

ASSEMBLY STEPS / NOTES:

1. Orient parts on edge on floor as shown, with the exception of the header which will be laid flat. Measure and mark. Attach with 3" nails, two at each connection.
2. Nail header with two 3" nails at ends and five 3" nails through top plate (Fig A).
3. **!! NOTE NAIL HEADER (QU) USING THE FLOOR TO KEEP IT FLUSH (Fig B). FLIP FRAME OVER WHEN DONE SO THAT THE HEADER IS FACE UP !!**



FRONT WALL

Parts Required:

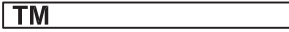
X1 $\frac{3}{8}$ x 48" x 96" Wall Panel

X1 2 x 4 x 72" **TM**

X1 2 x 4 x 9" **UU**

X1 2 x 6 x 24-3/4" **UHA**

X1 Gusset



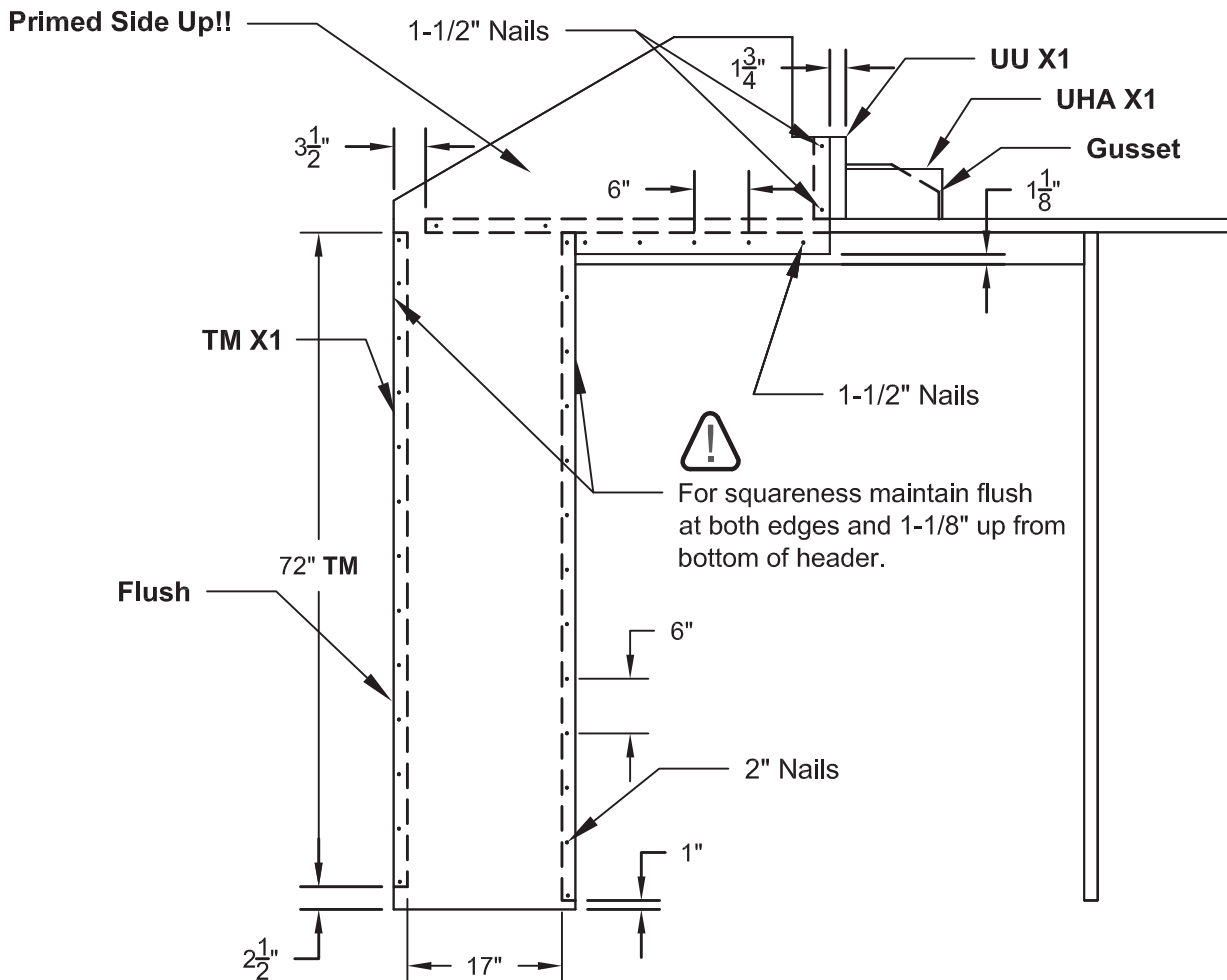
Fasteners Required:

X28 2" Nails

X7 1-1/2" Nails


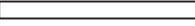
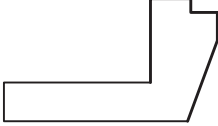
ASSEMBLY STEPS / NOTES:

- Place the 48 x 96" panel onto the wall frame with primed side up as shown. Keep panel flush at vertical door frame and a 1" overhang on the bottom of the vertical door frame.
- Nail the panel using 2" nails 6" apart on edges and 12" apart inside panel. Use 1-1/2" nail when nailing into the header and **UU**.
- Place **TM** as shown. Flush to the side of the panel, and 2-1/2" from the bottom of the panel. Nail the panel to **TM** using 2" nails 6" apart.
- Center **UU** on the top plate as shown. Put a **UHA** and a **Gusset** underneath **UU** for support to hold it against the panel. Nail the panel into place with two 1-1/2" nails.



FRONT WALL

Parts Required:

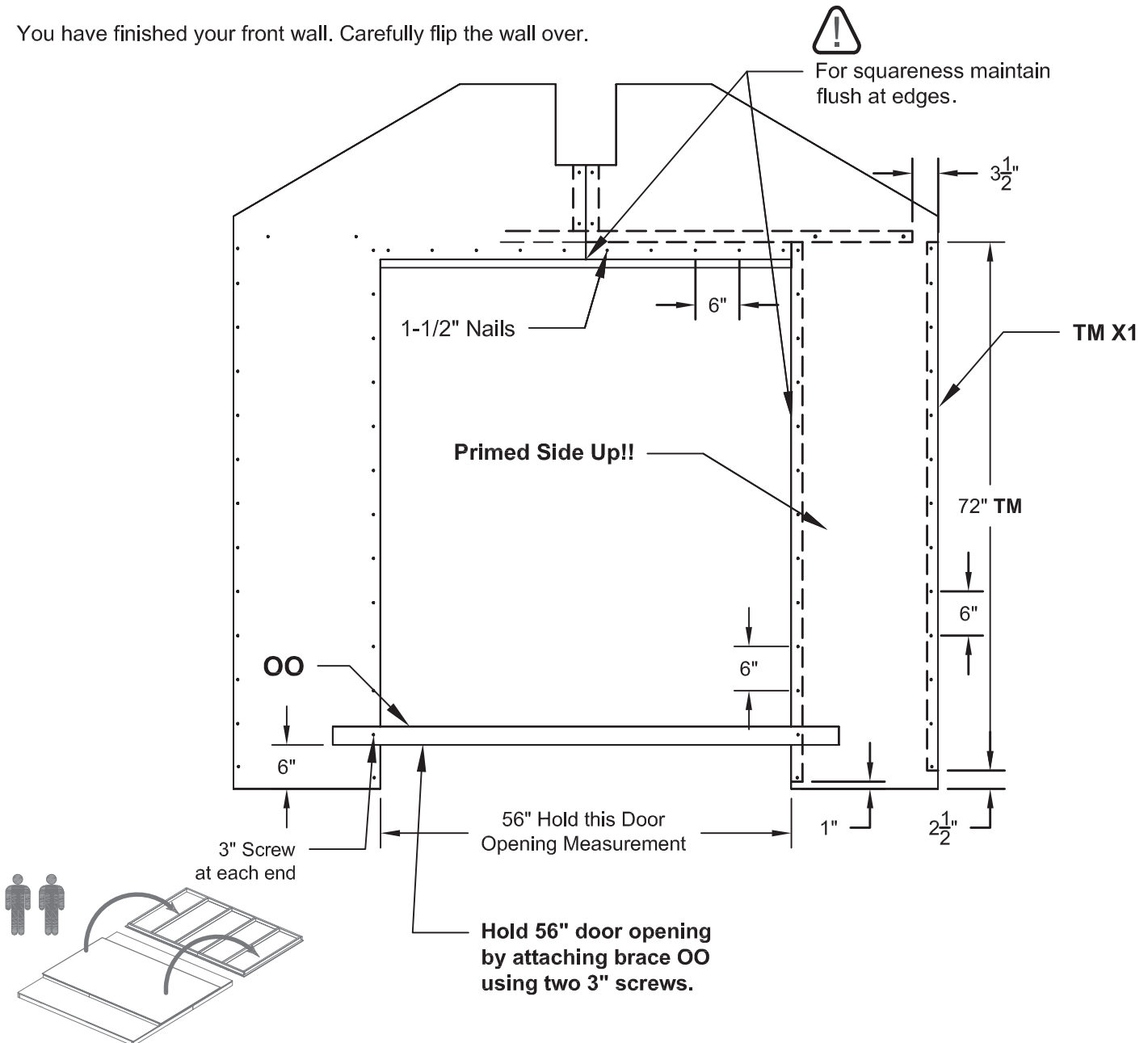
X1	2 x 4 x 72"	TM	
X1	2 x 3 x 69"	OO Temporary Brace	
X1	3/8 x 48 x 96"	Wall Panel	

Fasteners Required:

X28	2" Nails
X7	1-1/2" Nails
X2	3" Screws

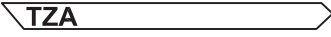
ASSEMBLY STEPS / NOTES:

1. Place the 48" x 96" panel onto the wall frame with primed side up as shown. Keep panel flush with vertical door frame and the first panel.
2. Nail the panel using 2" nails 6" apart on edges and 12" apart inside panel.
3. Place **TM** as shown. Flush to the side of the panel, and 2-1/2" from the bottom of the panel. Nail the panel to **TM** using 2" nails 6" apart.
4. Attach brace **OO** with one 3" screw at each end to hold the 56" door opening.
5. You have finished your front wall. Carefully flip the wall over.



STANDING WALLS


Parts Required:

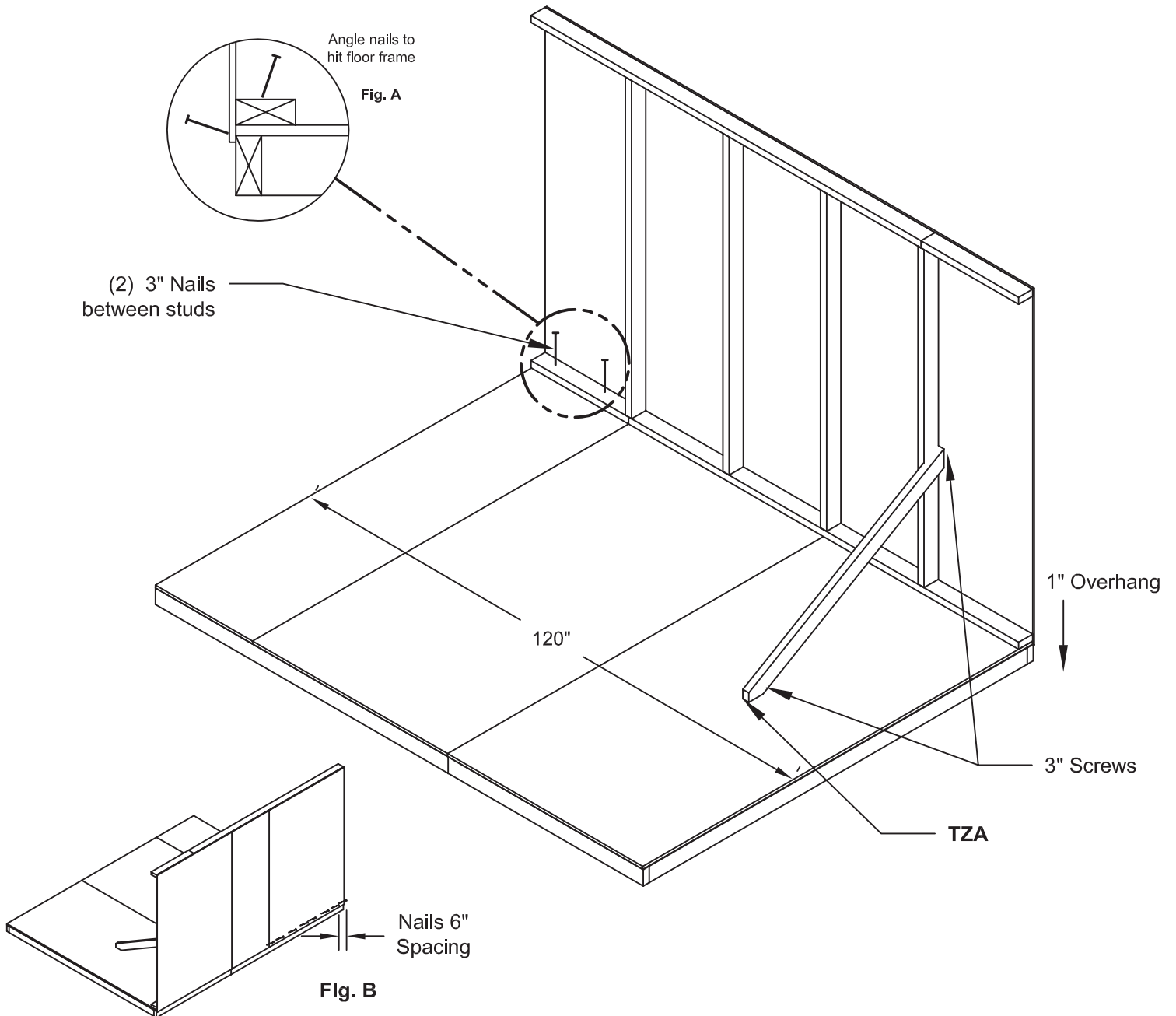
X1	Side Wall Assembly	
X1	2 x 4 x 55-9/16"	

Fasteners Required:

X10	3" Nails
X23	2" Nails
x2	3" Screws

ASSEMBLY STEPS / NOTES:

- Stand side wall on floor. Overhang is to bottom of panel. Center side wall on the 120" floor dimension. 
- Use **TZA** rafter as a temporary brace. Secure with two 3" screws.
- First, nail along lower outside edge of panel to floor frame using 2" nails 6" apart. Angle nail to hit floor frame (Fig. A, B).
- Second, nail through the bottom plate using two 3" nails between studs. Angle nails to hit floor frame. (Fig. A.)



STANDING WALLS

Parts Required:

X1 Back Wall Assembly

Fasteners Required:

X19 2" Nails
 X11 1-1/2" Nails
 x4 3" Screws

ASSEMBLY STEPS / NOTES:

It is important to secure the back wall in the following order.



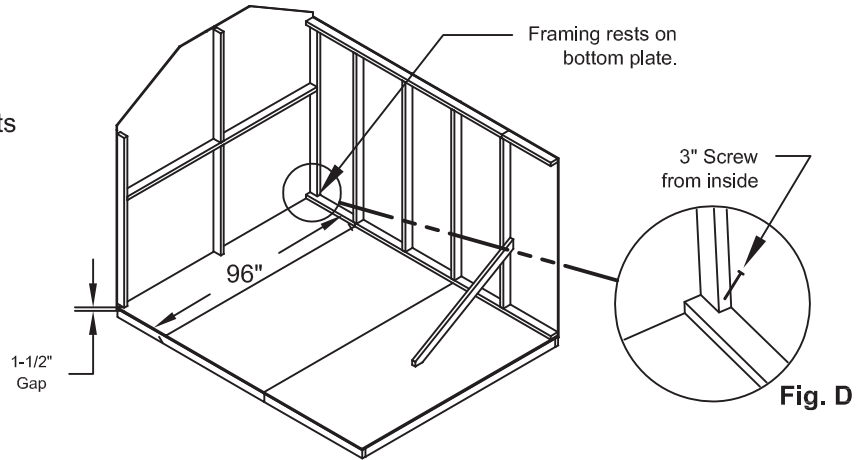
Begin by standing the back wall on the floor.

- Center back wall side-to-side on the 96" floor dimension.

In the corner make sure the back wall frame rests on the side wall bottom plate.

Nail the lower left corner to the floor frame with one 2" nail. Angle the nail to hit the floor frame (Fig. A).

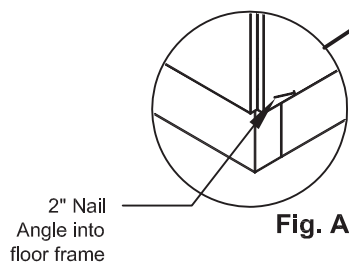
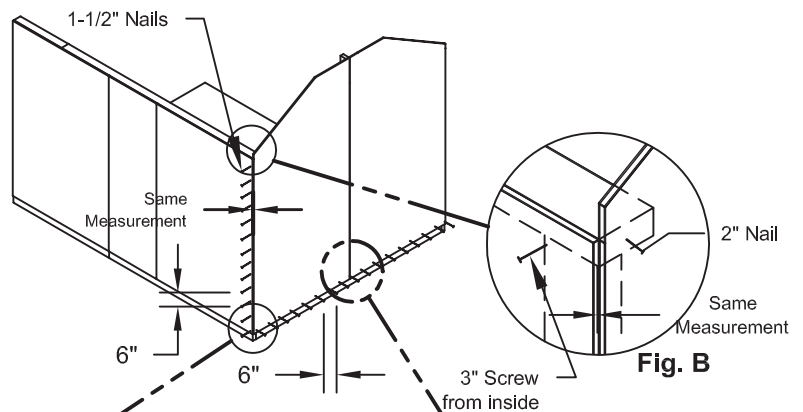
Note: There should be a 1-1/2" gap at the opposite side.



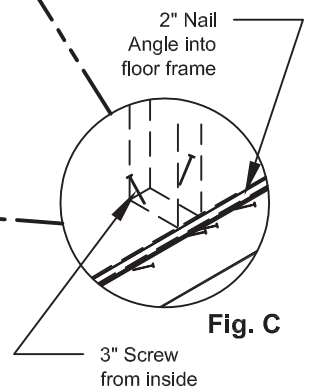
- Be sure the measurement between the panel edges is the same along the entire length. Then secure with one 2" nail in the upper corner (Fig. B).

Nail along the side panel edge into the frame using 1-1/2" nails spaced 6" apart.

Nail along bottom of panel using 2" nails 6" apart. Angle nail to hit floor frame (Fig. C).



- From inside secure the back wall frame using 3" screws through the frame into the floor (Fig. C) and through the frame into the upper side wall rail (Fig B) and lower side wall rail (Fig D).



STANDING WALLS

Parts Required:

X1 Side Wall Assembly

Fasteners Required:

X2 3" Screws
 X11 1-1/2" Nails
 X23 2" Nails
 X12 3" Nails

ASSEMBLY STEPS / NOTES:

It is important to secure the side wall in the following order.

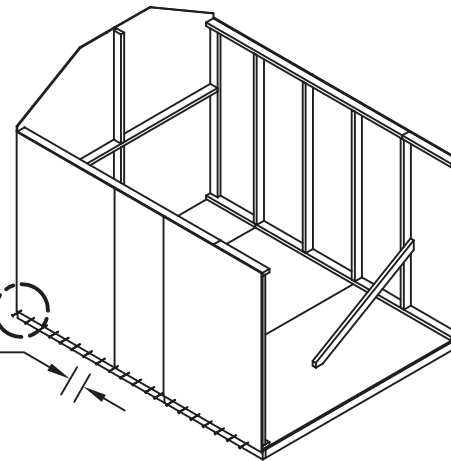
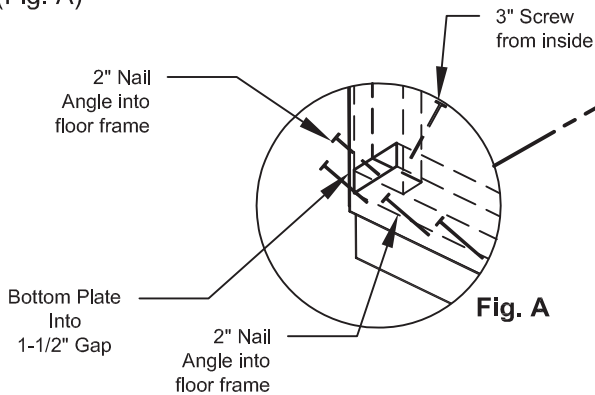


Begin by standing the side wall on the floor.

- Center side wall side-to-side on the 120" floor dimension.

In the corner make sure the bottom plate fits into the 1-1/2" gap of the back wall frame (Fig. A)

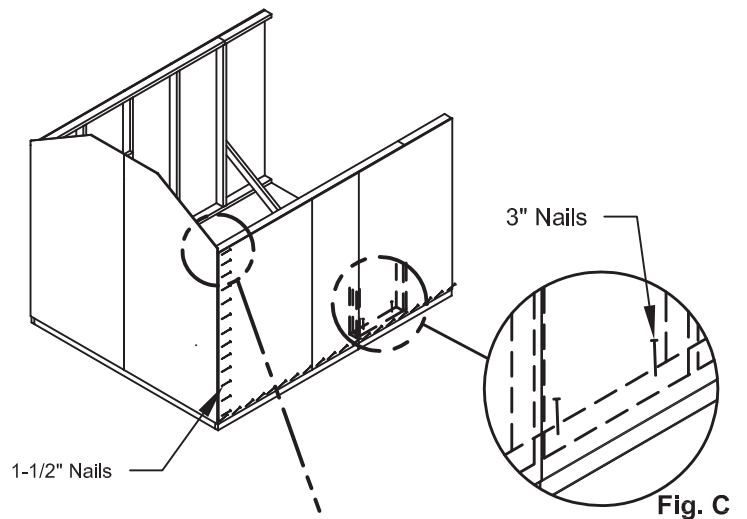
Nail the lower corners to the floor frame with one 2" nail each. Angle the nails to hit the floor frame (Fig. A)



- Be sure the measurement between the panel edges is consistent along the entire length. Then secure with one 2" nail in the upper corner (Fig. B).

Nail along the side panel edge into the frame using 1-1/2" nails spaced 6" apart.

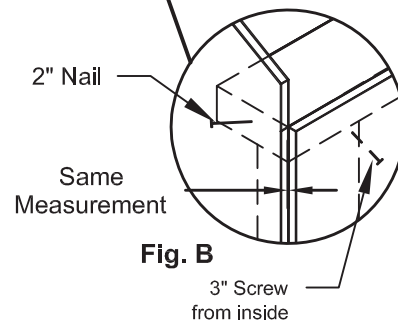
Nail along bottom of panel using 2" nails 6" apart. Angle nail to hit floor frame (Fig. A).



- From inside secure the side wall using 3" screws through the back wall frame into the side wall bottom plate. (Fig. A)

Secure side wall top plate into back wall frame with 3" screw. (Fig B)

Nail through the bottom plate using (2) 3" nails between studs. Angle nails to hit floor frame (Fig C).



STANDING WALLS

Parts Required:

X1 Front Wall Assembly

Fasteners Required:

X22 1-1/2" Nails

X8 2" Nails

x8 3" Screws

ASSEMBLY STEPS / NOTES:

It is important to secure the front wall in the following order.

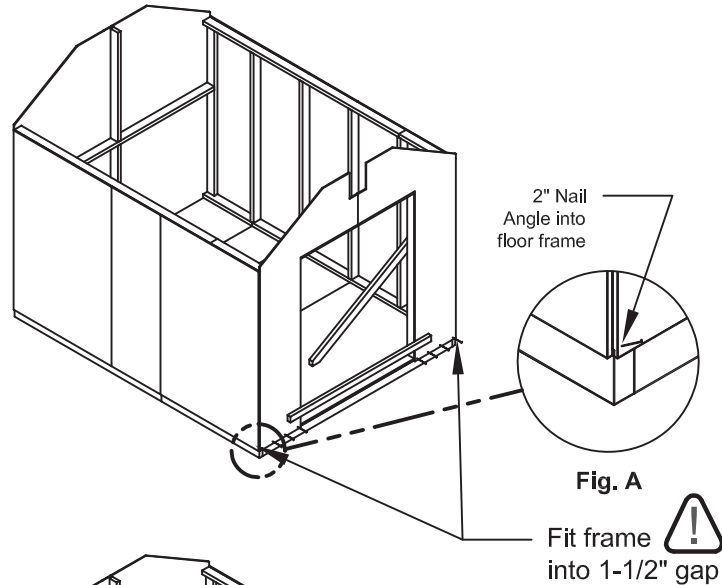


Begin by standing the front wall on the floor.

- Center front wall on floor side-to-side. Make sure the side wall bottom plates are securely in the 1-1/2" gaps of the front wall.

Check the 56" door opening is held before nailing.

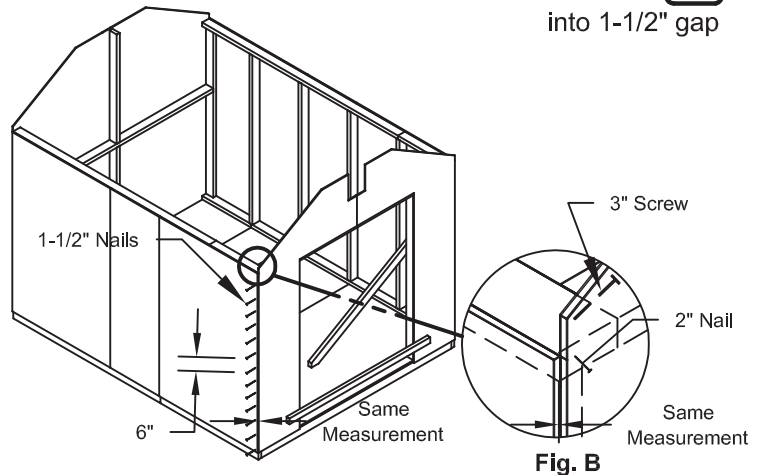
Nail the front wall to the floor using 2" nails 6" apart. Angle nails to hit floor frame (Fig. A).



- Be sure the measurement between the panel edges is the same along the entire length. Then secure with one 2" nail in the upper corner (Fig. B).

Nail along the side panel edge into the frame using 1-1/2" nails spaced 6" apart.

- From inside secure the front wall frame using 3" screws through the frame into the floor (Fig. C) and through the frame into the upper side wall rail (Fig B) and lower side wall rail (Fig B).

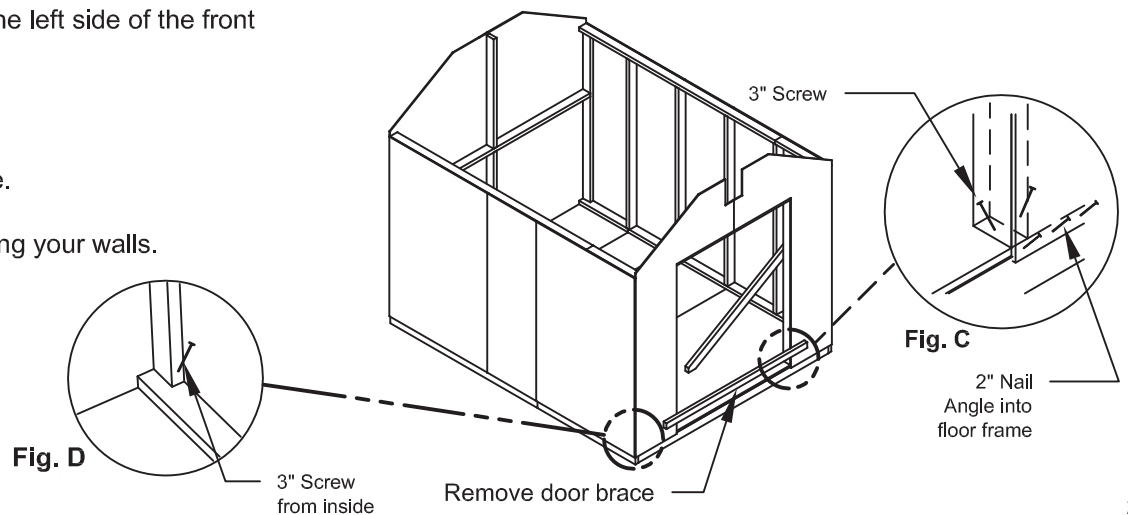


- Repeat steps to secure the left side of the front wall.

Remove the door brace.

Remove temporary brace.

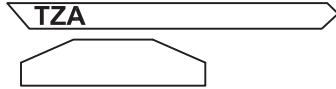
You have finished standing your walls.



RAFTERS

Parts Required:

X12 2 X 4 X 55-9/16"
 X10 Gussets

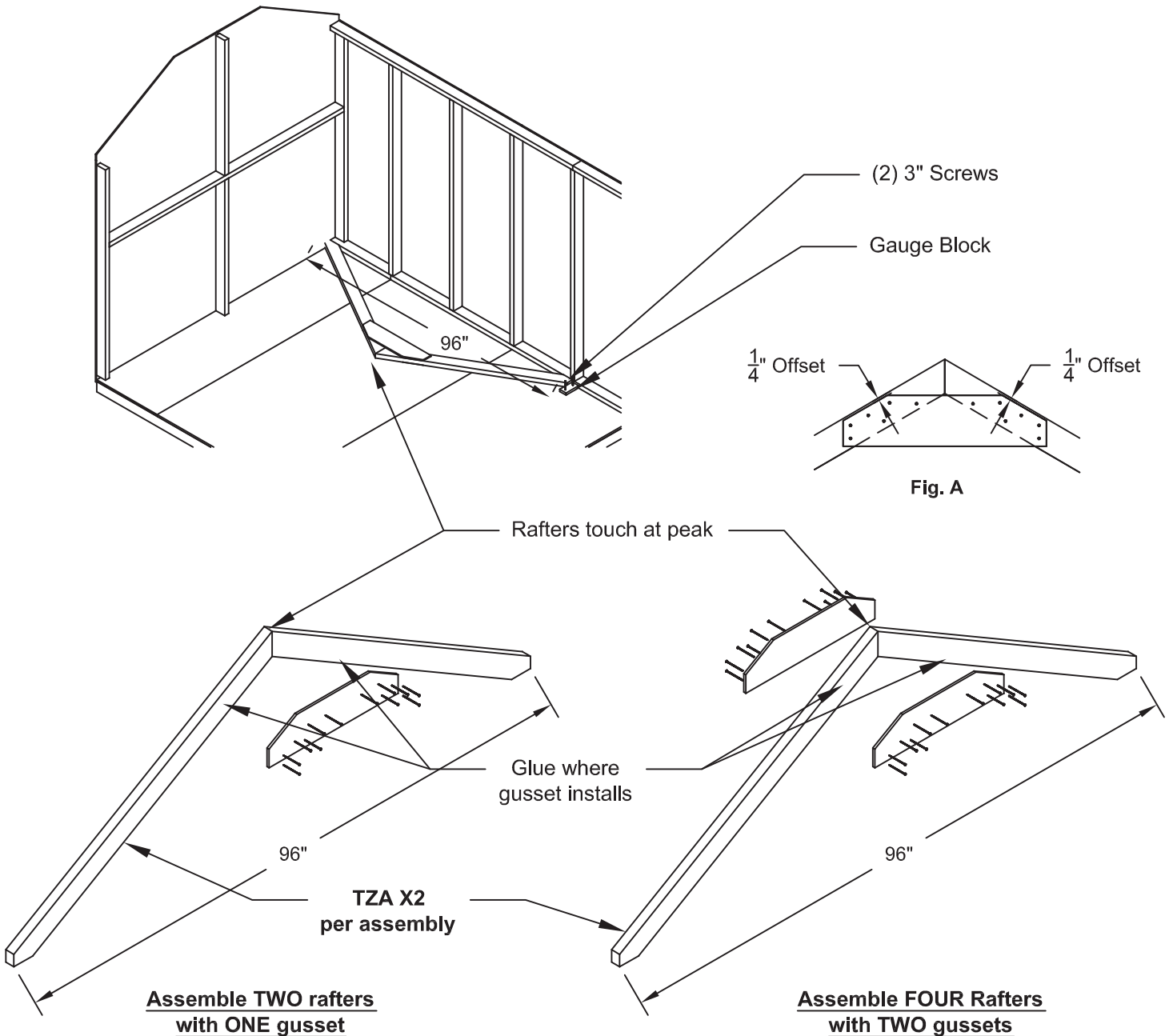


Fasteners Required:

X120 2" Nails
 x2 3" Screws

ASSEMBLY STEPS / NOTES:

1. You will assemble (6) rafters. **(2) Rafters have only ONE gusset. (4) Rafters have TWO gussets** . Make a jig so rafters all have the same measurement using the shed floor and **GAA 3/4"** gauge block.
2. Measure 96" from the corner and screw down the **GAA 3/4"** gauge block securely.
3. Place rafter parts in jig as shown. Apply glue to rafters where the gusset will fit. Ends of rafters must touch at the peak. Nail gusset to rafters with a 1/4" offset using twelve 2" nails in pattern shown. (Fig. A)
4. On **TWO** rafters install **ONE** gusset. On **FOUR** rafters flip over rafter assembly and attach a **SECOND** gusset.



RAFTERS

Parts Required:

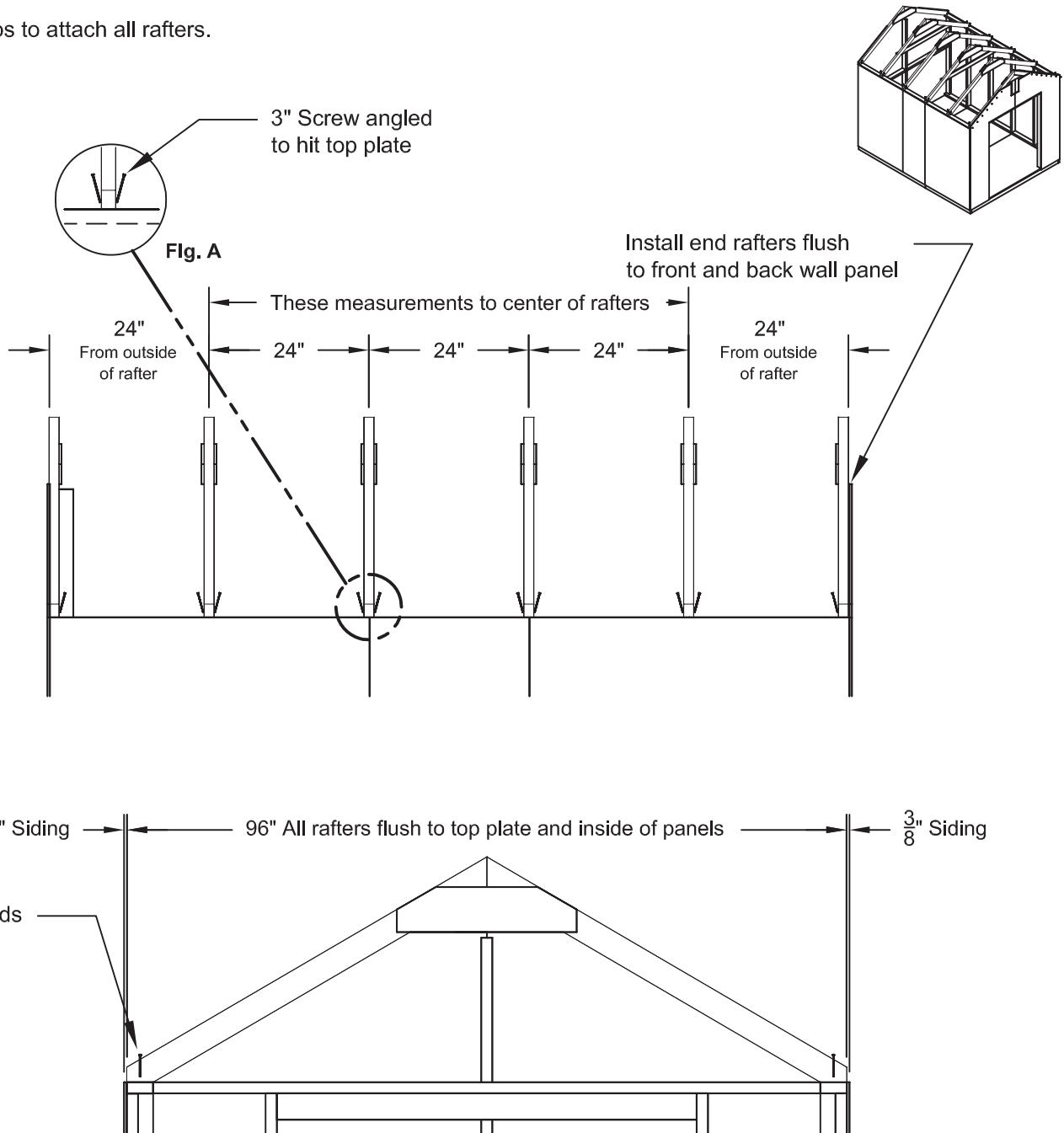
- X4 Rafter Assemblies w/2-Gussets
- X2 Rafter Assembly w/1-Gusset

Fasteners Required:

- X20 3" Screws


ASSEMBLY STEPS / NOTES:

1. Mark top of wall frames to measurement shown.
2. Locate end rafters flush against front wall panel and flush to top plate and inside of side wall panels. Secure end flush to top plate using one 3" screw angled through rafter into top plate. (Fig. A). Move to the opposite end and repeat to secure the other rafter end.
3. Center middle rafters on marks. Hold rafter end flush to top plate and inside of wall panels and secure using 3" screws angled through rafter into top plate. (Fig. A). Move to the opposite end and repeat to secure the other rafter end.
4. Repeat steps to attach all rafters.



GABLE FILLER

Parts Required:

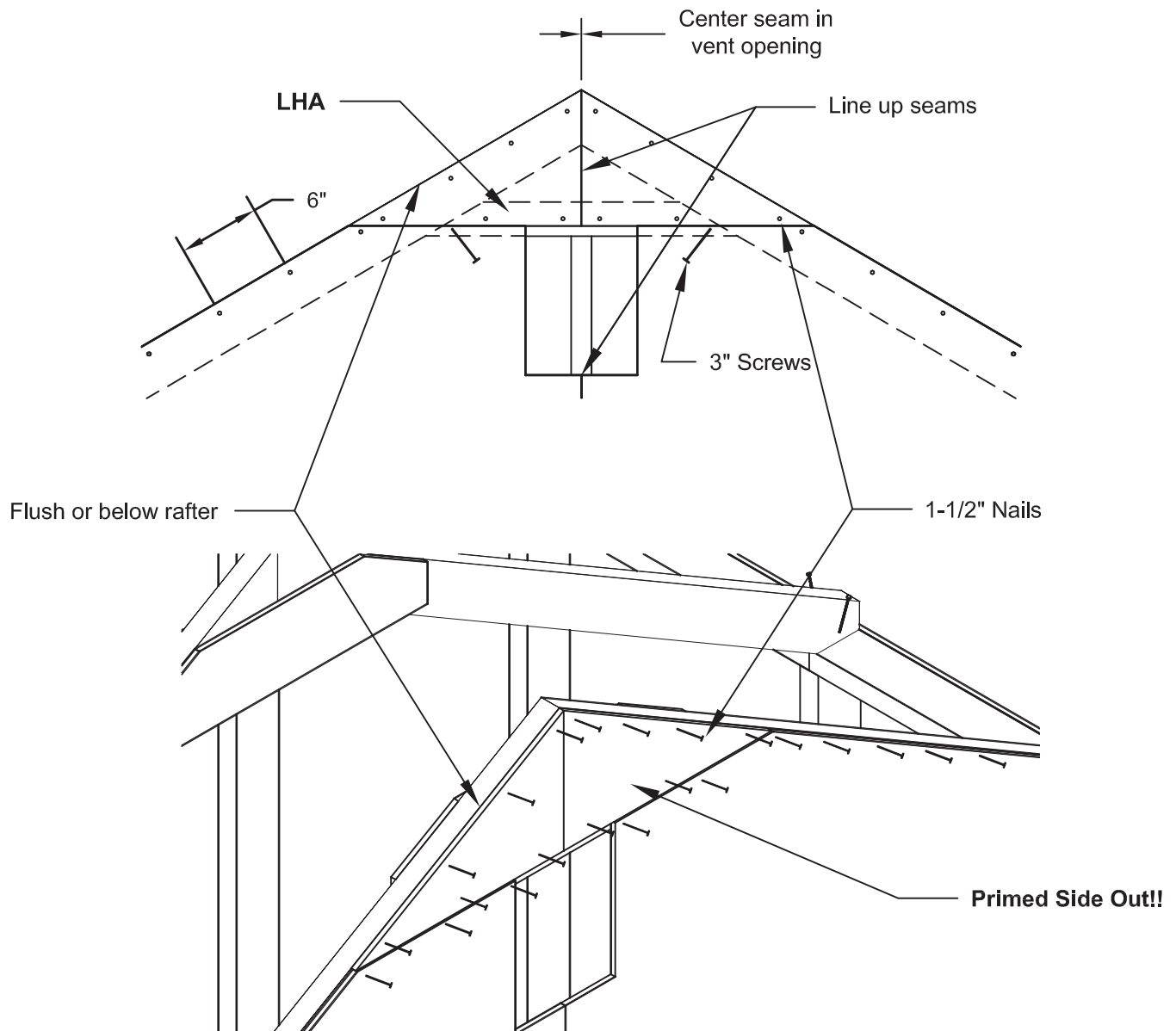
X4	$\frac{3}{8}$ x 10 x 17-3/16"	2-Right & 2-Left Gable Filler
X2	2 x 3 x 23"	

Fasteners Required:

X60	1-1/2" Nails
X4	3" Screws

ASSEMBLY STEPS / NOTES:

1. Place Gable Brace LHA on end rafter between wall panel and rafter gusset.
2. Level and attach using two 3" screws into the bottom of the rafter.
3. Locate gable fillers centered on seam and vent opening. Fillers should be flush or below rafter.
4. Fasten using 1-1/2" nails as shown. Be sure to nail the lower panel to the rafters as well. Repeat on opposite side to attach the other two gable fillers.



TRIM

Parts Required:

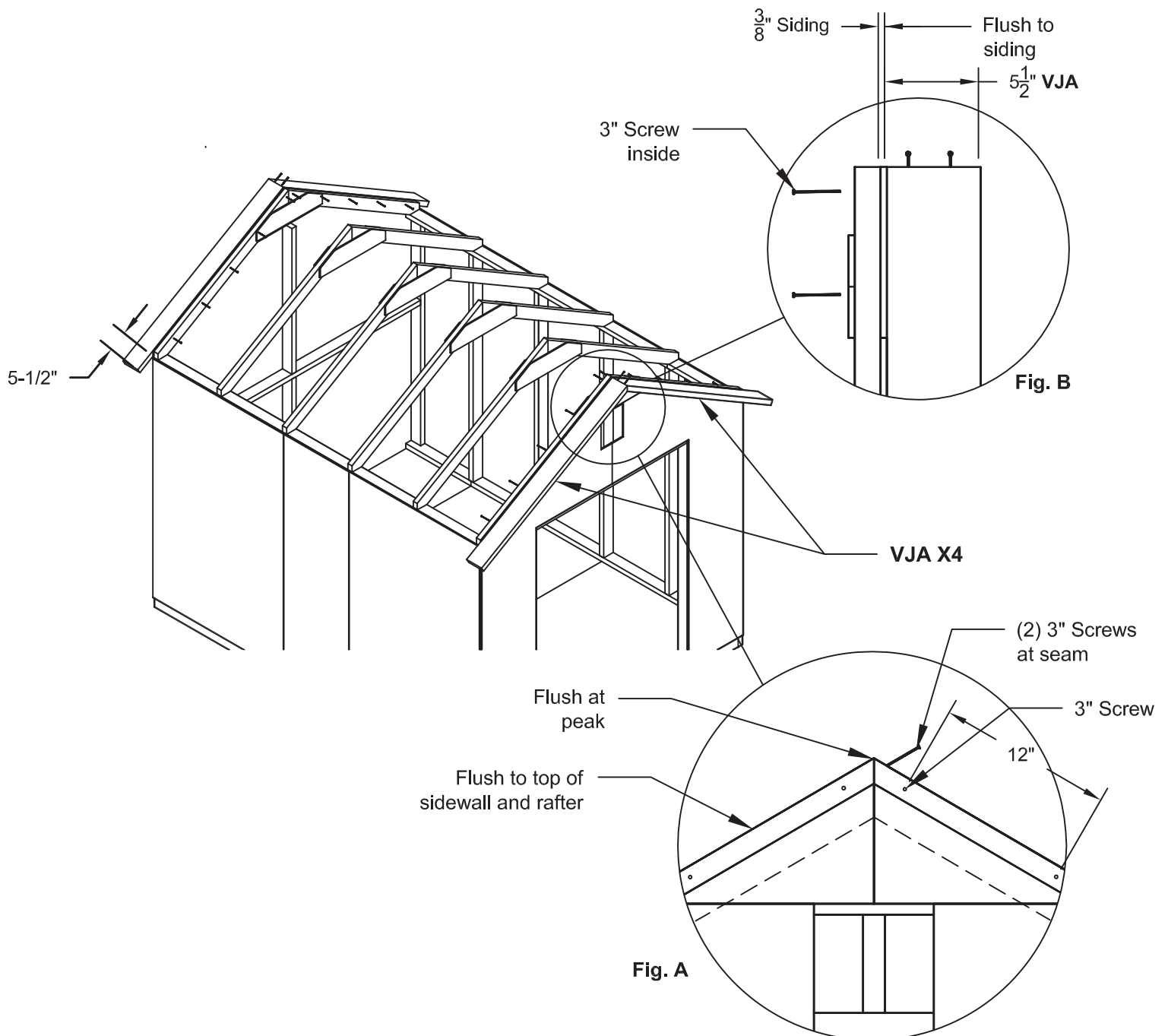
X4 2 x 6 x 61-15/16" **VJA** Angled End

Fasteners Required:

X24 3" Screws

ASSEMBLY STEPS / NOTES:

1. Locate side trim **VJA** against siding - flush at peak - flush to top of siding and rafter (Fig. A). There should be a 5-1/2" overhang at the bottom. From the inside secure **VJA** using 3" screws 12" apart (Fig. B).
2. At the peak use two 3" screw to draw seam tight (Fig. A).
3. Move to the opposite side and repeat to install two more **VJA** side trims.



ROOF

Parts Required:

X1 $\frac{7}{16}$ x 48 x 96"

OSB Panel



Fasteners Required:

X4 2" Nails

ASSEMBLY STEPS / NOTES:

Roof panels may cause serious injury until securely fastened.



1. You must square the roof by attaching one panel first. You will use the panel's long edge as a lever to bring your roof into square. Commonly known as "racking".

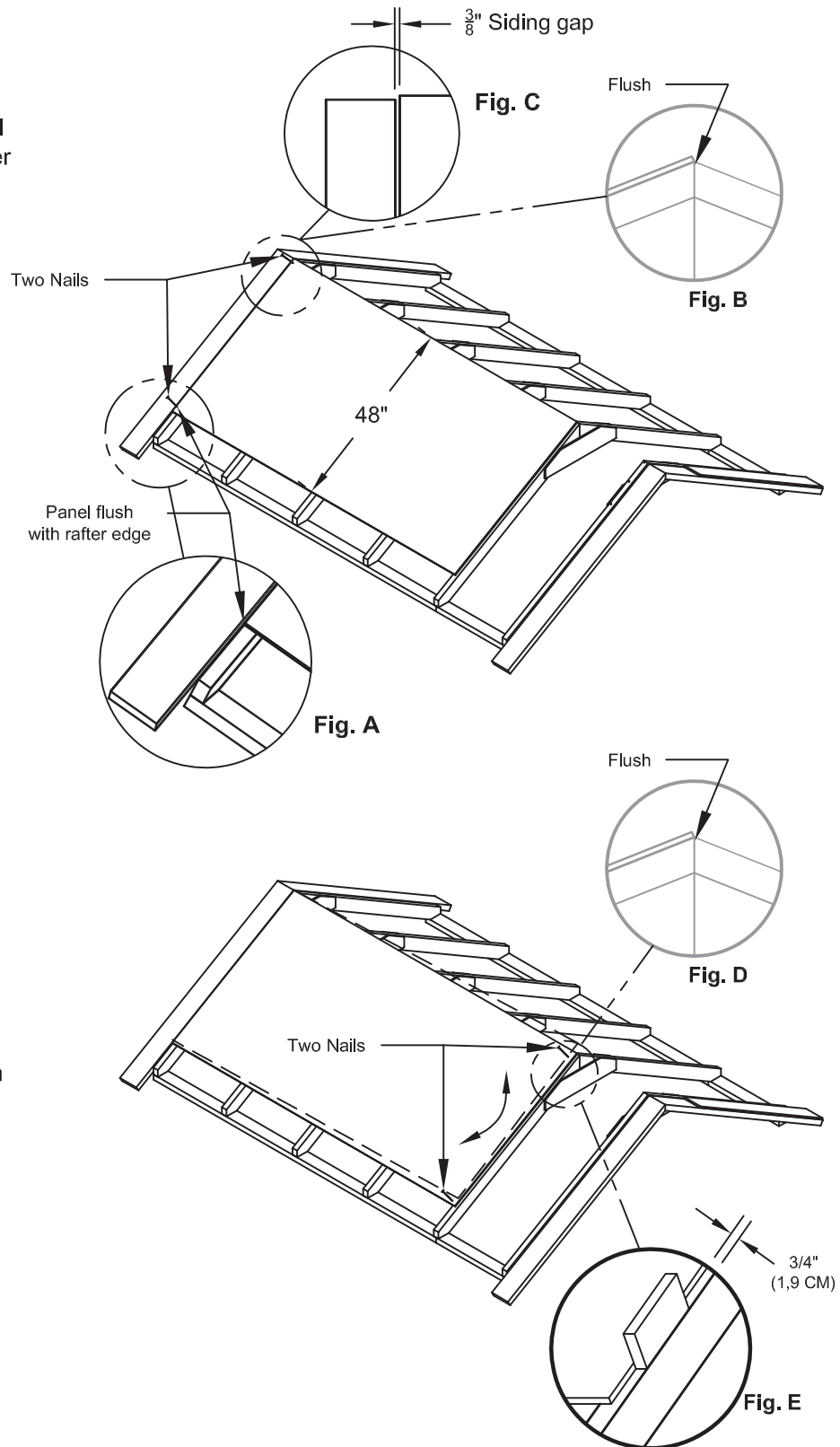
2. Attach the 48 x 96" panel with the rough side up (painted-grid lines side) FLUSH with rafter edge (Fig. A) and flush at the peak (Fig. B).

There will be a $\frac{3}{8}$ " siding gap between the panel and gable trim (Fig. C).

Secure panel with two 2" nails in the corners.


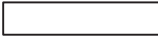

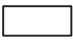
3. Move to the opposite end. Using the long edge of the panel as a lever move the panel side-to-side until the top corner is flush to the peak (Fig. D) and there is $\frac{3}{4}$ " measurement on the rafter (Fig. E).

Secure panel with two 2" nails in the corners.



ROOF

Parts Required:

X1	7/16 x 48 x 96"	OSB Panel	
X2	7/16 x 13-7/8 x 96"	OSB Panel	
X2	7/16 x 29-5/8 x 48"	OSB Panel	
X2	7/16 x 13-7/8 x 29-5/8"	OSB Panel	

Fasteners Required:

X130 2" Nails



ASSEMBLY STEPS / NOTES:

Roof panels may cause serious injury until securely fastened.



- Keep spacing between the center of the rafters at the lower edge of the panel and secure with one 2" nail into each rafter (Fig. E).

Move to the top of the panel and keep spacing between the center of the rafters. Secure with one 2" nail into each rafter (Fig. E).

Nail the roof panel using 2" nails 6" apart on edges and 12" apart inside panel.

Attach the 13-7/8 x 96" lower roof panel flush to first panel along edge and with the 3/4" measurement (Fig. F).

- Attach one upper 13-7/8 x 29-5/8" roof panel flush to the installed panel (Fig. G) and flush at peak (Fig. H).

 **The end panels overhang the rafters and there is a 1/4" reveal of the 2x6 trim (Fig. J).**

Nail the roof panels using 2" nails 6" apart.

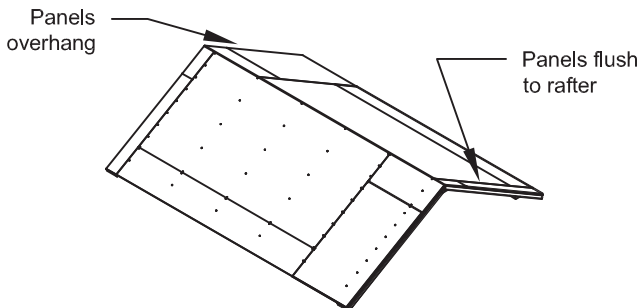
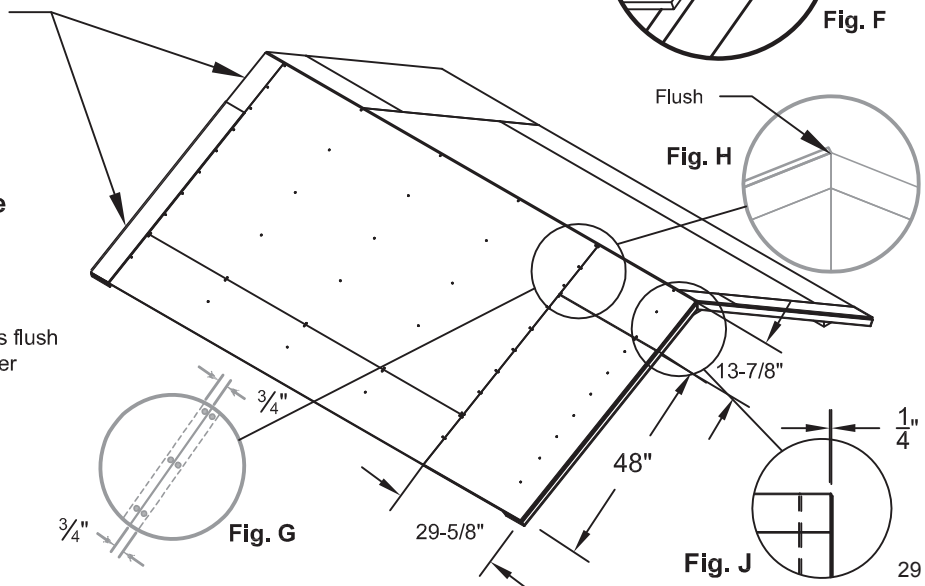
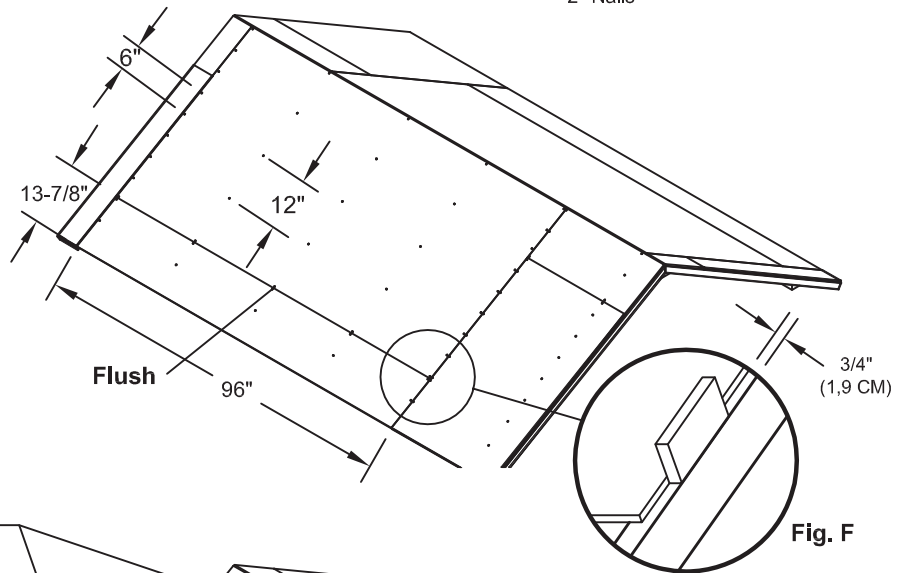
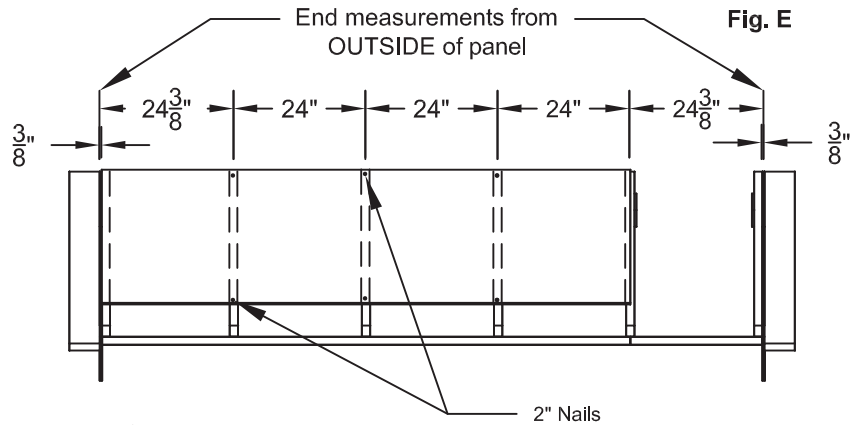
- Attach the lower 29-5/8 x 48" roof panel flush to the center panels (Fig. G) and upper panel.

Nail the roof panel using 2" nails 6" apart.

Note: You will install these last two roof panels later.

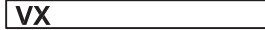

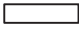

Start on the other end and repeat process to install roof panels on the opposite side.

!! Remember - panels flush to rafter at one end and overhang at other end!!



TRIM & ROOF DECK

Parts Required:

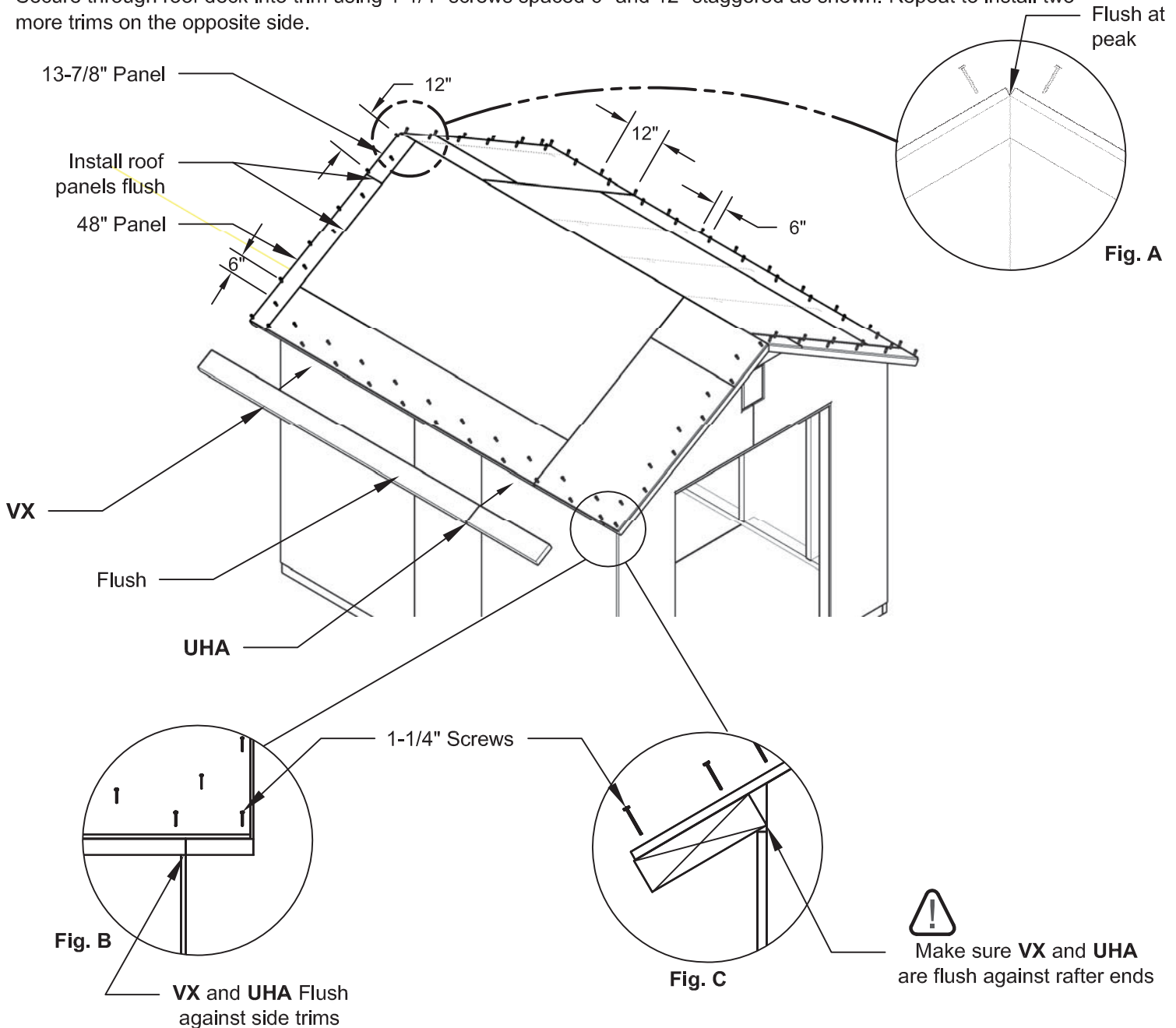
X2	2 x 6 x 96"	VX	
X2	2 x 6 x 24-3/4"	UHA	
X2	7/16 x 5-5/8 x 48"	OSB Panel	
X2	7/16 x 5-5/8 x 13-7/8"	OSB Panel	

Fasteners Required:

X86 1-1/4" Screws

ASSEMBLY STEPS / NOTES:

1. Install the 5-5/8 x 13-7/8" panel at top flush to peak (Fig. A) and flush to panel next to it. Secure with 1-1/4" screws into gable trim.
2. Install the 5-5/8 x 48" panel flush to the 5-5/8 x 13-7/8" panel and flush to panel next to it. Secure with 1-1/4" screws into gable trim.
3. Move to the opposite side and repeat process to install two more roof panels.
4. Locate trim **VX** and **UHA** between side trims (Fig. B) and under roof deck flush against **RAFTER ENDS** (Fig C). Secure through roof deck into trim using 1-1/4" screws spaced 6" and 12" staggered as shown. Repeat to install two more trims on the opposite side.



COLLAR TIES

Parts Required:

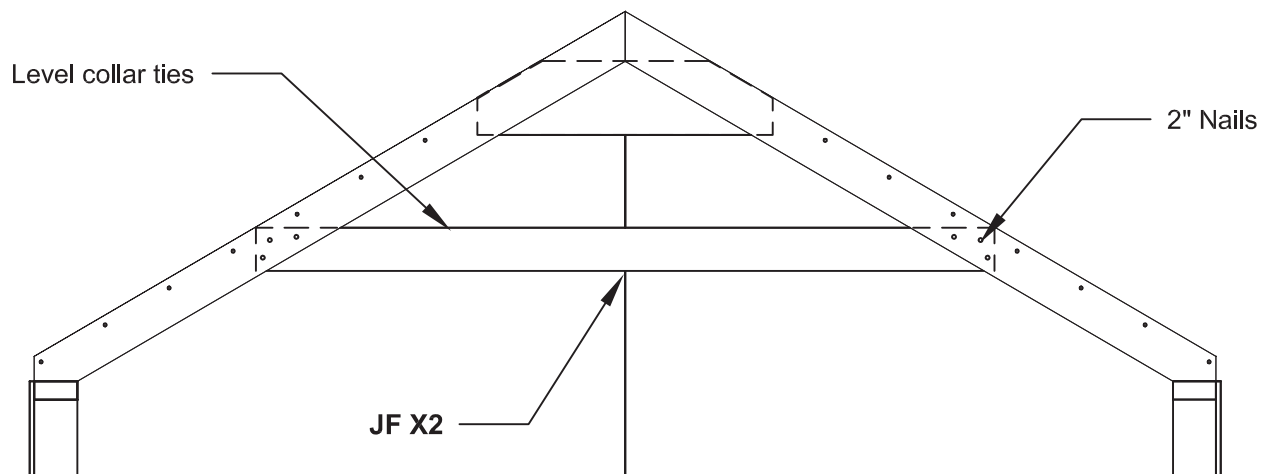
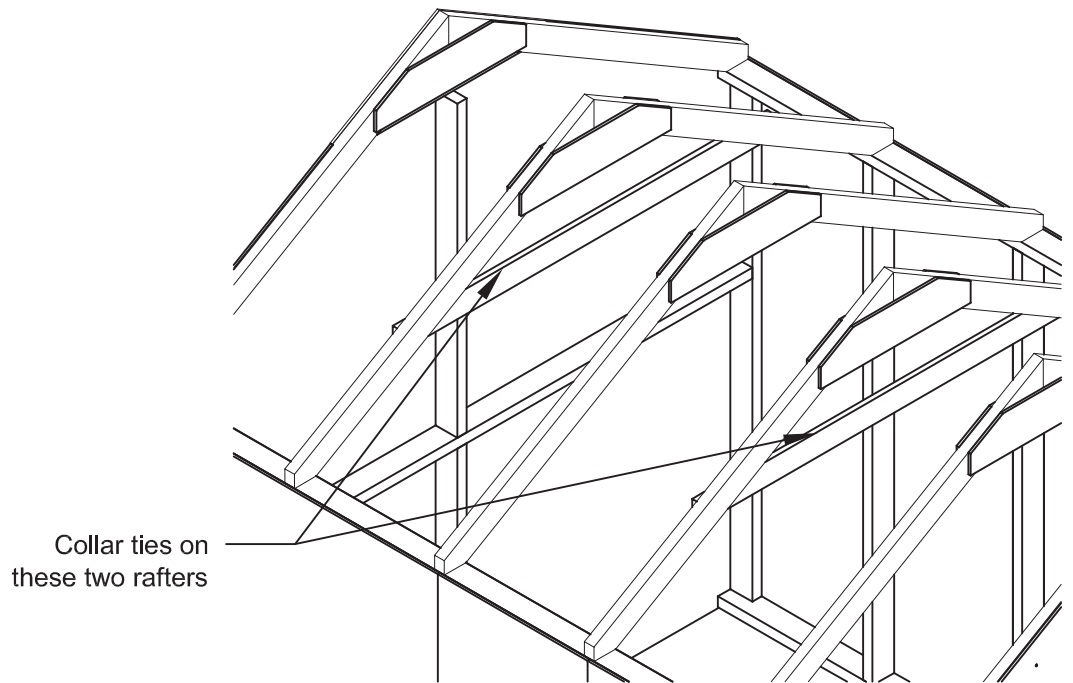
X2 1 x 4 x 60" JF

Fasteners Required:

X12 2" Nails

ASSEMBLY STEPS / NOTES:

1. Locate collar ties on the two rafters shown
2. Level and then nail using three 2" nails on each side.

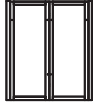


DOORS

Parts Required:

X1 Right Door

X1 Left Door



X1 2 x 3 x 69"

OO



Fasteners Required:

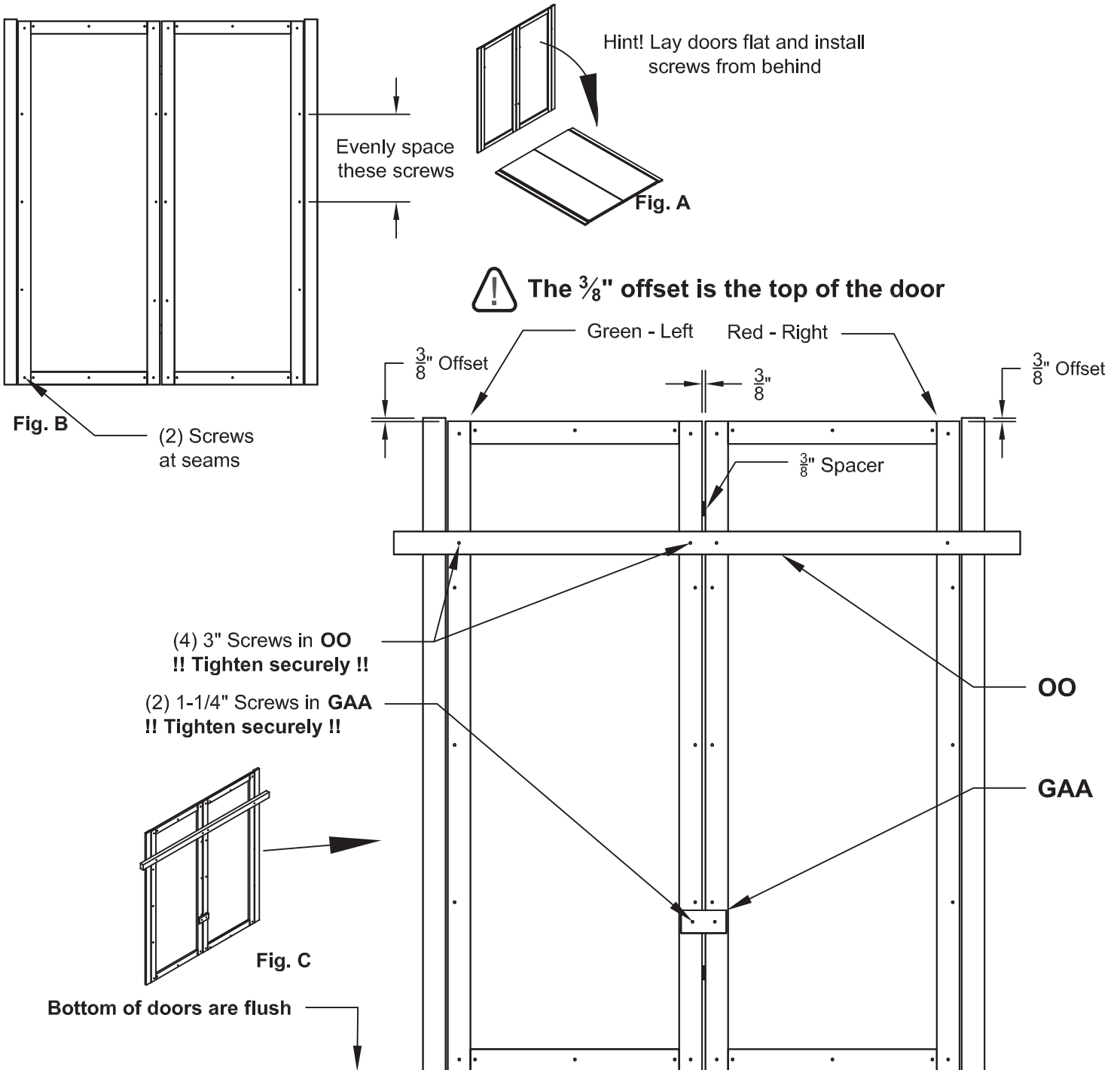
X4 3" Screws

X2 1-1/4" Screws

X32 3/4" Screws



ASSEMBLY STEPS / NOTES:

1. Reinforce the doors using $\frac{3}{4}$ " screws from behind the door into the trim. Hint - lay doors flat (Fig. A) for easier screw installation. Install screws to the pattern shown (Fig B).
2. Flip doors back over and orient the doors together so the $\frac{3}{8}$ " offset is to the same side (Top of door) as shown. Look for GREEN for LEFT door and RED for the RIGHT door. The bottom edges of the doors are flush.
3. Screw on temporary supports across the door trim (Fig C). Use **OO** and **GAA** and tighten screws securely.



DOORS

Parts Required:

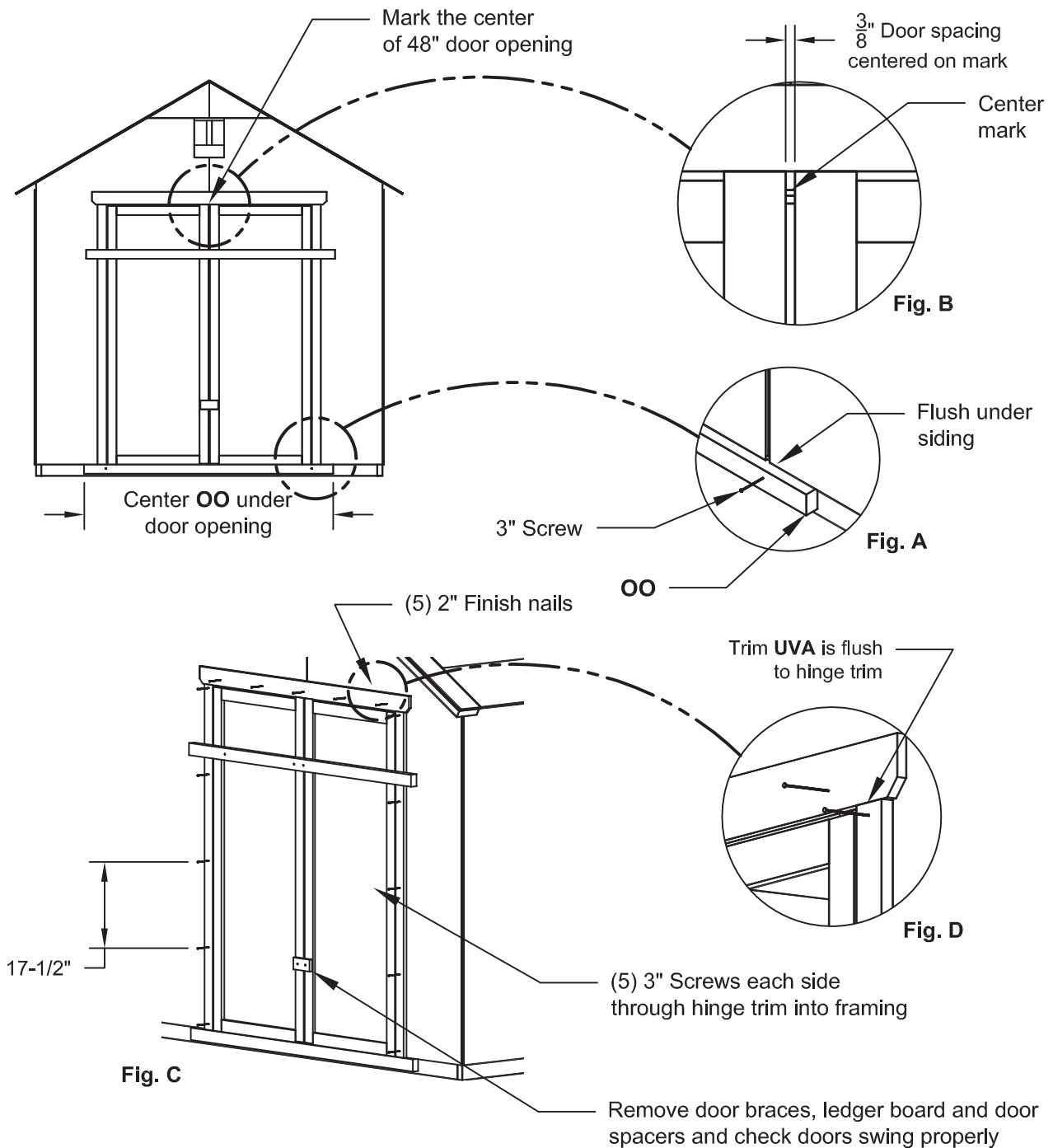
X1	$1\frac{9}{32}$ x 3-1/2 x 65"	UVA	
X1	2 x 3 x 69"	OO	
X1	Door Assembly		

Fasteners Required:

X5	2" Finish Nails
X10	3" Screws

ASSEMBLY STEPS / NOTES:

1. Mark the center of the 56" door opening. Then install **OO** flush under siding using two 3" screws (Fig. A). The doors will rest on **OO** for easier installation
2. Place the door assembly on **OO** with the $\frac{3}{8}$ " gap centered on the mark (Fig. B). Screw hinge boards into wall framing using 3" screws spaced evenly as shown (Fig. C). **!! Make sure screws go into framing !!**
3. Locate trim **UVA** centered over doors flush to hinge trim. Secure using five 2" finish nails (Fig. D).
4. Remove the door braces, ledger board and door spacers. Check the doors swing properly.



DOORS

Parts Required:

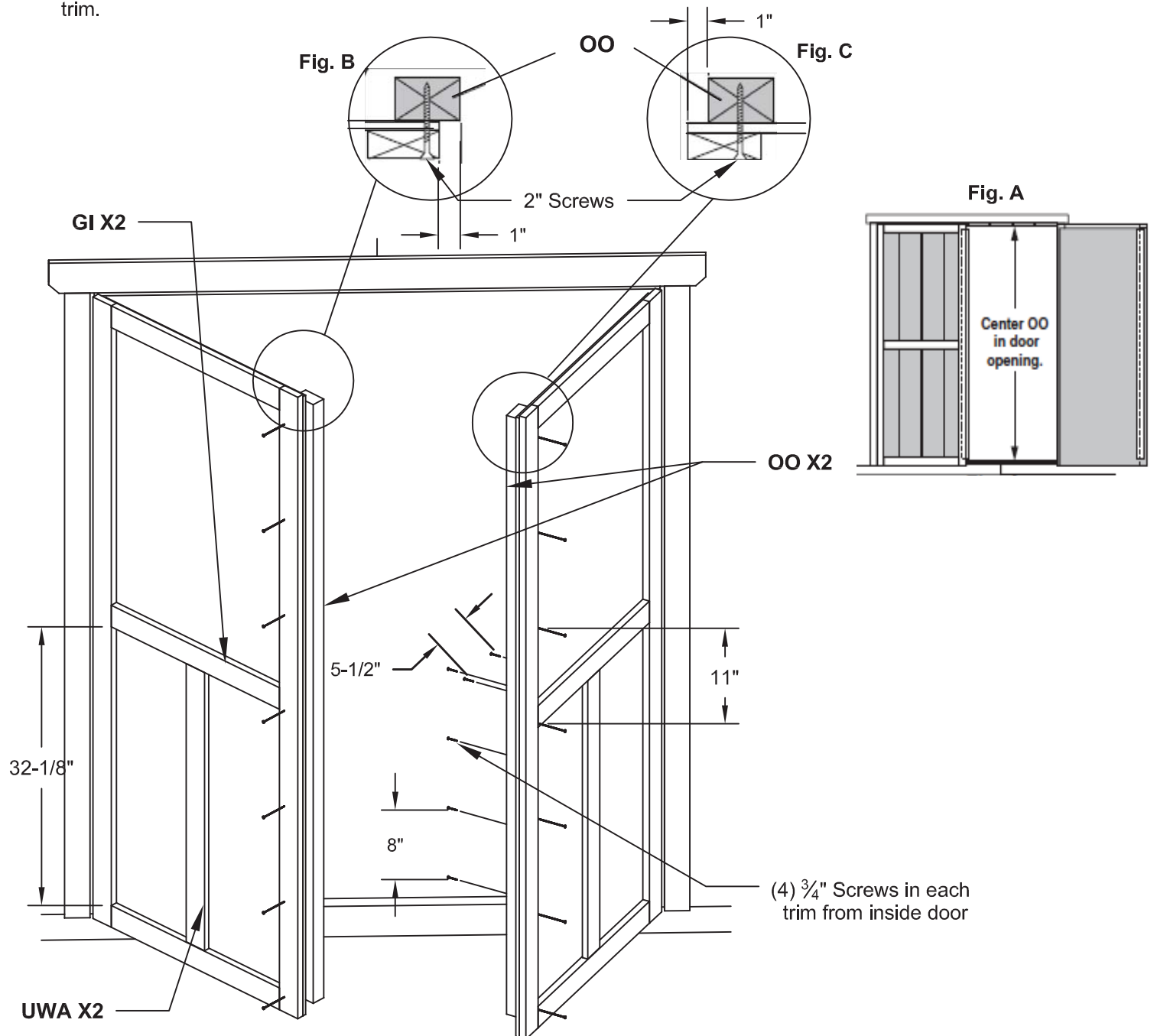
X2	2 x 3 x 69"	OO	
X2	1 9/32 x 3 x 32"	UWA	
X2	1 9/32 x 3 x 23"	GI	

Fasteners Required:

X14	2" Screws
X16	3/4" Screws

ASSEMBLY STEPS / NOTES:

1. With left door closed, center a weatherstrip **OO** vertically on the left door in the door opening (Fig. A). **OO** will offset the left door 1" **OUT** past the door (Fig. B). Secure **OO** using seven 2" screws through outside trim into **OO**.
2. On the right door center **OO** vertically in door opening (Fig. A). **OO** will offset the right door 1" **IN** from the door trim (Fig. C). Secure **OO** using seven 2" screws through outside.
3. Center **UWA** vertically between door trim. Install from behind the door using (4) 3/4" screws.
4. Locate **GI** on top of **UWA** and between door trims as shown. Install trim **GI** from behind door using (4) 3/4" screws in each trim.



DOORS

Parts Required:

- X2 Spring Loaded Bolts w/Screws
- X1 Door Handle

Fasteners Required:

- X8 1" Screws
- X2 1-1/2" Screws

ASSEMBLY STEPS / NOTES:

1. Place upper bolt onto **OO** in open position with bolt end $\frac{3}{8}$ " down from frame. Bolt is open when loop is contacting base (Fig. A). Mark and pre-drill holes.
2. Install bolt with screws supplied and drill a $\frac{5}{16}$ " hole for bolt to extend into (Fig. A).
3. Place lower bolt onto **OO** in open position with bolt end $\frac{1}{2}$ " up from floor. Bolt is open when loop is contacting base. (Fig.B). Mark and pre-drill holes for screws.
4. Install bolt with screws supplied and drill a $\frac{5}{16}$ " hole for bolt to extend into (Fig. B)
5. Measure up $35\text{-}\frac{3}{4}$ " and drill a $\frac{1}{4}$ " hole thru door and part **OO** (Fig. C). Re-drill the hole larger with a $\frac{1}{2}$ " drill. Be careful to avoid breaking thru **OO**. Attach handle with screws supplied. (Fig. D).

Fig. A

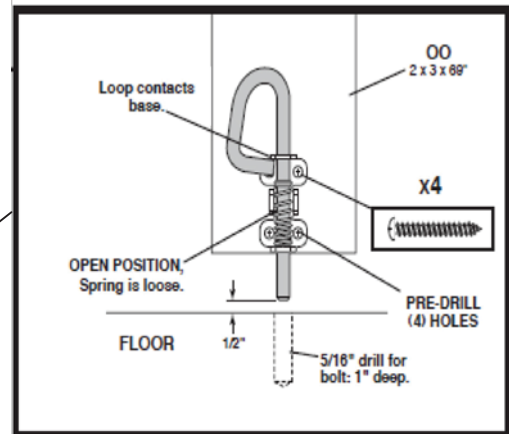
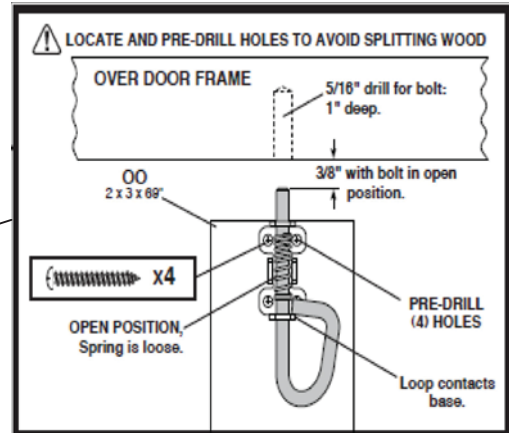
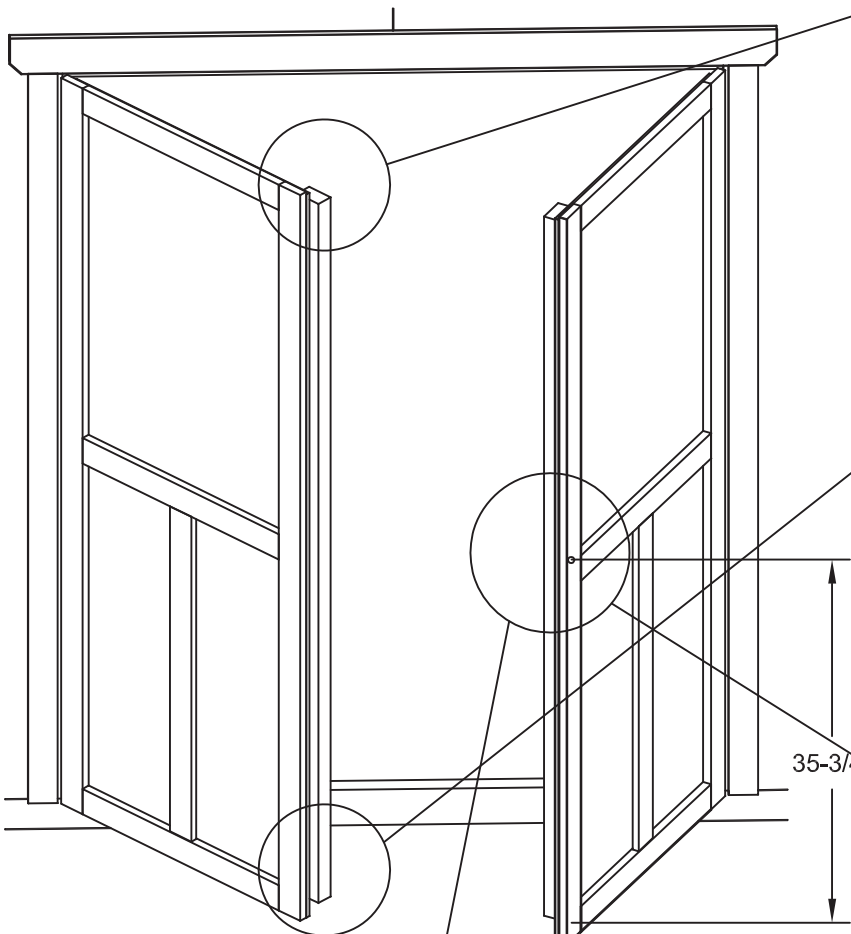


Fig. B



 Keep drill square to avoid breaking through

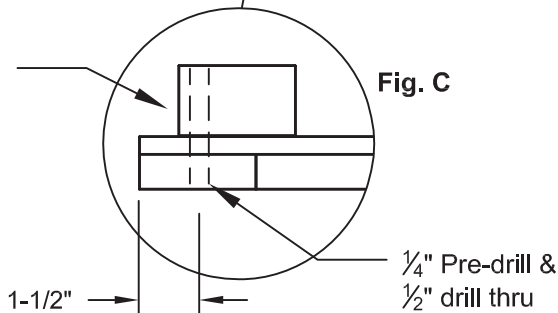


Fig. C

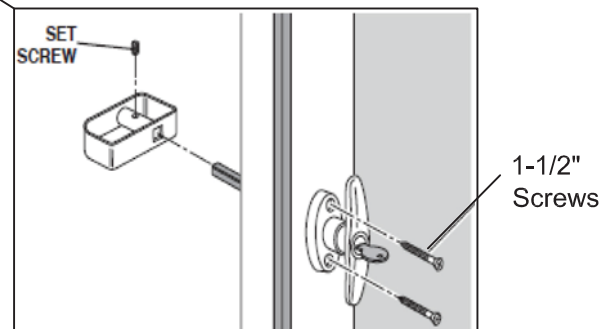


Fig. D

TRIM

Parts Required:

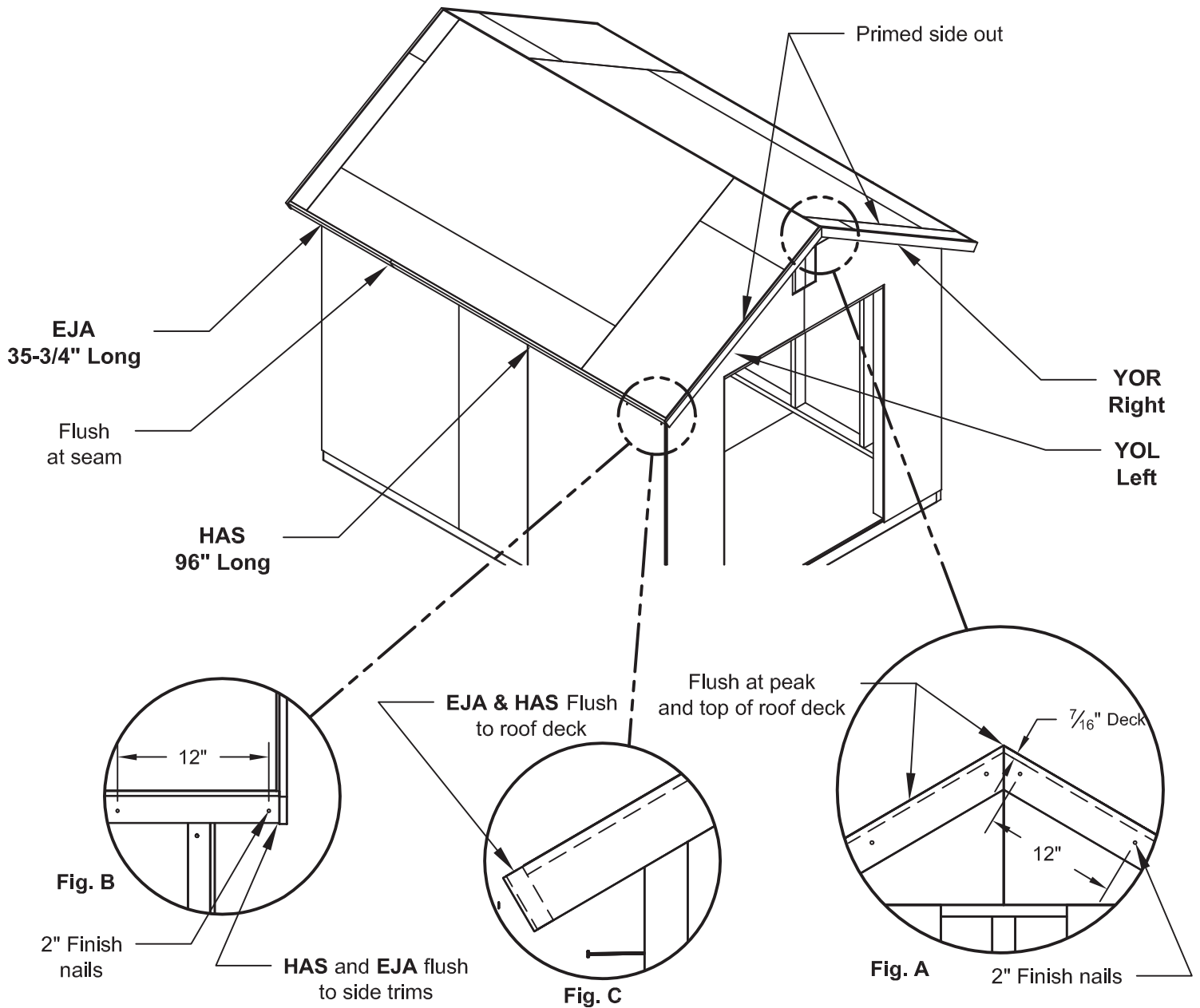
X2	$1\frac{9}{32} \times 3 \times 63-1/16"$	YOR
X2	$1\frac{9}{32} \times 3 \times 63-1/16"$	YOL
X2	$1\frac{9}{32} \times 3 \times 96"$	HAS
X2	$1\frac{9}{32} \times 3 \times 35-3/4"$	EJA

Fasteners Required:

X48 2" Finish Nails



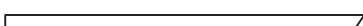
ASSEMBLY STEPS / NOTES:

1. Locate trims **YOR** and **YOL** with the primed side out flush at peak and flush to roof deck. (Fig. A). Secure with 2" finish nails 12" apart (Fig. A). Move to the opposite side and repeat to install two more front and back trim pieces.
2. Locate trim **EJA** and **HAS** between front and back roof trims (Fig. B) and flush to roof deck (Fig C). Secure with 2" finish nails. 12" apart (Fig. B). Move to the other side and repeat to install two more trim pieces.



TRIM

Parts Required:

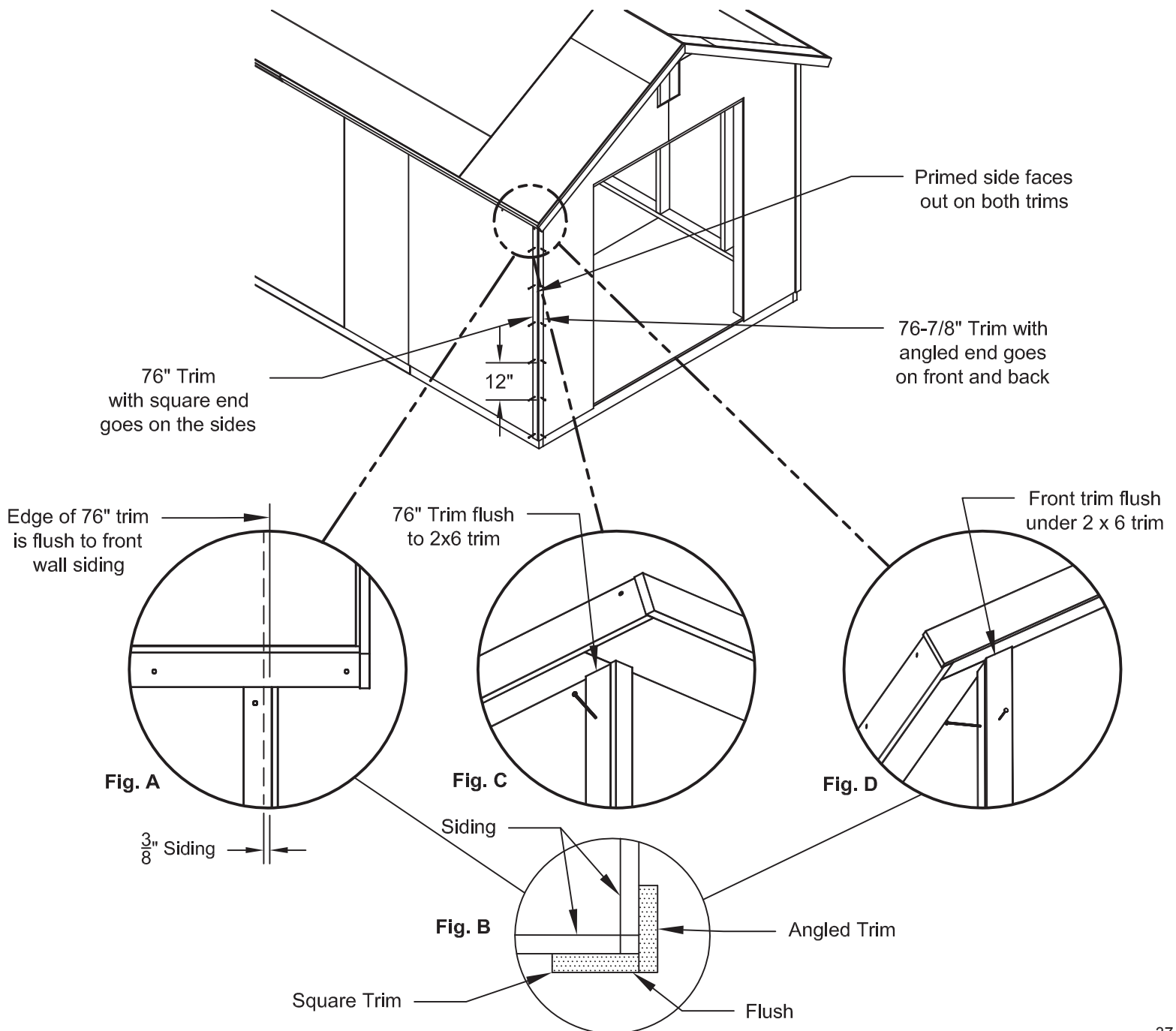
X4	$\frac{3}{8}$ x 1-3/4 x 76"	
X2	$\frac{3}{8}$ x 1-3/4 x 76-7/8"	
X2	$\frac{3}{8}$ x 1-3/4 x 76-7/8"	

Fasteners Required:

X48 2" Finish Nails

ASSEMBLY STEPS / NOTES:

1. Locate 76" trim on side wall flush to front wall siding (Fig A, B) and flush under 2x6 trim (Fig. C) with primed side facing out. Install using 2" finish nails 12" apart.
2. Locate 76-7/8" trim with angled end flush to side 76" trim and flush under 2x6 trim (Fig. B, D) with primed side facing out. Install using 2" finish nails 12" apart.
3. Repeat process at other corners to install all trim pieces.



VENT

Parts Required:

X1 Gable Vent
Exterior Grade Caulk

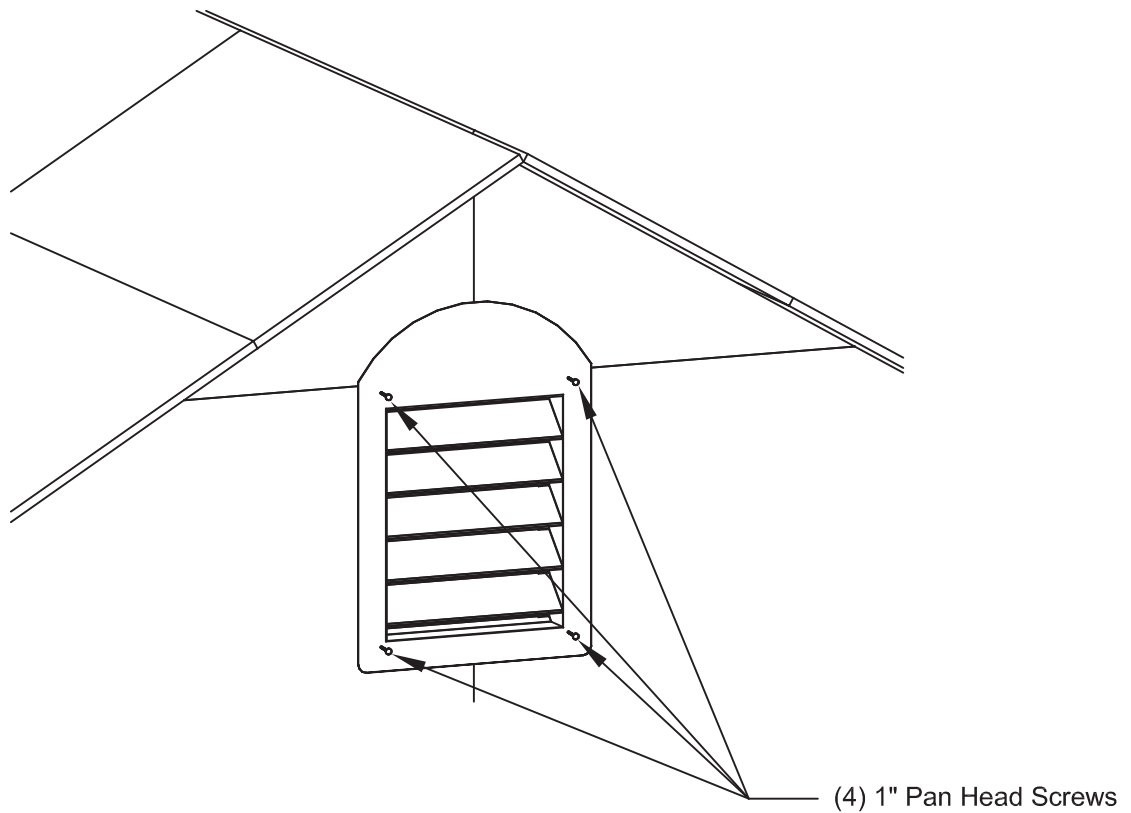
Fasteners Required:

X4 1" Pan Head Screws

ASSEMBLY STEPS / NOTES:

1. Caulk back of vent then locate vent in opening flush against siding.
2. Insert (4) 1" Pan Head Screws through the holes in the corners of the vent into the side of the shed.

!!Note: Must paint vents to validate warranty!! For best results use spray paint.



PAINT & CAULK

- NOT INCLUDED -



- Use acrylic caulk that is paintable. Caulk at all horizontal and vertical seams, between the trim and walls, and all around the door trim.
- Use a high quality exterior acrylic latex paint. When painting your building, there are a few key areas that can be easily overlooked that must be painted:
 - Bottom edge of all siding and trim
 - Inside of doors and all 4 edges

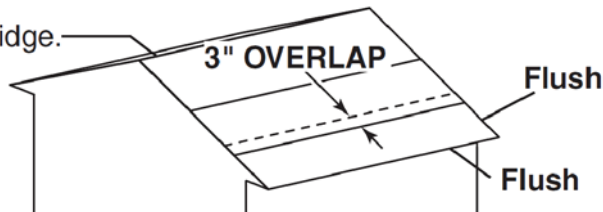
Note: Prime all in-primed exterior wood before painting. (Follow directions provided by manufacturer.)

ROOF FELT

- NOT INCLUDED -

- Install felt flush to all roof edges overlapping 3". Use minimal amount of roofing nails to hold in place.

OK to overlap at ridge.

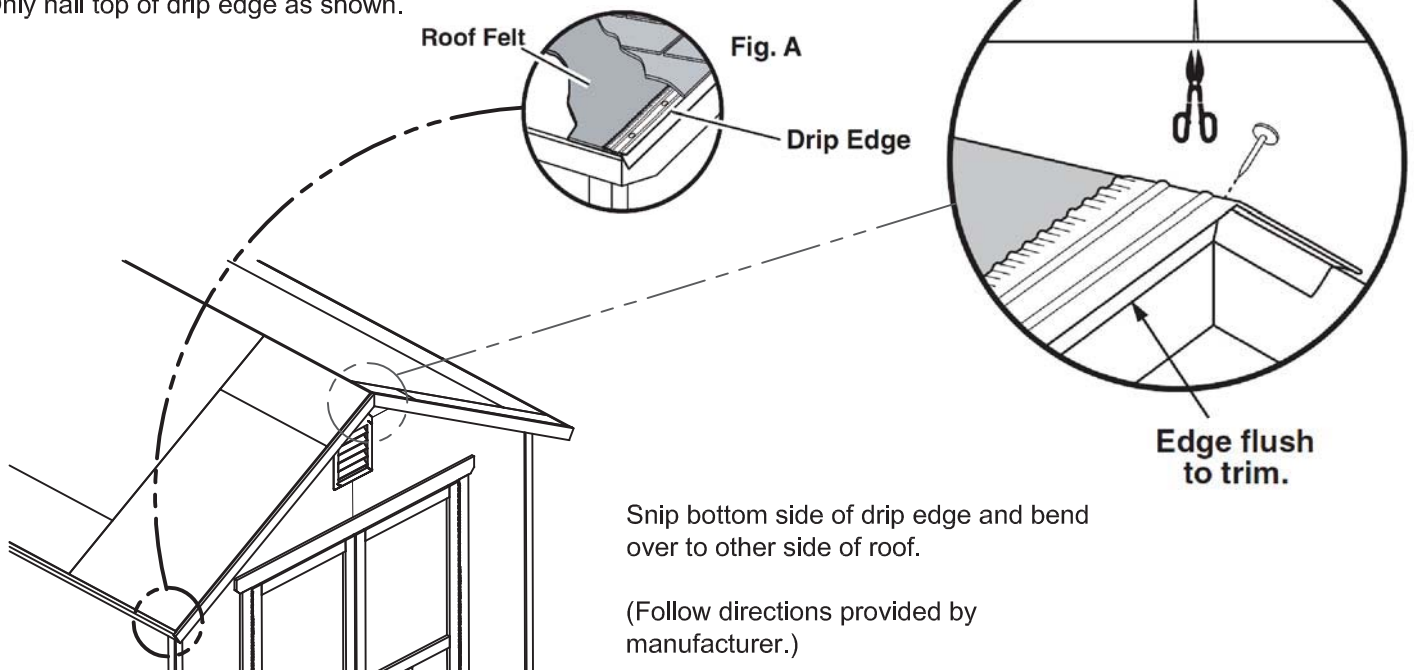


DRIP EDGE

- NOT INCLUDED -



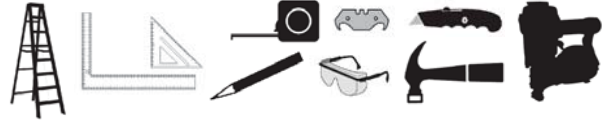
- Install over roof on gable side (**Fig. A**).
- Do not use nails on side of drip edge that hangs over side of building.
- Only nail top of drip edge as shown.



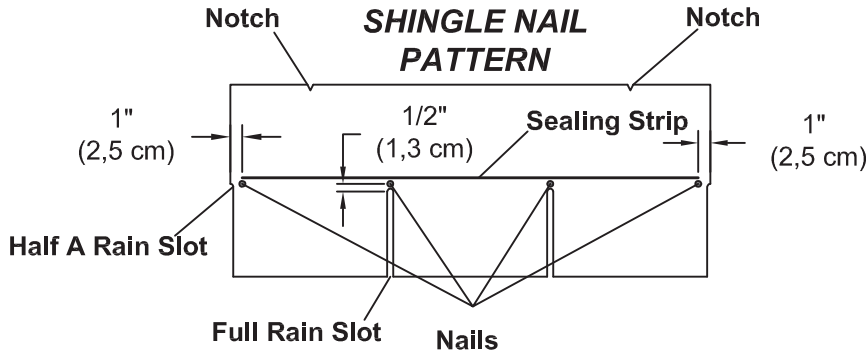
SHINGLES

- NOT INCLUDED -

- Follow directions provided by manufacturer and these instructions.



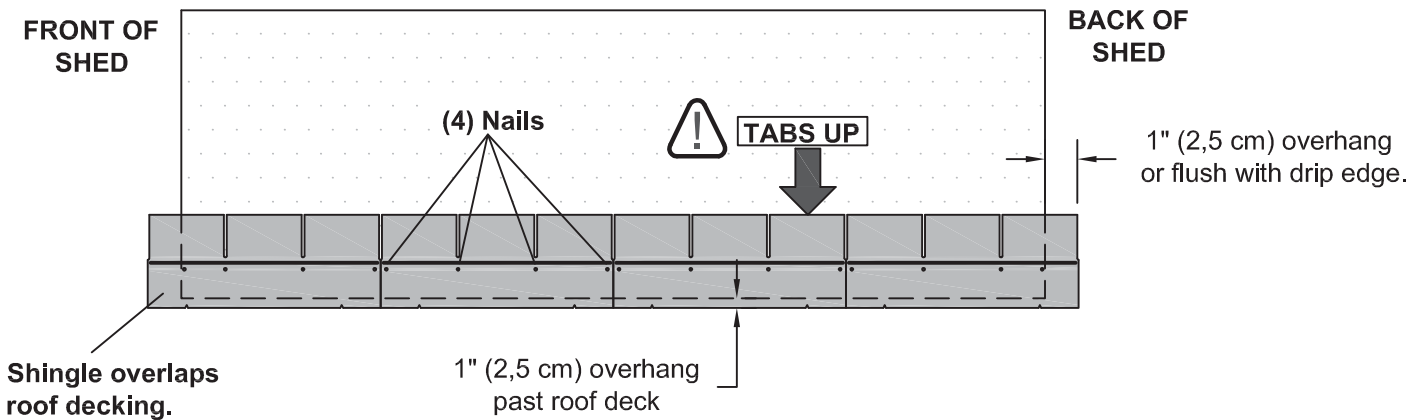
! Familiarize yourself with a 3-Tab Shingle.



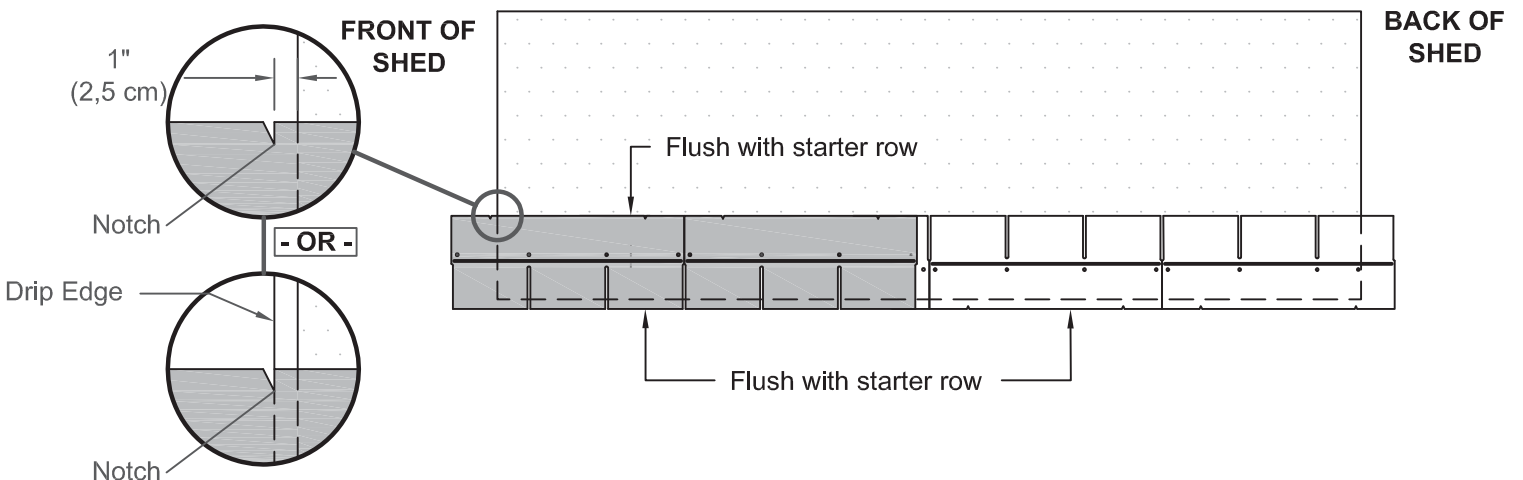
! NEVER DRIVE FASTENERS INTO OR ABOVE SEALING STRIPS.

✓ BEGIN

- Install first starter row upside down and color up with a 1" overhang at back and bottom of roof panel. Use (4) nails per shingle. **Starter row must be straight and level all the way across with lower edge of roof deck.**
NOTE: If you have installed drip edge install shingles flush with drip edge.



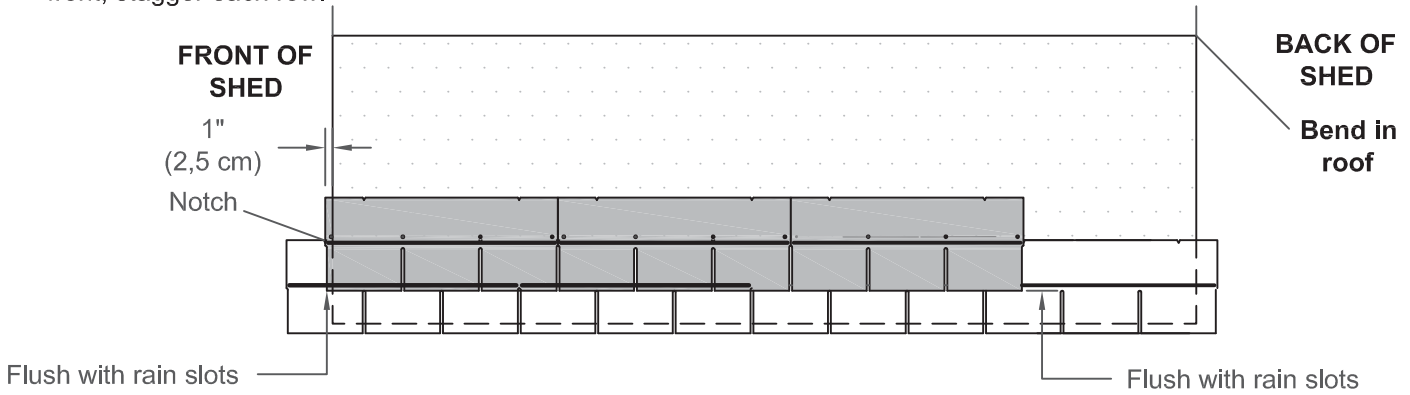
- Beginning at front of shed, install first row of shingles with notch at 1" past roof edge or flush with drip edge.



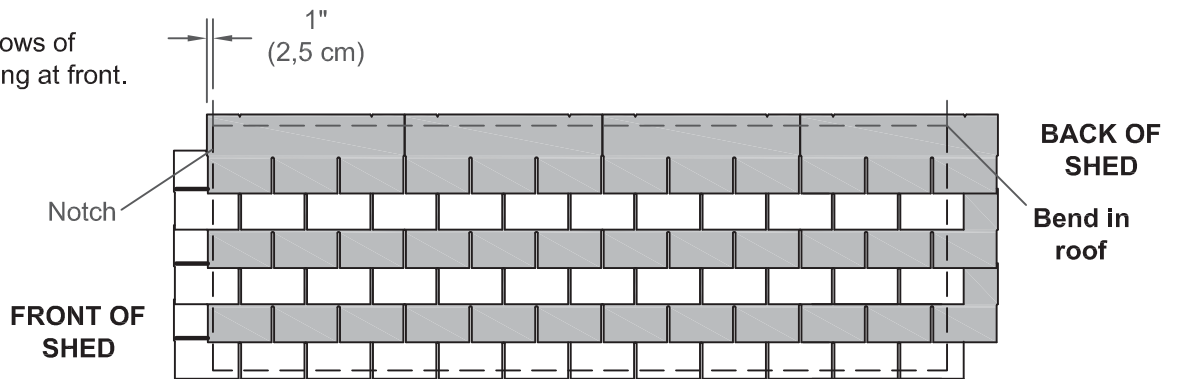
SHINGLES

continued...

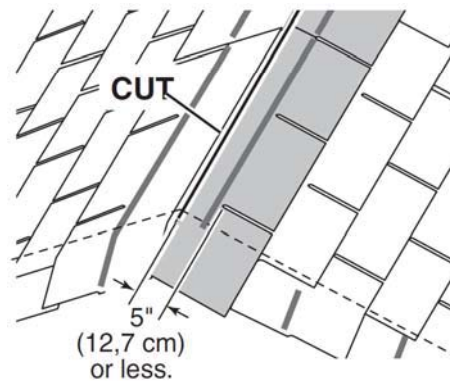
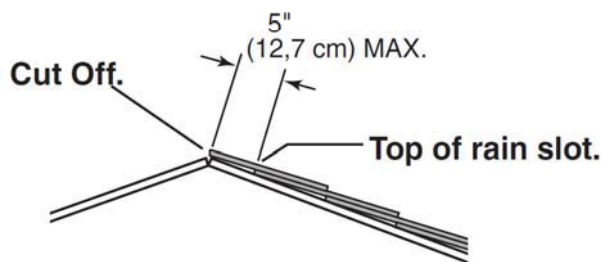
3. Install second row of shingles flush at top of first row's rain slots. Ensure 1" overhang or flush to drip edge at front, stagger each row.



4. Continue installing rows of shingles by staggering at front.



5. Continue installing rows of shingles to the peak. At the peak make sure there is a maximum of 5" or less to the rain slot, as shown below. If shingles overlap at ridge cut to peak with a utility knife.

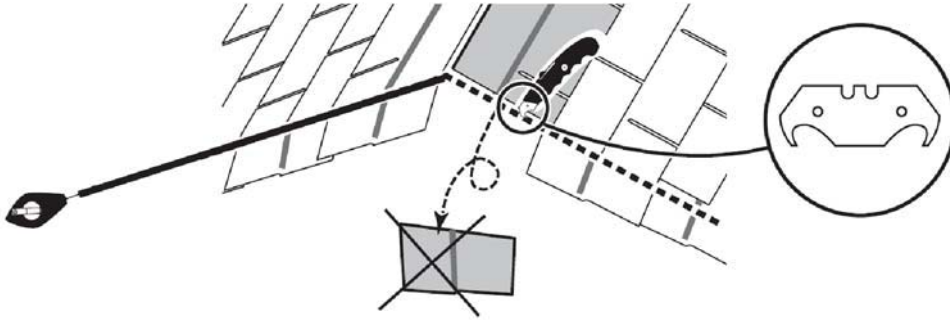


- If more than 5" to rain slot you must install another row of shingles.

SHINGLES

continued...

6. Repeat steps 1 - 7 to shingle the opposite side of your roof. Trim shingles at ridge.
7. Once both sides are shingled you need to trim ends. Strike a chalk line 1" from the edge.
8. Using your shingle hooked blade carefully cut along the chalk line.



9. You have finished shingling your roof. Proceed to capping the ridge.

SHINGLES - RIDGE CAP

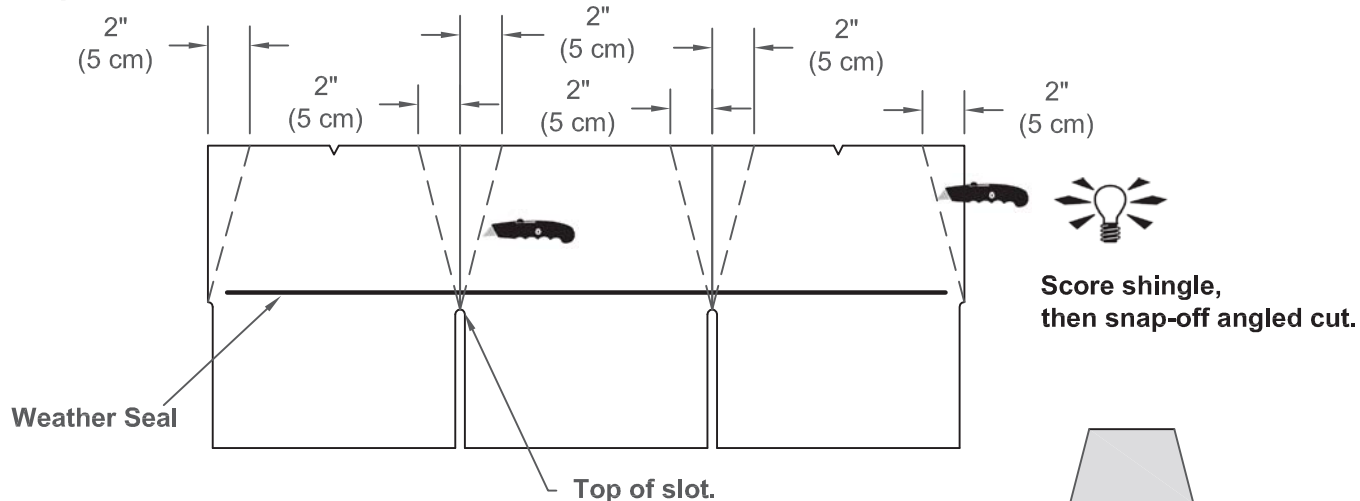
- You will finish off the top of the roof with a ridge cap made from shingles.



✓ BEGIN

1. Cut shingles into THREE pieces.

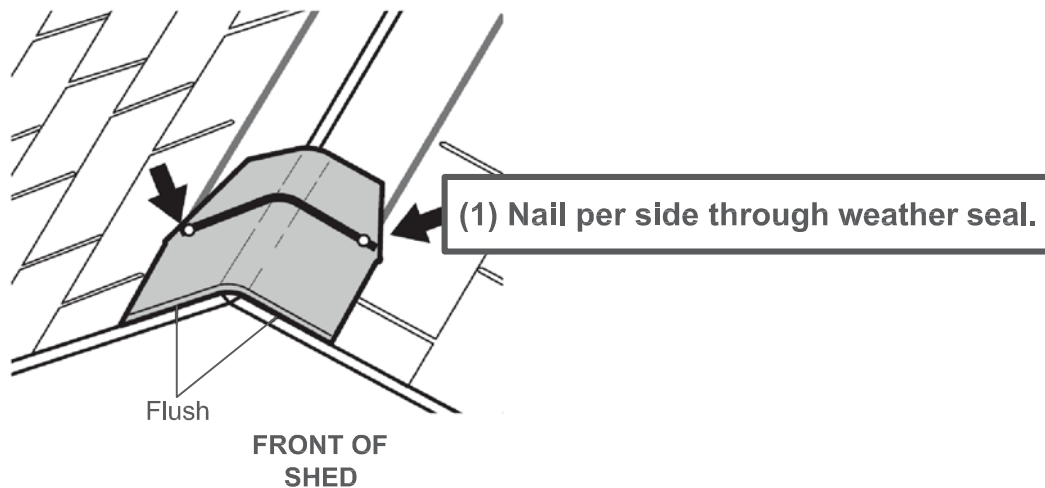
Hint: Use cut-off pieces first.



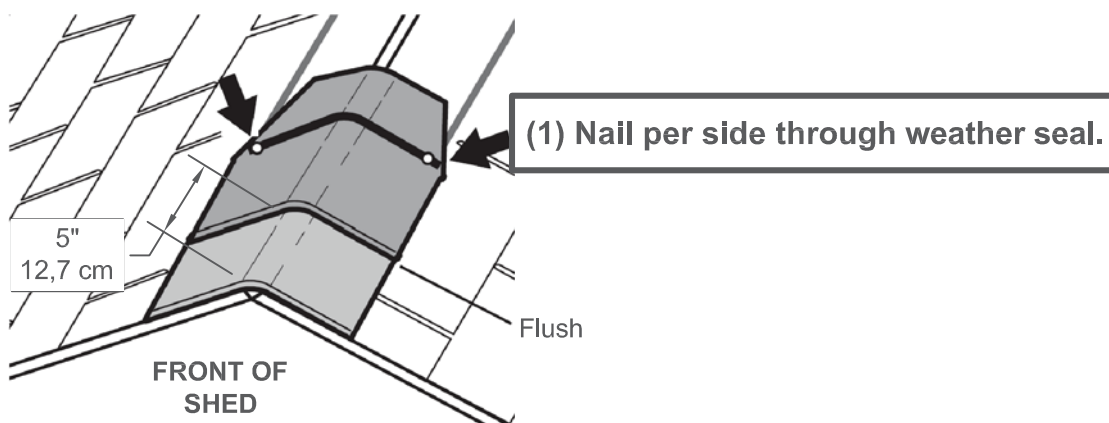
Note: You will need about 20 - 22 cut pieces.



2. Install first ridge cap flush to shingles at front, as shown.



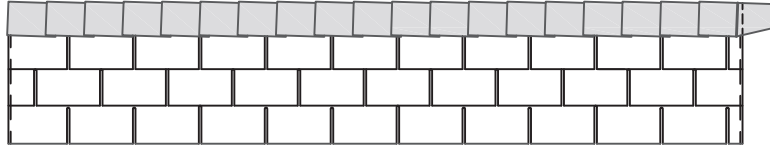
3. Install second ridge cap 5" back as shown.



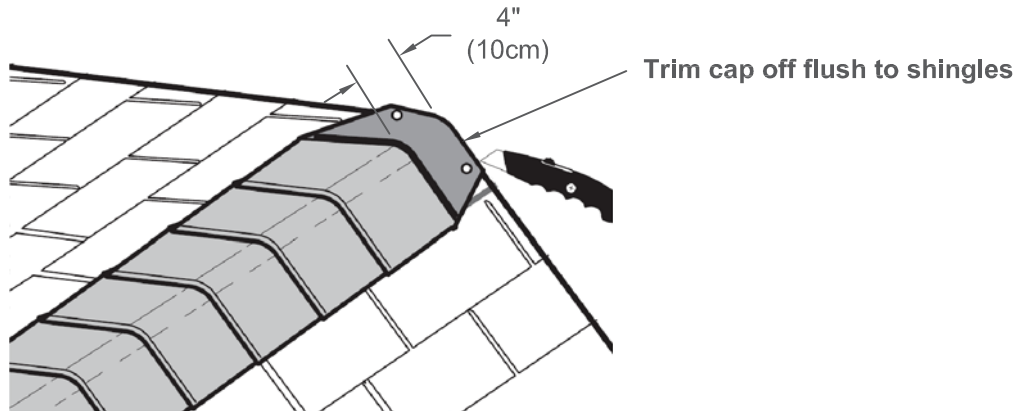
SHINGLES - Ridge Cap

continued...

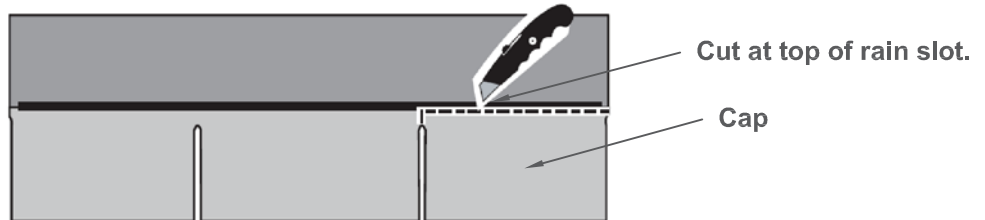
4. Continue installing ridge cap to back of roof.



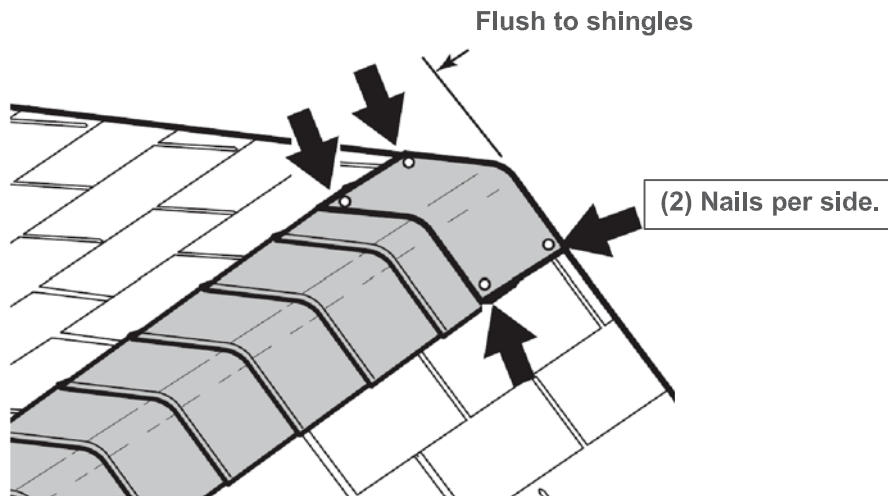
5. Make sure there is 4" between the shingle color and edge of shingles.



6. When you have 4" minimum of shingle color cut one piece to cap your roof.



7. Install flush to shingles.



8. You have finished your ridge cap.