



Heavy-Duty Slides for Industrial applications:
KA 3300 Full extension ball bearing slides

Technik für Möbel


Hettich

Full extension ball bearing slide

- ▶ KA 3320 / Load capacity up to 500 lbs. (227 kg)
- ▶ 3/4" (19 mm) installation width



- ▶ Precision ball bearings
- ▶ Non-handed
- ▶ Cushioned in and out stops for noise absorption
- ▶ Non-disconnect
- ▶ Load Rating up to 500 lbs (227 kg)/pair, see table below
- ▶ Travel full extension
- ▶ Side Space 3/4" (19 mm)
- ▶ Lengths available in even lengths 10"-36", 40", 42", 44", 48", 60" (254-914 mm, 1016 mm, 1067 mm, 1118 mm, 1219 mm, 1524 mm)
Special lengths available upon request
- ▶ Pre-galvanized
- ▶ Optional finishes available upon request:
black e-coat, white powdercoat. Minimum order quantities apply
- ▶ RoHS compliant
- ▶ Made in USA

Description	Length inch / mm		Min. cabinet depth inch / mm		Load capacity				Distributor Pack Order No. (polybag / no screws)	PU	Bulk Pack Order No.	PU
					Full Travel		Full Travel					
					75,000 cycles		10,000 cycles					
					lbs	kg	lbs	kg				
KA 3320 10"	10	254	10.25	260	325	147	500	227	-	-	9 018 548	5 sets
KA 3320 12"	12	305	12.25	311	325	147	500	227	9 018 549	5 sets	9 018 550	5 sets
KA 3320 14"	14	356	14.25	362	325	147	500	227	9 018 551	5 sets	9 018 552	5 sets
KA 3320 16"	16	406	16.25	413	325	147	500	227	9 018 553	5 sets	9 018 554	5 sets
KA 3320 18"	18	457	18.25	463	325	147	500	227	9 018 555	5 sets	9 018 556	5 sets
KA 3320 20"	20	508	20.25	514	300	136	460	209	9 018 557	5 sets	9 018 558	5 sets
KA 3320 22"	22	559	22.25	565	280	127	430	195	9 018 559	5 sets	9 018 560	5 sets
KA 3320 24"	24	610	24.25	616	268	122	410	186	9 018 561	5 sets	9 018 562	5 sets
KA 3320 26"	26	660	26.25	667	260	118	400	181	9 018 563	5 sets	9 018 564	5 sets
KA 3320 28"	28	711	28.25	718	254	115	390	177	9 018 565	5 sets	9 018 566	5 sets
KA 3320 30"	30	762	30.25	768	247	112	380	172	9 018 567	5 sets	9 018 568	5 sets
KA 3320 32"	32	813	32.25	819	240	109	370	168	9 018 569	5 sets	9 018 570	3 sets
KA 3320 34"	34	863	34.25	870	234	106	360	163	9 018 571	5 sets	9 018 572	3 sets
KA 3320 36"	36	914	36.25	921	226	103	348	158	9 018 573	5 sets	9 018 574	3 sets
KA 3320 40"	40	1016	40.25	1022	210	95	320	145	-	-	9 018 575	3 sets
KA 3320 42"	42	1067	42.25	1073	200	91	310	141	-	-	9 018 576	3 sets
KA 3320 44"	44	1118	44.25	1124	183	83	280	127	-	-	9 018 577	3 sets
KA 3320 48"	48	1219	48.25	1226	183	83	280	127	-	-	9 018 578	3 sets
KA 3320 60"	60	1524	60.25	1530	143	65	220	100	-	-	9 018 579	2 sets

Full extension ball bearing slide

► KA 3320 / Load capacity up to 500 lbs. (227 kg)

► 3/4" (19 mm) installation width

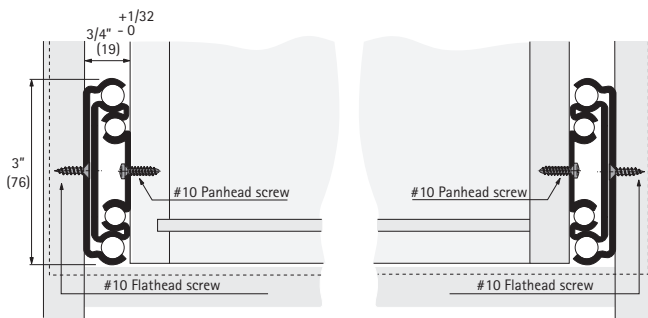
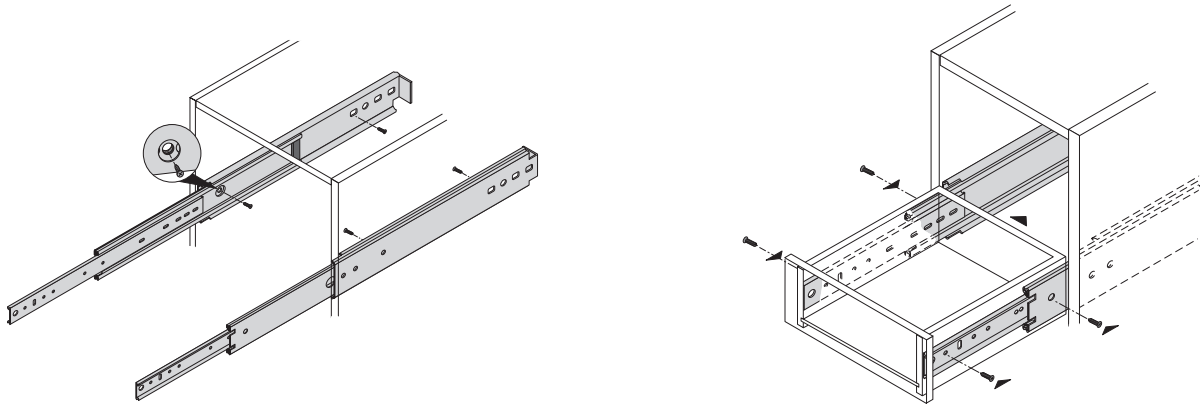
Installation dimensions

UOM	Slide Length	Travel	Drawer Member Mounting Hole Locations									Cabinet Member Mounting Hole Locations						
			L	T	A	B	C	D	E	F	G	H	J	M	N	P	Q	R
inch	10*	10	-	-	-	-	-	-	4 1/16	5 1/16	5 13/16	6 9/16	-	-	-	6	8 1/4	9
mm	254.0	254.0	-	-	-	-	-	-	103.2	128.6	147.6	166.7	-	-	-	152.4	209.6	228.6
inch	12	12	-	-	-	-	-	-	6 1/16	7 1/16	7 13/16	8 9/16	-	-	-	8	10 1/4	11
mm	304.8	304.8	-	-	-	-	-	-	154.0	179.4	198.4	217.5	-	-	-	203.2	260.4	279.4
inch	14	14	-	-	-	-	-	-	8 1/16	9 1/16	9 13/16	10 9/16	-	-	-	10	12 1/4	13
mm	355.6	355.6	-	-	-	-	-	-	204.8	230.2	249.2	268.3	-	-	-	254.0	311.2	330.2
inch	16	16	5	-	-	-	-	-	10 1/16	11 1/16	11 13/16	12 9/16	-	-	-	12	14 1/4	15
mm	406.4	406.4	127.0	-	-	-	-	-	255.6	281.0	300.0	319.1	-	-	-	304.8	362.0	381.0
inch	18	18	5	-	-	-	-	9 9/16	12 1/16	13 1/16	13 13/16	14 9/16	-	-	-	14	16 1/4	17
mm	457.2	457.2	127.0	-	-	-	-	242.9	306.4	331.8	350.8	369.9	-	-	-	355.6	412.8	431.8
inch	20	20	5	7 1/2	-	-	-	11 9/16	14 1/16	15 1/16	15 13/16	16 9/16	-	-	-	16	18 1/4	19
mm	508.0	508.0	127.0	190.5	-	-	-	293.7	357.2	382.6	401.6	420.7	-	-	-	406.4	463.6	482.6
inch	22	22	5	7 1/2	-	-	-	13 9/16	16 1/16	17 1/16	17 13/16	18 9/16	-	-	-	18	20 1/4	21
mm	558.8	558.8	127.0	190.5	-	-	-	344.5	408.0	433.4	452.4	471.5	-	-	-	457.2	514.4	533.4
inch	24	24	5	7 1/2	-	-	-	15 9/16	18 1/16	19 1/16	19 13/16	20 9/16	-	-	-	20	22 1/4	23
mm	609.6	609.6	127.0	190.5	-	-	-	395.3	458.8	484.2	503.2	522.3	-	-	-	508.0	565.2	584.2
inch	26	26	5	7 1/2	-	-	-	17 9/16	20 1/16	21 1/16	21 13/16	22 9/16	-	-	-	22	24 1/4	25
mm	660.4	660.4	127.0	190.5	-	-	-	446.1	509.6	535.0	554.0	573.1	-	-	-	558.8	616.0	635.0
inch	28	28	5	7 1/2	-	-	-	19 9/16	22 1/16	23 1/16	23 13/16	24 9/16	-	-	-	24	26 1/4	27
mm	711.2	711.2	127.0	190.5	-	-	-	496.9	560.4	585.8	604.8	623.9	-	-	-	609.6	666.8	685.8
inch	30	30	5	7 1/2	14 1/2	-	-	21 9/16	24 1/16	25 1/16	25 13/16	26 9/16	9 1/4	-	19 3/4	26	28 1/4	29
mm	762.0	762.0	127.0	190.5	368.3	-	-	547.7	611.2	636.6	655.6	674.7	235.0	-	501.7	660.4	717.6	736.6
inch	32	32	5	7 1/2	14 1/2	-	-	23 9/16	26 1/16	27 1/16	27 13/16	28 9/16	9 1/4	15 1/2	21 3/4	28	30 1/4	31
mm	812.8	812.8	127.0	190.5	368.3	-	-	598.5	662.0	687.4	706.4	725.5	235.0	393.7	552.5	711.2	768.4	787.4
inch	34	34	5	7 1/2	14 1/2	18 1/2	-	25 9/16	28 1/16	29 1/16	29 13/16	30 9/16	9 1/4	16 1/2	23 3/4	30	32 1/4	33
mm	863.6	863.6	127.0	190.5	368.3	469.9	-	649.3	712.8	738.2	757.2	776.3	235.0	419.1	603.3	762.0	819.2	838.2
inch	36	36	5	7 1/2	14 1/2	20 1/2	-	27 9/16	30 1/16	31 1/16	31 13/16	32 9/16	9 1/4	17 1/2	25 3/4	32	34 1/4	35
mm	914.4	914.4	127.0	190.5	368.3	520.7	-	700.1	763.6	789.0	808.0	827.1	235.0	444.5	654.1	812.8	870.0	889.0
inch	40	40	5	7 1/2	14 1/2	24 1/2	-	31 9/16	34 1/16	35 1/16	35 13/16	36 9/16	9 1/4	19 1/2	29 3/4	36	38 1/4	39
mm	1016.0	1016.0	127.0	190.5	368.3	622.3	-	801.7	865.2	890.6	909.6	928.7	235.0	495.3	755.7	914.4	971.6	990.6
inch	42	42	5	7 1/2	14 1/2	28 1/2	-	33 9/16	36 1/16	37 1/16	37 13/16	38 9/16	9 1/4	21 1/2	31 3/4	38	40 1/4	41
mm	1066.8	1066.8	127.0	190.5	368.3	723.9	-	852.5	916.0	941.4	960.4	979.5	235.0	546.1	806.5	965.2	1022.4	1041.4
inch	44	44	5	7 1/2	14 1/2	28 1/2	-	35 9/16	38 1/16	39 1/16	39 13/16	40 9/16	9 1/4	21 1/2	33 3/4	40	42 1/4	43
mm	1117.6	1117.6	127.0	190.5	368.3	723.9	-	903.3	966.8	992.2	1011.2	1030.3	235.0	546.1	857.3	1016	1073.2	1092.2
inch	48	48	5	7 1/2	14 1/2	30 1/16	-	39 9/16	42 1/16	43 1/16	43 13/16	44 9/16	16	-	31	44	46 1/4	47
mm	1219.2	1219.2	127.0	190.5	368.3	763.6	-	1004.9	1068.4	1093.8	1112.8	1131.9	406.4	-	787.4	1117.6	1174.8	1193.8
inch	60	60	Note: For 60" hole pattern please contact Customer Service or Technical Department.															
mm	1524	1524																

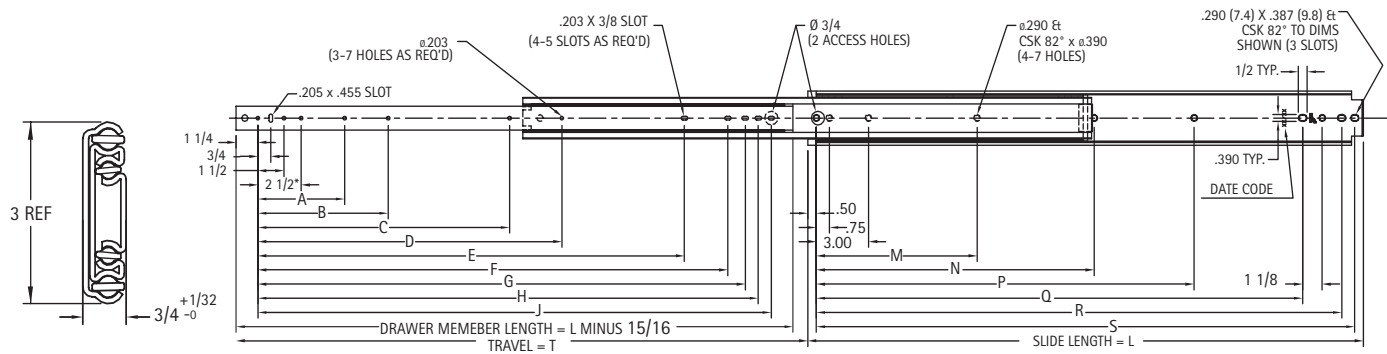
Full extension ball bearing slide

- ▶ KA 3320 / Load capacity up to 500 lbs. (227 kg)
- ▶ 3/4" (19 mm) installation width

Assembly



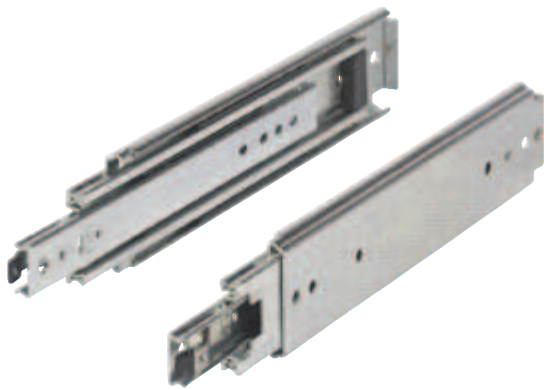
*NOTE: 10" drawer member does not have a hole at 2 1/2"



NOTES:
 Unless otherwise specified dimensions are in inches
 Request Engineering drawing for specified tolerances

Full extension ball bearing slide, Lock-in function with Release latch

- ▶ KA 3328 / Load capacity up to 500 lbs. (227 kg)
- ▶ 3/4" (19 mm) installation width



- ▶ Lock-in function with Release latch
- ▶ Precision ball bearings
- ▶ Non-handed
- ▶ Cushioned in and out stops for noise absorption
- ▶ Non-disconnect
- ▶ Load Rating up to 500 lbs (227 kg)/pair, See table below
- ▶ Travel Full extension
- ▶ Side Space 3/4" (19 mm)
- ▶ Lengths available in even lengths 12"-36" (305-914 mm)
Special lengths available upon request
- ▶ Pre-galvanized
- ▶ RoHS compliant
- ▶ Made in USA

Description	Slide Length inch / mm		Min. cabinet depth inch / mm		Load capacity				Bulk Pack Order No.	PU
					Full Travel		Full Travel			
					75,000 cycles		10,000 cycles			
					lbs	kg	lbs	kg		
KA 3328 12"	12	305	12.25	311	325	147	500	227	9 018 600	5 sets
KA 3328 14"	14	356	14.25	362	325	147	500	227	9 018 601	5 sets
KA 3328 16"	16	406	16.25	413	325	147	500	227	9 018 602	5 sets
KA 3328 18"	18	457	18.25	463	325	147	500	227	9 018 603	5 sets
KA 3328 20"	20	508	20.25	514	300	136	460	209	9 018 604	5 sets
KA 3328 22"	22	559	22.25	565	280	127	430	195	9 018 605	5 sets
KA 3328 24"	24	610	24.25	616	268	122	410	186	9 018 606	5 sets
KA 3328 26"	26	660	26.25	667	260	118	400	181	9 018 607	5 sets
KA 3328 28"	28	711	28.25	718	254	115	390	177	9 018 608	5 sets
KA 3328 30"	30	762	30.25	768	247	112	380	172	9 018 609	5 sets
KA 3328 32"	32	813	32.25	819	240	109	370	168	9 018 610	3 sets
KA 3328 34"	34	863	34.25	870	234	106	360	163	9 018 611	3 sets
KA 3328 36"	36	914	36.25	921	226	103	348	158	9 018 612	3 sets