

Wooden Foldable Double Chair Assembly Instruction



A 2pcs



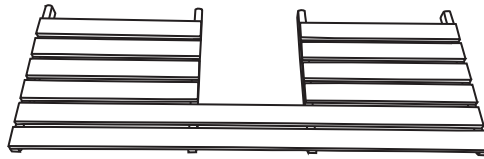
B 2pcs



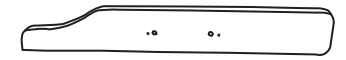
C 2pcs



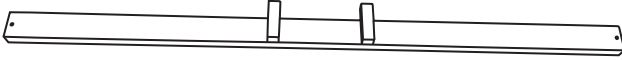
E 2pcs



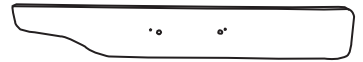
G 1pc



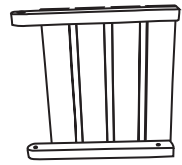
H 1pc



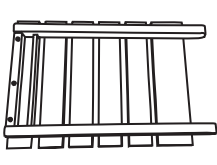
F 1pc



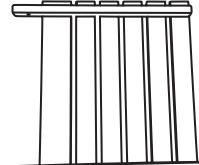
I 1pc



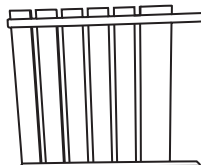
J 1pc



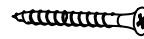
K 1pc



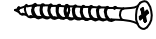
L 1pc



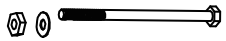
M 1pc



N 3.5x45mm 8pcs



O 3.5x60mm 8pcs



P 6x40mm 8pcs



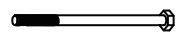
Q 6x60mm 4pcs



R 6x60mm 4pcs



S 6x80mm 2pcs



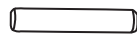
T 6x80mm 4pcs



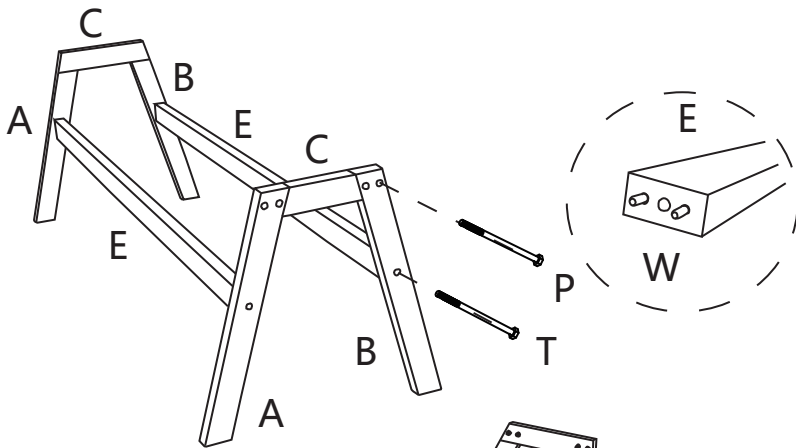
U 6x70mm 4pcs



V M6 2pcs

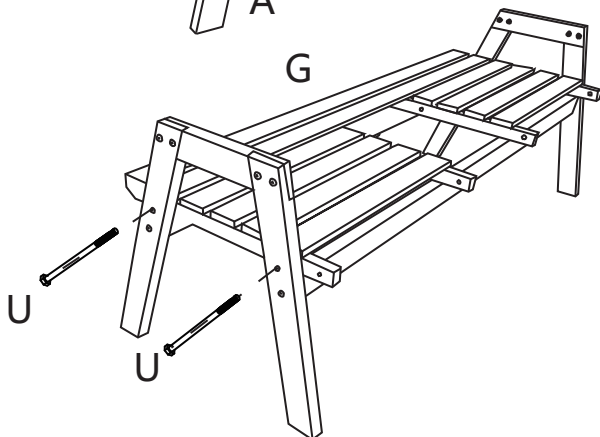
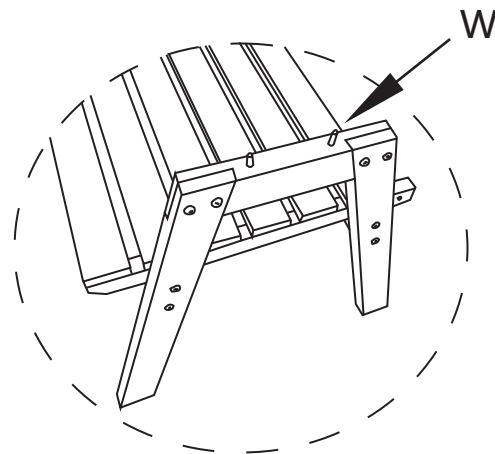


W 6x40mm 14pcs



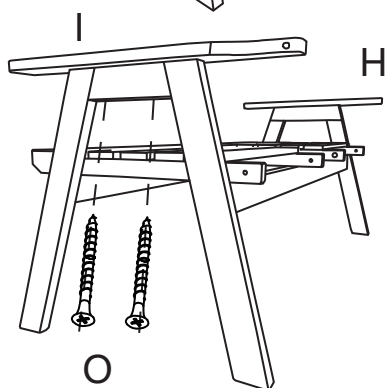
Step 1

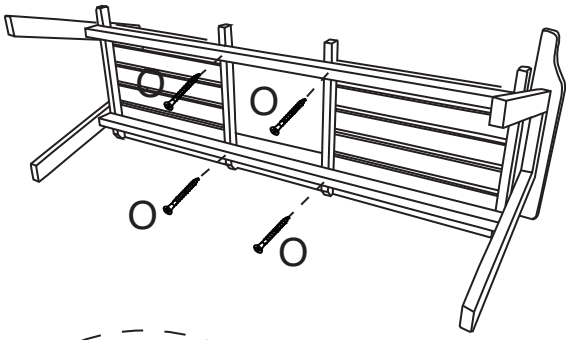
1. use screw P to put parts A, B, C together
2. put part W on E first
3. then use E to contact A, B
4. use screw T to fix E through outside



Step 2

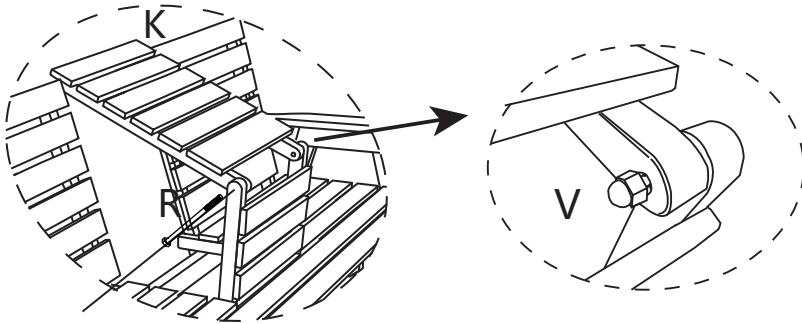
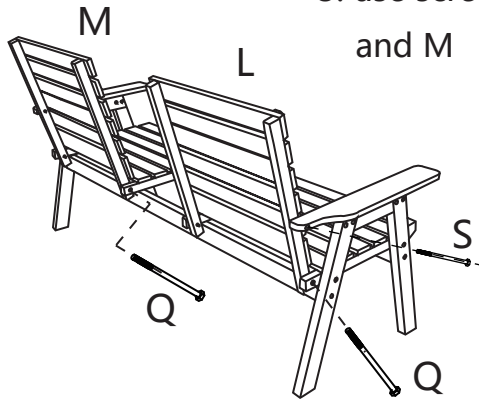
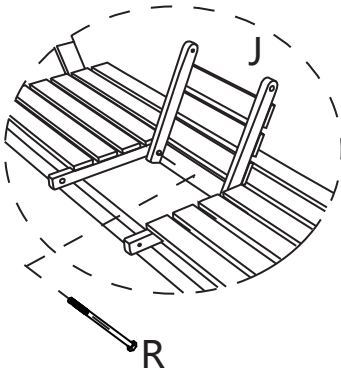
1. assemble part G by screw U, notice the hole position
2. put 2pcs part W first on each side
3. use screw O to assemble Part H and I





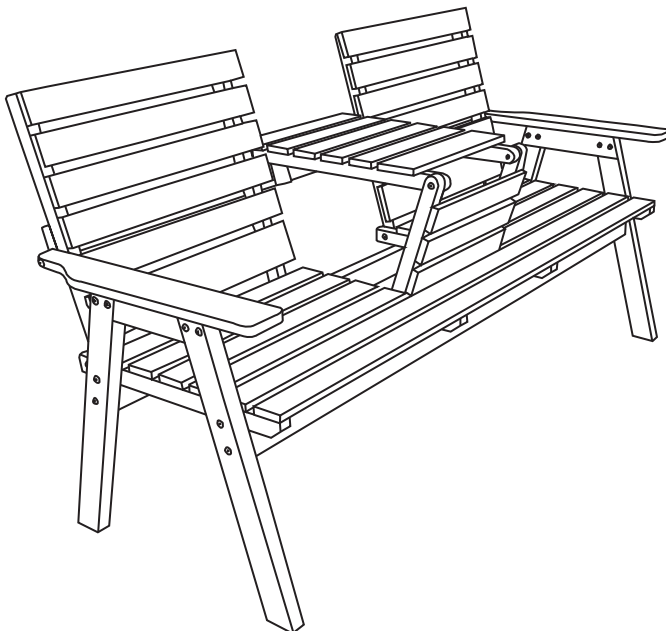
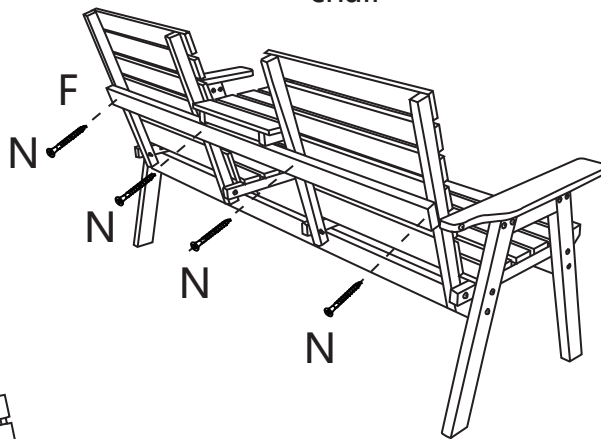
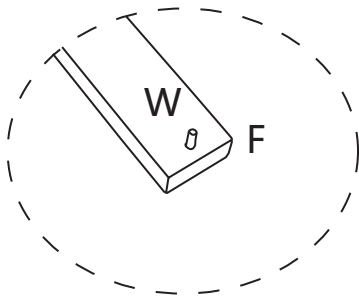
Step 3

1. use screw O to strengthen the seat
2. use screw R to assemble J, note these screws will have two nuts
3. use screw Q and S to assemble back parts L and M



Step 4

1. use screw R to assemble part K
note these screws will use two nuts
2. put part W on part F first
3. then use screw N to fix F on the chair



Done!