



# ZIPPITY

*Easy Does It!*

**NEWPORT**  
VINYL FINISHING  
POST WITH NO-  
DIG STEEL PIPE  
ANCHOR KIT  
(36" HIGH)

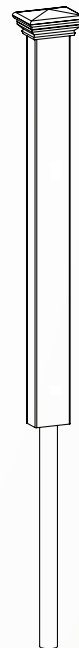
**ASSEMBLY**  
INSTRUCTIONS  
ZP19003

**10 MIN**

*Approximate assembly time*

Want to see a video on how to  
assemble this product?

Scan the QR code



## GENERAL INFORMATION



### IMPORTANT

- + Check the inside of the larger pieces in your box for other materials packed inside.
- + When assembling components, place on a non-abrasive surface (i.e. shipping box) to avoid scratching.
- + We recommend an area approximately 5'x 8' for unobstructed assembling.
- + You should not need to use excessive force when assembling components.

## MISSING OR DAMAGED PARTS?

### VISIT OUR WEBSITE FIRST, SO WE CAN HELP YOU RIGHT AWAY!

Although great care has been taken to ensure proper packaging and handling of this product, occasionally problems occur. If you discover any missing, damaged or defective parts, please visit our website to order replacement parts. If you experience any further trouble with your product, please contact our customer service department.

 [parts.nychbrands.com](http://parts.nychbrands.com)

 [support@zippity-outdoor.com](mailto:support@zippity-outdoor.com)

 **704-892-5222 / 877-234-6196**

*Customer service agents are available to take calls weekdays from 8am-5pm EST. If you call outside of business hours, please leave a voicemail.*

To help you quickly and accurately, please have reference item number **ZP19003** and the specific part name which can be found on page 5. It is helpful if you can provide the batch lot which is a stamped number on the end of the box.

## NEED ASSEMBLY HELP?

If you are having problems with the assembly or installation of this product, we are happy to assist you with the process, **so please give us a call at 704-892-5222 / 877-234-6196.**

## NEED TO RETURN?

If for some reason you need to return this product, please allow us to help resolve your issues first. If you still decide to return the product, **you will need to initiate the return from the company you originally purchased from.**

AVOID THESE PITFALLS!

HAVE YOU CONTACTED YOUR LOCAL UTILITIES?

1

You must call your local utilities before you start installing your fence to avoid puncturing any unseen underground utilities, especially electrical or gas lines. Fortunately, this is made easy for you.



- + Simply call 811 in the US or visit [www.call811.com](http://www.call811.com).
- + In Canada, visit [www.transcanada.com/contactus.html](http://www.transcanada.com/contactus.html) for a list of phone numbers by province.

HAVE YOU CHECKED YOUR LOCAL ZONING LAWS?

2

Local zoning laws and Home Owners Associations may regulate the height, style, and placement of your fence. Some locations may even require a permit.

ARE YOU ABSOLUTELY SURE WHERE YOUR PROPERTY LINE IS?

3

Many disputes have arisen from questions about whose side the fence is on. We recommend the outside edge of your fence to be at least 2" inside your property line to avoid any encroachment on an adjacent property.

HAVE YOU TALKED TO YOUR NEIGHBORS?

4

Your fence will become part of their yard too, and you'll have an easier time building it if you can have access from both sides. Besides, you may get lucky if they decide to share the cost with you.

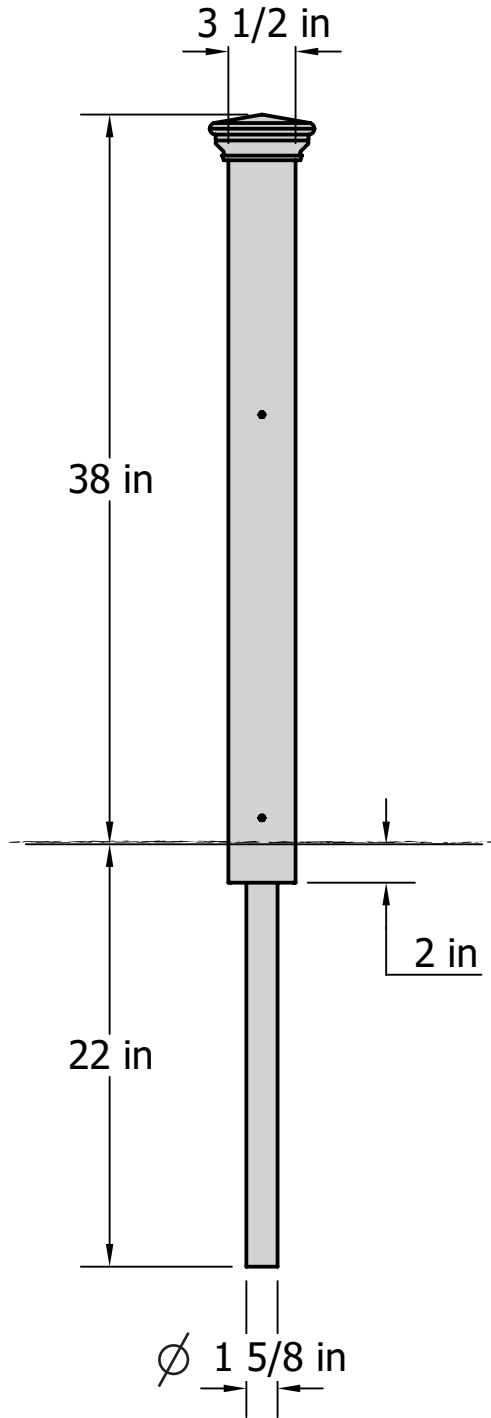


IMPORTANT! UNSTABLE GROUND OR ROCK?

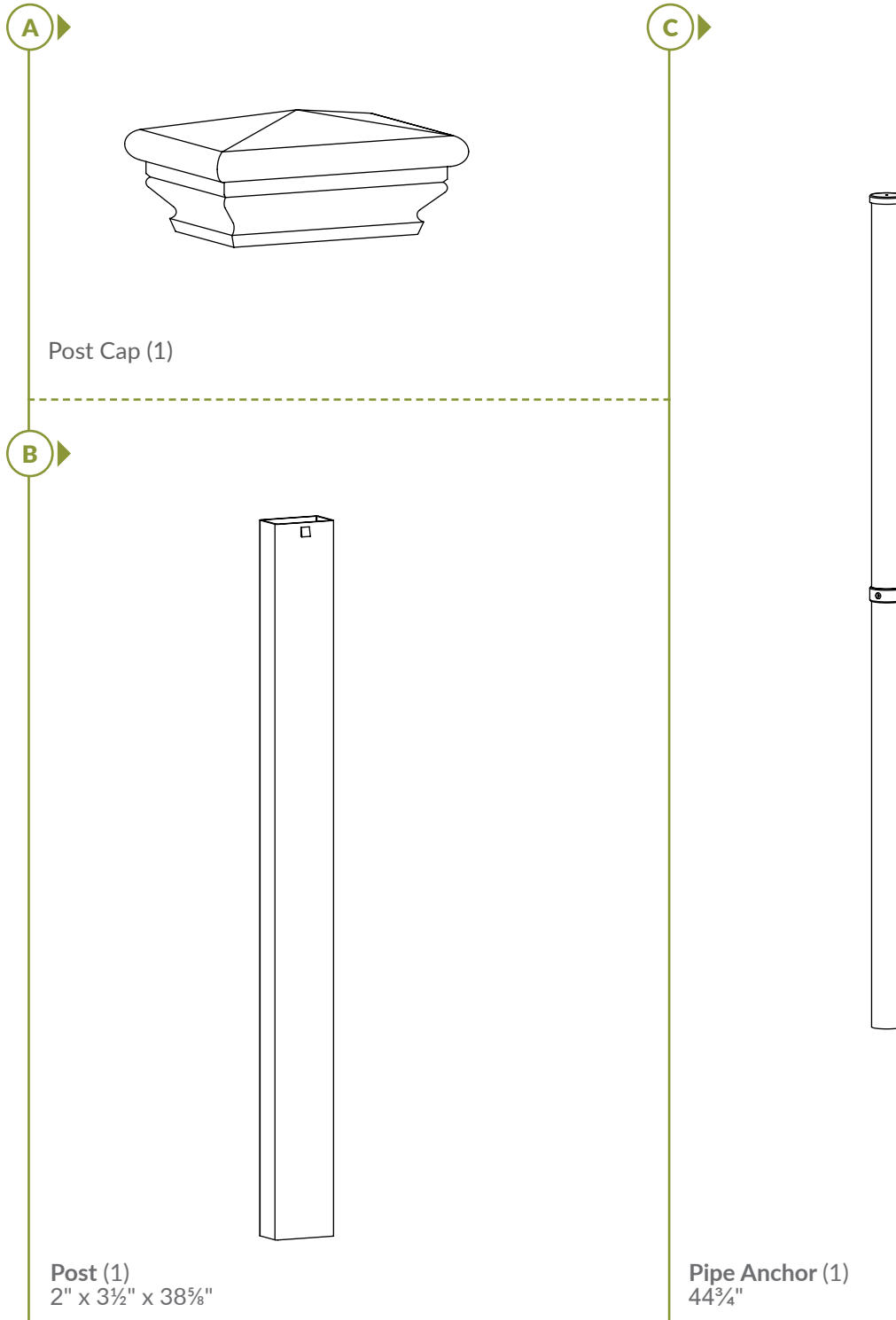
5

If you encounter rock or unstable ground, you can concrete the pipe into place either during installation or afterwards.

## Detailed Product Dimensions & Specifications

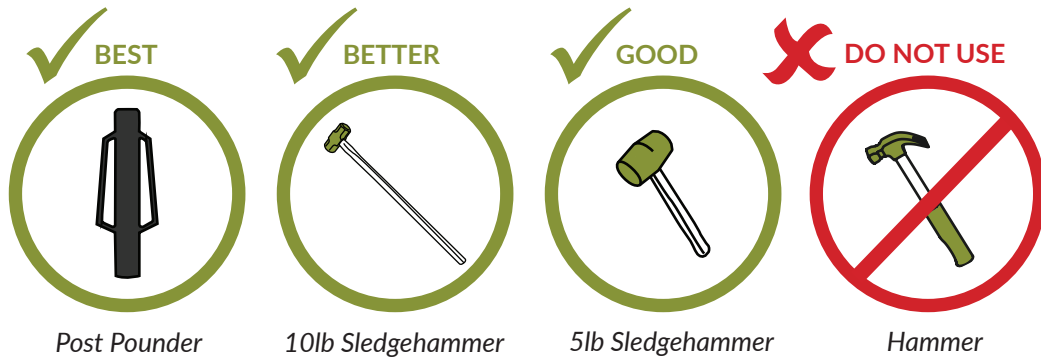


## STEP 1: LAY OUT MATERIALS



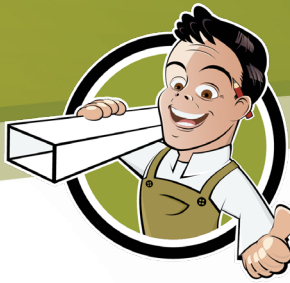
**THIS POST IS DESIGNED TO BE USED WITH THE NEWPORT VINYL FENCE WITH POST AND NO-DIG STEEL PIPE ANCHOR KIT (36" H X 74" W) (ZP19002). PLEASE SEE THOSE INSTRUCTIONS FOR INSTALLATION GUIDELINES FOR THIS POST.**

**TOOL OPTIONS FOR DRIVING THE PIPE ANCHOR INTO THE GROUND:**



*Purchase a post pounder at any hardware store, or go to [www.wambamfence.com/](http://www.wambamfence.com/) Post pounders cost roughly \$25 to \$30.*





# ZIPPITY

*Easy Does It!*



6935 Reames Rd. Ste. K.  
Charlotte, NC 28216



[support@zippity-outdoor.com](mailto:support@zippity-outdoor.com)

704-892-5222  
877-234-6196



[WWW.ZIPPITY-OUTDOOR.COM](http://WWW.ZIPPITY-OUTDOOR.COM)