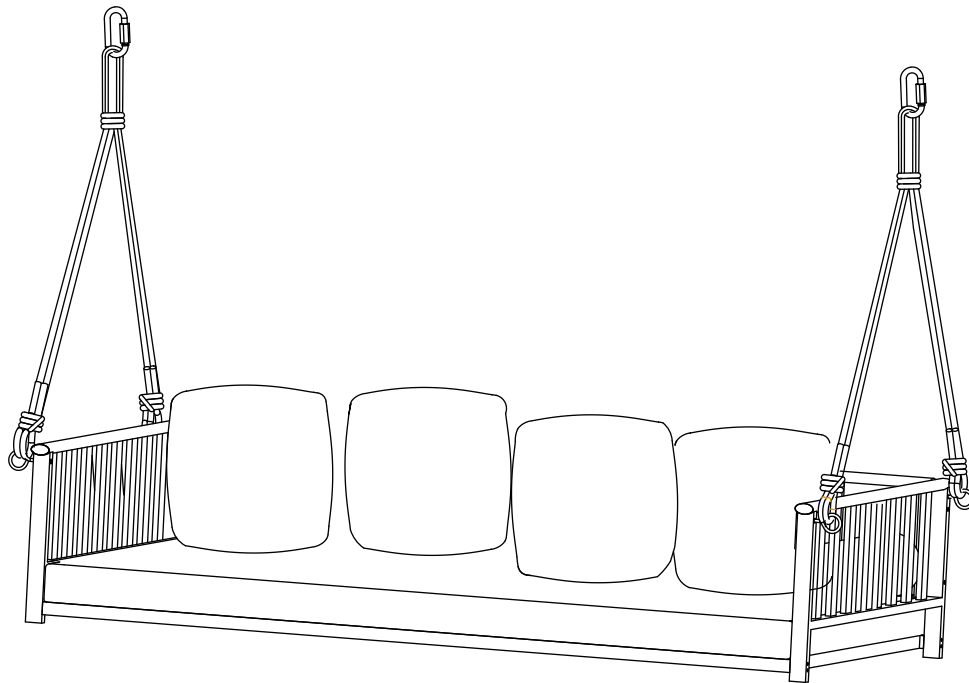


Item # 1001 414 641
Model # GSS00208B-4

HAMPTON BAY[®]

USE AND CARE GUIDE

CANE SWING WITH CUSHIONS



Questions, problems, missing parts? Before returning to the store
call Hampton Bay Customer Service.

8 a.m. - 7 p.m., EST, Monday - Friday, 9 a.m. - 6 p.m., EST, Saturday

1-855-HD-HAMPTON

HAMPTONBAY.COM

THANK YOU

We appreciate the trust and confidence you have placed in Hampton Bay through the purchase of this swing. We strive to continually create quality products designed to enhance your home. Visit us online to see our full line of products available for your home improvement needs. Thank you for choosing Hampton Bay!

Table of Contents

Table of Contents.....	2	Pre-Assembly	3
Important Safety Instructions	2	Planning Assembly	3
Save These Instructions	2	Hardware Included	3
Read All Instructions Before Use	2	Package Contents	4
Warranty	3	Assembly	5
What is Covered	3	Care and Cleaning.....	6
What is Not Covered	3		

Important Safety Instructions

SAVE THESE INSTRUCTIONS



WARNING: This swing was as made for the explicit purpose of providing outdoor functions and is not to be used as a toy. This product is intended for normal outdoor use; however, the manufacturer recommends storing and / or covering this set when any formidable / severe weather is approaching.



WARNING: Do not locate this product near open flames. Do not use this product as a support. Do not shake, lean or climb on the product. Children under the age of 10, near the product, should be supervised by a competent adult at all times. This product is NOT intended for commercial use and will void the warranty.

READ ALL INSTRUCTIONS BEFORE USE

To reduce the risk of injury to persons:

1. Close supervision is necessary when this product is used by or near children, or disabled persons, if applicable.
2. Use this furnishing only for its intended use as described in these instructions. Do not use attachments not recommended by the manufacturer.
3. Please keep children out of the assembly area before assembly.



WARNING: Weight limit for the swing chair is 250 lbs (113.39 kg) for each seat.



WARNING: This swing unit is heavy, and may require two adults for safe assembly.



WARNING: Do not shake from side to side when using the product.



CAUTION: Do not locate the product near any heat source.



CAUTION: Do not place heavy objects on the swing.

Warranty

2 YEAR FRAME AND 2 YEAR FABRIC LIMITED WARRANTY

WHAT IS COVERED

We warrant the frames to be free of manufacturing defects to the original purchaser for two years, and a two year limited warranty for the fabric.

WHAT IS NOT COVERED

It remains the customer's responsibility for freight and packaging charges to and from our service center. This warranty does not cover commercial use, hardware, acts of nature, fire, freezing and abusive use. In addition, purchased parts are not covered under this warranty. We reserve the right to make substitutions with similar merchandise, if the model in question is no longer in production.

Contact the Customer Service Team at 1-855-HD-HAMPTON or visit www.HamptonBay.com.


Pre-Assembly

PLANNING ASSEMBLY


Read all instructions before assembly.

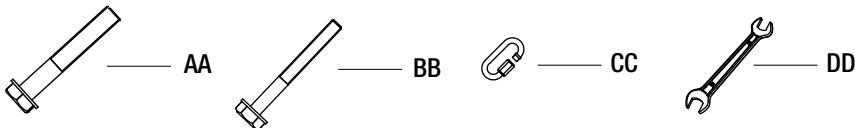
To avoid damaging this product, assemble it on a soft, non-abrasive surface such as carpet or cardboard.

This swing is compatible with the Cane A-frame.

 **NOTE:** More than one person may be required to assemble this product.

HARDWARE INCLUDED

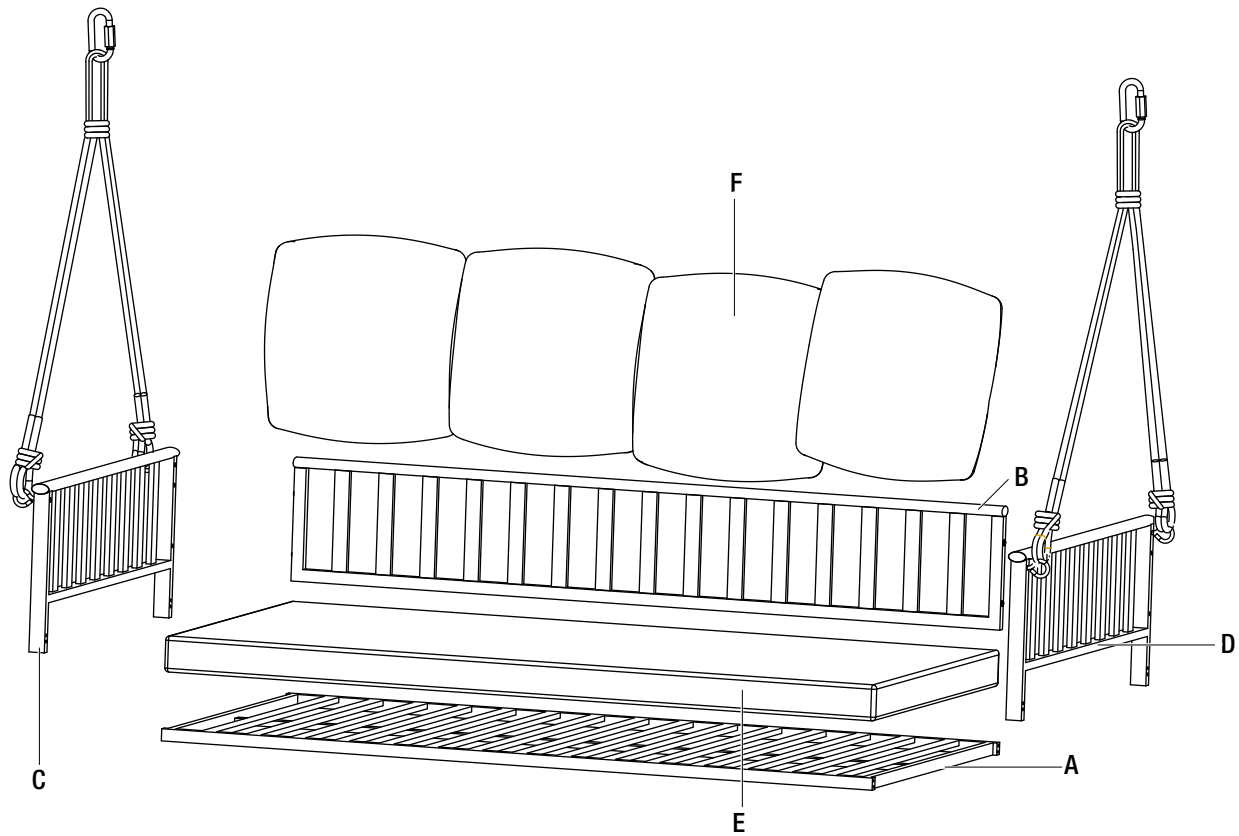
 **NOTE:** Hardware not shown to actual size.



Part	Description	Quantity
AA	M8x50 combination bolt	4+1
BB	M6x50 combination bolt	8+1
CC	Connector ring	2
DD	Wrench	1

Pre-Assembly (continued)

PACKAGE CONTENTS

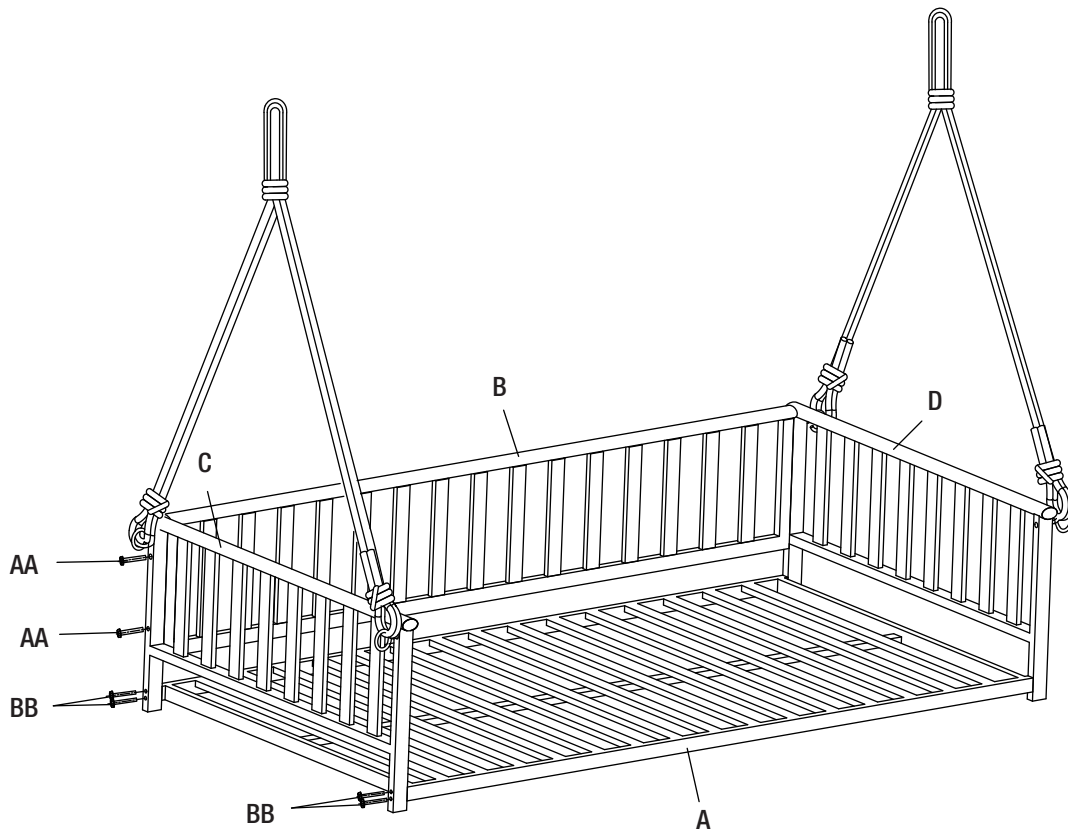


Part	Description	Quantity
A	Seat	1
B	Backrest	1
C	Right arm	1
D	Left arm	1
E	Seat cushion	1
F	Pillow	4

Assembly

1 Assembling the swing frame

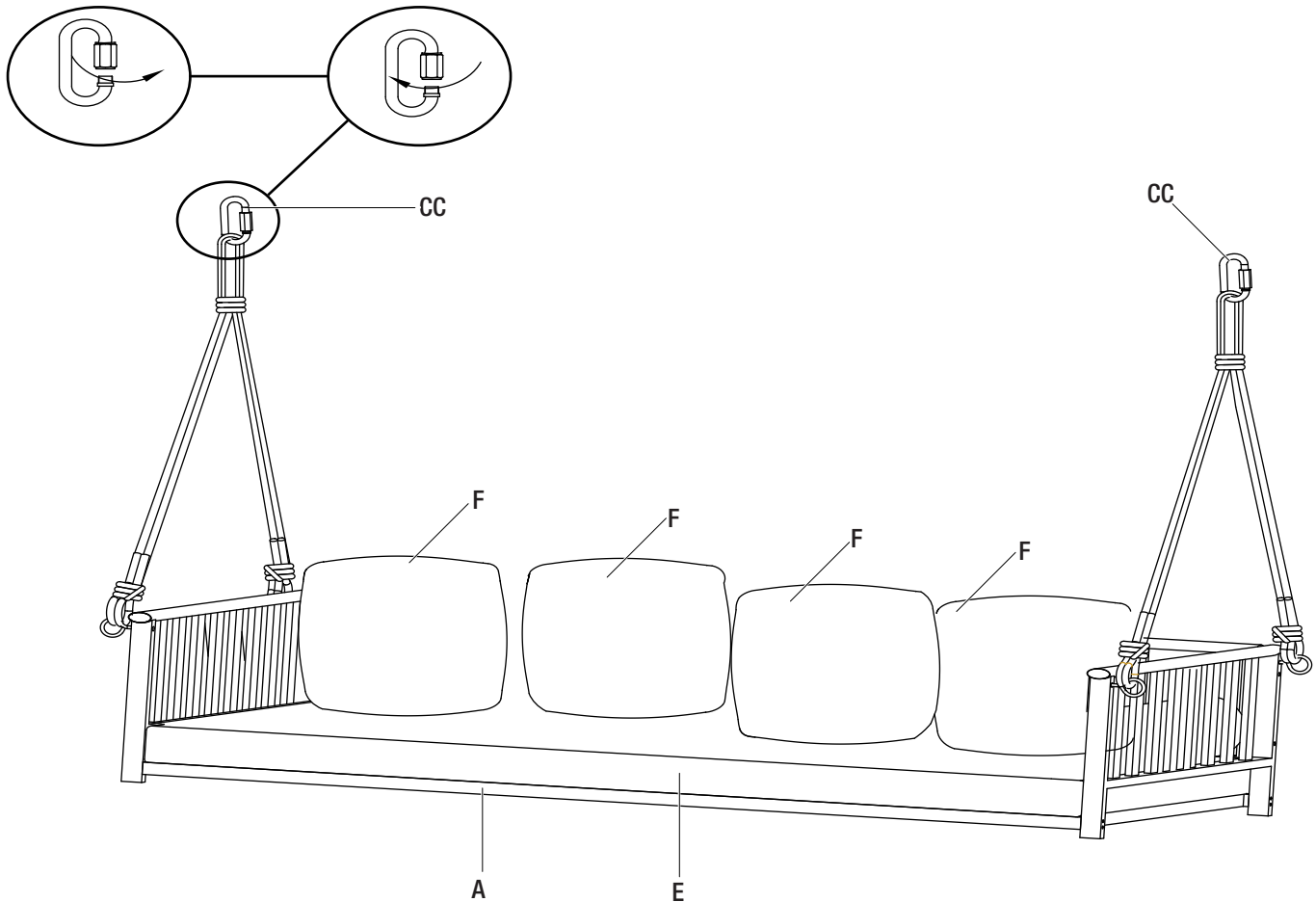
- Attach the right arm (C) and the left arm (D) to the seat (A) using M6x50 combination bolts (BB).
- Attach the right arm (C) and the left arm (D) to the backrest (B) using M8x50 combination bolts (AA).
- Tighten all the bolts using the wrench (DD).



Assembly (continued)

2 Attaching the connector rings and the seat cushions

- Open the connector rings (CC) by twisting counterclockwise.
- Insert the connector rings (CC) into each swing rope hole.
- Close the connector ring (CC) by twisting clockwise.
- Place the seat cushions (E) and the pillows (F) on the seat (A).



Care and Cleaning

- For best results, clean the frame and fabric with a damp cloth and dry thoroughly. This will help prevent mildew by removing dirt particles that may accumulate.
- Do not clean with abrasive materials, bleach, or solvents.
- Store the swing in a dry, sheltered place when not in use.
- Keep the swing away from fire, extreme heat, freezing conditions, and inclement weather such as rain, hail, sleet, snow, or wind.

HAMPTON BAY[®]

Questions, problems, missing parts? Before returning to the store,
call Hampton Bay Customer Service.
8 a.m. - 7 p.m., EST, Monday - Friday, 9 a.m. - 6 p.m., EST, Saturday

1-855-HD-HAMPTON

HAMPTONBAY.COM

Retain this manual for future use.

For certification use only

Factory swing ID # GSS00208A
