



BSH Home Appliances Group

B/S/H/

Dryer Electrical Supply Grounding Instructions for 3-Wire Power Cord

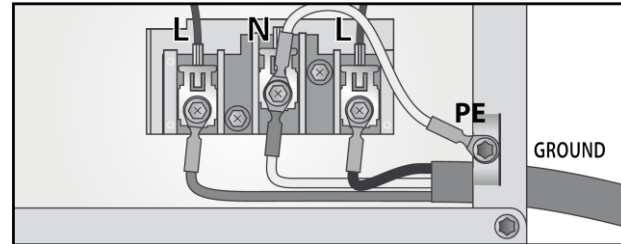
2018-08
Mike Peebles

BSH Dryer Electrical Supply Grounding Instructions for 3-Wire Power Cord

Dryer Installation Manual:

Current Dryer installation manuals have the following instructions for installing a 3-Wire Power Cord.

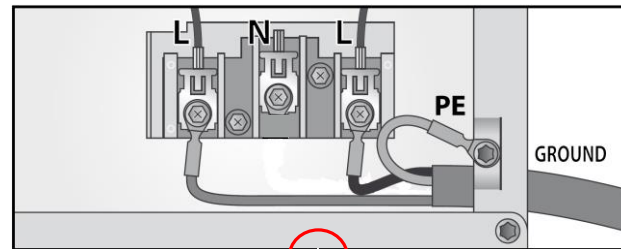
9. If the ground wire shown below from **N** to **PE** is not part of the 3-wire cord assembly you have it must be obtained/purchased separately and it must be installed.



Alternate Grounding Method:

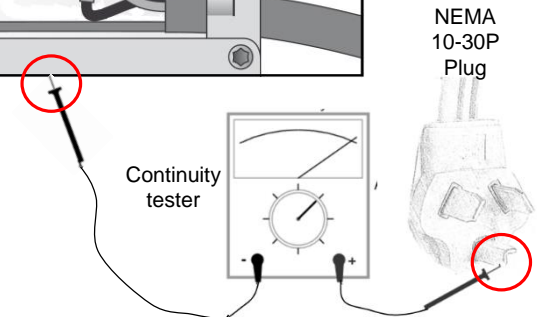
As BSH condensate dryers have no internal Neutral, the following installation is permitted **IF ALL** instructions are completed and confirmed.

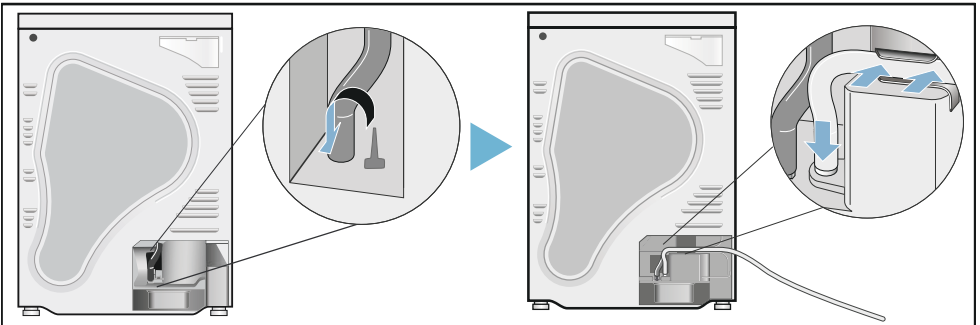
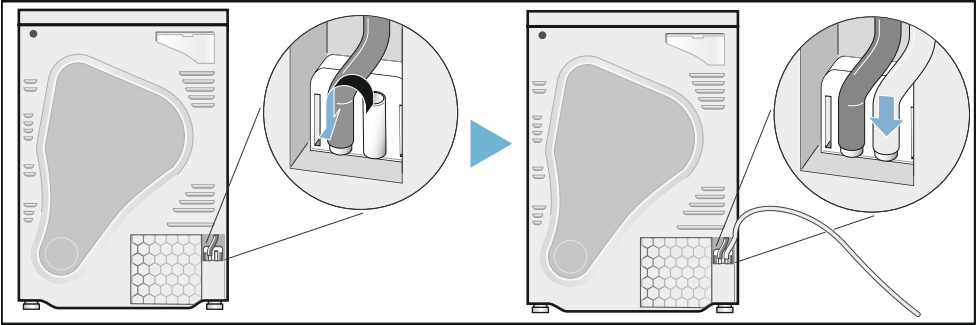
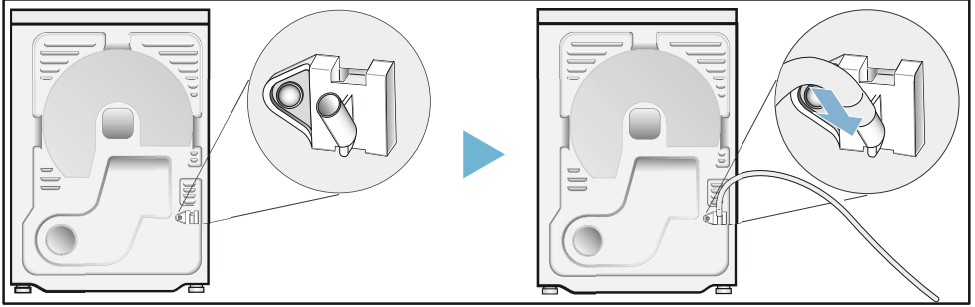
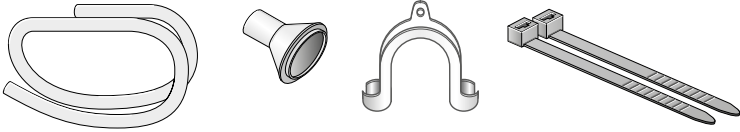
1. Neutral wire of 3-Wire cord (usually white or middle conductor) can be connected directly to **PE** as shown.

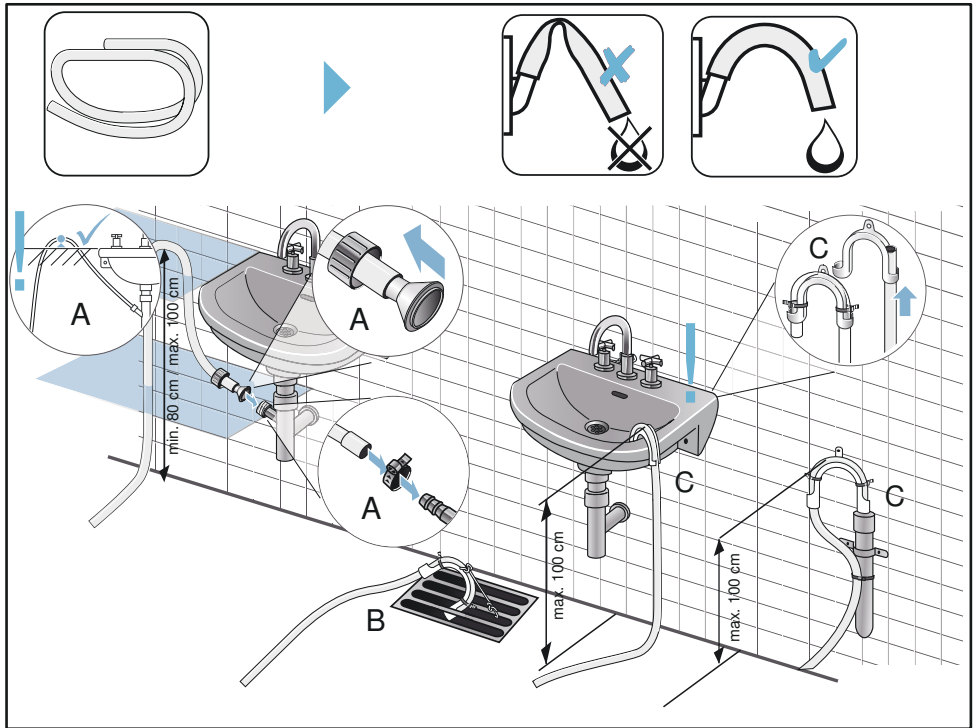
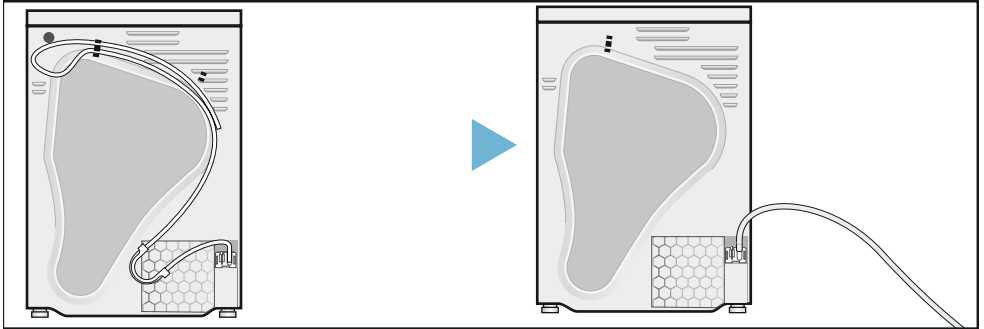
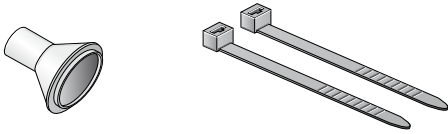


⚠ WARNING

2. BEFORE plugging power cord into the receptacle, the continuity between the Neutral (center) pin of the power cord and the metal frame of the appliance **MUST** be confirmed. Use of a self-energized circuit tester must be used.
3. A 4-conductor cord must be used when the appliance is installed where grounding through the Neutral conductor is prohibited! Grounding through the Neutral conductor is prohibited for (1) new branch-circuit installations, (2) mobile homes, (3) recreational vehicles, and (4) areas where local codes prohibit grounding through the Neutral conductors.







8001013017 (9507)

