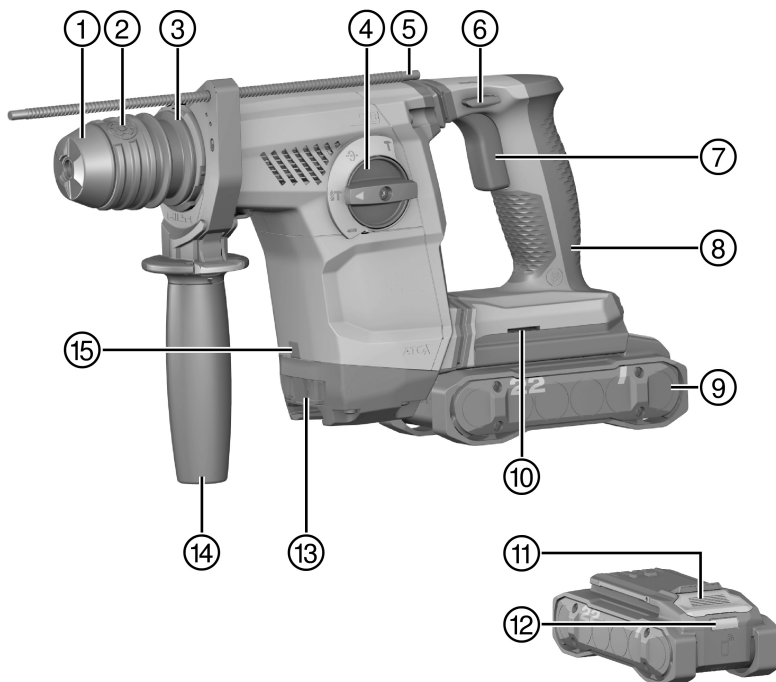


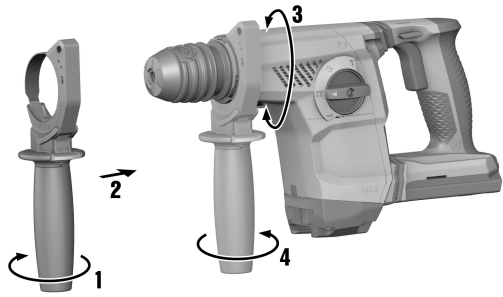


TE 6-22  
NURON

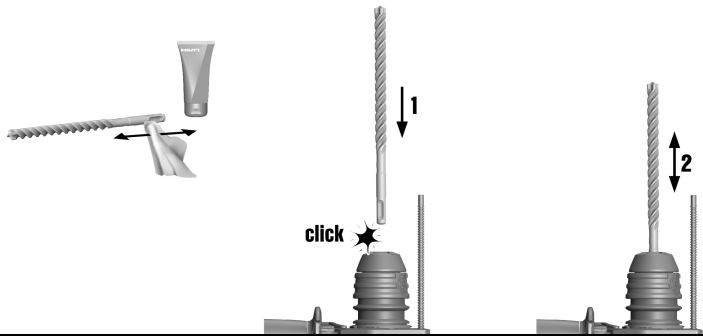
English	1
Français	13
Español	26
Português	39



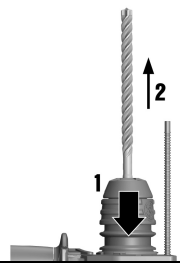
2



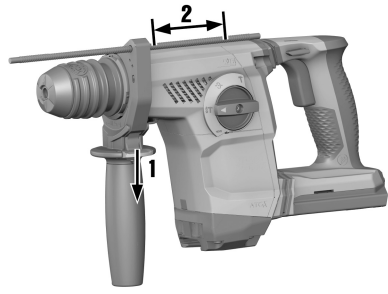
3



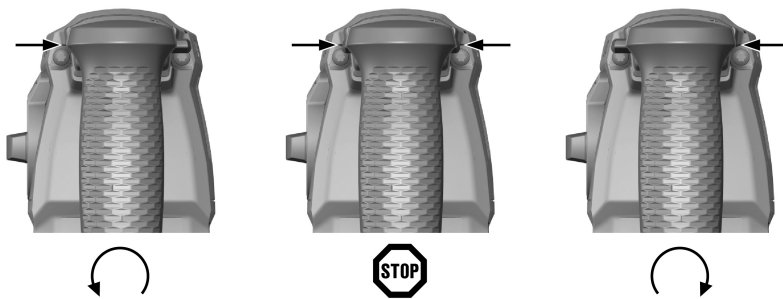
4



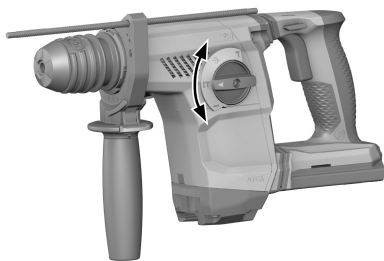
5



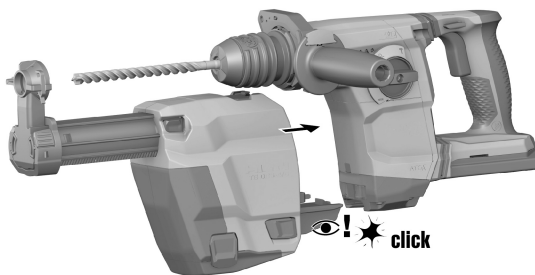
6



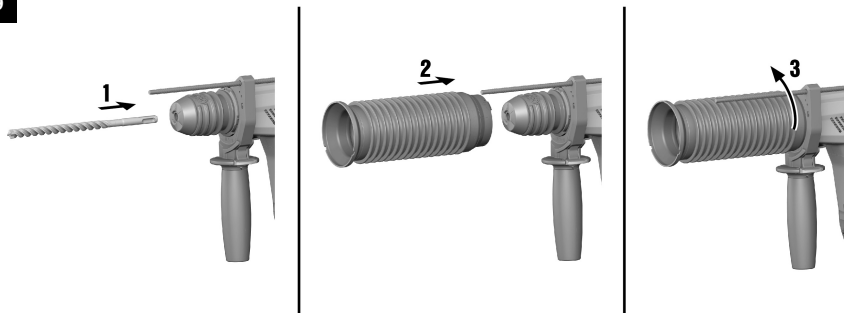
7



8



9



# TE 6-22

en	Original operating instructions . . . . .	1
fr	Mode d'emploi original . . . . .	13
es	Manual de instrucciones original . . . . .	26
pt	Manual de instruções original . . . . .	39



# Original operating instructions

## 1 Information about the documentation

### 1.1 About this documentation

- Read this documentation before initial operation or use. This is a prerequisite for safe, trouble-free handling and use of the product.
- Observe the safety instructions and warnings in this documentation and on the product.
- Always keep the operating instructions with the product and make sure that the operating instructions are with the product when it is given to other persons.

### 1.2 Explanation of symbols

#### 1.2.1 Warnings

Warnings alert persons to hazards that occur when handling or using the product. The following signal words are used:



#### **DANGER !**

- ▶ Draws attention to imminent danger that will lead to serious personal injury or fatality.



#### **WARNING !**

- ▶ Draws attention to a potential threat of danger that can lead to serious injury or fatality.



#### **CAUTION !**

- ▶ Draws attention to a potentially dangerous situation that could lead to personal injury or damage to the equipment or other property.

#### 1.2.2 Symbols in the operating instructions

The following symbols are used in these operating instructions:

	Comply with the operating instructions
	Instructions for use and other useful information
	Dealing with recyclable materials
	Do not dispose of electric equipment and batteries as household waste
	<b>Hilti</b> Li-ion battery
	<b>Hilti</b> charger

#### 1.2.3 Symbols in illustrations

The following symbols are used in illustrations:

<b>2</b>	These numbers refer to the illustrations at the beginning of these operating instructions.
3	The numbering reflects the sequence of operations shown in the illustrations and may deviate from the steps described in the text.
<b>11</b>	Item reference numbers are used in the <b>overview illustration</b> and refer to the numbers used in the key in the <b>product overview</b> section.
	These characters are intended to specifically draw your attention to certain points when handling the product.



### 1.3 Product-dependent symbols

#### 1.3.1 Symbols on the product

The following symbols can be used on the product:

	The product supports near-field communication (NFC) technology compatible with iOS and Android platforms.
	Drilling without hammer action
	Drilling with hammer action (hammer drilling)
	Chisel positioning
	Chiseling
	Forward / reverse
$n_0$	Rated speed under no load
	Direct current (DC)
Li-Ion	Li-ion battery
	Never use the battery as a striking tool.
	Do not drop the battery. Never use a battery that has suffered an impact or is damaged in any other way.
	<b>Hilti</b> Li-ion battery type series used. Observe the information given in the section headed <b>Intended use</b> .
	If applied on the product, the product has been certified by this certification body for the US and Canadian markets according to the applicable standards.

### 1.4 Product information

products are designed for professional users and only trained, authorized personnel are permitted to operate, service and maintain the products. This personnel must be specifically informed about the possible hazards. The product and its ancillary equipment can present hazards if used incorrectly by untrained personnel or if used not in accordance with the intended use.

The type designation and serial number are printed on the rating plate.

- ▶ Write down the serial number in the table below. You will be required to state the product details when contacting Hilti Service or your local Hilti organization to inquire about the product.

#### Product information

Rotary hammer SDS-Plus	TE 6-22
Generation	05
Serial no.	

## 2 Safety

### 2.1 General power tool safety warnings

**WARNING** Read all safety warnings, instructions, illustrations and specifications provided with this power tool. Failure to follow all instructions listed below may result in electric shock, fire and/or serious injury. **Save all warnings and instructions for future reference.**

The term "power tool" in the warnings refers to your mains-operated (corded) power tool or battery-operated (cordless) power tool.

#### Work area safety

- ▶ **Keep work area clean and well lit.** Cluttered or dark areas invite accidents.
- ▶ **Do not operate power tools in explosive atmospheres, such as in the presence of flammable liquids, gases or dust.** Power tools create sparks which may ignite the dust or fumes.





- ▶ **Keep children and bystanders away while operating a power tool.** Distractions can cause you to lose control.

### Electrical safety

- ▶ **Power tool plugs must match the outlet. Never modify the plug in any way. Do not use any adapter plugs with earthed (grounded) power tools.** Unmodified plugs and matching outlets will reduce risk of electric shock.
- ▶ **Avoid body contact with earthed or grounded surfaces, such as pipes, radiators, ranges and refrigerators.** There is an increased risk of electric shock if your body is earthed or grounded.
- ▶ **Do not expose power tools to rain or wet conditions.** Water entering a power tool will increase the risk of electric shock.
- ▶ **Do not abuse the cord. Never use the cord for carrying, pulling or unplugging the power tool. Keep cord away from heat, oil, sharp edges or moving parts.** Damaged or entangled cords increase the risk of electric shock.
- ▶ **When operating a power tool outdoors, use an extension cord suitable for outdoor use.** Use of a cord suitable for outdoor use reduces the risk of electric shock.
- ▶ **If operating a power tool in a damp location is unavoidable, use a residual current device (RCD) protected supply.** Use of an RCD reduces the risk of electric shock.

### Personal safety

- ▶ **Stay alert, watch what you are doing and use common sense when operating a power tool. Do not use a power tool while you are tired or under the influence of drugs, alcohol or medication.** A moment of inattention while operating power tools may result in serious personal injury.
- ▶ **Use personal protective equipment. Always wear eye protection.** Protective equipment such as a dust mask, non-skid safety shoes, hard hat or hearing protection used for appropriate conditions will reduce personal injuries.
- ▶ **Prevent unintentional starting. Ensure the switch is in the off-position before connecting to power source and/or battery pack, picking up or carrying the tool.** Carrying power tools with your finger on the switch or energising power tools that have the switch on invites accidents.
- ▶ **Remove any adjusting key or wrench before turning the power tool on.** A wrench or a key left attached to a rotating part of the power tool may result in personal injury.
- ▶ **Do not overreach. Keep proper footing and balance at all times.** This enables better control of the power tool in unexpected situations.
- ▶ **Dress properly. Do not wear loose clothing or jewellery. Keep your hair and clothing away from moving parts.** Loose clothes, jewellery or long hair can be caught in moving parts.
- ▶ **If devices are provided for the connection of dust extraction and collection facilities, ensure these are connected and properly used.** Use of dust collection can reduce dust-related hazards.
- ▶ **Do not let familiarity gained from frequent use of tools allow you to become complacent and ignore tool safety principles.** A careless action can cause severe injury within a fraction of a second.

### Power tool use and care

- ▶ **Do not force the power tool. Use the correct power tool for your application.** The correct power tool will do the job better and safer at the rate for which it was designed.
- ▶ **Do not use the power tool if the switch does not turn it on and off.** Any power tool that cannot be controlled with the switch is dangerous and must be repaired.
- ▶ **Disconnect the plug from the power source and/or remove the battery pack, if detachable, from the power tool before making any adjustments, changing accessories, or storing power tools.** Such preventive safety measures reduce the risk of starting the power tool accidentally.
- ▶ **Store idle power tools out of the reach of children and do not allow persons unfamiliar with the power tool or these instructions to operate the power tool.** Power tools are dangerous in the hands of untrained users.
- ▶ **Maintain power tools and accessories. Check for misalignment or binding of moving parts, breakage of parts and any other condition that may affect the power tool's operation. If damaged, have the power tool repaired before use.** Many accidents are caused by poorly maintained power tools.
- ▶ **Keep cutting tools sharp and clean.** Properly maintained cutting tools with sharp cutting edges are less likely to bind and are easier to control.
- ▶ **Use the power tool, accessories and tool bits etc. in accordance with these instructions, taking into account the working conditions and the work to be performed.** Use of the power tool for operations different from those intended could result in a hazardous situation.
- ▶ **Keep handles and grasping surfaces dry, clean and free from oil and grease.** Slippery handles and grasping surfaces do not allow for safe handling and control of the tool in unexpected situations.



**Battery tool use and care**

- ▶ **Recharge only with the charger specified by the manufacturer.** A charger that is suitable for one type of battery pack may create a risk of fire when used with another battery pack.
- ▶ **Use power tools only with specifically designated battery packs.** Use of any other battery packs may create a risk of injury and fire.
- ▶ **When battery pack is not in use, keep it away from other metal objects, like paper clips, coins, keys, nails, screws or other small metal objects, that can make a connection from one terminal to another.** Shorting the battery terminals together may cause burns or a fire.
- ▶ **Under abusive conditions, liquid may be ejected from the battery; avoid contact. If contact accidentally occurs, flush with water. If liquid contacts eyes, additionally seek medical help.** Liquid ejected from the battery may cause irritation or burns.
- ▶ **Do not use a battery pack or tool that is damaged or modified.** Damaged or modified batteries may exhibit unpredictable behaviour resulting in fire, explosion or risk of injury.
- ▶ **Do not expose a battery pack or tool to fire or excessive temperature.** Exposure to fire or temperature above 130° C (265 °F) may cause explosion.
- ▶ **Follow all charging instructions and do not charge the battery pack or tool outside the temperature range specified in the instructions.** Charging improperly or at temperatures outside the specified range may damage the battery and increase the risk of fire.

**Service**

- ▶ **Have your power tool serviced by a qualified repair person using only identical replacement parts.** This will ensure that the safety of the power tool is maintained.
- ▶ **Never service damaged battery packs.** Service of battery packs should only be performed by the manufacturer or authorized service providers.

**2.2 Hammer safety warnings**

- ▶ **Wear ear protectors.** Exposure to noise can cause hearing loss.
- ▶ **Use auxiliary handles, if supplied with the tool.** Loss of control can cause personal injury.
- ▶ **Hold power tool by insulated gripping surfaces, when performing an operation where the cutting accessory may contact hidden wiring.** Cutting accessory contacting a "live" wire may make exposed metal parts of the power tool "live" and could give the operator an electric shock.

**2.3 Additional safety instructions****Personal safety**

- ▶ Use the product and accessories only when they are in perfect working order.
- ▶ Never tamper with or modify the product or accessories in any way.
- ▶ Wear protective gloves when changing accessory tools, because the accessory tool and the chuck get hot during use.
- ▶ In accordance with the applications for which it is designed, the product produces a high torque. Always hold the tool with both hands on the grips provided. The user must be prepared for sudden sticking and stalling of the accessory tool.
- ▶ Check that the side handle is fitted correctly and tightened securely. Always grip the side handle at its outermost end.
- ▶ Working on the material may cause it to splinter. Flying fragments present a risk of injury to the eyes and body. Wear eye protection, a hard hat and ear protection while the product is in use. In addition, wear light respiratory protection if you are not using a dust extractor.
- ▶ Apply appropriate safety measures at the opposite side of the workpiece in work that involves breaking through. Parts breaking away could fall out and / or fall down causing injury to other persons.
- ▶ When chiseling into ceilings, walls and floors, always make sure that you have a safe and firm stance. A sudden break-through can affect your balance.
- ▶ Do not touch rotating parts – risk of injury!
- ▶ Keep the air vents clear at all times. Risk of burn injuries due to blocked air vents!
- ▶ Switch the product on only after you have brought it to the working position.
- ▶ Do not work in an environment heavily contaminated with dust.



- ▶ Dust produced by grinding, sanding, cutting and drilling can contain dangerous chemicals. Some examples are: lead or lead-based paints; brick, concrete and other masonry products, natural stone and other products containing silicates; certain types of wood, such as oak, beech and chemically treated wood; asbestos or materials that contain asbestos. Determine the exposure of the operator and bystanders by means of the hazard classification of the materials to be worked. Implement the necessary measures to restrict exposure to a safe level, for example by the use of a dust collection system or by the wearing of suitable respiratory protection. The general measures for reducing exposure include:
  - ▶ working in an area that is well ventilated,
  - ▶ avoidance of prolonged contact with dust,
  - ▶ directing dust away from the face and body,
  - ▶ wearing protective clothing and washing exposed areas of the skin with water and soap.
- ▶ Take frequent breaks and do physical exercises to improve the blood circulation in your fingers. High vibration during long periods of work can lead to disorders of the blood vessels and nervous system in the fingers, hands and wrists.
- ▶ Do not look directly into the light source (LEDs) of the power tool and do not aim the beam at other persons' faces. Risk of dazzling or eye damage.
- ▶ Prevent ingress of moisture. A short circuit caused by moisture can result in fire or burn injuries.
- ▶ Risk of injury by falling tools and/or accessories. Before starting work, check that the battery and installed accessories are secure.
- ▶ Do not attach a belt hook to this product.

### Electrical safety

- ▶ Before beginning work, check the working area for concealed electric cables or gas and water pipes. External metal parts of the product could give you an electric shock or cause an explosion if you accidentally damage an electric cable or a gas or water pipe.

### Power tool use and care

- ▶ Switch the product off immediately if the accessory tool jams. The product might twist off-line.
- ▶ Wait until the product stops completely before you lay it down.

## 2.4 Battery use and care

- ▶ **Comply with the following safety instructions for the safe handling and use of Li-ion batteries.** Failure to comply can lead to skin irritation, severe corrosive injury, chemical burns, fire and/or explosion.
- ▶ Use only batteries that are in perfect working order.
- ▶ Treat batteries with care in order to avoid damage and prevent leakage of fluids that are extremely harmful to health!
- ▶ Do not under any circumstances modify or tamper with batteries!
- ▶ Do not disassemble, crush or incinerate batteries and do not subject them to temperatures over 80 °C (176 °F).
- ▶ Never use or charge a battery that has suffered an impact or been damaged in any other way. Check your batteries regularly for signs of damage.
- ▶ Never use recycled or repaired batteries.
- ▶ Never use the battery or a battery-operated power tool as a striking tool.
- ▶ Never expose batteries to the direct rays of the sun, elevated temperature, sparking, or open flame. This can lead to explosions.
- ▶ Do not touch the battery poles with your fingers, tools, jewelry, or other electrically conductive objects. This can damage the battery and also cause material damage and personal injury.
- ▶ Keep batteries away from rain, moisture and liquids. Penetrating moisture can cause short circuits, electric shock, burns, fire and explosions.
- ▶ Use only chargers and power tools approved for the specific battery type. Read and follow the relevant operating instructions.
- ▶ Do not use or store the battery in explosive environments.



- If the battery is too hot to touch, it may be defective. Put the battery in a place where it is clearly visible and where there is no risk of fire, at an adequate distance from flammable materials. Allow the battery to cool down. If it is still too hot to touch after an hour, the battery is faulty. Consult **Hilti Service** or read the document entitled "Instructions on safety and use for **Hilti** Li-ion batteries".

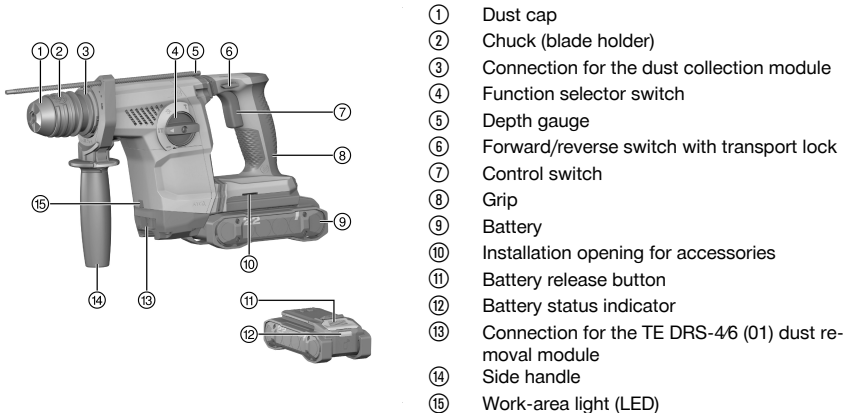


Observe the special guidelines applicable to the transport, storage and use of lithium-ion batteries.  
→ page 11

Read the instructions on safety and use of **Hilti** Li-ion batteries that you can access by scanning the QR code at the end of these operating instructions.

### 3 Description

#### 3.1 Product overview



- ① Dust cap
- ② Chuck (blade holder)
- ③ Connection for the dust collection module
- ④ Function selector switch
- ⑤ Depth gauge
- ⑥ Forward/reverse switch with transport lock
- ⑦ Control switch
- ⑧ Grip
- ⑨ Battery
- ⑩ Installation opening for accessories
- ⑪ Battery release button
- ⑫ Battery status indicator
- ⑬ Connection for the TE DRS-46 (01) dust removal module
- ⑭ Side handle
- ⑮ Work-area light (LED)

#### 3.2 Intended use

The product described is a cordless SDS-Plus rotary hammer drill. It is designed for drilling in steel, wood and masonry, for hammer-action drilling in concrete and masonry, and for driving and removing screws. The product can also be used for light chiseling work on masonry and for surface finishing on concrete.

- For this product, use only **Hilti** Nuron lithium-ion batteries of the B 22 series. For optimum performance, **Hilti** recommends the batteries stated in the table at the end of these operating instructions for this product.
- For these batteries, use only **Hilti** chargers of the type series stated in the table at the end of these operating instructions.

#### 3.3 Items supplied

SDS-Plus rotary hammer drill, side handle, depth gauge, grease, operating instructions.

The TE DRS-46 (01) dust removal module greatly reduces dust emissions and is available as an accessory. Other system products approved for use with this product can be found at your local **Hilti Store** or at: [www.hilti.group](http://www.hilti.group)

#### 3.4 Status indicators of the Li-ion battery

**Hilti** Nuron Li-ion batteries can indicate state of charge, fault messages and the battery's state of health.

##### 3.4.1 Indicators for state of charge and fault messages



#### WARNING

##### Risk of injury by a falling battery!

- If the release button is pressed with a battery inserted in the product, subsequently check that the battery is correctly re-engaged and secure.



Short-press the release button of the battery to get whichever of the following status indications is applicable at the time.

State of charge and, if applicable, faults are indicated constantly as long as the connected product is switched on.

Status	Meaning
Four (4) LEDs show constantly green	State of charge: 100 % to 71 %
Three (3) LEDs show constantly green	State of charge: 70 % to 51 %
Two (2) LEDs show constantly green	State of charge: 50 % to 26 %
One (1) LED shows constantly green	State of charge: 25 % to 10 %
One (1) LED slow-flashes green	State of charge: < 10 %
One (1) LED quick-flashes green	The Li-ion battery is completely discharged. Recharge the battery. If the LED again starts quick-flashing after the battery has been charged, consult <b>Hilti Service</b> .
One (1) LED quick-flashes yellow	The Li-ion battery or the product in which it is inserted is overloaded, too hot or too cold, or experiencing some other fault. Bring the product and the battery to the recommended working temperature and do not overload the product when it is in use. If the message persists, consult <b>Hilti Service</b> .
One (1) LED shows yellow	The Li-ion battery and the product in which it is inserted are not compatible. Consult <b>Hilti Service</b> .
One (1) LED quick-flashes red	The Li-ion battery is locked and cannot be used. Consult <b>Hilti Service</b> .

### 3.4.2 Indicators showing the battery's state of health

To check the battery's state of health, press the release button and hold it down for longer than three seconds. The system does not detect a potential malfunction of the battery due to misuse, for example battery dropped or pierced, external heat damage, etc.

Status	Meaning
All LEDs show in sequence, followed by one (1) LED showing constantly green.	The battery can remain in use.
All LEDs show in sequence, followed by one (1) LED quick-flashing yellow.	The check to ascertain the battery's state of health did not complete. Repeat the procedure, or consult <b>Hilti Service</b> .
All LEDs show in sequence, followed by one (1) LED showing constantly red.	If a connected product can still be used, the remaining battery capacity is below 50 %. If a connected product can no longer be used, the battery has reached the end of its useful life and has to be replaced. Consult <b>Hilti Service</b> .

## 4 Technical data

<b>Weight without battery</b>	3.8 kg (8.4 lb)
<b>Single impact energy in accordance with EPTA procedure 05</b>	2.6 J
<b>Drilling diameter range in concrete/masonry (hammer drilling)</b>	1/8 in ... 1 in
<b>Ambient temperature for operation</b>	-17 °C ... 60 °C (1 °F ... 140 °F)
<b>Storage temperature</b>	-20 °C ... 70 °C (-4 °F ... 158 °F)



#### 4.1 Battery

<b>Battery operating voltage</b>	21.6 V
<b>Weight, battery</b>	See the end of these operating instructions
<b>Ambient temperature for operation</b>	-17 °C ... 60 °C (1 °F ... 140 °F)
<b>Storage temperature</b>	-20 °C ... 40 °C (-4 °F ... 104 °F)
<b>Battery charging starting temperature</b>	-10 °C ... 45 °C (14 °F ... 113 °F)

## 5 Preparations at the workplace

### **WARNING**

#### **Risk of injury by inadvertent starting!**

- ▶ Before inserting the battery, make sure that the product is switched off.
- ▶ Remove the battery before making any adjustments to the power tool or before changing accessories.

Observe the safety instructions and warnings in this documentation and on the product.

#### 5.1 Charging the battery

1. Before charging the battery, read the operating instructions for the charger.
2. Make sure that the contacts on the battery and the contacts on the charger are clean and dry.
3. Use an approved charger to charge the battery. → page 6

#### 5.2 Inserting the battery

### **WARNING**

#### **Risk of injury by short circuit or falling battery!**

- ▶ Before inserting the battery, make sure that the contacts on the battery and the contacts on the product are free of foreign matter.
- ▶ Make sure that the battery always engages correctly.

1. Charge the battery fully before using it for the first time.
2. Push the battery into the product until it engages with an audible click.
3. Check that the battery is seated securely.

#### 5.3 Removing the battery

1. Press the battery release button.
2. Remove the battery from the product.

#### 5.4 Fitting the side handle

1. Release the side handle clamping band by turning the handle grip.
2. Slide the side handle clamping band over the chuck from the front and into the recess provided.
3. Bring the side handle into the desired position.
4. Tighten the side handle clamping band by turning the handle grip.

#### 5.5 Fitting the accessory tool



Apply a little grease to the connection end of the accessory tool.

Use only the recommended grease supplied by Hilti. Using the wrong grease can result in damage to the product.



1. Push the accessory tool into the chuck as far as it will go, turning it and applying light pressure until it engages with an audible click.
2. After fitting the accessory tool, grip it and pull it in order to check that it is securely engaged.
  - ▶ The product is ready for use.

## 5.6 Removing the accessory tool

### CAUTION

**Risk of injury by the accessory tool!** The accessory tool might be hot or have sharp edges.

- ▶ Wear protective gloves when changing the accessory tool.

1. Pull the accessory tool retaining bar back as far as it will go.
2. Remove the accessory tool.

## 5.7 Fitting and adjusting the depth gauge

1. Press and hold down the release button on the side handle.
2. Slide the depth gauge from the front into the opening provided in the side handle. Adjust the depth gauge to the desired drilling depth.
3. Release the release button.
  - ▶ The depth gauge is locked.

## 5.8 Fall arrest

### WARNING

**Risk of injury** by falling tool and/or accessory!

- ▶ Use only the **Hilti** tool tether recommended for your product.
- ▶ Prior to each use, always check the attachment point of the tool tether for possible damage.



Comply with the national regulations for working at heights.

As drop arrester for this product, use only a combination of the **Hilti** retaining strap and the **Hilti** tool tether #2261970.

- ▶ Secure the retaining strap to the installation openings for accessories. Check that it holds securely.
- ▶ Secure one carabiner of the tool tether to the retaining strap and secure the second carabiner to a load-bearing structure. Check that both carabiners hold securely.



Comply with the operating instructions of the **Hilti** retaining strap and those of the **Hilti** tool tether.

## 6 Operation

Observe the safety instructions and warnings in this documentation and on the product.

### 6.1 Switching on and off

1. To switch the product on, press the control switch.
  - ▶ Speed can be controlled steplessly by varying how far the control switch is pressed in.
2. To switch the product off, release the control switch.

### 6.2 Direction of rotation

- ▶ Set the direction of rotation.
  - ▶ The selector switch engages in this position.

### 6.3 Function switch


Set the function selector switch to the desired function.






**Risk of damage!** Do not operate the function selector switch while the motor is running.

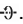
### Drilling without hammer action

- Set the function selector switch to .


### Hammer drilling

- Set the function selector switch to .

### Chisel positioning

- Set the function selector switch to .

### Chiseling

- Set the function selector switch to .

## 7 Optional accessories

### 7.1 TE DRS-46 (01) dust removal module

The TE DRS-46 (01) dust removal module is an accessory for the SDS-Plus rotary hammer drill. It collects a high percentage of the dust generated and can be quickly and easily attached to the SDS-Plus rotary hammer drill. The dust removal module has a built-in extractor fan. This fan is driven by its own motor. When the SDS-Plus rotary hammer drill is switched on, the dust removal module draws its power from the battery of the SDS-Plus rotary hammer drill.

The dust removal module is not suitable for working on metal and wood.

**Conditions:** TE DRS-46 (01) OSHA

The TE DRS-46 (01) OSHA satisfies the requirements of OSHA 1926.1153 Table 1. It has a filter-cleaning mechanism.

### 7.2 Fitting the dust collection module for overhead work

1. Insert the accessory tool. → page 8
2. Slip the dust collection module over the chuck and engage it in the grooves in the housing of the SDS-Plus rotary hammer drill.
3. Turn the dust collection module counter-clockwise to lock it in position.

## 8 Care and maintenance



### WARNING

#### Risk of injury with battery inserted !

- ▶ Always remove the battery before carrying out care and maintenance tasks!

#### Care of the product

- Carefully remove stubborn dirt.
- Carefully clean the air vents, if present, with a dry, soft brush.
- Use only a slightly damp cloth to clean the housing. Do not use cleaning agents containing silicone as these can attack the plastic parts.
- Use a dry, clean cloth to clean the contacts of the product.

#### Care of the Li-ion batteries

- Never use a battery with clogged air vents. Clean the air vents carefully using a dry, soft brush.
- Avoid unnecessary exposure of the battery to dust and dirt. Never expose the battery to high levels of moisture (e.g. by being dipped in water or left in the rain).  
If a battery has been soaked by moisture, treat it as a damaged battery. Isolate it in a non-flammable container and consult **Hilti Service**.
- Keep the battery free of extraneous oil and grease. Do not permit dust or dirt to accumulate unnecessarily on the battery. Clean the battery with a dry, soft brush or a clean, dry cloth. Do not use cleaning agents containing silicone as these can attack the plastic parts.  
Do not touch the contacts of the battery and do not remove the factory-applied grease from the contacts.





- Use only a slightly damp cloth to clean the housing. Do not use cleaning agents containing silicone as these can attack the plastic parts.

### Maintenance

- Check all visible parts and controls for signs of damage at regular intervals and make sure that they all function correctly.
- Do not use the product if signs of damage are found or if parts malfunction. Immediately have the product repaired by **Hilti Service**.
- After cleaning and maintenance, install all guards and protective devices and check that they are in full working order.



To help ensure safe and reliable operation, use only genuine Hilti spare parts and consumables. Spare parts, consumables and accessories approved by **Hilti** for use with your product can be found at your **Hilti Store** or online at: [www.hilti.group](http://www.hilti.group)

## 8.1 Cleaning the dust shield

- ▶ Clean the dust shield on the chuck with a dry, clean cloth at regular intervals.
- ▶ Clean the sealing lip by wiping it carefully and then grease it again lightly with **Hilti** grease.
- ▶ It is essential that the dust shield is replaced if the sealing lip is damaged.

## 9 Transport and storage of cordless tools and batteries

### Transport



#### CAUTION

#### Accidental starting during transport !

- ▶ Always transport your products with the batteries removed!
- ▶ Remove the battery/batteries.
- ▶ Never transport batteries loose and unprotected. During transport, batteries should be protected from excessive shock and vibration and isolated from any conductive materials or other batteries that may come in contact with the terminals and cause a short circuit. **Comply with the locally applicable regulations for transporting batteries.**
- ▶ Do not send batteries through the mail. Consult your shipper for instructions on how to ship undamaged batteries.
- ▶ Prior to each use and before and after prolonged transport, check the product and the batteries for damage.

### Storage



#### WARNING

#### Accidental damage caused by defective or leaking batteries !

- ▶ Always store your products with the batteries removed!
- ▶ Store the product and the batteries in a cool and dry place. Comply with the temperature limits stated in the technical data.
- ▶ Do not store batteries on the charger. Always remove the battery from the charger when the charging operation has completed.
- ▶ Never leave batteries in direct sunlight, on sources of heat, or behind glass.
- ▶ Store the product and batteries where they cannot be accessed by children or unauthorized persons.
- ▶ Prior to each use and before and after prolonged storage, check the product and the batteries for damage.

## 10 Troubleshooting

If a problem occurs, always observe the charge-status and fault indicator of the battery. See the section headed **Status indicators of the Li-ion battery**.

If the trouble you are experiencing is not listed in this table or you are unable to rectify the problem by yourself, contact **Hilti Service**.



Trouble or fault	Possible cause	Action to be taken
The control switch can't be pressed, i.e. the switch is locked.	The forward / reverse switch is in the middle position.	▶ Push the forward / reverse switch to the right or left.
The drive spindle does not rotate.	The battery is not fully inserted.	▶ Push the battery in until it engages with an audible click.
	The forward / reverse switch is in the middle position.	▶ Push the forward / reverse switch to the right or left.
	The function selector switch is not engaged or is in the "Chiseling" position <b>T</b> or the "Chisel positioning" position $\rightarrow$ .	▶ With the motor of the power tool at a complete stop, set the function selector switch to "Drilling without hammering" $\frac{1}{2}$ or "Hammer drilling" $\frac{3}{4}$ <b>T</b> .
No hammering action.	Product too cold.	▶ Bring the product into contact with the working surface, switch it on and allow it to idle. If necessary, repeat the procedure until the hammering mechanism begins to operate.
	The function switch is set to "Drilling without hammering" $\frac{1}{2}$ .	▶ Set the function switch to "Hammer drilling" $\frac{3}{4}$ <b>T</b> .
The battery runs down more quickly than usual.	Battery condition is not optimal.	▶ Call up the condition of the battery. → page 6
The battery doesn't engage with an audible click.	The retaining lugs on the battery are dirty.	▶ Clean the retaining lug and refit the battery.
LEDs of the battery show nothing	Battery defective	▶ Contact <b>Hilti Service</b> .
Product or battery gets very hot.	Electrical fault	▶ Immediately switch off the product. Remove the battery and keep it under observation. Allow it to cool down. Contact <b>Hilti service</b> .
The insert tool can't be released.	The chuck is not pulled back fully.	▶ Pull the chuck back as far as it will go and remove the tool.
The tool makes no progress.	Product has been set to reverse rotation.	▶ Move the forward / reverse switch to the "Forward" position.
	The function switch is set to "Drilling without hammering" $\frac{1}{2}$ .	▶ Set the function switch to "Hammer drilling" $\frac{3}{4}$ <b>T</b> .

## 11 Disposal



### WARNING

**Risk of injury due to incorrect disposal!** Health hazards due to escaping gases or liquids.

- ▶ DO NOT send batteries through the mail!
- ▶ Cover the terminals with a non-conductive material (such as electrical tape) to prevent short circuiting.
- ▶ Dispose of your battery out of the reach of children.
- ▶ Dispose of the battery at your **Hilti Store**, or consult your local governmental garbage disposal or public health and safety resources for disposal instructions.



Most of the materials from which **Hilti** products are manufactured can be recycled. The materials must be correctly separated before they can be recycled. In many countries, your old tools, machines or appliances can be returned to **Hilti** for recycling. Ask **Hilti Service** or your Hilti sales representative for further information.



- ▶ Do not dispose of power tools, electronic equipment or batteries as household waste!



## 12 Manufacturer's warranty

- ▶ Please contact your local **Hilti** representative if you have questions about the warranty conditions.

## 13 Further information

For more information on operation, technology, environment and recycling, follow this link: [qr.hilti.com/manual?id=2264936](http://qr.hilti.com/manual?id=2264936)

This link is also to be found at the end of the documentation, in the form of a QR code.

# Mode d'emploi original

## 1 Indications relatives à la documentation

### 1.1 À propos de cette documentation

- Lire intégralement la présente documentation avant la mise en service. C'est la condition préalablement requise pour assurer la sécurité du travail et un maniement sans perturbations.
- Bien respecter les consignes de sécurité et les avertissements de la présente documentation ainsi que celles figurant sur le produit.
- Toujours conserver le mode d'emploi à proximité du produit et uniquement le transmettre à des tiers avec ce mode d'emploi.

### 1.2 Explication des symboles

#### 1.2.1 Avertissements

Les avertissements attirent l'attention sur des dangers liés à l'utilisation du produit. Les termes de signalisation suivants sont utilisés :



**DANGER**

**DANGER !**

- ▶ Pour un danger imminent qui peut entraîner de graves blessures corporelles ou la mort.



**AVERTISSEMENT**

**AVERTISSEMENT !**

- ▶ Pour un danger potentiel qui peut entraîner de graves blessures corporelles ou la mort.



**ATTENTION**

**ATTENTION !**

- ▶ Pour une situation potentiellement dangereuse pouvant entraîner des blessures corporelles ou des dégâts matériels.

#### 1.2.2 Symboles dans le manuel d'utilisation

Les symboles suivants sont utilisés dans le présent manuel d'utilisation :

	Respecter le manuel d'utilisation
	Pour des conseils d'utilisation et autres informations utiles
	Maniement des matériaux recyclables
	Ne pas jeter les appareils électriques et les accus dans les ordures ménagères
	<b>Hilti</b> Accu Li-Ion
	<b>Hilti</b> Chargeur



### 1.2.3 Symboles dans les illustrations

Les symboles suivants sont utilisés dans les illustrations :

	Ces chiffres renvoient à l'illustration correspondante au début du présent manuel d'utilisation.
3	La numérotation détermine la séquence des étapes de travail dans l'image et peut se différencier de celles des étapes de travail dans le texte.
	Les numéros de position sont utilisés dans l'illustration <b>Vue d'ensemble</b> et renvoient aux numéros des légendes dans la section <b>Vue d'ensemble du produit</b> .
	Ce signe doit inviter à manier le produit en faisant particulièrement attention.

## 1.3 Symboles spécifiques au produit

### 1.3.1 Symboles sur le produit

Les symboles suivants peuvent être utilisés sur le produit :

	Le produit prend en charge la technologie NFC qui est compatible avec les plates-formes iOS et Android.
	Perçage sans percussion
	Perçage avec percussion
	Positionnement du burin
	Burinage
	Sens de rotation droite/gauche
$n_0$	Vitesse nominale à vide
	Courant continu
Li-Ion	Accu lithium-ions
	Ne jamais utiliser l'accu comme outil de percussion.
	Ne pas laisser tomber l'accu. Ne pas utiliser d'accu ayant subi un choc ou d'autres dommages.
	Série de type d'accu Li-Ion <b>Hilti</b> utilisée. Observer les instructions au chapitre <b>Utilisation conforme à l'usage prévu</b> .
	Si présent sur le produit, c'est que le produit a été certifié conformément aux normes en vigueur par cet organisme de certification pour le marché nord-américain et canadien.

## 1.4 Informations produit

Les produits sont destinés aux professionnels et ne doivent être utilisés, entretenus et réparés que par un personnel autorisé et formé. Ce personnel doit être spécialement instruit quant aux dangers inhérents à l'utilisation de l'appareil. Le produit et ses accessoires peuvent s'avérer dangereux s'ils sont utilisés de manière incorrecte par un personnel non qualifié ou de manière non conforme à l'usage prévu.

La désignation du modèle et le numéro de série figurent sur sa plaque signalétique.

- Inscrivez le numéro de série dans le tableau suivant. Les informations produit vous seront demandées lorsque vous contactez nos revendeurs ou services après-vente.

#### Caractéristiques produit

Perforateur-burineur SDS-Plus	TE 6-22
Génération	05
N° de série	



## 2 Sécurité

### 2.1 Indications générales de sécurité pour les appareils électriques

**⚠ AVERTISSEMENT Lire toutes les consignes de sécurité et instructions, illustrations et caractéristiques techniques, qui accompagnent cet outil électroportatif.** Tout manquement à l'observation des instructions suivantes risque de provoquer une électrocution, un incendie et/ou de graves blessures.

**Les consignes de sécurité et instructions doivent être intégralement conservées pour les utilisations futures.**

La notion d'« outil électroportatif » mentionnée dans les consignes de sécurité se rapporte à des outils électriques raccordés au secteur (avec câble d'alimentation) et à des outils électriques sur accus (sans câble d'alimentation).

#### Sécurité sur le lieu de travail

- ▶ **Conserver la zone de travail propre et bien éclairée.** Un lieu de travail en désordre ou mal éclairé augmente le risque d'accidents.
- ▶ **Ne pas faire fonctionner les outils électriques en atmosphère explosive et où se trouvent des liquides, des gaz ou poussières inflammables.** Les outils électriques produisent des étincelles qui peuvent enflammer les poussières ou les fumées.
- ▶ **Maintenir les enfants et les personnes présentes à l'écart pendant l'utilisation de l'outil électroportatif.** En cas d'inattention il y a risque de perdre le contrôle de l'appareil.

#### Sécurité relative au système électrique

- ▶ **La fiche de secteur de l'outil électroportatif doit être adaptée à la prise de courant. Ne jamais modifier la fiche de quelque façon que ce soit. Ne pas utiliser d'adaptateurs avec des outils électriques à branchement de terre.** Des fiches non modifiées et des prises de courant adaptées réduiront le risque de choc électrique.
- ▶ **Éviter le contact physique avec des surfaces mises à la terre tels que tuyaux, radiateurs, cuisinières et réfrigérateurs.** Il y a un risque élevé de choc électrique au cas où votre corps serait relié à la terre.
- ▶ **Ne pas exposer les outils électroportatifs à la pluie ou à l'humidité.** La pénétration d'eau à l'intérieur d'un outil électroportatif augmentera le risque d'un choc électrique.
- ▶ **Ne jamais utiliser le câble de raccordement à d'autres fins que celles prévues, telles que pour porter, accrocher ou débrancher l'outil électroportatif de la prise de courant. Maintenir le câble de raccordement à l'écart de la chaleur, des parties grasses, des bords tranchants ou des parties en mouvement.** Des câbles de raccordement endommagés ou emmêlés augmentent le risque de choc électrique.
- ▶ **Si l'outil électroportatif est utilisé à l'extérieur, utiliser uniquement des câbles de rallonge homologués pour les applications extérieures.** L'utilisation d'un câble de rallonge homologué pour les applications extérieures réduit le risque d'un choc électrique.
- ▶ **Si l'utilisation de l'outil électrique dans un environnement humide ne peut pas être évitée, utiliser un interrupteur de protection contre les courants de court-circuit.** L'utilisation d'un tel interrupteur de protection réduit le risque d'une décharge électrique.

#### Sécurité des personnes

- ▶ **Rester vigilant, surveiller ce que l'on fait. Faire preuve de bon sens en utilisant l'outil électroportatif. Ne pas utiliser l'outil électroportatif en étant fatigué ou sous l'emprise de l'alcool, de drogues ou de médicaments.** Un moment d'inattention lors de l'utilisation de l'outil électroportatif peut entraîner des blessures graves.
- ▶ **Utiliser un équipement de protection personnel et toujours porter une protection pour les yeux.** Les équipements de protection personnels tels que masque antipoussière, chaussures de sécurité antidérapantes, casque de protection ou protection acoustique suivant l'utilisation de l'outil électroportatif, réduiront le risque de blessures des personnes.
- ▶ **Éviter une mise en service par mégarde. S'assurer que l'outil électroportatif est arrêté avant de le brancher à la source de courant et/ou à l'accu, de le prendre ou de le porter.** Le fait de porter l'outil électroportatif avec le doigt sur l'interrupteur ou de brancher l'appareil sur la source de courant lorsque l'interrupteur est en position de fonctionnement peut entraîner des accidents.
- ▶ **Retirer tout outil de réglage ou toute clé avant de mettre l'outil électroportatif en fonctionnement.** Une clé ou un outil se trouvant sur une partie en rotation peut causer des blessures.
- ▶ **Adopter une bonne posture. Veiller à toujours garder une position stable et équilibrée.** Cela permet un meilleur contrôle de l'outil électroportatif dans des situations inattendues.
- ▶ **S'habiller de manière adaptée. Ne pas porter de vêtements amples ni de bijoux. Garder les cheveux, les vêtements et les gants à distance des parties en mouvement.** Des vêtements amples, des bijoux ou des cheveux longs peuvent être happés par des parties en mouvement.



- ▶ **Si des dispositifs servant à aspirer ou à recueillir les poussières doivent être utilisés, s'assurer qu'ils sont effectivement raccordés et correctement utilisés.** L'utilisation d'un dispositif d'aspiration de la poussière peut réduire les risques dus aux poussières.
- ▶ **Ne pas sous-estimer les mesures de sécurité à prendre et ne pas ignorer sciemment les règles de sécurité applicables aux outils électriques, même si l'on est utilisateur chevronné après de fréquentes utilisations de l'outil électroportatif.** Un manque d'attention peut conduire à de graves blessures en quelques fractions de seconde.

#### Utilisation et maniemment de l'outil électroportatif

- ▶ **Ne pas forcer l'appareil. Utiliser l'outil électroportatif adapté au travail à effectuer.** Un outil électroportatif approprié réalisera mieux le travail et de manière plus sûre au régime pour lequel il a été conçu.
- ▶ **Ne pas utiliser d'outil électroportatif dont l'interrupteur est défectueux.** Tout outil électroportatif qui ne peut plus être mis en ou hors fonctionnement est dangereux et doit être réparé.
- ▶ **Débrancher la fiche de la prise de courant et/ou l'accu amovible avant d'effectuer des réglages sur l'appareil, de changer les accessoires, ou de ranger l'appareil.** Cette mesure de précaution empêche une mise en fonctionnement par mégarde de l'outil électroportatif.
- ▶ **Conserver les outils électroportatifs non utilisés hors de portée des enfants. Ne permettre l'utilisation de l'appareil à aucune personne qui ne soit pas familiarisée avec celui-ci ou qui n'a pas lu ces instructions.** Les outils électroportatifs sont dangereux lorsqu'ils sont entre les mains de personnes non initiées.
- ▶ **Prendre soin des outils électroportatifs et des accessoires. Vérifier que les parties en mouvement fonctionnent correctement et qu'elles ne sont pas coincées, et contrôler si des parties sont cassées ou endommagées de sorte que le bon fonctionnement de l'outil électroportatif s'en trouve entravé. Faire réparer les parties endommagées avant d'utiliser l'appareil.** De nombreux accidents sont dus à des outils électroportatifs mal entretenus.
- ▶ **Garder les outils de coupe affûtés et propres.** Des outils destinés à couper correctement entretenus avec des arêtes de coupe tranchantes sont moins susceptibles de bloquer et sont plus faciles à contrôler.
- ▶ **L'outil électroportatif, les accessoires, les outils amovibles, etc. doivent être utilisés conformément à ces instructions. Tenir également compte des conditions de travail et du travail à réaliser.** L'utilisation des outils électroportatifs à d'autres fins que celles prévues peut entraîner des situations dangereuses.
- ▶ **Veiller à ce que les poignées et surfaces de préhension soient toujours être sèches, propres et exemptes de traces de graisse ou d'huile.** Avec des poignées et surfaces de préhension glissantes, la sécurité et le contrôle de l'outil électroportatif ne peuvent être assurés dans des situations inopinées.

#### Utilisation et maniemment de l'outil sur accu

- ▶ **Ne charger les accus que dans des chargeurs recommandés par le fabricant.** Si un chargeur approprié à un type spécifique d'accus est utilisé avec des accus non recommandés pour celui-ci, il y a risque d'incendie.
- ▶ **Dans les outils électroportatifs, utiliser uniquement les accus spécialement prévus pour ceux-ci.** L'utilisation de tout autre accu peut entraîner des blessures et des risques d'incendie.
- ▶ **Tenir l'accu non utilisé à l'écart de tous objets métalliques tels qu'agrafes, pièces de monnaie, clés, clous, vis ou autres, étant donné qu'un pontage peut provoquer un court-circuit.** Un court-circuit entre les contacts d'accu peut provoquer des brûlures ou un incendie.
- ▶ **En cas d'utilisation abusive, du liquide peut sortir de l'accu. Éviter tout contact avec ce liquide. En cas de contact par mégarde, rincer soigneusement avec de l'eau. Au cas où le liquide rentrerait dans les yeux, consulter en plus un médecin.** Le liquide qui sort de l'accu peut entraîner des irritations de la peau ou causer des brûlures.
- ▶ **Ne pas utiliser d'accu endommagé ou modifié.** Des accus endommagés ou modifiés peuvent avoir un comportement imprévisible et provoquer un incendie, une explosion ou engendrer un risque de blessures.
- ▶ **Ne jamais exposer l'accu au feu ou à des températures trop élevées.** Le feu ou des températures supérieures à 130 °C (265 °F) peuvent provoquer une explosion.
- ▶ **Suivre toutes les instructions de charge et ne jamais charger l'accu ou l'outil sur accu hors de la plage de températures spécifiée dans le manuel d'utilisation.** Une charge inappropriée ou hors de la plage de températures spécifiée risque d'endommager l'accu et accroître le risque d'incendie.

#### Service

- ▶ **L'outil électroportatif doit uniquement être réparé par un personnel qualifié et seulement avec des pièces de rechange d'origine.** Ceci permet d'assurer la sécurité de l'appareil.
- ▶ **Ne jamais entretenir d'accus endommagés.** Toutes les opérations d'entretien sur des accus doivent exclusivement être réalisées par le fabricant ou un prestataire de service client agréé.



## 2.2 Indications générales de sécurité applicables aux burineurs

- ▶ **Porter un casque antibruit.** Le bruit peut entraîner des pertes auditives.
- ▶ **Utiliser la poignée supplémentaire livrée avec l'appareil.** La perte de contrôle peut entraîner des blessures.
- ▶ **Tenir l'appareil par les surfaces isolées des poignées lors des travaux pendant lesquels l'outil utilisé risque de toucher des câbles électriques cachés.** Le contact avec un câble sous tension risque de mettre les parties métalliques de l'appareil sous tension et de provoquer une décharge électrique.

## 2.3 Consignes de sécurité supplémentaires

### Sécurité des personnes

- ▶ Utiliser le produit et les accessoires uniquement s'ils sont en parfait état.
- ▶ Ne jamais entreprendre de manipulation ni de modification sur le produit ou les accessoires.
- ▶ Porter des gants de protection pour changer d'outil, car l'outil amovible et le porte-outil peuvent être très chaud après utilisation.
- ▶ Du fait de ses applications, le produit possède un couple de rotation élevé. Toujours tenir le produit des deux mains par les poignées prévues à cet effet. L'utilisateur doit être préparé à l'éventualité d'un blocage soudain de l'outil.
- ▶ S'assurer que la poignée latérale est bien montée et correctement serrée. Toujours saisir la poignée latérale de l'extérieur.
- ▶ Il y a un risque de projection d'éclats de matériau lors de l'usinage. Les éclats de matériau peuvent entraîner des blessures corporelles et aux yeux. Pendant l'utilisation du produit, porter des lunettes de protection, un casque de protection et un casque antibruit. Si aucun dispositif d'aspiration des poussières n'est utilisé, porter en outre un masque respiratoire léger.
- ▶ Lors de travaux d'ajourage, protéger l'espace du côté opposé aux travaux. Des morceaux de matériaux risquent d'être éjectés et / ou de tomber, et de blesser d'autres personnes.
- ▶ Lors du burinage de plafonds, de murs et de planchers, veiller à conserver une position sûre et stable. Une percée soudaine peut déséquilibrer l'opérateur.
- ▶ Éviter de toucher des pièces en rotation – Risque de blessures !
- ▶ Gardez toujours les ouïes d'aération dégagées. Risque de brûlures si les ouïes d'aération sont couvertes !
- ▶ Ne mettre le produit en marche qu'après l'avoir mis en position de travail.
- ▶ Ne pas travailler dans un environnement très poussiéreux.
- ▶ La poussière générée par le meulage, le ponçage, le troncçonnage et le forage peut contenir des produits chimiques dangereux. Par exemple : plomb ou peinture à base de plomb ; brique, béton et autres produits de maçonnerie, pierre naturelle et autres produits contenant des silicates ; certains bois, tels que le chêne, le hêtre et le bois traité chimiquement ; amiante ou matériaux contenant de l'amiante. Déterminer l'exposition de l'opérateur et personnes se trouvant dans l'entourage en fonction de la classe de danger des matériaux traités. Prendre les mesures nécessaires pour maintenir l'exposition à un niveau sûr, par exemple en utilisant un système de collecte des poussières ou en portant une protection respiratoire appropriée. Mesures générales visant à réduire l'exposition :
  - ▶ Travailler dans un endroit bien ventilé
  - ▶ Éviter le contact prolongé avec la poussière
  - ▶ Faire en sorte que la poussière soit dirigée loin du visage et du corps
  - ▶ Porter des vêtements de protection et laver les zones exposées à l'eau et au savon
- ▶ Faire régulièrement des pauses et des exercices pour favoriser l'irrigation sanguine dans les doigts. En cas de travaux prolongés, les fortes vibrations peuvent perturber la circulation dans les vaisseaux sanguins ou le système nerveux dans les doigts, les mains ou le poignet.
- ▶ Ne jamais regarder directement dans la lumière (LED) et ne jamais orienter la lumière directement dans le visage d'une personne. Il y a un risque d'éblouissement.
- ▶ Éviter toute pénétration d'humidité. Un court-circuit causé par l'humidité peut entraîner un incendie ou des brûlures.
- ▶ Risque de blessures dues à la chute d'outils et/ou d'accessoires. Avant de commencer à travailler, contrôler si l'accu et l'accessoire monté sont solidement fixés.
- ▶ Ne pas fixer de mousqueton de ceinture à ce produit.

### Sécurité relative au système électrique

- ▶ Avant d'entamer le travail, vérifier qu'il n'y a pas de câbles ou gaines électriques, tuyaux de gaz ou d'eau cachés dans la zone d'intervention. Les parties métalliques externes du produit peuvent provoquer un choc électrique ou une explosion si vous endommagez une ligne électrique, une conduite de gaz ou une conduite d'eau.



**Utilisation et emploi soigneux de l'outil électroportatif**

- ▶ Arrêter immédiatement le produit si l'outil se bloque. Le produit peut dévier latéralement.
- ▶ Attendre jusqu'à ce que le produit soit complètement arrêté avant de le déposer.

**2.4 Utilisation et emploi soigneux des batteries**

- ▶ **Respecter les consignes de sécurité suivantes relatives à la manipulation et à l'utilisation des accus Li-Ion.** Le non-respect de telles mesures risque de provoquer des irritations cutanées, des blessures graves corrosives, des brûlures chimiques, des incendies et/ou des explosions.
- ▶ Utiliser les accus uniquement dans un état techniquement impeccable.
- ▶ Traiter les accus avec soin pour éviter les endommagement et les fuites de liquides très nocifs pour la santé !
- ▶ Les accus ne doivent en aucun cas être modifiés ou manipulés !
- ▶ Les accus ne doivent pas être démontés, écrasés, chauffés à une température supérieure à 80 °C (176 °F) ou jetés au feu.
- ▶ Ne pas utiliser ni recharger d'accus ayant subi un choc ou ayant été endommagés de quel-qu' autre manière. Vérifier régulièrement l'absence de traces d'endommagement sur les accus.
- ▶ Ne jamais utiliser d'accus recyclés ou réparés.
- ▶ Ne jamais utiliser l'accu ni aucun outil électrique sans fil comme outil de percussion.
- ▶ Ne jamais exposer les accus à un rayonnement direct du soleil, des températures élevées, des étincelles ou des flammes nues. Il y a alors risque d'explosions.
- ▶ Ne jamais toucher les pôles avec les doigts, des outils, des bijoux ou tout autre objet métallique. Cela peut endommager l'accu et entraîner des dommages matériels et des blessures.
- ▶ Maintenir les accus à l'abri de la pluie, de l'humidité et des liquides. Toute pénétration d'humidité risque de provoquer un court-circuit, des chocs électriques, des brûlures, des incendies ou des explosions.
- ▶ Utiliser exclusivement les chargeurs et outils électriques prévus pour le type d'accu considéré. Respecter à ce sujet les indications du mode d'emploi correspondant.
- ▶ Ne pas utiliser ni stocker l'accu dans des environnements présentant des risques d'explosion.
- ▶ Si l'accu est trop chaud pour être touché, il est probablement défectueux. Placer l'accu dans un endroit bien visible, non inflammable et suffisamment éloigné de matériaux inflammables. Laisser l'accu refroidir. Si, après une heure, l'accu est toujours trop chaud pour être saisi, c'est qu'il est défectueux. Contacter le service après-vente **Hilti** ou consulter le document « Instructions de sécurité et d'utilisation pour les accus Li-Ion **Hilti** ».



Respecter les directives spécifiques pour le transport, le stockage et l'utilisation d'accus Li-Ion.  
→ Page 24

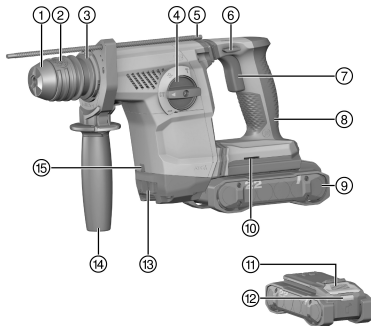
Lire les remarques relatives à la sécurité et à l'utilisation des accus Li-Ion **Hilti** que vous trouverez en scannant le code QR à la fin de ce mode d'emploi.





### 3 Description

#### 3.1 Vue d'ensemble du produit



- ① Protection anti-poussière
- ② Dispositif de verrouillage de la lame / porte-lame
- ③ Raccord pour le module récupérateur de poussières
- ④ Sélecteur de fonction
- ⑤ Butée de profondeur
- ⑥ Inverseur du sens de rotation droite / gauche avec protection de transport
- ⑦ Variateur électronique de vitesse
- ⑧ Poignée
- ⑨ Accu
- ⑩ Ouverture de montage pour les accessoires
- ⑪ Bouton de déverrouillage de l'accu
- ⑫ Indicateur d'état - Accu
- ⑬ Raccord pour le récupérateur de poussières TE DRS-4/6 (01)
- ⑭ Poignée latérale
- ⑮ Éclairage du champ de travail (DEL)

#### 3.2 Utilisation conforme à l'usage prévu

Le produit décrit est un perforateur-burineur sur accu SDS-Plus. Il est conçu pour percer dans de l'acier, du bois et de la maçonnerie, percer avec percussion dans du béton et de la maçonnerie et pour serrer et desserrer de la visserie. Le produit peut également être utilisé pour les travaux de burinage légers sur maçonnerie et pour les retouches sur béton.

- Pour ce produit, utiliser exclusivement des accus Li-Ion **Hilti** Nuron de la série B 22. Pour une puissance optimale, **Hilti** recommande pour ce produit les accus indiqués dans le tableau à la fin de ce mode d'emploi.
- Pour ces accus, n'utiliser que des chargeurs **Hilti** des séries indiquées dans le tableau à la fin de ce mode d'emploi.

#### 3.3 Éléments livrés

Perforateur-burineur SDS-Plus, poignée latérale, butée de profondeur, graisse, mode d'emploi.

Le module récupérateur de poussière TE DRS-4/6 (01) proposé comme accessoire et permet de travailler sans poussières.

D'autres produits système pour votre produit peuvent être trouvés dans votre **Hilti Store** ou à l'adresse : [www.hilti.group](http://www.hilti.group)

#### 3.4 Affichages de l'accu Li-Ion

Les accus Li-Ion **Hilti** Nuron peuvent afficher l'état de charge, les messages d'erreur et l'état de l'accu.

##### 3.4.1 Affichages de l'état de charge et des messages d'erreur

#### AVERTISSEMENT

##### Risque de blessures en cas de chute de l'accu !

- ▶ Lorsque l'accu est inséré et après avoir appuyé sur la touche de déverrouillage, s'assurer que l'accu est correctement réenclenché dans le produit utilisé.

Pour consulter un des affichages suivants, appuyer brièvement sur la touche de déverrouillage de l'accu. L'état de charge et les dysfonctionnements possibles sont affichés en permanence tant que le produit raccordé est allumé.

État	Signification
Quatre (4) DEL sont allumées en vert en continu	État de charge : de 100 % à 71 %



État	Signification
Trois (3) DEL sont allumées en vert en continu	État de charge : de 70 % à 51 %
Deux (2) DEL sont allumées en vert en continu	État de charge : de 50 % à 26 %
Une (1) DEL est allumée en vert en continu	État de charge : de 25 % à 10 %
Une (1) DEL clignote lentement en vert	État de charge : < 10 %
Une (1) DEL clignote rapidement en vert	L'accu Li-Ion est entièrement déchargé. Charger l'accu. Si la DEL continue de clignoter rapidement après la charge de l'accu, s'adresser au S.A.V. <b>Hilti</b> .
Une (1) DEL clignote rapidement en jaune	L'accu Li-Ion ou le produit correspondant est surchargé, trop chaud, trop froid ou il y a un autre défaut. Amener le produit et l'accu à la température de travail recommandée et ne pas surcharger le produit pendant son utilisation. Si le message ne disparaît pas, s'adresser au S.A.V. <b>Hilti</b> .
Une (1) DEL est allumée en jaune	L'accu Li-Ion ainsi que le produit connecté ne sont pas compatibles. Merci de s'adresser au S.A.V <b>Hilti</b> .
Une (1) DEL clignote rapidement en rouge	L'accu Li-Ion est verrouillé et ne peut plus être utilisé. Merci de s'adresser au S.A.V <b>Hilti</b> .

### 3.4.2 Affichages de l'état de l'accu

Pour consulter l'état de l'accu, maintenir la touche de déverrouillage enfoncée pendant plus de trois secondes. Le système ne détecte aucun dysfonctionnement potentiel de la batterie dû à une utilisation incorrecte, par ex. chute, piqûres, dommages externes dus à la chaleur, etc.

État	Signification
Toutes les DEL forment un chenillard, puis une (1) DEL est allumée en vert en continu.	L'accu peut continuer à être utilisé.
Toutes les DEL forment un chenillard, puis une (1) DEL clignote rapidement en jaune.	L'interrogation de l'état de l'accu n'a pas pu être terminée. Répéter la procédure ou s'adresser au S.A.V. <b>Hilti</b> .
Toutes les DEL forment un chenillard, puis une (1) DEL est allumée en rouge en continu.	Si un produit raccordé peut continuer à être utilisé, la capacité résiduelle de l'accu est inférieure à 50 %. Si un produit raccordé ne peut plus être utilisé, l'accu est arrivé à la fin de sa durée de vie et doit être remplacé. Merci de s'adresser au S.A.V <b>Hilti</b> .

## 4 Caractéristiques techniques

Poids sans accu	3,8 kg (8,4 lb)
Énergie libérée par coup selon la procédure EPTA 05	2,6 J
Plage de perçage dans le béton/la brique (perçage avec percussion)	1/8 in ... 1 in
Température de service en cours de service	-17 °C ... 60 °C (1 °F ... 140 °F)
Température de stockage	-20 °C ... 70 °C (-4 °F ... 158 °F)



#### 4.1 Batterie

Tension nominale de l'accu	21,6 V
Poids de l'accu	Voir à la fin de ce mode d'emploi
Température de service en cours de service	-17 °C ... 60 °C (1 °F ... 140 °F)
Température de stockage	-20 °C ... 40 °C (-4 °F ... 104 °F)
Température de l'accu au début de la charge	-10 °C ... 45 °C (14 °F ... 113 °F)

## 5 Préparatifs



### AVERTISSEMENT

#### Risque de blessures du fait d'une mise en marche inopinée !

- ▶ Avant d'insérer l'accu, s'assurer que le produit correspondant est bien sur arrêt.
- ▶ Retirer le bloc-accu, avant d'effectuer des réglages sur l'appareil ou de changer les accessoires.

Bien respecter les consignes de sécurité et les avertissements de la présente documentation ainsi que celles figurant sur le produit.

#### 5.1 Recharge de l'accu

1. Avant de commencer la charge, lire le mode d'emploi du chargeur.
2. Veiller à ce que les contacts de l'accu et du chargeur sont propres et secs.
3. Charger l'accu à l'aide d'un chargeur homologué. → Page 19

#### 5.2 Introduction de l'accu



### AVERTISSEMENT

#### Risque de blessures du fait d'un court-circuit ou de la chute de l'accu !

- ▶ Avant d'insérer l'accu dans l'appareil, s'assurer que les contacts de l'accu et les contacts sur le produit sont exempts de corps étrangers.
- ▶ S'assurer que l'accu s'encliquette toujours correctement.

1. L'accu doit être entièrement chargé avant la première mise en service.
2. Introduire l'accu dans le produit jusqu'à ce qu'il s'enclenche de manière audible.
3. Vérifier que l'accu est bien en place.

#### 5.3 Retrait de l'accu

1. Appuyer sur la touche de déverrouillage de l'accu.
2. Retirer l'accu hors du produit.

#### 5.4 Montage de la poignée latérale

1. Tourner le dispositif de serrage (collier de serrage) sur la poignée latérale pour desserrer.
2. Pousser le dispositif de serrage (collier de serrage) vers l'avant sur le porte-outil jusqu'à la rainure prévue à cet effet.
3. Placer la poignée latérale dans la position souhaitée.
4. Tourner le dispositif de serrage (collier de serrage) sur la poignée latérale pour serrer.

#### 5.5 Mise en place de l'outil amovible



Graisser légèrement l'emmanchement de l'outil amovible.

Utiliser exclusivement de la graisse Hilti d'origine. Une graisse inadéquate peut provoquer des dommages sur le produit.



1. Emmancher l'outil amovible à fond dans le porte-outil et le tourner en appuyant légèrement jusqu'à ce qu'il s'encliquette de manière audible.
2. Une fois mis en place, vérifier que l'outil est bien serré dans le dispositif de verrouillage en tirant dessus.
  - ▶ Le produit est prêt à fonctionner.

## 5.6 Retrait de l'outil amovible

### ATTENTION

**Risque de blessures entraînées par l'outil amovible !** L'outil amovible peut être brûlant ou présenter des arêtes vives.

- ▶ Porter des gants de protection pour changer d'outil amovible.

1. Retirer le dispositif de verrouillage de l'outil jusqu'à la butée.
2. Retirer l'outil amovible.

## 5.7 Montage et ajustage de la butée de profondeur

1. Appuyer sur la touche de déverrouillage sur la poignée latérale et la maintenir enfoncée.
2. Faire glisser la jauge de profondeur par l'avant dans l'alésage prévu à cet effet sur la poignée latérale. Régler la butée de profondeur sur la profondeur de perçage souhaitée.
3. Relâcher la touche de déverrouillage.
  - ▶ La butée de profondeur est verrouillée.

## 5.8 Sécurité anti-chute

### AVERTISSEMENT

**Risque de blessures** en cas de chute de l'outil et/ou des accessoires !

- ▶ Utiliser uniquement la longue porte-outil **Hilti** recommandée pour votre produit.
- ▶ Contrôler l'état du point de fixation de la longue porte-outil avant chaque utilisation.



Respecter les directives nationales en vigueur pour les travaux en hauteur.

En tant que protection anti-chute pour ce produit, utiliser exclusivement une combinaison de la sécurité anti-chute **Hilti** avec la longue porte-outil **Hilti** #2261970.

- ▶ Fixer la sécurité anti-chute dans les ouvertures de montage pour accessoires. Vérifier qu'elle tient bien.
- ▶ Fixer un mousqueton de la longue porte-outil dans la sécurité anti-chute et le second mousqueton sur une structure porteuse. Vérifier qu'elle tient bien.



Respecter les modes d'emploi de la sécurité anti-chute **Hilti** et de la longue porte-outil **Hilti**.

## 6 Utilisation

Bien respecter les consignes de sécurité et les avertissements de la présente documentation ainsi que celles figurant sur le produit.

### 6.1 Mise en marche et à l'arrêt

1. Pour mettre le produit en marche, appuyer sur l'interrupteur de commande.
  - ▶ La vitesse de rotation est augmentée progressivement selon la pression exercée sur le variateur de vitesse.
2. Relâcher l'interrupteur de commande pour arrêter le produit.

### 6.2 Sens de rotation

- ▶ Régler le sens de rotation.
  - ▶ L'interrupteur s'encliquette dans cette position.



### 6.3 Sélecteur de fonction

Régler le sélecteur de fonction sur la fonction souhaitée.

**Risque d'endommagement !** Le sélecteur de fonction ne doit pas être actionné pendant le fonctionnement.

#### Perçage sans percussion

- Tourner le sélecteur de fonction sur .

#### Perçage avec percussion

- Tourner le sélecteur de fonction sur .

#### Positionnement du burin

- Tourner le sélecteur de fonction sur .

#### Burinage

- Tourner le sélecteur de fonction sur .

## 7 Accessoires optionnels

### 7.1 Récupérateur de poussières TE DRS-46 (01)

Le récupérateur de poussières TE DRS-46 (01) est un accessoire conçu pour le perforateur-burineur SDS-Plus. Il permet de collecter la majeure partie des poussières et se fixe facilement et rapidement au perforateur-burineur SDS-Plus. Le module récupérateur de poussières contient un ventilateur aspirant entraîné par son propre moteur. Lors de la mise en marche du perforateur-burineur SDS-Plus, le module prélève son courant depuis l'accu du perforateur-burineur SDS-Plus.

Le module récupérateur de poussières ne convient pas pour l'usinage du métal et du bois.

Conditions: TE DRS-46 (01) OSHA

Le TE DRS-46 (01) OSHA est conforme à la directive OSHA 1926.1153 Table 1. Il est équipé d'un mécanisme de nettoyage du filtre.

### 7.2 Montage du module récupérateur de poussières pour des travaux au plafond

1. Emmancher l'outil amovible. → Page 21
2. Pousser le module récupérateur de poussières sur le porte-outil et l'insérer dans les rainures du boîtier du perforateur-burineur SDS-Plus.
3. Tourner le module récupérateur de poussières dans le sens inverse des aiguilles d'une montre pour le verrouiller.

## 8 Nettoyage et entretien

### AVERTISSEMENT

**Risque de blessures lorsque l'accu est inséré !**

- ▶ Toujours retirer l'accu avant tous travaux de nettoyage et d'entretien !

#### Entretien du produit

- Éliminer avec précaution les saletés récalcitrantes.
- Le cas échéant, nettoyer soigneusement les ouïes d'aération à l'aide d'une brosse sèche et douce.
- Nettoyer le carter de l'appareil uniquement avec un chiffon légèrement humide. Ne pas utiliser de nettoyeurs à base de silicone car ceci pourrait attaquer les pièces en plastique.
- Utiliser un chiffon propre et sec pour nettoyer les contacts du produit.

#### Entretien des accus Li-ion

- Ne jamais utiliser un accu dont les ouïes d'aération sont bouchées. Nettoyer soigneusement les ouïes d'aération à l'aide d'une brosse sèche et douce.
- Éviter d'exposer inutilement l'accu à la poussière ou à la saleté. Ne jamais exposer l'accu à une forte humidité (par exemple en l'immergeant dans de l'eau ou en le laissant sous la pluie).  
Si l'accu a été trempé, le traiter comme un accu endommagé. L'isoler dans un récipient ininflammable et s'adresser au S.A.V. Hilti.



- Veiller à ce que l'accu soit toujours exempt de traces de graisse et d'huile étrangères. Ne pas laisser de la poussière ou de la saleté s'accumuler inutilement sur l'accu. Nettoyer l'accu avec une brosse sèche et douce ou un chiffon propre et sec. Ne pas utiliser de nettoyeurs à base de silicone car ceci pourrait attaquer les pièces en plastique.  
Ne pas toucher les contacts de l'accu et ne pas enlever la graisse appliquée en usine sur les contacts.
- Nettoyer le carter de l'appareil uniquement avec un chiffon légèrement humide. Ne pas utiliser de nettoyeurs à base de silicone car ceci pourrait attaquer les pièces en plastique.

#### Entretien

- Vérifier régulièrement qu'aucune pièce visible n'est endommagée et que les organes de commande sont parfaitement opérationnels.
- Ne pas utiliser le produit en cas d'endommagements et/ou de dysfonctionnements. Faire immédiatement réparer le produit par le S.A.V. Hilti.
- Après des travaux de nettoyage et d'entretien, vérifier si tous les équipements de protection sont bien en place et fonctionnent parfaitement.



Pour une utilisation en toute sécurité, utiliser uniquement des pièces de rechange et consommables d'origine. Vous trouverez les pièces de rechange, consommables et accessoires autorisés par Hilti convenant pour votre produit dans le centre **Hilti Store** ou sous : [www.hilti.group](http://www.hilti.group)

### 8.1 Nettoyage de la protection anti-poussière

- ▶ Nettoyer régulièrement la protection anti-poussière au niveau du mandrin au moyen d'un chiffon propre et sec.
- ▶ Essuyer la lèvres d'étanchéité avec précaution et la graisser à nouveau légèrement avec de la graisse Hilti.
- ▶ Si la lèvres d'étanchéité est endommagée, remplacer impérativement la protection anti-poussière.

## 9 Transport et stockage des outils sur accu et des accus

### Transport

#### ATTENTION

#### Mise en marche inopinée lors du transport !

- ▶ Toujours retirer les accus avant de transporter les produits !
- ▶ Retirer le ou les accus.
- ▶ Ne jamais transporter les accus en vrac. Pendant le transport, les accus doivent être protégés des vibrations et chocs excessifs, isolés de tout matériau conducteur ou autre accu, pour éviter qu'ils n'entrent en contact avec d'autres pôles de batterie et qu'ils provoquent un court-circuit. **Tenir compte des prescriptions locales pour le transport d'accus.**
- ▶ Ne pas envoyer les accus par la poste. S'adresser à un service d'expédition s'il faut envoyer des accus non endommagés.
- ▶ Contrôler l'état du produit et des accus avant chaque utilisation, ainsi qu'avant et après tout transport prolongé.

### Stockage

#### AVERTISSEMENT

#### Endommagement involontaire du fait d'accus défectueux ou de chute d'accu !

- ▶ Toujours retirer les accus avant de stocker les produits !
- ▶ Stocker si possible le produit et les accus dans un endroit sec et frais. Respecter les valeurs limites de température indiquées dans les caractéristiques techniques.
- ▶ Ne pas stocker les accus sur le chargeur. Retirer toujours l'accu du chargeur après la charge.
- ▶ Ne jamais stocker les accus exposés au soleil, sur des sources de chaleur ou derrière des vitres.
- ▶ Stocker le produit et les accus à l'abri des enfants et des personnes non autorisées.
- ▶ Contrôler l'état du produit et des accus avant chaque utilisation, ainsi qu'avant et après tout stockage prolongé.



## 10 Aide au dépannage

Pour toutes les défaillances, tenir compte de l'indicateur d'état de charge et d'erreurs de l'accu. Voir le chapitre **Affichages de l'accu Li-Ion**.

En cas de défaillances non énumérées dans ce tableau ou auxquelles il n'est pas possible de remédier sans aide, contacter le S.A.V. **Hilti**.

Défaillance	Causes possibles	Solution
Impossible d'enfoncer le variateur électronique de vitesse ou le variateur est bloqué.	Inverseur du sens de rotation droite / gauche sur la position médiane.	► Pousser l'inverseur du sens de rotation droite / gauche vers la droite ou la gauche.
La broche de l'appareil ne tourne pas.	L'accu n'est pas complètement encliqueté.	► Encliqueter l'accu d'un clic audible.
	Inverseur du sens de rotation droite / gauche sur la position médiane.	► Pousser l'inverseur du sens de rotation droite / gauche vers la droite ou la gauche.
	Sélecteur de fonction pas enclenché ou se trouvant sur la position "Burinage" <b>T</b> ou la position "Positionnement du burin" <b>→</b> .	► Tourner le sélecteur de fonction à l'arrêt sur la position "Perçage sans percusion" <b>↯</b> ou "Perçage avec percusion" <b>↯T</b> .
Absence de percusion.	Produit trop froid.	► Poser le produit sur le matériau support et le laisser tourner à vide. Répéter si nécessaire jusqu'à ce que le mécanisme de frappe fonctionne.
	Sélecteur de fonction sur "Perçage sans percusion" <b>↯</b> .	► Tourner le sélecteur de fonction sur "Perçage avec percusion" <b>↯T</b> .
L'accu se vide plus rapidement que d'habitude.	L'état de l'accu n'est pas optimal.	► Interroger l'état de l'accu. → Page 19
L'accu ne s'encliquette pas avec un clic audible.	Ergot d'encliquetage encrassé sur l'accu.	► Nettoyer l'ergot d'encliquetage et réinsérer l'accu.
Les DEL de l'accu n'indiquent rien	L'accu est défectueux	► S'adresser au S.A.V. <b>Hilti</b> .
Important dégagement de chaleur dans le produit ou l'accu.	Défaut électrique	► Arrêter immédiatement le produit. Retirer l'accu et l'examiner. Le laisser refroidir. Contacter le S.A.V. <b>Hilti</b> .
L'outil ne sort pas du dispositif de verrouillage.	Le mandrin n'est pas complètement ouvert.	► Retirer le dispositif de verrouillage de l'outil jusqu'à la butée et sortir l'outil.
L'outil ne perce pas.	Le produit est réglé sur le sens de rotation gauche.	► Mettre l'inverseur du sens de rotation droite / gauche sur rotation droite.
	Sélecteur de fonction sur "Perçage sans percusion" <b>↯</b> .	► Tourner le sélecteur de fonction sur "Perçage avec percusion" <b>↯T</b> .

## 11 Recyclage




### AVERTISSEMENT

**Risque de blessures en cas d'élimination incorrecte !** Émanations possibles de gaz et de liquides nocives pour la santé.

- Ne pas envoyer ni expédier d'accus endommagés !
- Recouvrir les raccordements avec un matériau non conducteur pour éviter tout court-circuit.
- Éliminer les accus en veillant à ce qu'ils soient hors de la portée des enfants.
- Éliminer l'accu en le déposant auprès du **Hilti Store** local ou s'adresser à l'entreprise de collecte des déchets compétente.



 Les produits **Hilti** sont fabriqués pour une grande partie en matériaux recyclables. Le recyclage pré suppose un tri adéquat des matériaux. **Hilti** reprend les appareils usagés dans de nombreux pays en vue de leur recyclage. Consulter le service clients **Hilti** ou un conseiller commercial.



- ▶ Ne pas jeter les appareils électriques, électroniques et accus dans les ordures ménagères !

## 12 Garantie constructeur

- ▶ En cas de questions sur les conditions de garantie, veuillez vous adresser à votre partenaire **Hilti** local.

## 13 Informations complémentaires

Des informations complémentaires concernant l'utilisation, la technique, l'environnement et le recyclage sont disponibles sous le lien ci-dessous : [qr.hilti.com/manual?id=2264936](http://qr.hilti.com/manual?id=2264936)

Ce lien figure également à la fin de la documentation sous forme de code QR.

# Manual de instrucciones original

## 1 Información sobre la documentación

### 1.1 Acerca de esta documentación

- Lea detenidamente esta documentación antes de la puesta en servicio. Ello es imprescindible para un trabajo seguro y un manejo sin problemas.
- Respete las indicaciones de seguridad y las advertencias presentes en esta documentación y en el producto.
- Conserve este manual de instrucciones siempre junto con el producto y entregue el producto a otras personas siempre acompañado del manual.

### 1.2 Explicación de símbolos

#### 1.2.1 Avisos

Las advertencias de seguridad advierten de peligros derivados del manejo del producto. Se utilizan las siguientes palabras de peligro:



**PELIGRO**

**PELIGRO !**

- ▶ Término utilizado para un peligro inminente que puede ocasionar lesiones graves o incluso la muerte.



**ADVERTENCIA**

**ADVERTENCIA !**

- ▶ Término utilizado para un posible peligro que puede ocasionar lesiones graves o incluso la muerte.



**PRECAUCIÓN**

**PRECAUCIÓN !**

- ▶ Término utilizado para una posible situación peligrosa que puede ocasionar lesiones o daños materiales.

#### 1.2.2 Símbolos en el manual de instrucciones

En este manual de instrucciones se utilizan los siguientes símbolos:



Consulte el manual de instrucciones



Indicaciones de uso y demás información de interés



Manejo con materiales reutilizables





	No tire las herramientas eléctricas y las baterías junto con los desperdicios domésticos
	<b>HilTi</b> Batería de Ion-Litio
	<b>HilTi</b> Cargador

### 1.2.3 Símbolos en las figuras

En las figuras se utilizan los siguientes símbolos:

	Estos números hacen referencia a la figura correspondiente incluida al principio de este manual de instrucciones.
3	La numeración describe el orden de los pasos de trabajo en la imagen y puede ser diferente de los pasos descritos en el texto.
	En la figura <b>Vista general</b> se utilizan números de posición y los números de la leyenda están explicados en el apartado <b>Vista general del producto</b> .
	Preste especial atención a este símbolo cuando utilice el producto.

## 1.3 Símbolos del producto

### 1.3.1 Símbolos en el producto

En el producto se pueden utilizar los siguientes símbolos:

	El producto es apto para tecnología NFC, que es compatible con las plataformas iOS y Android.
	Taladrar sin percusión
	Taladrar con percusión (taladrar con martillo)
	Colocar cincel
	Cincelar
	Giro derecha/izquierda
$n_0$	Número de referencia de revoluciones en vacío
	Corriente continua
Li-Ion	Batería de Ion-Litio
	Nunca utilice la batería como herramienta de percusión.
	No deje que la batería se caiga. No utilice baterías que hayan recibido algún golpe ni que estén dañadas de alguna otra forma.
	Serie utilizada de baterías de Ion-Litio <b>HilTi</b> . Consulte las indicaciones recogidas en el capítulo <b>Uso conforme a las prescripciones</b> .
	Si está en el producto, significa que el organismo de certificación lo ha certificado para el mercado estadounidense y canadiense según las normas vigentes.

## 1.4 Información del producto

Los productos han sido diseñados para usuarios profesionales y solo personal autorizado y debidamente formado puede utilizarlos y llevar a cabo su mantenimiento y conservación. Este personal debe estar especialmente instruido en lo referente a los riesgos de uso. La utilización del producto y sus dispositivos auxiliares puede conllevar riesgos para el usuario en caso de manejarse de forma inadecuada por personal no cualificado o utilizarse para usos diferentes a los que están destinados.

La denominación del modelo y el número de serie están indicados en la placa de identificación.



- ▶ Escriba el número de serie en la siguiente tabla. Necesitará los datos del producto para realizar consultas a nuestros representantes o al Departamento de Servicio Técnico.

#### Datos del producto

Martillo perforador SDS-Plus	TE 6-22
Generación	05
N.º de serie	

## 2 Seguridad

### 2.1 Indicaciones generales de seguridad para herramientas eléctricas

**⚠ ADVERTENCIA** Lea con atención todas las indicaciones de seguridad, instrucciones, ilustraciones y datos técnicos correspondientes a esta herramienta eléctrica. La negligencia en el cumplimiento de las instrucciones que se describen a continuación podría provocar descargas eléctricas, incendios o lesiones graves.

**Conservar todas las instrucciones e indicaciones de seguridad para futuras consultas.**

El término «herramienta eléctrica» empleado en las indicaciones de seguridad se refiere a herramientas eléctricas portátiles, ya sea con cable de red o sin cable, en caso de ser accionadas por batería.

#### Seguridad en el puesto de trabajo

- ▶ **Mantenga su área de trabajo limpia y bien iluminada.** El desorden o una iluminación deficiente de las zonas de trabajo pueden provocar accidentes.
- ▶ **No utilice la herramienta eléctrica en un entorno con peligro de explosión en el que se encuentren líquidos, gases o polvos inflamables.** Las herramientas eléctricas producen chispas que pueden llegar a inflamar los materiales en polvo o vapores.
- ▶ **Mantenga alejados a los niños y otras personas de su puesto de trabajo al emplear la herramienta eléctrica.** Una distracción le puede hacer perder el control sobre la herramienta.

#### Seguridad eléctrica

- ▶ **El enchufe de la herramienta eléctrica debe corresponder a la toma de corriente utilizada. No se deberá modificar el enchufe en forma alguna. No utilice enchufes adaptadores para las herramientas eléctricas con puesta a tierra.** Los enchufes sin modificar adecuados a las respectivas tomas de corriente reducen el riesgo de descarga eléctrica.
- ▶ **Evite el contacto corporal con superficies que tengan puesta a tierra, como pueden ser tubos, calefacciones, cocinas y frigoríficos.** El riesgo a quedar expuesto a una sacudida eléctrica es mayor si su cuerpo tiene contacto con tierra.
- ▶ **No exponga las herramientas eléctricas a la lluvia y evite que penetren líquidos en su interior.** El riesgo de recibir descargas eléctricas aumenta si penetra agua en la herramienta eléctrica.
- ▶ **No utilice el cable de conexión para transportar o colgar la herramienta eléctrica ni tire de él para extraer el enchufe de la toma de corriente. Mantenga el cable de conexión alejado de fuentes de calor, aceite, aristas afiladas o piezas móviles.** Los cables de conexión dañados o enredados pueden provocar descargas eléctricas.
- ▶ **Cuando trabaje al aire libre con una herramienta eléctrica, utilice exclusivamente un alargador adecuado para exteriores.** La utilización de un alargador adecuado para su uso en exteriores evita el riesgo de una descarga eléctrica.
- ▶ **Cuando no pueda evitarse el uso de la herramienta eléctrica en un entorno húmedo, utilice un interruptor de corriente de defecto.** La utilización de un interruptor de corriente de defecto evita el riesgo de una descarga eléctrica.

#### Seguridad de las personas

- ▶ **Permanezca atento, preste atención durante el trabajo y utilice la herramienta eléctrica con prudencia. No utilice una herramienta eléctrica si está cansado, ni tampoco después de haber consumido alcohol, drogas o medicamentos.** Un momento de descuido al utilizar la herramienta eléctrica podría producir graves lesiones.
- ▶ **Utilice el equipo de seguridad personal adecuado y lleve siempre gafas protectoras.** El riesgo de lesiones se reduce considerablemente si, según el tipo y la aplicación de la herramienta eléctrica empleada, se utiliza un equipo de seguridad personal adecuado como una mascarilla antipolvo, zapatos de seguridad con suela antideslizante, casco de protección o protección para los oídos.
- ▶ **Evite una puesta en servicio fortuita de la herramienta. Asegúrese de que la herramienta eléctrica está apagada antes de alzarla, transportarla, conectarla a la toma de corriente o insertar la batería.** Si transporta la herramienta eléctrica sujetándola por el interruptor de conexión/desconexión



o si introduce el enchufe en la toma de corriente con la herramienta conectada, podría producirse un accidente.

- ▶ **Retire las herramientas de ajuste o llaves fijas antes de conectar la herramienta eléctrica.** Una herramienta o llave colocada en una pieza giratoria puede producir lesiones al ponerse en funcionamiento.
- ▶ **Evite adoptar posturas forzadas. Procure que la postura sea estable y manténgase siempre en equilibrio.** De esta forma podrá controlar mejor la herramienta eléctrica en caso de presentarse una situación inesperada.
- ▶ **Utilice ropa adecuada. No utilice vestimenta amplia ni joyas. Mantenga su pelo, vestimenta y guantes alejados de las piezas móviles.** La vestimenta suelta, las joyas y el pelo largo se pueden enganchar con las piezas en movimiento.
- ▶ **Siempre que sea posible montar equipos de aspiración o captación de polvo, asegúrese de que están conectados y de que se utilizan correctamente.** El uso de un sistema de aspiración de polvo reduce los riesgos derivados del polvo.
- ▶ **No se crea a salvo de cualquier riesgo ni pase por alto ninguna de las normas de seguridad relativas a las herramientas eléctricas, aun cuando esté familiarizado con la herramienta eléctrica y tenga larga experiencia en su uso.** Una actuación negligente puede provocar lesiones graves en cuestión de segundos.

#### Uso y manejo de la herramienta eléctrica

- ▶ **No sobrecargue la herramienta. Utilice la herramienta eléctrica adecuada para el trabajo que se dispone a realizar.** Con la herramienta eléctrica apropiada podrá trabajar mejor y de modo más seguro dentro del margen de potencia indicado.
- ▶ **No utilice herramientas eléctricas con el interruptor defectuoso.** Las herramientas eléctricas que no se puedan conectar o desconectar son peligrosas y deben repararse.
- ▶ **Extraiga el enchufe de la toma de corriente o retire la batería extraíble antes de efectuar cualquier ajuste en la herramienta, cambiar accesorios o en caso de no utilizar la herramienta durante un tiempo prolongado.** Esta medida preventiva evita el riesgo de arranque accidental de la herramienta eléctrica.
- ▶ **Guarde las herramientas eléctricas que no utilice fuera del alcance de los niños. No permita utilizar la herramienta a ninguna persona que no esté familiarizada con ella o que no haya leído este manual de instrucciones.** Las herramientas eléctricas utilizadas por personas inexpertas son peligrosas.
- ▶ **Cuide su herramienta eléctrica y los accesorios adecuadamente. Compruebe si las piezas móviles de la herramienta funcionan correctamente y sin atascarse, y si existen piezas rotas o deterioradas que pudieran afectar al funcionamiento de la herramienta eléctrica. Encargue la reparación de las piezas defectuosas antes de usar la herramienta eléctrica.** Muchos accidentes son consecuencia de un mantenimiento inadecuado de la herramienta eléctrica.
- ▶ **Mantenga los útiles limpios y afilados.** Las herramientas de corte bien cuidadas y con aristas afiladas se atascan menos y se guían con más facilidad.
- ▶ **Utilice la herramienta eléctrica, los accesorios, útiles de inserción, etc., de acuerdo con estas instrucciones. Para ello, tenga en cuenta las condiciones de trabajo y la tarea que se va a realizar.** El uso de herramientas eléctricas para trabajos diferentes de aquellos para los que han sido concebidas puede resultar peligroso.
- ▶ **Mantenga las empuñaduras y las superficies de contacto secas, limpias y sin residuos de aceite o grasa.** Las empuñaduras y superficies de contacto resbaladizas impiden manejar y controlar la herramienta eléctrica con seguridad en situaciones imprevistas.

#### Uso y manejo de la herramienta de batería

- ▶ **Cargue las baterías únicamente con los cargadores recomendados por el fabricante.** Existe riesgo de incendio al intentar cargar baterías de un tipo diferente al previsto para el cargador.
- ▶ **Utilice únicamente las baterías previstas para la herramienta eléctrica.** El uso de otro tipo de baterías puede provocar daños e incluso incendios.
- ▶ **Si no utiliza la batería, guárdela separada de clips, monedas, llaves, clavos, tornillos y demás objetos metálicos que pudieran puentear sus contactos.** El cortocircuito de los contactos de la batería puede causar quemaduras o incendios.
- ▶ **La utilización inadecuada de la batería puede provocar fugas de líquido. Evite el contacto con este líquido. En caso de contacto accidental, enjuague el área afectada con abundante agua. En caso de contacto con los ojos, acuda además inmediatamente a un médico.** El líquido de la batería puede irritar la piel o producir quemaduras.
- ▶ **No utilice baterías dañadas o modificadas.** Una batería dañada o modificada puede tener un comportamiento imprevisible y provocar incendios, explosiones o riesgo de lesiones.



- ▶ **No exponga la batería al fuego o a temperaturas muy elevadas.** El fuego o las temperaturas superiores a 130 °C (265 °F) pueden provocar una explosión.
- ▶ **Siga todas las instrucciones relativas a la carga y no cargue nunca la batería o la herramienta de batería excediendo el rango de temperatura indicado en el manual de instrucciones.** Una carga incorrecta o fuera del rango de temperatura permitido puede destruir la batería y aumentar el riesgo de incendio.

### Servicio Técnico

- ▶ **Solicite que un profesional lleve a cabo la reparación de su herramienta eléctrica y que utilice exclusivamente piezas de repuesto originales.** Solamente así se garantiza la seguridad de la herramienta.
- ▶ **No realice nunca el mantenimiento de baterías dañadas.** Cualquier mantenimiento de las baterías debe llevarlo a cabo el fabricante o un centro del Servicio de Atención al Cliente autorizado.

## 2.2 Indicaciones de seguridad para martillos

- ▶ **Utilice protección para los oídos.** El ruido constante puede reducir la capacidad auditiva.
- ▶ **Utilice las empuñaduras adicionales que se suministran con la herramienta.** La pérdida del control puede causar lesiones.
- ▶ **Sujete la herramienta por las empuñaduras aisladas cuando realice trabajos en los que el útil puede entrar en contacto con cables eléctricos ocultos.** El contacto con los cables conductores puede traspasar la conductividad a las partes metálicas y producir descargas eléctricas.

## 2.3 Indicaciones de seguridad adicionales

### Seguridad de las personas

- ▶ Utilice el producto y los accesorios solo si están en perfecto estado técnico.
- ▶ No efectúe nunca manipulaciones o modificaciones en el producto ni en los accesorios.
- ▶ Utilice guantes de protección para cambiar de útil, ya que el útil de inserción y el portaútiles se calientan al usarlos.
- ▶ El producto tiene un par de giro elevado acorde con las aplicaciones. Sujete siempre el producto con ambas manos por las empuñaduras previstas. El usuario debe estar preparado para cualquier bloqueo inesperado de la herramienta.
- ▶ Asegúrese de que la empuñadura lateral esté correctamente montada y fijada conforme a las prescripciones. Sujete la empuñadura lateral siempre por la parte exterior.
- ▶ Al trabajar con el material pueden saltar astillas. Al saltar, el material puede hacer daño en los ojos y en el cuerpo. Cuando utilice el producto, lleve protección para los ojos, casco de protección y protección para los oídos. Si no utiliza ningún aspirador de polvo, utilice además una mascarilla ligera.
- ▶ Durante el proceso de taladrado, proteja la zona opuesta al lugar donde se realiza el trabajo, ya que pueden desprenderse cascotes y causar heridas a otras personas.
- ▶ Al cincelar techos, muros y suelos, mantenga siempre una posición segura y firme. Una rotura repentina podría desequilibrarle.
- ▶ Evite tocar las piezas en movimiento. Existe riesgo de lesiones.
- ▶ Mantenga siempre las rejillas de ventilación despejadas. Riesgo de quemaduras debido a rejillas de ventilación cubiertas.
- ▶ No conecte el producto hasta que este se encuentre en la posición de trabajo.
- ▶ No trabaje en un entorno donde haya mucho polvo.
- ▶ El polvo que se genera al pulir, lijar, cortar y taladrar puede contener productos químicos peligrosos, como, por ejemplo, plomo o pinturas basadas en plomo; ladrillos, hormigón y otros productos de mampostería, piedra natural y otros productos que contengan silicatos; determinadas maderas, como el roble o el haya o las maderas tratadas químicamente, o amianto o materiales que contengan asbesto. La exposición del usuario y las personas circundantes debe regularse según la clase de peligro de los materiales con los que se trabaje. Tome las medidas necesarias para mantener la exposición a un nivel seguro, p. ej., mediante el uso de un sistema de recogida de polvo o una mascarilla adecuada. Las medidas genéricas para reducir la exposición son, entre otras:
  - ▶ trabajar en un espacio bien ventilado;
  - ▶ evitar el contacto prolongado con el polvo;
  - ▶ desviar el polvo de la cara y el cuerpo;
  - ▶ usar prendas protectoras y lavar con agua y jabón las zonas expuestas.



- ▶ Efectúe a menudo pausas y ejercicios para mejorar la circulación de los dedos. Tras muchas horas de trabajo expuesto a las vibraciones intensas, pueden surgir complicaciones en los vasos sanguíneos o en el sistema nervioso en dedos, manos o articulaciones de las manos.
- ▶ No mire directamente hacia la luz (LED) ni dirija la luz a la cara de otras personas. Existe riesgo de deslumbramiento.
- ▶ Evite la penetración de humedad. Un cortocircuito provocado por la humedad puede causar un incendio o quemaduras.
- ▶ - Riesgo de lesiones en caso de caída de herramientas o accesorios. Antes de iniciar el trabajo, compruebe que la batería y los accesorios montados estén bien fijados.
- ▶ No fije ningún colgador de cinturón a este producto.

### Seguridad eléctrica

- ▶ Antes de empezar a trabajar, compruebe si la zona de trabajo oculta cables eléctricos, tuberías de gas o cañerías de agua. Las partes metálicas exteriores del producto pueden provocar una descarga eléctrica o una explosión si se daña un cable eléctrico, una tubería de gas o una cañería de agua.

### Manipulación y utilización segura de las herramientas eléctricas

- ▶ Desconecte inmediatamente el producto si se bloquea el útil. El producto se puede desviar lateralmente.
- ▶ Espere hasta que el producto se haya detenido por completo antes de dejarlo sobre alguna superficie.

## 2.4 Manipulación y utilización segura de las baterías

- ▶ **Tenga en cuenta las siguientes indicaciones de seguridad para el manejo y el uso seguros de las baterías de Ion-Litio.** En caso de no respetarlas, puede llevar a irritación de la piel, lesiones corrosivas graves, quemaduras químicas, fuego o explosiones.
- ▶ Utilice las baterías solo si están en perfecto estado técnico.
- ▶ Manipule las baterías con cuidado a fin de evitar daños o escapes de líquido altamente peligroso para su salud.
- ▶ Las baterías no deben modificarse ni manipularse en ningún caso.
- ▶ Las baterías no se deben destruir, comprimir, calentar por encima de 80 °C (176 °F) o quemar.
- ▶ No utilice ni cargue baterías que hayan recibido algún golpe ni que estén dañadas de alguna otra forma. Compruebe con regularidad si las baterías presentan signos de daños.
- ▶ No utilice nunca baterías recicladas o reparadas.
- ▶ Nunca utilice la batería o una herramienta eléctrica de batería como herramienta de percusión.
- ▶ No exponga nunca las baterías a radiación solar directa, temperaturas elevadas, chispas o llamas abiertas. Esto puede provocar explosiones.
- ▶ No toque los polos de la batería con los dedos, con herramientas, con joyas o con otros objetos conductores de la electricidad. Esto puede dañar la batería y provocar otros daños materiales y lesiones.
- ▶ Mantenga las baterías alejadas de la lluvia, la humedad y los líquidos. Si entra humedad, pueden producirse cortocircuitos, descargas eléctricas, quemaduras, incendios y explosiones.
- ▶ Utilice únicamente cargadores y herramientas eléctricas concebidos para este tipo de baterías. Para ello, consulte las indicaciones recogidas en el manual de instrucciones correspondiente.
- ▶ No utilice ni almacene la batería en entornos con peligro de explosión.
- ▶ Si al tocar la batería detecta que está muy caliente, puede deberse a una avería en la misma. Coloque la batería en un lugar visible, no inflamable, a suficiente distancia de otros materiales inflamables. Deje que la batería se enfríe. Si, después de una hora, la herramienta sigue estando demasiado caliente para tocarla significa que está averiada. Diríjase al Servicio Técnico de **Hilti** o lea el documento «Indicaciones de seguridad y uso de las baterías de Ion-Litio de **Hilti**».



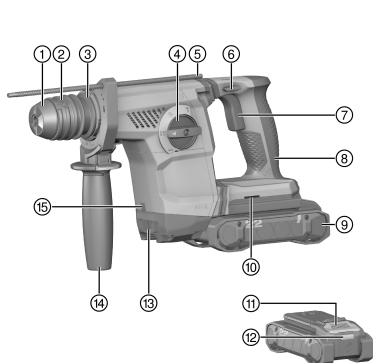
Tenga en cuenta las directivas especiales aplicables al transporte, almacenamiento y uso de las baterías de Ion-Litio. → página 37

Lea las instrucciones de seguridad y uso de las baterías de Ion-Litio de **Hilti**, que puede encontrar escaneando el código QR que se encuentra al final de estas instrucciones de uso.



### 3 Descripción

#### 3.1 Vista general del producto



- ① Tapa de protección contra polvo
- ② Bloqueo del útil/portaútiles
- ③ Conexión para módulo colector de polvo
- ④ Interruptor selector de funciones
- ⑤ Tope de profundidad
- ⑥ Conmutador de giro a la derecha/izquierda con seguro de transporte
- ⑦ Conmutador de control
- ⑧ Empuñadura
- ⑨ Batería
- ⑩ Abertura de montaje para accesorios
- ⑪ Tecla de desbloqueo de la batería
- ⑫ Indicador de estado de la batería
- ⑬ Conexión para módulo de aspiración TE DRS-46 (01)
- ⑭ Empuñadura lateral
- ⑮ Iluminación del área de trabajo (LED)

#### 3.2 Uso conforme a las prescripciones

El producto descrito es un martillo perforador de batería SDS-Plus. Está indicado para taladrar en acero, madera y mampostería, para taladrar con martillo en hormigón y mampostería, y para apretar y aflojar tornillos. Además, el producto se puede utilizar en trabajos sencillos de cincelado en mampostería y para reparar en hormigón.

- Utilice únicamente las baterías de Ion-Litio **Hilti** Nuron de la serie B 22 para este producto. Para garantizar que este producto ofrece un rendimiento óptimo, **Hilti** recomienda utilizar las baterías indicadas en la tabla que encontrará al final de este manual de instrucciones.
- Para estas baterías utilice exclusivamente los cargadores **Hilti** de las series indicadas en la tabla que encontrará al final de este manual de instrucciones.

#### 3.3 Suministro

Martillo perforador SDS-Plus, empuñadura lateral, tope de profundidad, grasa, manual de instrucciones. Para trabajar sin polvo tiene a su disposición, como accesorio, el módulo de aspiración TE DRS-46 (01). Encontrará otros productos del sistema autorizados para su producto en su **Hilti Store** o en Internet, en: [www.hilti.group](http://www.hilti.group)

#### 3.4 Mostrar la batería Ion-Litio

Las baterías de Ion-Litio de **Hilti** Nuron pueden mostrar el estado de carga, los mensajes de error y el estado de la batería.

##### 3.4.1 Visualización del estado de carga y de los mensajes de error

#### ADVERTENCIA

##### Riesgo de lesiones por la caída de la batería

- ▶ Con la batería colocada, asegúrese tras pulsar la tecla de desbloqueo de que la batería vuelva a encajar correctamente en el producto empleado.

Para recibir una de las siguientes indicaciones, pulse brevemente la tecla de desbloqueo de la batería. El estado de carga y las posibles averías también se muestran de forma permanente mientras el producto esté conectado.

Estado	Significado
Cuatro (4) LED encendidos permanentemente en verde	Estado de carga: 100 % a 71 %



Estado	Significado
Tres (3) LED encendidos permanentemente en verde	Estado de carga: 70 % a 51 %
Dos (2) LED se iluminan permanentemente en verde	Estado de carga: 50 % a 26 %
Un (1) LED está encendido permanentemente en verde	Estado de carga: 25 % a 10 %
Un (1) LED parpadea lentamente en verde	Estado de carga: < 10 %
Un (1) LED parpadea rápidamente en verde	La batería Ion-Litio está totalmente descargada. Cargue la batería. Si tras cargar la batería el LED sigue parpadeando rápidamente, diríjase al Servicio Técnico de <b>Hilti</b> .
Un (1) LED parpadea rápidamente en amarillo	La batería de Ion-Litio o el producto conectado a ella están sobrecargados, demasiado calientes, demasiado fríos o existe otro error. Ponga el producto y la batería en la temperatura de trabajo recomendada y no sobrecargue el producto durante su uso. Si sigue viendo el mensaje, diríjase al Servicio Técnico de <b>Hilti</b> .
Un (1) LED está encendido en amarillo	La batería Ion-Litio y el producto conectado a ella no son compatibles. Diríjase al servicio técnico de <b>Hilti</b> .
Un (1) LED parpadea rápidamente en rojo	La batería Ion-Litio está bloqueada y no puede seguir utilizándose. Diríjase al servicio técnico de <b>Hilti</b> .

### 3.4.2 Visualización del estado de la batería

Para consultar el estado de la batería, mantenga la tecla de desbloqueo pulsada durante más de tres segundos. El sistema no detecta un posible funcionamiento incorrecto de la batería debido a un mal uso, como caídas, hendiduras, daños por calor externo, etc.

Estado	Significado
Todos los LED se encienden como luz en movimiento y, a continuación, se enciende un (1) LED permanentemente en verde.	La batería puede seguir utilizándose.
Todos los LED se encienden como luz en movimiento y, a continuación, parpadea un (1) LED rápidamente en amarillo.	No se ha podido completar la consulta sobre el estado de la batería. Repita la operación o diríjase al Servicio Técnico de <b>Hilti</b> .
Todos los LED se encienden como luz en movimiento y, a continuación, parpadea un (1) LED permanentemente en rojo.	Quando un producto conectado puede seguir utilizándose, la capacidad restante de la batería es inferior al 50 %. Quando un producto conectado ya no puede seguir utilizándose, la batería ha llegado al final de su vida útil y debe ser sustituida. Diríjase al servicio técnico de <b>Hilti</b> .

## 4 Datos técnicos

<b>Peso sin batería</b>	3,8 kg (8,4 lb)
<b>Energía por impacto según procedimiento EPTA 05</b>	2,6 J
<b>Bohrbereich in Beton/Mauer (Hammerbohren)</b>	1/8 in ... 1 in
<b>Temperatura ambiente en funcionamiento</b>	-17 °C ... 60 °C (1 °F ... 140 °F)
<b>Temperatura de almacenamiento</b>	-20 °C ... 70 °C (-4 °F ... 158 °F)



#### 4.1 Batería

Tensión de servicio de la batería	21,6 V
Peso batería	Véase al final del manual de instrucciones
Temperatura ambiente en funcionamiento	-17 °C ... 60 °C (1 °F ... 140 °F)
Temperatura de almacenamiento	-20 °C ... 40 °C (-4 °F ... 104 °F)
Temperatura de la batería al comenzar la carga	-10 °C ... 45 °C (14 °F ... 113 °F)

## 5 Preparación del trabajo

### ADVERTENCIA

#### Riesgo de lesiones por arranque involuntario.

- ▶ Antes de insertar la batería, asegúrese de que el producto correspondiente esté desconectado.
- ▶ Retire la batería antes de realizar ajustes en la herramienta o de cambiar accesorios.

Respete las indicaciones de seguridad y las advertencias presentes en esta documentación y en el producto.

#### 5.1 Carga de la batería

1. Antes de cargarla, lea el manual de instrucciones del cargador.
2. Asegúrese de que los contactos de la batería y del cargador estén limpios y secos.
3. Cargue la batería en un cargador autorizado. → página 32

#### 5.2 Colocación de la batería

### ADVERTENCIA

#### Riesgo de lesiones por cortocircuito o caída de la batería.

- ▶ Antes de insertar la batería, asegúrese de que los contactos de la batería y del producto estén libres de cuerpos extraños.
- ▶ Asegúrese de que la batería encaje siempre correctamente.

1. Cargue por completo la batería antes de la primera puesta en servicio.
2. Introduzca la batería en el producto hasta que encaje de forma audible.
3. Compruebe que la batería está bien colocada.

#### 5.3 Extracción de la batería

1. Pulse la tecla de desbloqueo de la batería.
2. Retire la batería del producto.

#### 5.4 Montaje de la empuñadura lateral

1. Gire la empuñadura para soltar el soporte (banda de sujeción) de la empuñadura lateral.
2. Deslice el soporte (banda de sujeción) desde delante a través del portaútiles hasta la ranura prevista para ello.
3. Coloque la empuñadura lateral en la posición deseada.
4. Gire la empuñadura para fijar el soporte (banda de sujeción) de la empuñadura lateral.

#### 5.5 Colocación del útil de inserción



Engrase ligeramente el extremo de inserción del útil.

Utilice únicamente grasa original de Hilti. Una grasa inadecuada puede provocar daños en el producto.





1. Inserte el útil de inserción en el portaútiles y gírelo ejerciendo una leve presión hasta que encaje de forma audible.
2. Una vez insertado, tire del útil para comprobar que está encajado.
  - ▶ El producto está listo para funcionar.

## 5.6 Extracción del útil de inserción

### PRECAUCIÓN

**Riesgo de lesiones por herramienta de inserción.** El útil puede estar caliente o afilado.

- ▶ Utilice guantes de protección para cambiar el útil.

1. Tire del bloqueo del útil hacia atrás hasta el tope.
2. Extraiga el útil de inserción.

## 5.7 Montaje y ajuste del tope de profundidad

1. Mantenga pulsada la tecla de desbloqueo de la empuñadura lateral.
2. Introduzca el tope de profundidad desde delante en la abertura correspondiente situada en la empuñadura lateral. Coloque el tope de profundidad a la profundidad de perforación deseada.
3. Suelte la tecla de desbloqueo.
  - ▶ El tope de profundidad está bloqueado.

## 5.8 Protección frente a caídas

### ADVERTENCIA

**Riesgo de lesiones** por caída de herramientas o accesorios.

- ▶ Utilice únicamente la cuerda de amarre para herramientas **Hilti** recomendada para su producto.
- ▶ Antes de cada uso, compruebe que el punto de fijación de la cuerda de amarre para herramientas no presente posibles daños.



Tenga en cuenta las directivas nacionales para trabajos en altura.

Para este producto, utilice únicamente como protección frente a caídas una combinación de la protección anticaídas de **Hilti** con la cuerda de amarre para herramientas **Hilti** #2261970.

- ▶ Fije la protección anticaídas a las aberturas de montaje para accesorios. Compruebe que quede fijada de forma segura.
- ▶ Fije un mosquetón de la cuerda de amarre para herramientas a la protección anticaídas y el segundo mosquetón a una estructura portante. Compruebe que ambos mosquetones queden fijados de forma segura.



Tenga en cuenta los manuales de instrucciones de la protección anticaídas de **Hilti** y de la cuerda de amarre para herramientas de **Hilti**.

## 6 Manejo

Respete las indicaciones de seguridad y las advertencias presentes en esta documentación y en el producto.

### 6.1 Conexión y desconexión

1. Para conectar el producto, pulse el conmutador de control.
  - ▶ La velocidad se puede regular de forma continua variando la profundidad a la que se presiona el conmutador de control.
2. Para apagar el producto, suelte el conmutador de control.

### 6.2 Sentido de giro

- ▶ Ajuste el sentido de giro.
  - ▶ El interruptor se enclava en esa posición.



### 6.3 Interruptor selector de funciones

Sitúe el interruptor selector de funciones en la función deseada.

**Riesgo de daños** El interruptor selector de funciones no debe accionarse durante el servicio.

#### Taladrar sin percusión

- Sitúe el interruptor selector de funciones en .

#### Taladrar con percusión

- Sitúe el interruptor selector de funciones en .

#### Colocar cincel

- Sitúe el interruptor selector de funciones en .

#### Cincelar

- Sitúe el interruptor selector de funciones en .

## 7 Accesorios opcionales

### 7.1 Módulo de aspiración TE DRS-46 (01)

El módulo de aspiración TE DRS-46 (01) se utiliza como accesorio para el martillo perforador SDS-Plus. Recoge gran parte del polvo que se genera y se fija rápida y fácilmente al martillo perforador SDS-Plus. En el módulo de aspiración hay integrado un ventilador de aspiración. Este se acciona con un motor propio. Al conectar el martillo perforador SDS-Plus, el módulo recibe la corriente procedente de la batería del martillo perforador SDS-Plus.

El módulo de aspiración no es apto para trabajos en metal y madera.

Condiciones: TE DRS-46 (01) OSHA

TE DRS-46 (01) OSHA cumple la directiva OSHA 1926.1153 Table 1. Está equipada con un dispositivo de limpieza de filtro.

### 7.2 Montaje del módulo colector de polvo para realizar trabajos por encima de la cabeza

1. Introduzca el útil de inserción. → página 34
2. Deslice el módulo colector de polvo sobre el portaútiles e insértelo en las ranuras situadas en la carcasa del martillo perforador SDS-Plus.
3. Gire el módulo colector de polvo hacia la izquierda para bloquearlo.

## 8 Cuidado y mantenimiento

### ADVERTENCIA

#### Riesgo de lesiones con la batería colocada !

- ▶ Extraiga siempre la batería antes de llevar a cabo tareas de cuidado y mantenimiento.

#### Cuidado del producto

- Elimine con precaución la suciedad fuertemente adherida.
- Las rejillas de ventilación, si las hay, deben limpiarse con cuidadosamente con un cepillo seco y suave.
- Limpie la carcasa solo con un paño ligeramente humedecido. No utilice productos de limpieza que contengan silicona, ya que podrían dañar las piezas de plástico.
- Utilice un paño limpio y seco para limpiar los contactos del producto.

#### Cuidado de las baterías de Ion-Litio

- No utilice nunca una batería con las rejillas de ventilación obstruidas. Limpie cuidadosamente las rejillas de ventilación con un cepillo seco y suave.
- Evite la exposición innecesaria de la batería al polvo o la suciedad. No exponga nunca la batería a altos niveles de humedad (por ejemplo, sumergiéndola en agua o dejándola bajo la lluvia). Si penetra agua en la batería, trátela como una batería dañada. Aíslela en un recipiente no inflamable y póngase en contacto con el Servicio Técnico de **Hilti**.



- Mantenga la batería limpia de aceite o grasa. No permita la acumulación innecesaria de polvo o suciedad en la batería. Limpie la batería con un cepillo seco y suave o con un paño limpio y seco. No utilice productos de limpieza que contengan silicona, ya que podrían dañar las piezas de plástico. No toque los contactos de la batería y no elimine de los contactos la grasa aplicada de fábrica.
- Limpie la carcasa solo con un paño ligeramente humedecido. No utilice productos de limpieza que contengan silicona, ya que podrían dañar las piezas de plástico.

### Mantenimiento

- Compruebe con regularidad que las piezas visibles no estén dañadas y los elementos de manejo funcionen correctamente.
- No utilice el producto si presenta daños o fallos que afecten al funcionamiento. Encargue inmediatamente la reparación del producto al Servicio Técnico de **Hilti**.
- Tras las tareas de cuidado y mantenimiento, coloque todos los dispositivos de protección y asegúrese de que funcionen correctamente.



Para garantizar un correcto funcionamiento, utilice exclusivamente piezas de repuesto y consumibles originales. Las piezas de repuesto, los consumibles y los accesorios autorizados por **Hilti** se pueden consultar en su **Hilti Store** o en: [www.hilti.group](http://www.hilti.group)

### 8.1 Limpieza de la tapa de protección contra el polvo

- ▶ Limpie regularmente la tapa de protección contra el polvo del portaútiles con un paño limpio y seco.
- ▶ Limpie con cuidado la falda de obturación y vuelva a lubricarla ligeramente con grasa **Hilti**.
- ▶ Sustituya la tapa de protección contra el polvo de inmediato si la falda de obturación está dañada.

## 9 Transporte y almacenamiento de las baterías y sus herramientas

### Transporte

#### PRECAUCIÓN

#### Arranque involuntario en el transporte !

- ▶ Transporte sus productos siempre sin batería.
- ▶ Extraiga la(s) batería(s).
- ▶ Nunca transporte las baterías sin embalaje. Durante el transporte, las baterías deben estar protegidas frente a vibraciones y golpes excesivos y aisladas de todo material conductor y de otras baterías para que no entren en contacto con los polos de otras baterías y causen un cortocircuito. **Tenga en cuenta las normativas locales sobre el transporte de baterías.**
- ▶ Las baterías no deben enviarse por correo. Diríjase a una empresa de transporte si quiere enviar baterías no dañadas.
- ▶ Compruebe si el producto o las baterías están dañados antes de cada uso y antes y después de un transporte prolongado.

### Almacenamiento

#### ADVERTENCIA

#### Daños imprevistos debido a una batería defectuosa o agotada !

- ▶ Guarde su productos siempre sin batería.
- ▶ Guarde el producto y las baterías en un lugar fresco y seco. Tenga en cuenta los valores límite de temperatura que figuran en los datos técnicos.
- ▶ No almacene las baterías en el cargador. Extraiga siempre la batería del cargador después del proceso de carga.
- ▶ No guarde nunca las baterías en un lugar expuesto al sol, a fuentes de calor o detrás de un cristal.
- ▶ Guarde el producto y las baterías fuera del alcance de niños y personas no autorizadas.
- ▶ Compruebe si el producto o las baterías están dañados antes de cada uso y antes y después de un almacenamiento prolongado.

## 10 Ayuda en caso de averías

En caso de producirse cualquier avería, compruebe el indicador del estado de carga y de averías de la batería. Véase el capítulo **Mostrar la batería de Ion-Litio**.



Si se producen averías que no estén incluidas en esta tabla o que no pueda solucionar usted, diríjase al Servicio Técnico de **Hilti**.

Anomalía	Posible causa	Solución
El conmutador de control no se puede pulsar o está bloqueado.	Conmutador de giro a la derecha/izquierda en posición central.	► Presione el conmutador de giro a la derecha/izquierda hacia la derecha o la izquierda.
El husillo de la herramienta no gira.	La batería no se ha insertado completamente.	► Introduzca la batería hasta que encaje y se oiga un clic.
	Conmutador de giro a la derecha/izquierda en posición central.	► Presione el conmutador de giro a la derecha/izquierda hacia la derecha o la izquierda.
	El interruptor selector de funciones no está encajado o se encuentra en la posición «Cincelar» <b>T</b> o «Colocar cincel» $\rightarrow$ .	► Sitúe el interruptor selector de funciones en la posición «Taladrar sin percusión» $\updownarrow$ o «Taladrar con martillo» <b>TT</b> .
Sin percusión.	Producto demasiado frío.	► Coloque el producto sobre la superficie de trabajo y déjelo funcionar en vacío. Repita esta acción si es necesario hasta que funcione el mecanismo de percusión.
	Interruptor selector de funciones en «Taladrar sin percusión» $\updownarrow$ .	► Sitúe el interruptor selector de funciones en la posición «Taladrar con martillo» <b>TT</b> .
La batería se descarga con mayor rapidez que de costumbre.	Estado de la batería no óptimo.	► Consulte el estado de la batería. → página 32
La batería no se enclava con un «clic» audible.	Suciedad en la lengüeta de la batería.	► Limpie la lengüeta y vuelva a colocar la batería.
Los LED de la batería no indican nada	La batería está defectuosa	► Póngase en contacto con el Servicio Técnico de <b>Hilti</b> .
Calentamiento considerable del producto o la batería.	Error en el sistema eléctrico.	► Desconecte el producto inmediatamente. Extraiga la batería y obsérvela. Deje que se enfríe. Póngase en contacto con el Servicio Técnico de <b>Hilti</b> .
El útil no se puede desbloquear.	El portaútiles no se ha retraído completamente.	► Retire el bloqueo del útil hasta el tope y extraiga el útil.
El útil no se puede desmontar.	Producto ajustado en giro a la izquierda.	► Sitúe el conmutador de giro a la derecha/izquierda en giro a la derecha.
	Interruptor selector de funciones en «Taladrar sin percusión» $\updownarrow$ .	► Sitúe el interruptor selector de funciones en la posición «Taladrar con martillo» <b>TT</b> .

## 11 Reciclaje

### ADVERTENCIA

**Riesgo de lesiones por un reciclaje indebido.** Riesgo para la salud debido a escapes de gases o líquidos.

- No envíe baterías dañadas bajo ningún concepto.
- Cubra las conexiones con un material no conductor para evitar cortocircuitos.
- Deshágase de las baterías de tal forma que no terminen en manos de niños.
- Elimine la batería en su **Hilti Store** o diríjase a su empresa de desechos.

Los productos **Hilti** están fabricados en su mayor parte con materiales reutilizables. La condición para dicha reutilización es una separación adecuada de los materiales. En muchos países, **Hilti** recoge las



herramientas usadas para su recuperación. Pregunte al Servicio de Atención al Cliente de **Hilti** o a su asesor de ventas.



- ▶ No deseche las herramientas eléctricas, los aparatos eléctricos ni las baterías junto con los residuos domésticos.

## 12 Garantía del fabricante

- ▶ Si tiene alguna consulta acerca de las condiciones de la garantía, póngase en contacto con su sucursal local de **Hilti**.

## 13 Más información

Encontrará información adicional sobre manejo, técnica, medio ambiente y reciclaje en el siguiente enlace: [qr.hilti.com/manual?id=2264936](http://qr.hilti.com/manual?id=2264936)

Encontrará este enlace también al final de la documentación como código QR.

# Manual de instruções original

## 1 Indicações sobre a documentação

### 1.1 Sobre esta documentação

- Antes da colocação em funcionamento, leia esta documentação. Esta é a condição para um trabalho seguro e um manuseamento sem problemas.
- Tenha em atenção as instruções de segurança e as advertências nesta documentação e no produto.
- Guarde o manual de instruções sempre junto do produto e entregue-o a outras pessoas apenas juntamente com este manual.

### 1.2 Explicação dos símbolos

#### 1.2.1 Advertências

As advertências alertam para perigos durante a utilização do produto. São utilizadas as seguintes palavras de aviso:

#### PERIGO

**PERIGO !**

- ▶ Indica perigo iminente que pode originar acidentes pessoais graves ou até mesmo fatais.

#### AVISO

**AVISO !**

- ▶ Indica um possível perigo que pode causar graves ferimentos pessoais, até mesmo fatais.

#### CUIDADO

**CUIDADO !**

- ▶ Indica uma situação potencialmente perigosa que pode originar ferimentos corporais ou danos materiais.

#### 1.2.2 Símbolos no manual de instruções

Neste manual de instruções são utilizados os seguintes símbolos:



Consultar o manual de instruções



Instruções de utilização e outras informações úteis



Manuseamento com materiais recicláveis



	Não deitar as ferramentas eléctricas e baterias no lixo doméstico
	Bateria de iões de lítio <b>Hilti</b>
	Carregador <b>Hilti</b>

### 1.2.3 Símbolos nas figuras

Em figuras são utilizados os seguintes símbolos:

	Estes números remetem para a figura respectiva no início do presente manual de instruções.
	A numeração reproduz uma sequência dos passos de trabalho na imagem e pode divergir dos passos de trabalho no texto.
	Na figura <b>Vista geral</b> são utilizados números de posição que fazem referência aos números da legenda na secção <b>Vista geral do produto</b> .
	Este símbolo pretende despertar a sua atenção durante o manuseamento do produto.

## 1.3 Símbolos dependentes do produto

### 1.3.1 Símbolos no produto

No produto, podem usar-se os seguintes símbolos:

	O produto suporta a tecnologia NFC que é compatível com plataformas iOS e Android.
	Furar sem percussão
	Furar com percussão (furar de martelo)
	Posicionar o cinzel
	Cinzelar
	Rotação para a direita/esquerda
$n_0$	Velocidade nominal de rotação sem carga
	Corrente contínua
Li-Ion	Bateria de iões de lítio
	Nunca utilize a bateria como ferramenta de percussão.
	Não deixe cair a bateria. Não utilize baterias que tenham recebido uma pancada ou que estejam, de outra forma, danificadas.
	Série utilizada da bateria de iões de lítio <b>Hilti</b> . Tenha em atenção as indicações no capítulo <b>Utilização conforme a finalidade projectada</b> .
	Se existente no produto, isso significa que o produto foi certificado por este organismo de certificação para o mercado americano e canadiano de acordo com as normas em vigor.

## 1.4 Dados informativos sobre o produto

Os produtos destinam-se ao utilizador profissional e só podem ser operados, mantidos e reparados por pessoal autorizado, devidamente qualificado. Estas pessoas deverão estar informadas em particular sobre os potenciais perigos. O produto e seu equipamento auxiliar podem representar perigo se usados incorrectamente por pessoas não qualificadas ou se usados para fins diferentes daqueles para os quais foram concebidos.

A designação e o número de série são indicados na placa de características.



- ▶ Registe o número de série na tabela seguinte. Precisa dos dados do produto para colocar questões ao nosso representante ou posto de serviço de atendimento aos clientes.

#### Dados do produto

Martelo perfurador SDS-Plus	TE 6-22
Geração	05
N.º de série	

## 2 Segurança

### 2.1 Normas de segurança gerais para ferramentas eléctricas

**⚠ AVISO Leia todas as normas de segurança, instruções, imagens e dados técnicos, com os quais esta ferramenta eléctrica está equipada.** O não cumprimento das instruções a seguir pode resultar em choque eléctrico, incêndio e/ou ferimentos graves.

**Guarde bem todas as normas de segurança e instruções para futura referência.**

O termo “ferramenta eléctrica” utilizado nas normas de segurança refere-se a ferramentas com ligação à corrente eléctrica (com cabo de alimentação) ou a ferramentas a bateria (sem cabo).

#### Segurança no posto de trabalho

- ▶ **Mantenha a sua área de trabalho limpa e bem iluminada.** Locais desarrumados ou mal iluminados podem ocasionar acidentes.
- ▶ **Não utilize a ferramenta eléctrica em ambientes explosivos ou na proximidade de líquidos ou gases inflamáveis.** Ferramentas eléctricas produzem faíscas que podem provocar a ignição de pó e vapores.
- ▶ **Mantenha crianças e terceiros afastados durante os trabalhos.** Distacções podem conduzir à perda de controlo sobre a ferramenta.

#### Segurança eléctrica

- ▶ **A ficha da ferramenta eléctrica deve servir na tomada. A ficha não deve ser modificada de modo algum. Não utilize quaisquer adaptadores com ferramentas eléctricas com ligação terra.** Fichas originais (não modificadas) e tomadas adequadas reduzem o risco de choque eléctrico.
- ▶ **Evite o contacto do corpo com superfícies ligadas à terra, como, por exemplo, canos, radiadores, fogões e frigoríficos.** Existe um risco elevado de choque eléctrico se o corpo estiver com ligação à terra.
- ▶ **As ferramentas eléctricas não devem ser expostas à chuva nem à humidade.** A infiltração de água numa ferramenta eléctrica aumenta o risco de choque eléctrico.
- ▶ **Não use o cabo de ligação para transportar, pendurar ou desligar a ferramenta eléctrica da tomada. Mantenha o cabo de ligação afastado de calor, óleo, arestas vivas ou partes em movimento.** Cabos de ligação danificados ou emaranhados aumentam o risco de choque eléctrico.
- ▶ **Quando operar uma ferramenta eléctrica ao ar livre, utilize apenas cabos de extensão próprios para utilização no exterior.** A utilização de um cabo de extensão próprio para utilização no exterior reduz o risco de choques eléctricos.
- ▶ **Utilize um disjuntor diferencial se não puder ser evitada a utilização da ferramenta eléctrica em ambiente húmido.** A utilização de um disjuntor diferencial reduz o risco de choque eléctrico.

#### Segurança física

- ▶ **Esteja alerta, observe o que está a fazer, e tenha prudência ao trabalhar com uma ferramenta eléctrica. Se estiver cansado ou sob influência de drogas, álcool ou medicamentos não efectue nenhum trabalho com ferramentas eléctricas.** Um momento de distração ao operar a ferramenta eléctrica pode causar ferimentos graves.
- ▶ **Use equipamento de segurança. Use sempre óculos de protecção.** Equipamento de segurança, como, por exemplo, máscara antipoeiras, sapatos de segurança antiderrapantes, capacete de segurança ou protecção auricular, de acordo com o tipo e aplicação da ferramenta eléctrica, reduzem o risco de lesões.
- ▶ **Evite um arranque involuntário. Assegure-se de que a ferramenta eléctrica está desligada antes de a ligar à fonte de alimentação e/ou à bateria, pegar nela ou a transportar.** Transportar a ferramenta eléctrica com o dedo no interruptor ou ligar uma ferramenta à tomada com o interruptor ligado (ON) pode resultar em acidentes.
- ▶ **Remova quaisquer chaves de ajuste (chaves de fenda), antes de ligar a ferramenta eléctrica.** Um acessório ou chave deixado preso numa parte rotativa da ferramenta pode causar ferimentos.



- ▶ **Evite posturas corporais desfavoráveis. Mantenha sempre uma posição correcta, em perfeito equilíbrio.** Desta forma será mais fácil manter o controlo sobre a ferramenta eléctrica em situações inesperadas.
- ▶ **Use roupa apropriada. Não use roupa larga ou jóias. Mantenha o cabelo, vestuário e luvas afastados das peças móveis.** Roupas largas, jóias ou cabelos compridos podem ficar presos nas peças móveis.
- ▶ **Se poderem ser montados sistemas de remoção e de recolha de pó, assegure-se de que estes estão ligados e são utilizados correctamente.** A utilização de um sistema de remoção de pó pode reduzir os perigos relacionados com a exposição ao mesmo.
- ▶ **Não se acomode numa falsa sensação de segurança e não ignore os regulamentos de segurança para ferramentas eléctricas, mesmo se estiver familiarizado com a ferramenta eléctrica após numerosas utilizações.** Agir de forma descuidada pode causar ferimentos graves dentro duma fracção de segundo.

#### **Utilização e manuseamento da ferramenta eléctrica**

- ▶ **Não sobrecarregue a ferramenta. Use para o seu trabalho a ferramenta eléctrica correcta.** Com a ferramenta eléctrica adequada obterá maior eficiência e segurança se respeitar os seus limites.
- ▶ **Não utilize a ferramenta eléctrica se o interruptor estiver defeituoso.** Uma ferramenta eléctrica que já não possa ser accionada pelo interruptor é perigosa e deve ser reparada.
- ▶ **Retire a ficha da tomada e/ou remova uma bateria amovível antes de efectuar ajustes na ferramenta, substituir acessórios ou guardar a ferramenta.** Esta medida preventiva evita o accionamento acidental da ferramenta eléctrica.
- ▶ **Guarde ferramentas eléctricas não utilizadas fora do alcance das crianças. Não permita que a ferramenta seja utilizada por pessoas não familiarizadas com a mesma ou que não tenham lido estas instruções.** Ferramentas eléctricas operadas por pessoas não treinadas são perigosas.
- ▶ **Faça uma manutenção regular de ferramentas eléctricas e acessórios. Verifique se as partes móveis funcionam perfeitamente e não emperram ou se há peças quebradas ou danificadas que possam influenciar o funcionamento da ferramenta eléctrica. Peças danificadas devem ser reparadas antes da utilização da ferramenta.** Muitos acidentes são causados por ferramentas eléctricas com manutenção deficiente.
- ▶ **Mantenha as ferramentas de corte sempre afiadas e limpas.** Acessórios com gumes afiados tratados correctamente emperram menos e são mais fáceis de controlar.
- ▶ **Utilize a ferramenta eléctrica, acessórios, bits, etc., de acordo com estas instruções. Tome também em consideração as condições de trabalho e o trabalho a ser efectuado.** A utilização da ferramenta eléctrica para outros fins além dos previstos, pode ocasionar situações de perigo.
- ▶ **Mantenha punhos e respectivas superfícies secos, limpos e isentos de óleo e gordura.** Punhos e superfícies afins escorregadios não permitem um manuseamento e controlo seguro da ferramenta eléctrica em situações imprevistas.

#### **Utilização e manuseamento da ferramenta a bateria**

- ▶ **Apenas deverá carregar as baterias em carregadores recomendados pelo fabricante.** Num carregador adequado para um determinado tipo de baterias existe perigo de incêndio se for utilizado para outras baterias.
- ▶ **Nas ferramentas eléctricas utilize apenas as baterias previstas.** A utilização de outras baterias pode causar ferimentos e riscos de incêndio.
- ▶ **Quando a bateria não estiver em uso, mantenha-a afastada de outros objectos de metal, como, por exemplo, cliques, moedas, chaves, pregos, parafusos, ou outros pequenos objectos metálicos que possam ligar em ponte os contactos.** Um curto-circuito entre os contactos da bateria pode causar queimaduras ou incêndio.
- ▶ **Utilizações inadequadas podem provocar derrame do líquido da bateria. Evite o contacto com este líquido. No caso de contacto acidental, enxágue imediatamente com água. Se o líquido entrar em contacto com os olhos, procure auxílio médico.** O líquido que escorre da bateria pode provocar irritações ou queimaduras da pele.
- ▶ **Não utilize uma bateria danificada ou modificada.** Baterias danificadas ou modificadas podem ter um comportamento imprevisível e causar fogo, explosão ou risco de ferimentos.
- ▶ **Não exponha uma bateria ao fogo ou a temperaturas excessivas.** Fogo e temperaturas superiores a 130 °C (265 °F) podem provocar uma explosão.
- ▶ **Cumpra todas as instruções sobre o carregamento e nunca carregue a bateria ou a ferramenta a bateria fora da faixa de temperaturas indicada no manual de instruções.** O carregamento errado ou fora da faixa de temperaturas permitida pode destruir a bateria e aumentar o risco de incêndio.





## Manutenção

- ▶ **A sua ferramenta eléctrica só deve ser reparada por pessoal qualificado e só devem ser utilizadas peças sobressalentes originais.** Isto assegurará que a segurança da ferramenta se mantenha.
- ▶ **Nunca faça a manutenção de baterias danificadas.** Qualquer manutenção de baterias só deverá ser realizada pelo fabricante ou serviços de assistência técnica autorizados.

### 2.2 Normas de segurança para martelos

- ▶ **Use protecção auricular.** Ruído em excesso pode levar à perda de audição.
- ▶ **Utilize os punhos auxiliares fornecidos com a ferramenta.** A perda de controlo da ferramenta pode causar ferimentos.
- ▶ **Segure a ferramenta apenas pelas áreas isoladas dos punhos quando executar trabalhos onde o acessório pode encontrar cabos eléctricos encobertos.** O contacto com um cabo sob tensão também pode colocar partes metálicas da ferramenta sob tensão e causar um choque eléctrico.

### 2.3 Normas de segurança adicionais

#### Segurança física

- ▶ Utilize o produto e os acessórios somente se estiverem em perfeitas condições técnicas.
- ▶ Nunca efectue quaisquer manipulações ou modificações no produto ou nos acessórios.
- ▶ Para a substituição de acessórios, use luvas de protecção, uma vez que o acessório e o encabudo da ferramenta aquecem durante a utilização.
- ▶ O produto possui, em conformidade com as suas aplicações, um binário elevado. Segure o produto sempre com as duas mãos nos punhos previstos para o efeito. O utilizador tem de estar preparado para a eventualidade de a ferramenta bloquear repentinamente.
- ▶ Certifique-se de que o punho auxiliar está correctamente montado e devidamente apertado. Agarre o punho auxiliar sempre pelo lado exterior.
- ▶ O material pode fragmentar-se devido ao processamento. Os estilhaços podem provocar ferimentos no corpo e nos olhos. Use óculos de protecção, capacete de segurança e protecção auricular durante a utilização do produto. Se não utilizar nenhuma aspiração de pó, use adicionalmente uma máscara de protecção respiratória leve.
- ▶ Ao realizar trabalhos de perfuração, vede a área que se encontra do lado oposto dos trabalhos. Restos de demolição podem desprender-se e/ou cair e ferir outras pessoas.
- ▶ Ao cinzelar tectos, paredes e pavimentos garanta uma posição de trabalho firme e segura. Um atravessamento repentino poderá levar à perda do equilíbrio.
- ▶ Evite o contacto com peças rotativas - risco de ferimentos!
- ▶ Mantenha sempre as saídas de ar desobstruídas. Risco de queimaduras devido a saídas de ar tapadas!
- ▶ Ligue o produto somente quando o tiver colocado na posição de trabalho.
- ▶ Não trabalhe num ambiente sobrecarregado de pó.
- ▶ Pó produzido ao rectificar, lixar, cortar e furar pode conter produtos químicos perigosos. Alguns exemplos são: Chumbo ou tintas à base de chumbo; Tijolo, betão e outros produtos de alvenaria, pedra natural e outros produtos que contenham silicatos; Determinadas madeiras, como carvalho, faia e madeira tratada quimicamente; Amianto ou materiais contendo amianto. Determine a exposição do operador e das pessoas que se encontrem nas proximidades através da classe de perigo dos materiais a serem trabalhados. Tome as medidas necessárias para manter a exposição a um nível seguro como, por ex., a utilização de um sistema colector de pó ou o uso de uma protecção respiratória adequada. As medidas gerais para redução da exposição incluem:
  - ▶ Trabalhar num local bem ventilado,
  - ▶ Evitar o contacto prolongado com pó,
  - ▶ Afastar o pó do rosto e do corpo,
  - ▶ Usar roupa de protecção e lavar áreas expostas com água e sabão.
- ▶ Faça frequentemente pausas e exercícios para melhorar a circulação sanguínea nos dedos. Os trabalhos mais longos, devido às intensas vibrações, podem causar distúrbios nos vasos sanguíneos ou no sistema nervoso dos dedos, mãos ou pulsos.
- ▶ Não olhe directamente para a luz de trabalho (LED) nem aponte a luz para o rosto de outras pessoas. Existe risco de encandeamamento.
- ▶ Evite a entrada de humidade. Um curto-circuito causado por humidade pode ter como consequência fogo ou queimaduras.
- ▶ Risco de ferimentos devido a queda de ferramentas e/ou acessórios. Antes de iniciar os trabalhos, verifique se a bateria e os acessórios montados estão realmente fixos.



- ▶ Não prenda nenhum gancho de cinto a este produto.

### Segurança eléctrica

- ▶ Antes de iniciar os trabalhos, verifique o local de trabalho relativamente a cabos eléctricos encobertos, bem como tubos de gás e água. Partes metálicas externas do produto podem causar um choque eléctrico ou uma explosão se, inadvertidamente, danificarem uma linha eléctrica, um cano de gás ou de água.

### Utilização e manutenção de ferramentas eléctricas

- ▶ Desligue imediatamente o produto, caso a ferramenta bloqueie. O produto pode desviar-se para o lado.
- ▶ Aguarde até que o produto esteja parado, antes de o pousar.

## 2.4 Utilização e manutenção de baterias

- ▶ **Tenha em atenção as seguintes normas de segurança para um manuseamento e utilização seguros de baterias de iões de lítio.** A inobservância pode causar irritações da pele, ferimentos corrosivos graves, queimaduras químicas, fogo e/ou explosões.
- ▶ Utilize baterias somente se estiverem em perfeitas condições técnicas.
- ▶ Manuseie cuidadosamente as baterias a fim de evitar danos e impedir a fuga de líquidos extremamente nocivos!
- ▶ As baterias não devem, em caso algum, ser modificadas ou manipuladas!
- ▶ As baterias não devem ser desmanteladas, esmagadas, aquecidas acima dos 80 °C (176 °F) ou incineradas.
- ▶ Não utilize ou carregue baterias que tenham recebido uma pancada ou que estejam, de outra forma, danificadas. Verifique regularmente se as suas baterias apresentam indícios de danos.
- ▶ Nunca utilize baterias recicladas ou reparadas.
- ▶ Nunca utilize a bateria ou uma ferramenta eléctrica a bateria como ferramenta de percussão.
- ▶ Nunca expor as baterias à radiação solar directa, temperaturas elevadas, faíscas ou chamas abertas. Isso pode dar origem a explosões.
- ▶ Não toque nos pólos da bateria com os dedos, ferramentas, jóias ou outros objectos condutores da electricidade. Isto pode danificar a bateria e causar danos materiais e ferimentos.
- ▶ Mantenha as baterias afastadas da chuva, humidade e líquidos. A entrada de humidade pode causar curto-circuitos, choques eléctricos, queimaduras, incêndio e explosões.
- ▶ Utilize apenas carregadores e ferramentas eléctricas previstos para este tipo de bateria. Para isso, tenha em atenção as indicações nos respectivos manuais de instruções.
- ▶ Nunca utilize nem guarde a bateria em ambientes potencialmente explosivos.
- ▶ Se a bateria estiver demasiado quente ao toque, poderá estar com defeito. Coloque a bateria num local com boa visibilidade que não constitua risco de incêndio, suficientemente afastado de materiais inflamáveis. Deixe a bateria arrefecer. Se, passado uma hora, a bateria ainda estiver demasiado quente ao toque, então está com defeito. Contacte o Centro de Assistência Técnica **Hilti** ou leia a documento "Indicações relativas à segurança e utilização de baterias de iões de lítio **Hilti**".



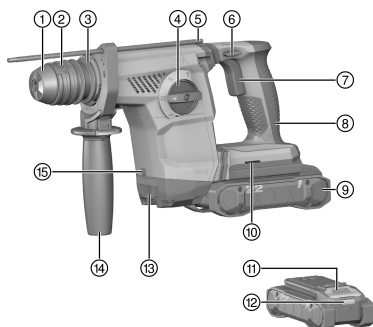
Observe as regras específicas aplicáveis ao transporte, à armazenagem e à utilização de baterias de iões de lítio. → Página 50

Leia as indicações relativas à segurança e utilização de baterias de iões de lítio **Hilti** que encontra efectuando a leitura do código QR na parte final deste manual de instruções.



### 3 Descrição

#### 3.1 Vista geral do produto



- ① Capa protectora contra pó
- ② Bloqueio da ferramenta/porta-ferramentas
- ③ Ligação para módulo coletor de pó
- ④ Selector de funções
- ⑤ Limitador de profundidade
- ⑥ Comutador de rotação direita/esquerda com dispositivo de segurança de transporte
- ⑦ Interruptor on/off
- ⑧ Punho
- ⑨ Bateria
- ⑩ Abertura de montagem para acessórios
- ⑪ Botão de destravamento da bateria
- ⑫ Indicação de estado da bateria
- ⑬ Ligação para módulo de aspiração de pó TE DRS-4/6 (01)
- ⑭ Punho auxiliar
- ⑮ Iluminação da zona de trabalho (LED)

#### 3.2 Utilização conforme a finalidade projectada

O produto descrito é um martelo perfurador a bateria SDS-Plus. Está concebido para perfurar com percussão em betão e alvenaria, furar aço, madeira e alvenaria e apertar e desapertar parafusos. Além disso, o produto pode ser utilizado para leves trabalhos de cinzelamento em alvenaria e para trabalhos de acabamento em betão.

- Para este produto, utilize apenas baterias de iões de lítio **Hilti** Nuron da série B 22. Para garantir o desempenho perfeito, a **Hilti** recomenda para este produto as baterias indicadas nesta tabela, no fim deste manual de instruções.
- Para estas baterias utilize apenas carregadores **Hilti** das séries referidas na tabela, no final deste manual de instruções.

#### 3.3 Incluído no fornecimento

Martelo perfurador SDS-Plus, punho auxiliar, limitador de profundidade, massa lubrificante, manual de instruções.

O módulo aspirador de pó TE DRS-4/6 (01) é disponibilizado como acessório para a realização de trabalhos sem produzir muito pó.

Poderá encontrar outros produtos de sistema aprovados para o seu produto na sua **Hilti Store** ou em: [www.hilti.group](http://www.hilti.group)

#### 3.4 Indicações da bateria de iões de lítio

As baterias de iões de lítio **Hilti** Nuron podem apresentar o estado de carga, mensagens de erro e o estado da bateria.

##### 3.4.1 Indicações relativas ao estado de carga e mensagens de erro

#### AVISO

##### Risco de ferimentos devido à queda da bateria!

- ▶ Com a bateria encaixada, depois de pressionar o botão de destravamento, certifique-se de que volta a encaixar a bateria correctamente no produto utilizado.

Para obter uma das seguintes indicações, pressione brevemente o botão de destravamento da bateria. O estado de carga, assim como, possíveis avarias são apresentadas de forma permanente, enquanto o produto conectado estiver ligado.



Estado	Significado
Quatro (4) LEDs estão sempre acesos a verde	Estado de carga: 100% a 71%
Três (3) LEDs estão sempre acesos a verde	Estado de carga: 70% a 51%
Dois (2) LEDs estão sempre acesos a verde	Estado de carga: 50% a 26%
Um (1) LED está sempre aceso a verde	Estado de carga: 25% a 10%
Um (1) LED pisca lentamente a verde	Estado de carga: < 10%
Um (1) LED pisca rapidamente a verde	A bateria de íões de lítio está completamente descarregada. Carregue a bateria. Se o LED ainda estiver a piscar rapidamente depois de carregar a bateria, contacte o Centro de Assistência Técnica <b>Hilti</b> .
Um (1) LED pisca rapidamente a amarelo	A bateria de íões de lítio ou o produto associado estão sobrecarregados, demasiado quentes, demasiado frios ou existe alguma outra falha. O produto e a bateria devem ser utilizados à temperatura de trabalho recomendada e o produto não deve ser sobrecarregado quando está a ser utilizado. Se a mensagem persistir, contacte o Centro de Assistência Técnica <b>Hilti</b> .
Um (1) LED acende-se a amarelo	A bateria de íões de lítio e o produto a ela ligado não são compatíveis. Contacte a Assistência Técnica <b>Hilti</b> .
Um (1) LED pisca rapidamente a vermelho	A bateria de íões de lítio está bloqueada e não pode continuar a ser utilizada. Contacte a Assistência Técnica <b>Hilti</b> .

### 3.4.2 Indicações relativas ao estado da bateria

Para consultar o estado da bateria, mantenha o botão de destravamento pressionado por mais de três segundos. O sistema não detecta potenciais anomalias da bateria devido a utilização inadequada como, por ex., quedas, perfurações, danos externos provocados pelo calor, etc.

Estado	Significado
Todos os LEDs acendem como luz de perseguição e, em seguida, um (1) LED está sempre aceso a verde.	A bateria pode continuar a ser utilizada.
Todos os LEDs acendem como luz de perseguição e, em seguida, um (1) LED pisca rapidamente a amarelo.	Não foi possível concluir a consulta sobre o estado da bateria. Repita o procedimento ou contacte o Centro de Assistência Técnica <b>Hilti</b> .
Todos os LEDs acendem como luz de perseguição e, em seguida, um (1) LED está sempre aceso a vermelho.	Se um produto conectado ainda puder ser utilizado, a capacidade restante da bateria é inferior a 50%. Se um produto conectado já não puder ser utilizado, a bateria está no fim da sua vida útil e deve ser substituída. Contacte a Assistência Técnica <b>Hilti</b> .

## 4 Características técnicas

Peso sem bateria	3,8 kg (8,4 lb)
Energia de impacto segundo o Procedimento EPTA 05	2,6 J
Bohrbereich in Beton/Mauer (Hammerbohren)	1/8 in ... 1 in



Temperatura ambiente durante o funcionamento	-17 °C ... 60 °C (1 °F ... 140 °F)
Temperatura de armazenagem	-20 °C ... 70 °C (-4 °F ... 158 °F)

#### 4.1 Bateria

Tensão de serviço da bateria	21,6 V
Peso da bateria	Consultar o fim deste manual de instruções
Temperatura ambiente durante o funcionamento	-17 °C ... 60 °C (1 °F ... 140 °F)
Temperatura de armazenagem	-20 °C ... 40 °C (-4 °F ... 104 °F)
Temperatura da bateria no início do carregamento	-10 °C ... 45 °C (14 °F ... 113 °F)

## 5 Preparação do local de trabalho

### AVISO

#### Risco de ferimentos devido a arranque involuntário!

- ▶ Antes de encaixar a bateria, certifique-se de que o produto correspondente está desligado.
- ▶ Remova a bateria, antes de efectuar ajustes na ferramenta ou substituir acessórios.

Tenha em atenção as instruções de segurança e as advertências nesta documentação e no produto.

#### 5.1 Carregar a bateria

1. Antes de carregar, leia o manual de instruções do carregador.
2. Certifique-se de que os contactos da bateria e do carregador estão limpos e secos.
3. Carregue a bateria num carregador aprovado. → Página 45

#### 5.2 Colocar a bateria

### AVISO

#### Risco de ferimentos devido a curto-circuito ou queda da bateria!

- ▶ Antes de encaixar a bateria, certifique-se de que os contactos da bateria e os contactos no produto estão livres de corpos estranhos.
- ▶ Certifique-se de que a bateria engata sempre correctamente.

1. A bateria deve ser completamente carregada antes da primeira utilização.
2. Introduza a bateria no produto até engatar de forma audível.
3. Verifique se a bateria está correctamente encaixada.

#### 5.3 Retirar a bateria

1. Pressione o botão de destravamento da bateria.
2. Puxe a bateria para fora do produto.

#### 5.4 Montagem do punho auxiliar

1. Rode o punho para soltar a abraçadeira (cinta de aperto) do punho auxiliar.
2. Deslize a abraçadeira (cinta de aperto) a partir da frente sobre o mandril até à ranhura prevista para o efeito.
3. Coloque o punho auxiliar na posição desejada.
4. Rode o punho para apertar a abraçadeira (cinta de aperto) do punho auxiliar.



## 5.5 Colocar o acessório 3



Lubrifique ligeiramente o encabadouro do acessório.

Utilize apenas massa lubrificante original da Hilti. Uma massa lubrificante errada pode provocar danos no produto.

1. Encaixe o acessório no mandril e rode-o aplicando ligeira pressão até que este encaixe de forma audível.
2. Depois de colocada, tente puxar a broca para fora do mandril, verificando assim se está bem fixa.
  - ▶ O produto está operacional.

## 5.6 Retirar o acessório 4

### CUIDADO

**Perigo de ferimentos devido ao acessório!** O acessório pode estar quente ou com arestas vivas.

- ▶ Use luvas de protecção ao mudar o acessório.

1. Puxe o bloqueio da ferramenta para trás, até ao batente.
2. Retire o acessório.

## 5.7 Montar e regular o limitador de profundidade 5

1. Pressione e mantenha pressionado o botão de destravamento no punho auxiliar.
2. Insira o limitador de profundidade, a partir da frente, na abertura prevista para o efeito, no punho auxiliar. Ajuste o limitador de profundidade à profundidade de perfuração desejada.
3. Solte o botão de destravamento.
  - ▶ O limitador de profundidade está travado.

## 5.8 Protecção anti-queda

### AVISO

**Risco de ferimentos** devido a queda de ferramentas e/ou acessórios!

- ▶ Utilize apenas o cabo de segurança para ferramentas **Hilti** recomendado para o seu produto.
- ▶ Antes de cada utilização, verifique o ponto de fixação do cabo de segurança para ferramentas quanto a possíveis danos.



Observe as directivas nacionais para trabalhos em altura.

Utilize exclusivamente uma combinação entre a protecção anti-queda **Hilti** e o cabo de segurança para ferramentas **Hilti** #2261970.

- ▶ Fixe o dispositivo de segurança nas aberturas de montagem para acessórios. Verifique se está bem apertado.
- ▶ Fixe um mosquetão do cabo de segurança para ferramentas no dispositivo de segurança e o segundo mosquetão a uma estrutura de suporte. Verifique se ambos os mosquetões estão bem apertados.



Observe os manuais de instruções do dispositivo de segurança **Hilti**, bem como do cabo de segurança para ferramentas **Hilti**.

## 6 Utilização

Tenha em atenção as instruções de segurança e as advertências nesta documentação e no produto.

### 6.1 Ligar e desligar

1. Para ligar o produto, pressione o interruptor on / off.
  - ▶ Em função da profundidade da compressão do interruptor on/off é possível regular progressivamente o número de rotações.
2. Para desligar o produto, solte o interruptor on / off.



## 6.2 Sentido de rotação

- ▶ Ajuste o sentido de rotação.
  - ▶ O interruptor engata nesta posição.

## 6.3 Selector de funções

Coloque o selector de funções na função pretendida.



**Perigo de danos!** O selector de funções não pode ser operado durante o funcionamento.

### Furar sem percussão

- Coloque o selector de funções em .

### Perfurar de martelo

- Coloque o selector de funções em .

### Posicionar o cinzel

- Coloque o selector de funções em .

### Cinzelar

- Coloque o selector de funções em .

## 7 Acessórios opcionais

### 7.1 Módulo de aspiração de pó TE DRS-46 (01)

O módulo de aspiração de pó TE DRS-46 (01) é utilizado como acessório para o martelo perfurador SDS-Plus. Este retém uma percentagem considerável do pó produzido e pode ser fixado de forma rápida e simples no martelo perfurador SDS-Plus. No módulo de aspiração de pó está integrado um exaustor. Este é accionado através de um motor próprio. Ao ligar o martelo perfurador SDS-Plus, o módulo retira a sua corrente da bateria do martelo perfurador SDS-Plus.

O módulo de aspiração de pó não é adequado para trabalhos em metal e madeira.

**Condições:** TE DRS-46 (01) OSHA

O TE DRS-46 (01) OSHA cumpre a directiva OSHA 1926.1153 Table 1. Está equipado com um mecanismo de limpeza do filtro.

### 7.2 Montar módulo colector de pó para trabalhos em altura

1. Coloque o acessório. → Página 48
2. Empurre o módulo colector de pó sobre o mandril e insira-o nas ranhuras na carcaça do martelo perfurador SDS-Plus.
3. Rode o módulo colector de pó no sentido contrário ao dos ponteiros do relógio para o bloquear.

## 8 Conservação e manutenção



### AVISO

**Risco de lesão com a bateria encaixada !**

- ▶ Retire sempre a bateria antes de todos os trabalhos de conservação e manutenção!

### Conservação do produto

- Remova sujidade persistente com cuidado.
- Se existente, limpe as saídas de ar cuidadosamente com uma escova seca e macia.
- Limpe a carcaça apenas com um pano ligeiramente húmido. Não utilize produtos de conservação que contenham silicone, uma vez que estes podem danificar os componentes de plástico.
- Utilize um pano limpo e seco, para limpar os contactos do produto.

### Conservação das baterias de iões de lítio

- Nunca utilize uma bateria com as saídas de ar obstruídas. Limpe as saídas de ar cuidadosamente com uma escova seca e macia.



- Evite que a bateria seja exposta desnecessariamente a pó ou sujidade. Nunca exponha a bateria a humidade elevada (por ex., mergulhar em água ou deixar à chuva). Se uma bateria tiver ficado encharcada, trate-a como uma bateria danificada. Isole-a num recipiente não inflamável e contacte o Centro de Assistência Técnica **Hilti**.
- Mantenha a bateria sem resíduos de óleo e massa consistente externa. Não permita que se acumule desnecessariamente pó ou sujidade sobre a bateria. Limpe a bateria com uma escova seca e macia ou um pano limpo e seco. Não utilize produtos de conservação que contenham silicone, uma vez que estes podem danificar os componentes de plástico. Não toque nos contactos da bateria nem remova dos contactos a massa consistente aplicada de fábrica.
- Limpe a carcaça apenas com um pano ligeiramente húmido. Não utilize produtos de conservação que contenham silicone, uma vez que estes podem danificar os componentes de plástico.

#### Manutenção

- Verifique, regularmente, todos os componentes visíveis quanto a danos e os comandos operativos quanto a funcionamento perfeito.
- Não opere o produto se existirem danos e/ou perturbações de funcionamento. Mandar reparar o produto imediatamente no Centro de Assistência Técnica **Hilti**.
- Após os trabalhos de conservação e manutenção, aplique todos os dispositivos de protecção e verifique se funcionam correctamente.



Para um funcionamento seguro, utilize apenas peças sobresselentes e consumíveis originais. Poderá encontrar peças sobresselentes, consumíveis e acessórios aprovados pela **Hilti** para o seu produto na sua **Hilti Store** ou em: [www.hilti.group](http://www.hilti.group)

### 8.1 Limpeza da capa protectora contra pó

- ▶ Limpe periodicamente a capa protectora contra pó no porta-ferramentas com um pano limpo e seco.
- ▶ Limpe o vedante e unte-o com uma leve camada de massa **Hilti**.
- ▶ Substitua impreterivelmente a capa protectora contra pó se o vedante estiver danificado.

## 9 Transporte e armazenamento de ferramentas a bateria e baterias

### Transporte

#### CUIDADO

#### Arranque inadvertido durante o transporte !

- ▶ Transporte os seus produtos sempre sem as baterias colocadas!
- ▶ Retire a/as bateria(s).
- ▶ Nunca transporte as baterias sem embalagem. Durante o transporte, as baterias devem ser protegidas contra impactos e vibrações excessivos e isoladas de quaisquer materiais condutores ou outras baterias, para que não entrem em contacto com os pólos de outras baterias e causem um curto-circuito. **Observe as suas normas de transporte locais para baterias.**
- ▶ As baterias não devem ser enviadas por correio. Quando pretender enviar baterias não danificadas, contacte uma empresa transportadora.
- ▶ Verifique o produto e as baterias quanto a danos antes de cada utilização, bem como antes e depois de longos períodos de transporte.

### Armazenamento

#### AVISO

#### Dano acidental devido a baterias com defeito ou a perderem líquido !

- ▶ Armazene os seus produtos sempre sem as baterias colocadas!
- ▶ Guarde o produto e as baterias em lugar fresco e seco. Tenha em atenção os valores limite de temperatura, que estão indicados nas Características técnicas.
- ▶ Não guarde as baterias no carregador. Após o processo de carregamento, retire sempre a bateria do carregador.
- ▶ Nunca armazene as baterias em locais sujeitos a exposição solar, em cima de fontes de calor ou por trás de um vidro.
- ▶ Guarde o produto e as baterias fora do alcance das crianças e das pessoas não autorizadas.
- ▶ Verifique o produto e as baterias quanto a danos antes de cada utilização, bem como antes e depois de longos períodos de armazenamento.





## 10 Ajuda em caso de avarias

Em todas as avarias, observe o indicador do estado de carga e de avaria da bateria. Consultar capítulo **Indicações da bateria de iões de lítio**.

No caso de avarias que não sejam mencionadas nesta tabela ou se não conseguir resolvê-las por si mesmo, contacte o nosso Centro de Assistência Técnica **Hilti**.

Avaria	Causa possível	Solução
Não é possível pressionar o interruptor on/off ou ele está bloqueado.	Comutador de rotação para a direita/esquerda na posição central.	▶ Pressione o comutador de rotação direita/esquerda para a direita ou a esquerda.
O fuso da ferramenta não roda.	A bateria não está completamente encaixada.	▶ Encaixe a bateria com clique audível.
	Comutador de rotação para a direita/esquerda na posição central.	▶ Pressione o comutador de rotação direita/esquerda para a direita ou a esquerda.
	O selector de funções não está engatado ou está na posição "Cinzelar" <b>T</b> ou na posição "Posicionar cinzel" <b>→</b> .	▶ Com a ferramenta parada, coloque o selector de funções na posição "Furar sem percussão"  ou "Furar com percussão" <b>T</b> .
Não tem percussão.	Produto demasiado frio.	▶ Coloque o produto em contacto com o material base e deixe-o trabalhar em vazio. Se necessário, repita, até o mecanismo de percussão trabalhar.
	Selector de funções na posição "Perfurar sem percussão" .	▶ Coloque o selector de funções na posição "Perfurar com percussão" <b>T</b> .
A bateria descarrega-se mais depressa do que habitualmente.	O estado da bateria não é o ideal.	▶ Averigüe o estado da bateria. → Página 45
A bateria não encaixa com clique audível.	Patilha de fixação suja na bateria.	▶ Limpe a patilha de fixação e volte a encaixar a bateria.
Os LEDs da bateria não indicam nada	Bateria avariada	▶ Dirija-se ao Centro de Assistência Técnica <b>Hilti</b> .
O produto ou a bateria aquece demasiado.	Avaria eléctrica	▶ Desligue imediatamente o produto. Retire a bateria e observe-a. Deixe-a arrefecer. Contacte um Centro de Assistência Técnica <b>Hilti</b> .
O acessório ficou preso no mandril.	O mandril não está completamente puxado para trás.	▶ Puxe o bloqueio da ferramenta para trás, até ao encosto, e retire a ferramenta.
O acessório não avança.	O comutador do produto está na posição "Rotação para a esquerda".	▶ Coloque o comutador de rotação na posição de rotação para a direita.
	Selector de funções na posição "Perfurar sem percussão" .	▶ Coloque o selector de funções na posição "Perfurar com percussão" <b>T</b> .




## 11 Reciclagem

---

### AVISO

**Perigo de ferimentos devido a eliminação incorrecta!** Riscos para a saúde devido à fuga de gases ou líquidos.

- ▶ Não envie quaisquer baterias danificadas!
  - ▶ Para evitar curto-circuitos, cubra as conexões com um material não condutor.
  - ▶ Elimine as baterias de modo a mantê-las longe do alcance das crianças.
  - ▶ Efectue a reciclagem da bateria na sua **Hilti Store** ou entre em contacto com a empresa de recolha de lixo responsável.
- 

 Os produtos **Hilti** são, em grande parte, fabricados com materiais recicláveis. Um pré-requisito para a reciclagem é que esses materiais sejam devidamente separados. Em muitos países, a **Hilti** aceita o seu aparelho usado para reaproveitamento. Para mais informações, dirija-se ao Serviço de Clientes **Hilti** ou ao seu vendedor.



- ▶ Não deite as ferramentas eléctricas, aparelhos electrónicos e baterias no lixo doméstico!
- 

## 12 Garantia do fabricante

---

- ▶ Em caso de dúvidas quanto às condições de garantia, contacte o seu parceiro **Hilti** local.

## 13 Mais informações

---

Pode consultar informações mais pormenorizadas sobre Utilização, Tecnologia, Meio ambiente e Reciclagem na seguinte hiperligação: [qr.hilti.com/manual?id=2264936](https://qr.hilti.com/manual?id=2264936)

Também pode encontrar esta hiperligação no final da documentação sob a forma de código QR.



 **NURON**



<b>B 22-85 (01)</b>	3.95 Ah	0,77 kg	1.70 lb	<b>C 4-22</b>
<b>B 22-110 (01)</b>	5.10 Ah	0,92 kg	2.03 lb	<b>C 6-22</b>
<b>B 22-170 (01)</b>	7.90 Ah	1,34 kg	2.95 lb	<b>C 8-22</b>





Hilti Corporation  
LI-9494 Schaan  
Tel.:+423 234 21 11  
Fax:+423 234 29 65  
[www.hilti.group](http://www.hilti.group)



2264936