

# MULTI-FUNCTION MASSAGE CHAIR WITH LIFT, HEAT & USB



MODEL # BT-L8796A51



**Questions, problems, missing parts?** Contact technical support department at **657-341-0362, 9:00 a.m. - 5 p.m., PST, Monday - Friday** or email us at **[cs@scsources.com](mailto:cs@scsources.com)**

Please have your model number ready



## IMPORTANT SAFETY INFORMATION

- When using an electrical appliance, basic precautions should always be followed.
- Always unplug the lift chair from the power source after use, and before cleaning.
- Do not reach for lift chair if large amounts of liquid have spilled on it. Unplug immediately.
- The chair should never be left unattended when plugged in. Unplug from the outlet when not in use, before putting on or taking off parts or attachments.
- Do not use outdoors.
- Do not carry this appliance by the supplied power cord using it as a handle.
- Keep the cord away from heated surfaces.
- Close supervision is necessary when this appliance is used by or near children, invalids or disabled persons.
- This unit is not a toy. Children should not use or play with it.
- Do not operate where aerosol (spray) products are being used or where oxygen is being administered.
- To disconnect, press the OFF button, make sure all functions are stopped, then remove the plug from the outlet.
- Use this appliance only for its intended use as described in this manual. Do not use attachments that haven't been provided with the unit. This appliance is not Intended use for persons (including children) with reduced physical, sensory or mental Capabilities, or lack of experience and knowledge, unless they have been given supervision or instruction concerning use of the appliance by a person responsible for their safety, children should be supervised to ensure that they do not play with this appliance.

# HEALTH PRECAUTIONS

- If you have any concerns regarding to your health, consult your doctor before using this product.
- Individuals with pacemakers should not use this product.
- If you have pain in a muscle or joint after using for a prolonged period of time.
- Discontinue using and consult your doctor. Persist pain could be a symptom of a more serious condition.

# MAINTENANCE

## STORAGE INSTRUCTIONS:

Place unit in its box or safety dry and cool place. Avoid form sharp edges or pointed objects which might cut or puncture the fabric. Do not wrap power cord around the unit. DO NOT pull the unit by the power cord.

## CLEANING INSTRUCTIONS:

- Ensure the unit is unplugged from the power source, before before cleaning.
- Do not use any liquid to clean. Clean fabric cover by wiping with a damp sponge, using a mild detergent or suds. Pat with clean, dry cloth.

## TECHNICAL SPECIFICATIONS

Rated Voltage :110V-240V~

Rated Frequency :50Hz/60Hz

Operating Current:2000mA

# FREQUENTLY ASKED QUESTIONS

**Q. I can't find the power cord and remote control. Where is it located?****A.** The chair's accessories are packed together and attached to the arm rest bracket.

**Q. My chair does not recline/lift. Why?**

**A.** On the remote control you must **PUSH** and **HOLD** the **UP** or **DOWN** button.

**Q. Can the heating feature be used independently?**

**A.** No, the heating function can only be used with the massage mode.

**Q. I have a medical device, such as a pacemaker, can I use this chair?**

**A.** Please consult your doctor first before using this device.

**Q. I turned on the heat mode, but I can't feel anything.**

**A.** The heating feature can take up to 30 min to feel the effects.

**Q. How is the chair constructed?**

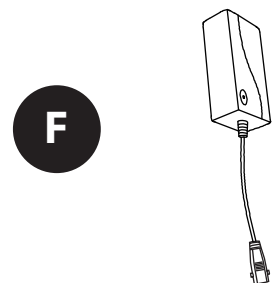
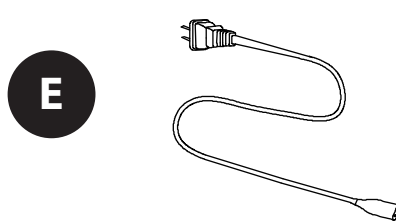
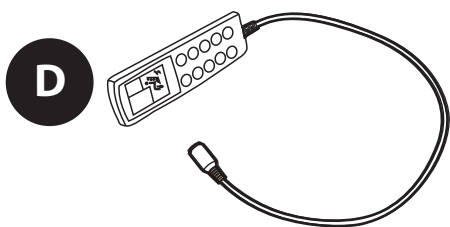
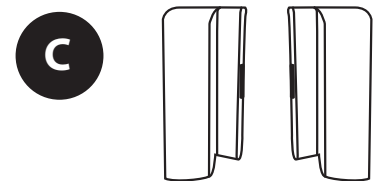
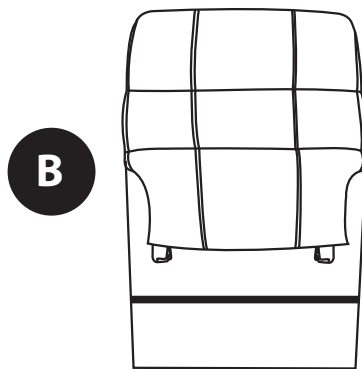
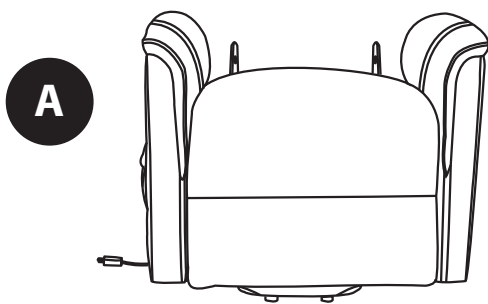
**A.** The chair has a steel frame and pressed wood construction with high density foam.

# ASSEMBLY INSTRUCTIONS

## GENERAL INFORMATION, TIPS & TRICKS

1. Please read this instruction prior to assembling this product.
2. To avoid damage, assemble this product on a non-abrasive surface such as carpet.
3. This product is intended for residential use only. Commercial applications are not permitted.
4. Please make sure you have all parts before assembly, located underneath the chair seat bottom.

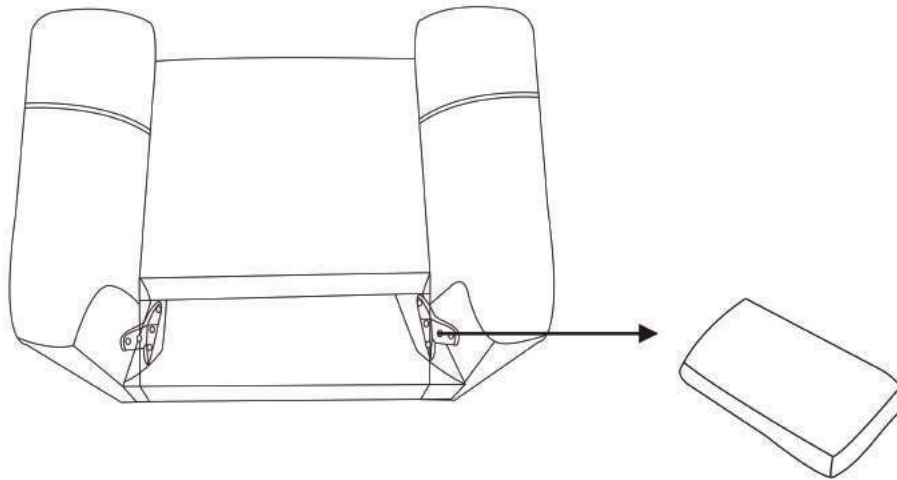
## PARTS LIST



- A.** Chair Bottom
- B.** Chair Back
- C.** Chair Side Bolster- 2x
- D.** Remote Control
- E.** Power Cord
- F.** Power Transformer

## Step 1

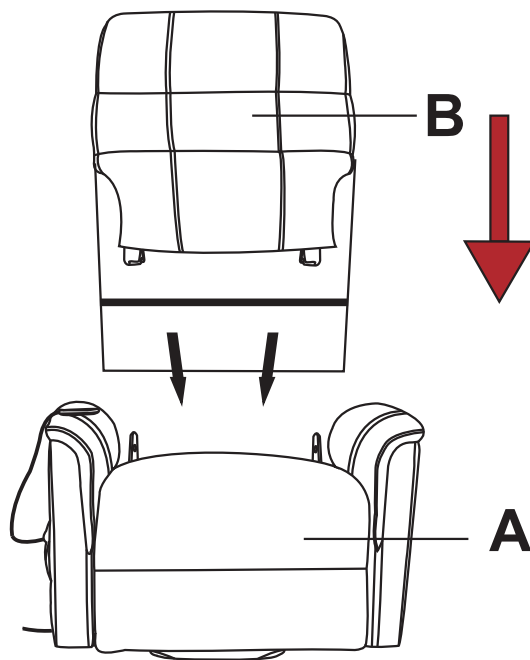
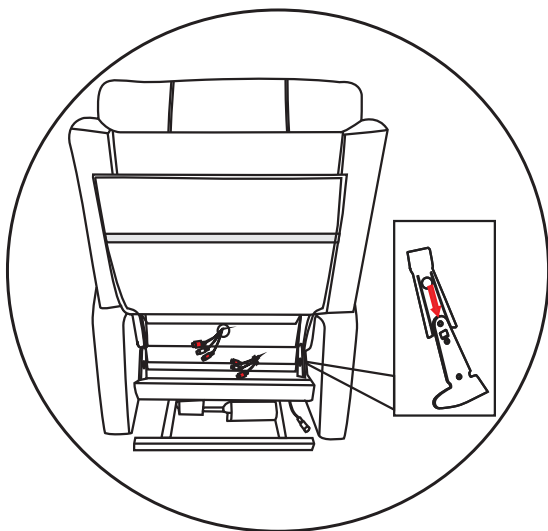
Locate the transformer (F) & wire plug (E) and remote control (D) secured to the hinge bracket of the seat.



## Step 2

Attach backrest (B) to main frame (A) by aligning the metal grooves on backrest to brackets on the main frame as shown.

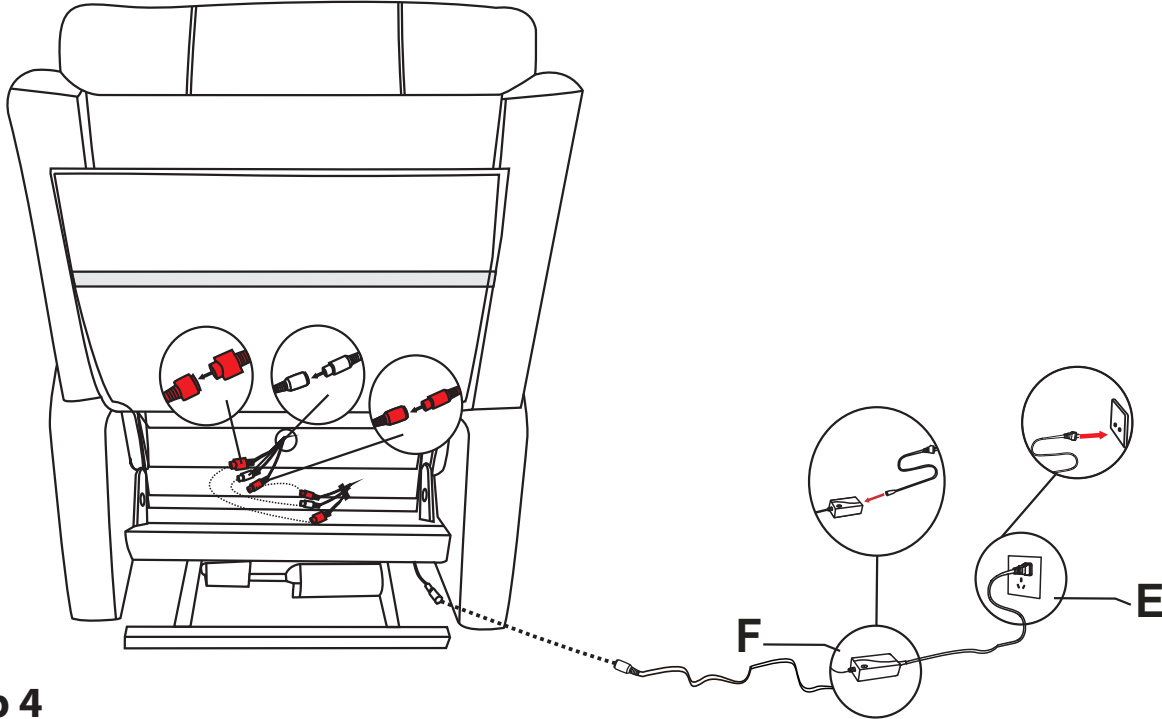
Ensure the backrest (B) slides down fully over the brackets on the main frame (A) and firmly press down to secure in place.



### Step 3

A. Connect the three wires attached to backrest (B) with wire plugs attached to the seat (A) according to the corresponding plug type and color as shown below.

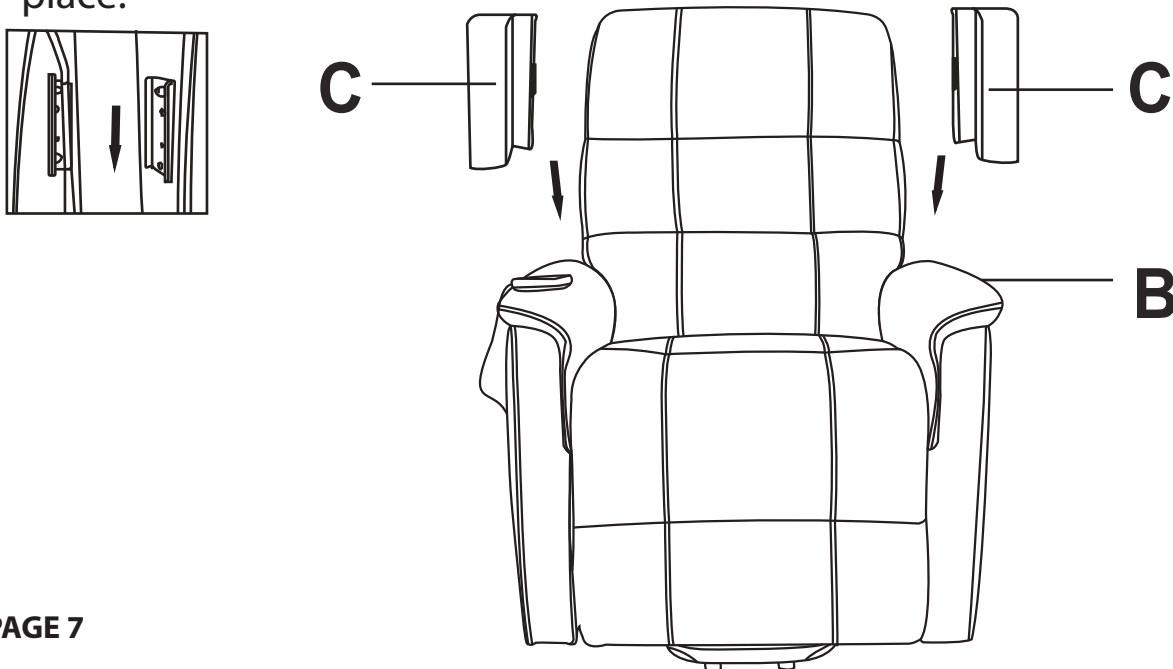
B. Connect the transformer (F) control to power cord (E) and then wall outlet.



### Step 4

Attach the chair bolsters (C) to the back sides (B) by aligning the metal grooves on each side.

Make sure to slide the bolsters (C) down fully and press firmly to secure in place.



# REMOTE CONTROL



1. Massage Timer Indicator Light
2. Massage Mode Indicator Light
3. Intensity Indicator Light
4. Heat ON/OFF Indicator Light
5. HEAT ON/OFF Button
6. Power ON/OFF Button
7. Massage Point Area Button

8. Massage MODE Button
9. Massage TIMER Button
10. Intensity Select Button
11. Backrest RECLINE Button
12. Backrest UP Button
13. RECLINE Button
14. LIFT Button



# OPERATING INSTRUCTIONS

- Press **POWER** to start the massage. Click to button massage modes 1 through 6 .The unit will power off in 15 minutes unless changed. The unit's default intensity is set to 2 unless changed.
- Press **POWER** to **POWER OFF** the unit.
- Press **HEAT** button to **ENABLE OR DISABLE** heating function.
- Press **POINT** button to cycle between massage areas such as back, thighs, legs or buttocks. The # indicator light will illuminate on the remote control.
- Press **MODE** modes adjustment button , auto, gentle, wave, squeeze,tap, knock, click on the button.
- Press **TIMER** to set the power off timer up to 30 minutes in 5 minute increments. Default operation time is 15 min.
- Press **INTENSITY** button on the remote control to cycle the massage intensity. The indicator strength on the remote control **||||||** will increase from 1 to 3 in one level increments



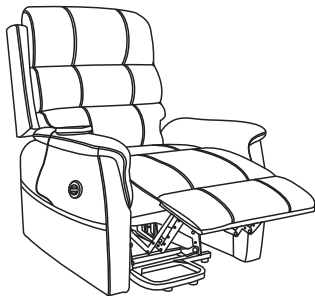
• Increase or Decrease **BACKREST RECLINE**



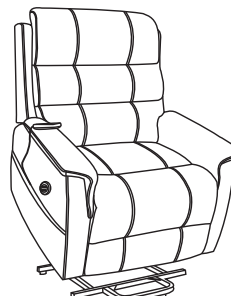
• Press and HOLD to **RECLINE CHAIR**



• Press and HOLD to **LIFT CHAIR**



**HOLD DOWN BUTTON  
TO RECLINE**



**HOLD UP BUTTON  
TO LIFT**

## WARNING INFORMATION

- To prevent the chair from tipping over, gently sit down on the chair and avoid throwing yourself onto it. Move the chair into the reclining position slowly, making sure that no children or pets are in close proximity.
- Do not allow children to play on or around the chair, particularly when it is in the reclined position.
- Close the recliner completely before standing.
- Never sit on the footrest when it is extended.
- To eliminate the risk of tip over, do not sit on the arms or footrest.
- The chair is designed to be used by a single adult at a time.
- Maximum bearing weight is 230 lbs.
- Prevent the following people from using this chair: People with severe symptoms of heart disease, high blood pressure, cerebral thrombosis and any people who are sensitive to heat, or people with bad bones, pregnant women, children, and other people who is not suitable to use this product. This is not a medical device.
- To fully recline the chair a minimum distance of 40 inches from the wall or any obstacle directly behind the chair is required.
- Keep any open flames away from the product.
- Keep sharp objects such as knives, nails, etc. away from the product.
- Prevent water and liquids from the chair to avoid damage such as staining or discoloration to the material and fabric of the chair.

## CLEANING & SPECIAL CARE

1. Avoid collision when moving the chair. Move the chair carefully.
2. For light stains spot treat the chair using an approved cleaner or mild detergent. **DO NOT USE SOAPY WATER** or **WAX** based cleaners. Using a sponge carefully wipe away stains and dry with a soft cloth.
3. To avoid discoloring do not place the unit in direct sunlight or in the direct path of an air conditioning vent.

# 1 YEAR LIMITED WARRANTY

The manufacturer warrants this unit against defects in materials and workmanship on functional parts, for a period of 1 year from the original date of purchase. Your sales receipt showing the date of purchase of the product is your proof of purchase. Keep it in a safe place for future reference. This warranty is subject to personal use only, commercial or rental applications will not be covered.

This product is made with the highest quality materials and is warranted to be free from defects in materials and workmanship at the time of purchase. This limited warranty applies to products manufactured or distributed by the manufacturer, are delivered in the continental United States or Canada and extends to the original purchaser, or gift recipient. This warranty becomes valid at the time of purchase and terminates either by the specified time frame listed above and/or owner transfer. Any refunds or monetary compensations must be claimed through the place of purchase (retailer), and not through the manufacturer. Any extended warranties (warranties that cover above and beyond this manufacturer warranty) that are sold through a retailer or third party, are not directly correlated with this products' limited warranty, and may be redirected to said retailer or third party for coverage.

This warranty extends through the manufacturer of the product, and covers functional parts only. Cosmetics are not covered, unless unequivocally determined it is a workmanship defect. Shipping damage should be addressed with the shipping company, retailer, or place of purchase, not the manufacturer unless the manufacturer was the direct shipper.

The manufacturer's sole obligation under this warranty shall be limited to furnishing the original purchaser replacement parts for units deemed repairable by the supplier's warranty department. The purchaser is responsible for insuring any parts shipped or returned, if desired. The purchaser is responsible to prepay any shipping charges (both ways) including, but not limited to taxes and duties. All exchanged parts and products replaced under this warranty will become the property of manufacturer. The manufacturer reserves the right to change manufacturers of replacement parts or products for use, in order to cover any existing warranty. The purchaser may be asked to provide the supplier with proof of purchase documents (including the date of purchase) if requested. Any evidence of alteration, erasing, or forgery of proof of purchase documents will be just cause to VOID this limited warranty. Products, in which the serial number has been defaced or removed are not eligible for warranty coverage.

This warranty does not apply if the unit has been subject to negligence, fabrication, misuse, abuse, or repairs, alteration by non-manufacturer authorized personnel, inappropriate installations, or any case beyond the control of the manufacturer. Examples of warranty invalidation may also include, but are not limited to:

- Outdoor applications
- Normal wear/tear/weathering including but not limited to fabric stains / peeling.
- Pet/consumer accidents
- Purchases from dealers unauthorized by the manufacturer (Authorization in writing)

The manufacturer shall not be liable for any loss due to use (or misuse) of the unit or other incidental or consequential costs, expense or damages without irrefutable foundations. Under no circumstances shall the manufacturer or any of its representatives be held liable for injury to any person or damage to any property, however arising. Any implied warranty shall have duration equal of the applicable warranty stated above. Specifications are subject to change without notice or obligation.

This limited warranty gives the original purchaser specific legal rights. Other rights may vary from state to state.

**NEED HELP? CONTACT US:** Monday – Friday, 9 am – 5 pm  
PST **657-341-0362** or Email us: **[cs@scsources.com](mailto:cs@scsources.com)**