



Features

- Flange helps prevent water from seeping behind wall and simplifies alcove installation.
- 12-1/2" soaking depth.
- Left drain.
- Bath is less prone to cracks during transportation and installation than Acrylic FRP.
- Boot adds rigidity to the bottom of the bath, creating less flexing of the bath's structure when standing or sitting in it.
- Integral lumbar support.
- Textured bottom surface.
- Available exclusively at The Home Depot.
- 60" (1524 mm) x 31" (787 mm) x 19-3/8 (492 mm)

Material

- Acrylic-capped ABS.

Installation

- Alcove

Recommended Accessories

K- 37383 30" Rough-in Cable Bath Drain



ADA **CSA B651** **OBC**

Codes/Standards

CSA B45.5/IAPMO Z124
Greenguard UL 2818 - Gold
ADA
ICC/ANSI A117.1
CSA B651
OBC

KOHLER® One-Year Limited Warranty

See website for detailed warranty information.

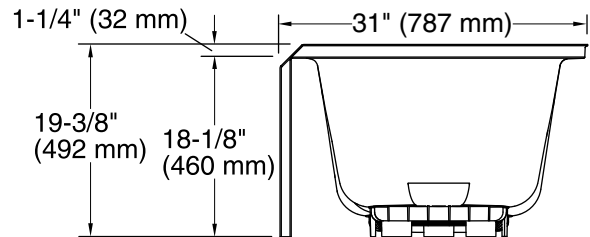
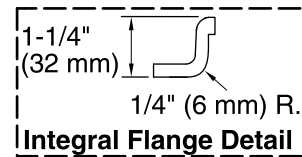
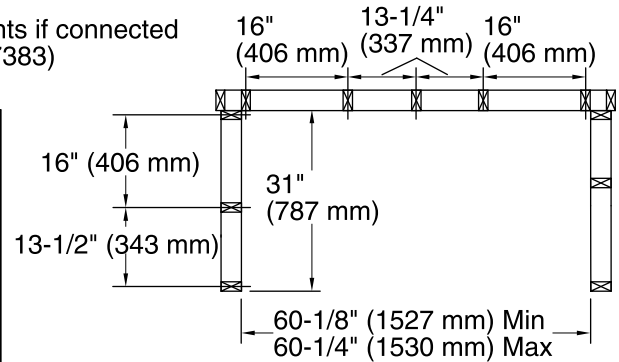
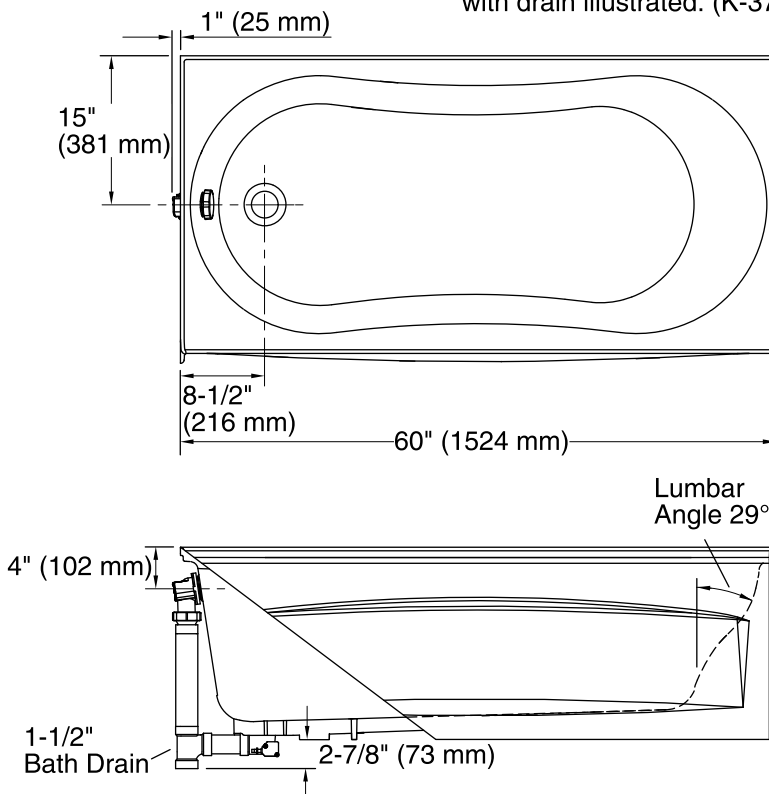
Available Color/Finishes

Color tiles intended for reference only.

Color Code Description

 0 White

No change in measurements if connected with drain illustrated. (K-37383)



Technical Information

All product dimensions are nominal.

- Installation: 3-Wall Alcove
- Drain location: Left
- Water depth: 12-1/16" (307 mm)
- Water capacity: 46.11 gal (174.5 L)
- Minimum flat for door: 1-5/8" (42 mm)

Notes

- Measure your actual product for rough-in details.
- Install this product according to the installation instructions.
- The hot water supply should be 70% of the capacity of the bath or greater. Installations will vary.
- Ensure that the back wall support block has a stud located in the center.
- Ensure the apron flanges are supported by the studs.
- ADA, OBC, CSA B651 compliant when installed to the specific requirements of these regulations.