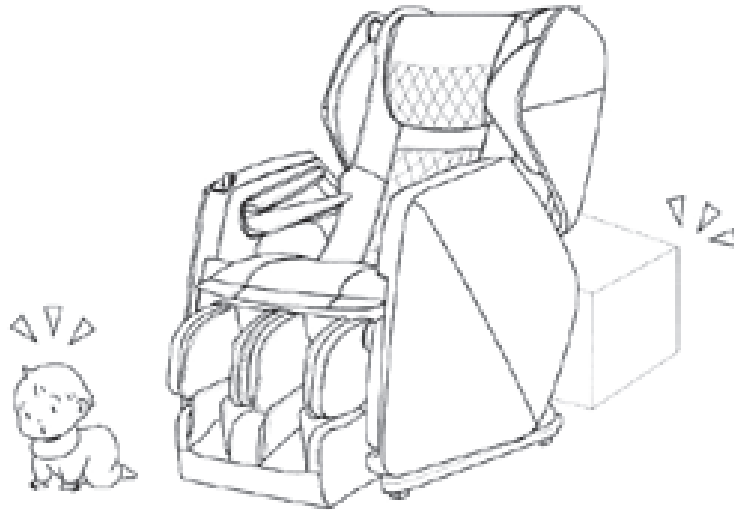


# Preparation before Use

---

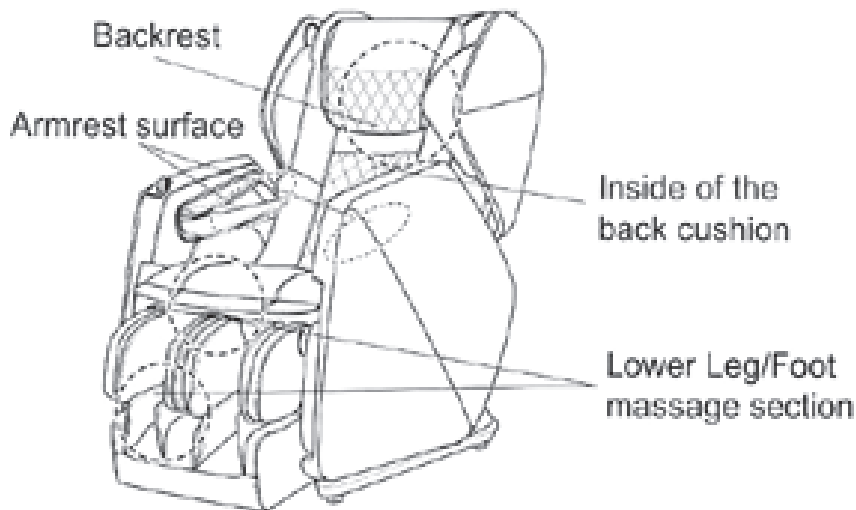
## 1. Check the space around the product.

Make sure there is no person, pet, or other object close to the product.



## 2. Make sure there is no foreign matter in the seams of the product.

- Before sitting on the product, make sure there is no foreign matter between any two parts of it.
- Do not put hands, arms or head between the backrest and the back cover.
- Do not put pets on the product (such as its back cover, backrest and armrests).

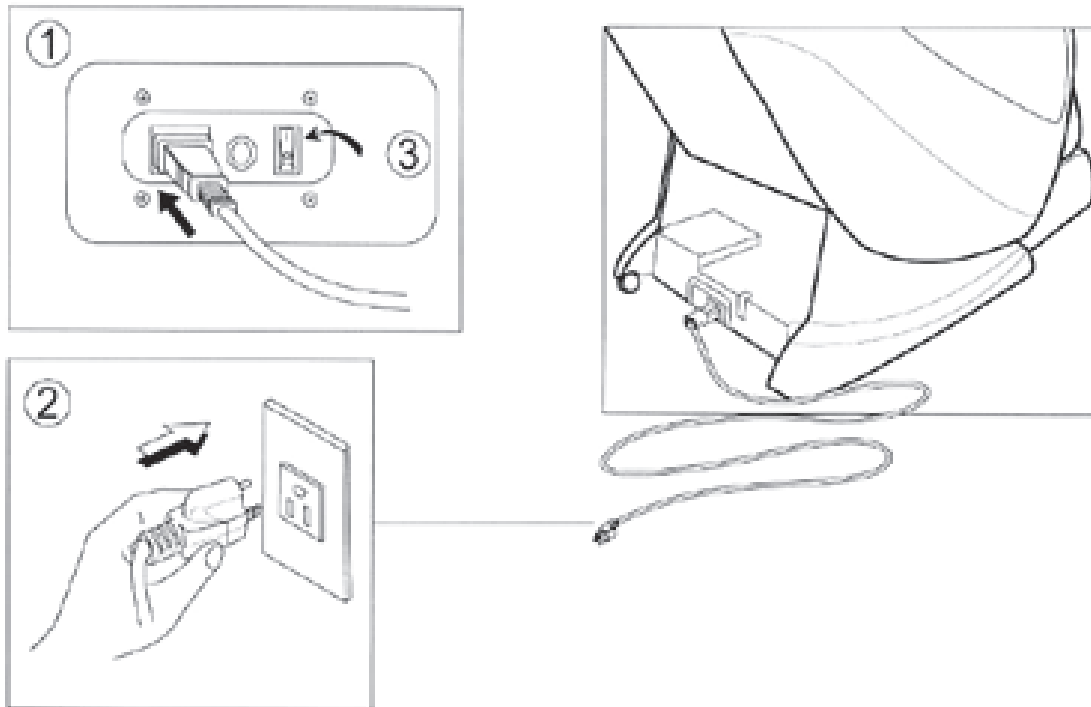


## Preparation before Use

---

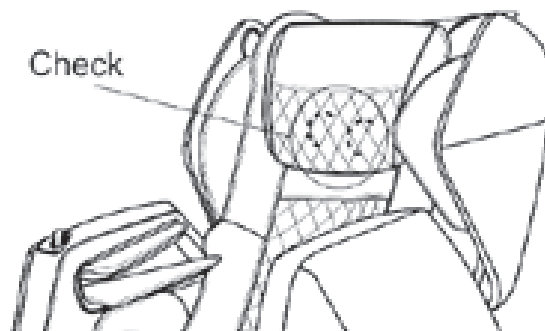
### 3. Power on the product

- ① Push the power connector into the appliance inlet till the end.
- ② Insert the power plug into the power outlet till the end.
- ③ Turn the switch to "I" position



### 4. Make sure the massage rollers are retracted.

If they are not, press ON button to return them to the retracting position.

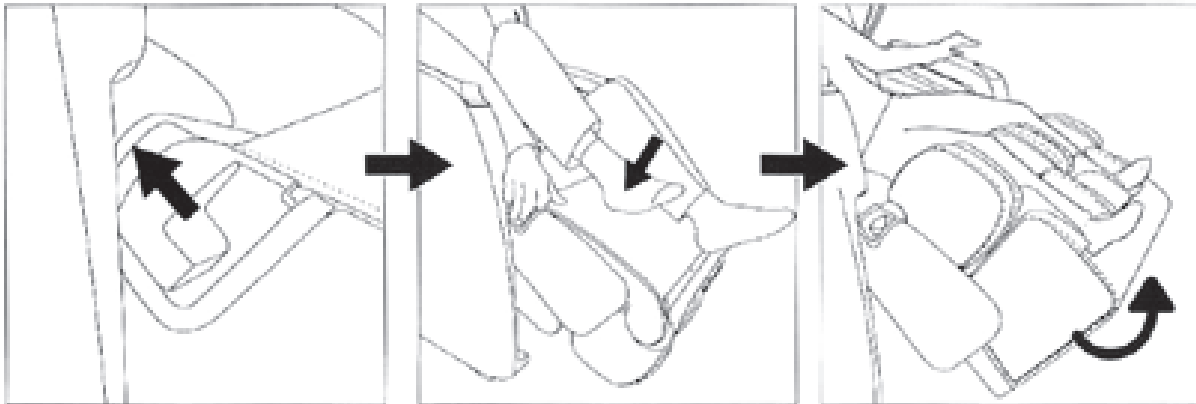


## Preparation before Use

---

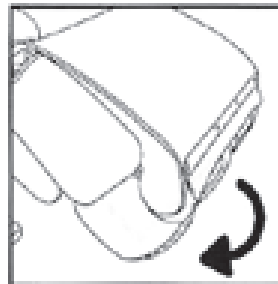
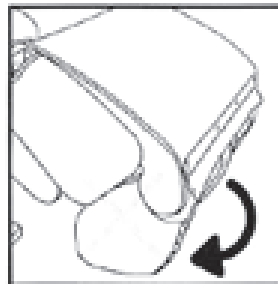
### 5. How to use the foot massage

- ① Pull the switch to unlock the foot massager.
- ② With a light step, you can turn over the legrest.



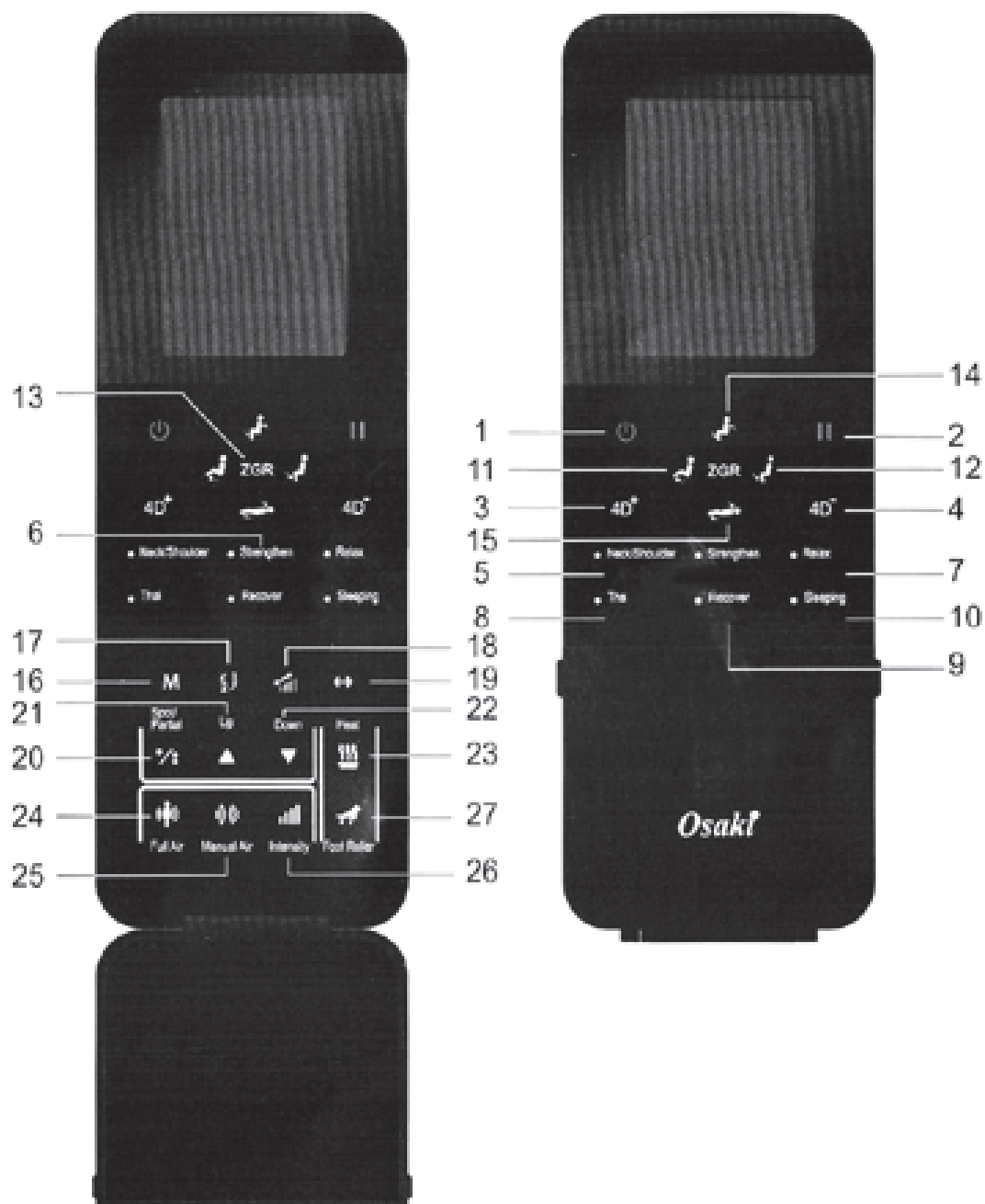
### WARNING

- Foot massager restoration  
Make sure foot massager reset to the correct position  
(as following picture shows).  
If not, may result in fabric or whole chair damaged.



# How to Use

## Controller



# How to Use

---

## Product Operation Guide

Connect to the power supply, then turn the switch to "I" position, thus the chair will be in idle mode, and the backrest angle will reach the highest position as well as the footrest angle will reach the lowest position. During its idle mode, there are only five functions: ON/OFF, Incline, Recline, Incline Leg, Recline Leg that can be operated.

## Control Buttons for the Massage Chair

### 1. ON/OFF

#### The Start/Stop Control Button

Press once on this button, the LCD backlight and ON/OFF button will be lit. Press any massage function button to start the chair's massage functions. This will also start the timer function. Press this button again to stop all massage functions, and the massage rollers & backrest & leg-rest will return to their position.

### 2. Pause

#### The Pause Button

When the chair is in massage mode and the user wants to temporarily pause it, press the Pause Button and all massage functions will stop. The "Pause" button will be blinking and the set time countdown will be paused as well. Press the Pause button again to resume the original massage function, the set time countdown will continue.

### 3/4. The 4D Adjustment

Press the Left/Right to adjust the 4D massage roller forward/backward respectively.

There are 5 different levels available for adjustments to suit various massage strength requirements.

# How to Use

---

## Auto program

If the either 1 of the 6 auto program is activated, chair will automatically performing a shoulder height scan. And the theme will go to shoulder adjustment automatically, user can manually adjust the shoulder height position to the desire comfortable position before auto program start.

The following are the auto program available:

### 5. Neck/Shoulder

### 6. Strengthen

### 7. Relax

### 8. Thai

### 9. Recover

### 10. Sleeping

### 11/12. Incline Leg / recline Leg

Angle Adjustment Control Button for Footrest

These two control buttons can adjust the massage angle on the footrest .

Press once on the Incline Leg or Recline Leg control button, and the Footrest will start to move;

When the Footrest reaches the desired comfortable position, press the button again to stop it.

### 13. Zero-G

Press this button to activate Zero-G1 function in default, press the button again to activate Zero-G2 function, and press again to return to the idle position.

Note: If this button is pressed while moving to Zero-G1, the massage chair will stop at the latest angle. If Zero-G button is not pressed while moving to Zero-G1, the mas-sage will stop at the preset Zero-G1 angle. Same conditions apply to Zero-G2 function.

## How to Use

---

### **14/15. Backrest Incline / Recline**

Angle Adjustment Control Button for Massage Chair

These two control buttons can adjust the Backrest Inclining/Reclining angle respectively.

Press once on the Inclining or Reclining control button, and the Backrest will start to move. When the Backrest reaches the desired comfortable position, press the button again to stop it.

### **16. Manual Massage Function**

KNEADING, TAPPING, SWEDISH, SHIATSU, CLAPPING, ROLLING

Press this button to activate the rhythmic kneading manual massage function for a full back massage at medium strength. Every time this button is pressed, the manual massage function will change in the sequence of KNEADING> TAPPING>SWEDISH>SHIATSU> CLAPPING> ROLLING>Stop.

### **17. Direction of Manual Massage Function**

When the manual massage function is operating, press this button to change the rhythmic mode of manual massage between 1 and 2.

### **18. Speed**

The Speed Adjustment Button for backrest -5 levels of speed can be adjusted. After activating manual massage function, every time the button is pressed, the speed can be adjusted to from weak to strong.

### **19. Width Adjustment**

Back massage width adjustment button- 3 level available

After activating the tapping, clapping, shiatsu or rolling function, user can touch the button to adjust massage width, total 3 level available( narrow, medium, wide).

## **How to Use**

---

### **20. Spot / Partial**

The Spot or Partial Back massage

This button allows the user to select spot massage for any part on the back.

Press this button once to activate spot massage at the required location.

Press this again to switch to partial function.

The Partial Back massage

While running spot massage, when this button is pressed again, the massage will change from spot to partial. the massage will take the spot position as the centre to perform partial massage at a distance of approximate 8 cm. Press again to the stop the function.

### **21/22. Upward / Downward**

The massage position adjustment button for spot and partial massage

When the manual or automatic shoulder scanning can't meet individual requirements, you manual fine tune the shoulder height location by pressing up /down button within sound 10 seconds. Once appropriate location found release the key, the final position will be lock.

Note: In the spot or partial massage, you can also use these two buttons to adjust the massage position.

### **23. Heat**

Every time this button is pressed, the heat massage function will change in the sequence of mechanism heating > knee/leg heating > mechanism /knee/leg heating > stop.

### **24. Full Body Air Pressure Massage**

Full Body Air Pressure massage

Press once to activate the air-pressure massage at full body Press again to stop the function.



## **How to Use**

---

### **25. Manual Air**

#### Setting Air Squeeze

Every time this button is pressed, the manual air-pressure massage function will change in the sequence of LEGREST>ARMREST>SHOULDER>STOP.

### **26. Intensity**

The Intensity Adjustment Button for Air-pressure- 5 levels of intensity to be adjusted.

After activating the air-pressure function(Auto and Manual), press this button to adjust the intensity in the cycle.

### **27. Foot Roll**

#### Foot roll function Start/Stop Control Button

Press once to activate the roller on foot, press again to stop the foot roll function.

### **End Operation**

Please press the "ON/OFF"button after use, and the chair will stop its operation, while the massage rollers will return to their original position; then switch the power supply button under the chair to"O"position and unplug the machine from the electrical outlet.

# Cleaning and maintenance

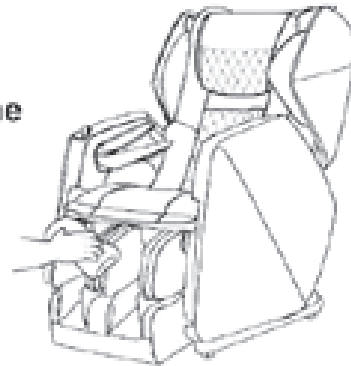
## 1. Cleaning of the synthetic leather

Wipe the synthetic leather with a soft dry cloth.

- Do not clean the product with chemicals such as thinners, gasoline and alcohol.
- When using a leather maintenance product (cleaning cloth) sold on the market, follow its directions for use.
- If the synthetic leather is very dirty, wipe it with the method below.

- ① Put a piece of soft cloth into water or 3% to 5% neutral detergent contained hot water and wring it out.
- ② Wipe surface of the synthetic leather with the soft cloth.
- ③ Wipe the detergent with a piece of cloth once soaked in clean water and wrung out.
- ④ Wipe with a piece of wrung soft cloth.
- ⑤ Have the synthetic leather take natural air drying.

- If it is difficult to remove the stains on the synthetic leather, soak a piece of melamine foam bought from the market into a neutral detergent and use it wipe the product.
- Do not dry the surface by a hair drier.
- Surface of the synthetic leather may be dyed by fabric colors; therefore, be careful when wiping the product with denim or colored cloth.
- Synthetic leather may discolor, so the position in contact with the hair dye used should be covered by a towel.



## 2. Cleaning of the plastic parts

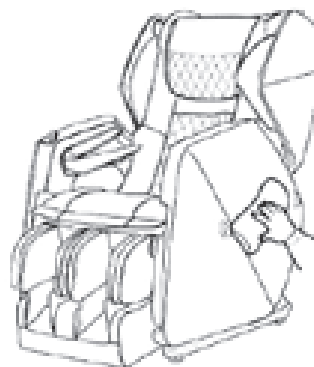
- 1) Put a piece of soft cloth into water or neutral detergent contained hot water, wring it out and wipe the plastic parts.

- Do not clean the product with chemicals such as thinners, gasoline and alcohol.

- 2) Wipe with a piece of cloth once soaked in clean water and wrung out.

- Wring the cloth out before using it to wipe the remote controller.

- 3) Have the plastic parts take natural air drying.



# Troubleshooting

---

This page summarizes the most common problems you could encounter with the product. If you are unable to solve the problem with the information below, contact service center immediately.

If the problem encountered is not listed, please try the following suggestions:

1. Turn off the product and unplug it.
2. Wait for 60 minutes.
3. Plug the product back to the recommended outlet and restart.
4. If the problem persists, contact the authorized service center.

Problem	Possible Cause	Suggestion
The product does not work	The product is not plugged in properly.	Ensure the voltage on the product corresponds to the local mains voltage and then plug in again. Make sure the outlet is properly working.
The product stopped working	The product has just finished its auto timer session and has automatically switched to standby mode.	If you want another session, press the Power button again.
The product stopped working	You may have used the product continuously for 45 minutes where the over heat protection has been activated.	Unplug the product and let it cool down for 60 minutes before you use it again.
The product does not work	An excessive load has been applied on the product.	Reduce the excessive load and start again.
The product is abnormally warm	The product is likely to be overused.	Unplug the product and let it cool down before using it again.
Noise can be heard from the product	Noise is made by the mechanical parts of the product.	This is normal and does not mean that the product is faulty.