

Installation Manual

NORITZ AMERICA
CORPORATION

Vent Kit for Condensing Tankless Gas Water Heater

Model: EZ2FVK-1 (Flex Vent 2" Kit 25 feet)

[Applicable Model]

- [EZTR40] NRC663-FSV
- [EZTR50] EZ98DV (GQ-C2859WX-FF US)
- [EZTR75] EZ111DV (GQ-C3259WX-FF US)

Potential dangers from accidents during installation and use are divided into the following three categories. Closely observe these warnings, they are critical to your safety.



DANGER

DANGER indicates an imminently hazardous situation which, if not avoided, will result in death or serious injury.



WARNING

WARNING indicates a potentially hazardous situation which, if not avoided, could result in death or serious injury.



CAUTION

CAUTION indicates a potentially hazardous situation which, if not avoided, may result in minor or moderate injury.

DANGER :

- Never use this Vent Kit other than for the Applicable Model (including the model manufactured by others) designated in this manual.

WARNING :

- If the information in this manual is not followed exactly, a fire or explosion may result causing property damage, personal injury or death.
- Do not install only with the EZTR Start-up Guide. Read this manual also before installation.



Prohibited



Be sure to do



CAUTION

Requests to Installers

- This manual is for the vent components for the designated tankless water heater. For the installation of the Tankless Water Heater itself, read the installation manual packed with it.
- In order to install this vent kit correctly, read this installation manual carefully, and follow the installation instructions.
- Failures and damage caused by erroneous work or work not as instructed in this manual are not covered by the warranty.
- Check that the installation was done properly in accordance with this installation manual upon completion.
- After completing installation, place this installation manual in a plastic pouch and attach it to the side of the water heater, or hand it to the customer to retain for future reference.

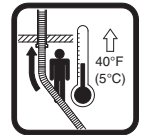
Installation must conform with local codes, or in the absence of local codes, the National Fuel Gas Code, ANSI Z223.1/NFPA54-latest edition.

Noritz America reserves the right to discontinue, or change at any time, the designs and/or specifications of its products without notice.

1. General Information

Property damage, personal injury or death can result if these instructions are not followed. They are a guide for professional installers generally familiar with the installation and maintenance of heating equipment and related vent systems.

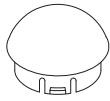

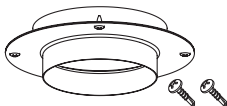
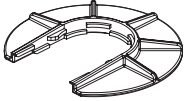
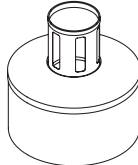
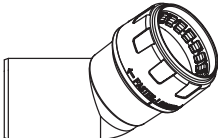
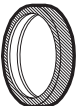
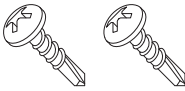
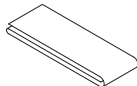
- Flex Vent 2" Kit is designed only for the installation inside of B-Vent as sleeve. Do not use it for other installation method. Also do not use it outdoor.
- Do not use for anything other than designated Tankless Water Heater (including the model manufactured by others).
- Flex Vent 2" Kit can be installed at zero clearance to combustible materials.
- Appliances can be started up immediately after Flex Vent 2" Kit is installed and inspected.
- Flex Vent 2" Kit vent systems expand and contract slightly during heating cycles and must be installed following included instructions.
- Keep Flex vent greater than 40°F(5°C) during installation. Damage will occur if handled or installed at lower temperatures.
- Information regarding certification of "Flexible vent pipe and connections".

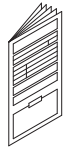

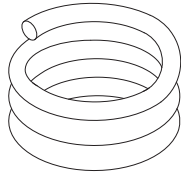
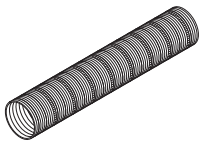


Standard(s)	ULC-S636-08 Standards for type BH Gas Venting Systems
Product	25Feet-Flex Pipe 2"-LE , Flex Vent 2" Rigid 45 Elbow Set - LE
Brand name	Living Engineering Co., Ltd.

2. Included Accessories

The following accessories are included.
Check for any missing items before starting installation.

	Part	Shape	Q'ty
Bag "Step-1"	Flex Feeder		1
	Base Junction Support • Clamp x3		1
	Base Junction Adapter Set		1
Bag "Step-2"	Top Flex support		1
	Universal Rain Cap		1
Bag "Step-3"	Rigid 45 Elbow SET		1
	Flex 2" Vent Gasket		1
	Fastening Screws		2
	Aluminum tape		1

Part	Shape	Q'ty
Installation Manual (This document)		1
EZTR 25 Feet Start Up Guide		1
Flex Pipe 2" approximately 25 feet		1
Flex Sleeve		1

3. General Safety



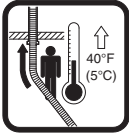


DANGER

Checkup

- If similar flexible vent has already been installed, it must be replaced with this designated new Flex Vent Kit.



WARNING

- Flex Vent 2" Kit is designed only for installation inside of B-Vent wall. Do not use it for other installation method. Also do not use it outdoor.
 - Only approved for use with the designated B-Vent manufactures.
 - If the Rain Cap and B-Vent itself are damaged by corrosion, it must be replaced with new ones.
 - Before installation, make sure no nails or screws have penetrated the inner B-Vent wall where the flexible vent will be installed. Those obstructions may damage the flexible vent and may result in fires, property damage or exposure to Carbon Monoxide.
 - Do not reuse the flexible vent once it has been installed, removal of the vent may have caused damage to the flexible vent.
 - Keep Flex vent at a temperature greater than 40°F(5°C).
Material temperature is not less than 40°F(5°C) during installation.
Damage will occur if handled or installed at lower temperatures.
- 
- If the temperature is below 40°F(5°C) it's recommended that you store the flexible vent in a warm room or car for 30 minutes. If you find that the flexible vent is still stiff, you may need to use a hair dryer and warm both ends of the pipe to prevent breakage.
 - Make sure components are kept under these following conditions.
 - ※ Clean and dry place.
 - ※ Above 40°F(5°C)
 - ※ Keep out of direct sunlight.
- 
- 
- Minimum bend radius should be more than 7 inch.
 - Handle the flexible vent carefully.
Dropping, Crushing and Stacking may cause damage, and may result in fires, property damage or exposure to Carbon Monoxide.
 - Flex Vent 2" Kit cannot be painted.
 - Avoid places where open flame are common, such as those where gasoline, benzene and adhesives are handled, or places in which corrosive gases (ammonia, chlorine, sulfur, ethylene compounds, acids) are present.
 - Avoid installation in places where dust or debris will accumulate.
Dust may block the air-supply opening, causing the performance of the device fan to drop and incomplete combustion may occur as a result.
 - Avoid installation in places where special chemical agents (e.g., hair spray or spray detergent) are used.
 - For your safety, do not attempt to work on a rooftop until safety precautions have been identified and proper fall safety measures have been taken, including the use of ladders or stairways, and personal protective equipment (PPE).
 - Installation in windy or wet conditions require additional precautions. Follow local safety regulations.

⚠ CAUTION

- Check for any damage to components that may have occurred during transportation before installation.
- Consult with the customer regarding the location of installation.
- Do not install this Flex Vent 2" Kit in a place where it may be subject to falling objects, such as under shelves.
- Flex Vent 2" Kit vent systems expand and contract slightly during heating cycles and must be installed according to supplied instructions.

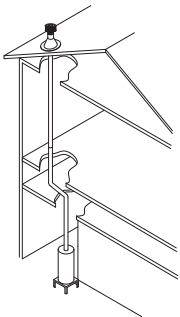
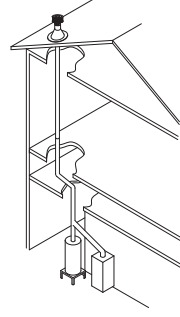
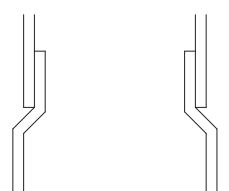
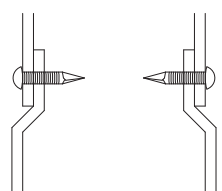
4. Before Installation (Check the condition of installation site)

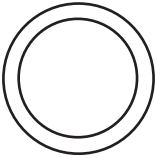
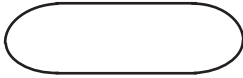
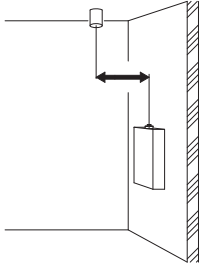
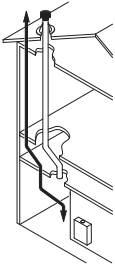
Check that the following items are "(OK) Can be installed" before installation.
 If all items are "(OK) Can be installed", proceed to the next step, "6. Installation".

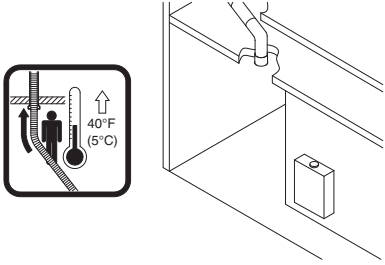

PAUSE FOR A MOMENT

Verify if the installation of a rain cap of different appearance will conflict with Home Owners Associations rules to prevent future issues.

If NOT, contact customer service at 1-866-766-7489 to purchase optional installation kit for the existing Rain Cap.

Check point	Can be installed(OK)	Cannot be installed(NG)	Mark " ✓ " if each condition is matched.
1. Vent system.	Vent system is used by 1 appliance only	Common vent	
			
2. No Screws or nails protruding within the B-Vent	No	Yes (If Yes to protruding screws or nails, flex vent cannot be installed.)	
			

Check point	Can be installed(OK)	Cannot be installed(NG)	Mark "✓" if each condition is matched.
3.B-Vent shape	Round	Oval	
			
4.B-Vent diameter	3" or 4"	5" or larger	
5.Horizontal distance between B-Vent connection from the ceiling and the unit is no more than 5ft.	5ft or less	More than 5 ft	
			
6.Vent length from the top of unit to the rain cap.	25 feet or less	More than 25 feet	
	 <p data-bbox="555 1255 1003 1318">If you need more than 25 feet of Flex pipe contact Noritz America 1-866-766-7489</p>		

Check point	Can be installed(OK)	Cannot be installed(NG)	Mark "✓" if each condition is matched.
7.Ambient temperature where unit is installed.	More than 40°F (5°C)	40°F (5°C) or less *Refer to page 4	
			
8. Accessibility to Rain Cap	Can access Rain Cap	Cannot access Rain Cap(High pitch etc.)	
			

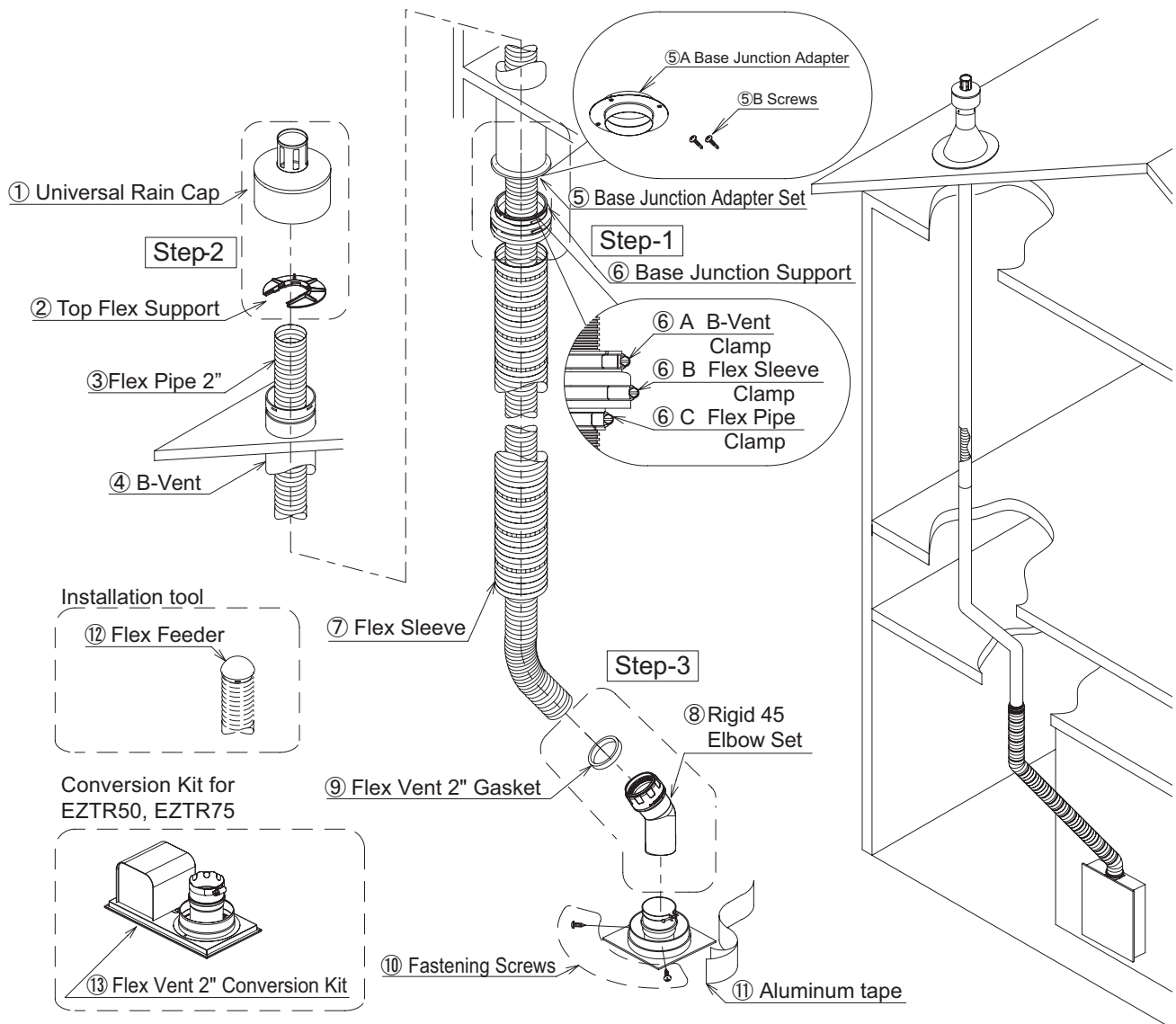
5. Sample of the Venting system

- The pictured image of the system consisted of this Vent Kit and the explanation of the name of the components

The image of the Flex Vent 2" Kit system is as listed below.

Only when the venting components and the water heater are installed correctly, the customer can use the hot water correctly and safely.

The numbers before the names of the components are corresponding to the same component names as in step "6. Installation".



6. Installation

In the installation, some work will be done above the roof, extra care and fall protection may be required. Take extra care and responsibility to do the installation as safely as possible.

WARNING :

- For your safety, do not attempt to work on a rooftop until safety precautions have been identified and taken including without limitation fall protection measures, ladders or stairways, and personal protective equipment (PPE).
- Installation in windy or wet conditions require additional precautions. Follow local safety regulations.



Be sure to do

【Maximum Vent lengths】

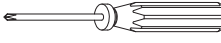
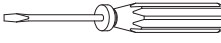

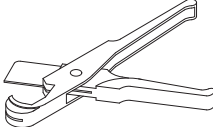
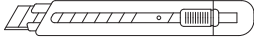
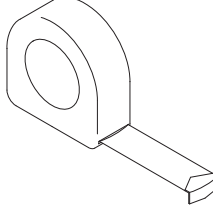
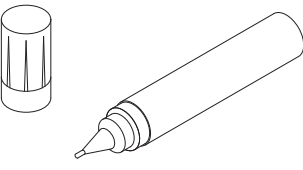
- Max. Straight Vent Length: 35'(10.5m). Note that the kit comes with approximately 25' of venting. If you need more than 25 feet of Flex pipe contact Noritz America 1-866-766-7489.
- Max. allowable 45 degree elbows(B-Vent) are 2 elbows.
 - * Not including "⑧ Rigid 45 Elbow Set"
 - * No 90° elbows(B-Vent)



Be sure to do

- Only when the all conditions of "4. Before Installation (Check the condition of installation)" are satisfied, proceed with the installation, following the below mentioned installation procedure.

2. Tools necessary for the installation

①Screwdriver	②Cutting tool	③Tape Measure	④Marker
 <ul style="list-style-type: none"> •Phillips head <div style="border: 1px dashed black; padding: 5px; margin-top: 10px;">  <ul style="list-style-type: none"> •Flat head <p style="text-align: center;">or</p>  <ul style="list-style-type: none"> •Box wrench(5/16") </div>	<ul style="list-style-type: none"> •For cutting the flexible vent.  <ul style="list-style-type: none"> •PVC Cutter  <ul style="list-style-type: none"> •Box Cutter etc. <p>※Hand saws are not approved for cutting.</p>		

3. Installation Procedure

Follow the below motioned procedure and install correctly. Specially, be sure to check each 【Point】 carefully. If not installed correctly, the water heater will not function properly.



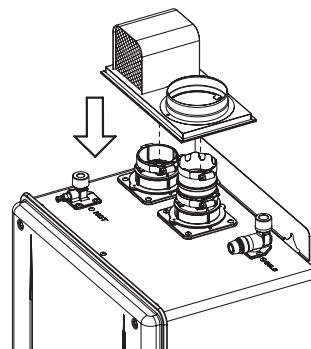
Be sure to do

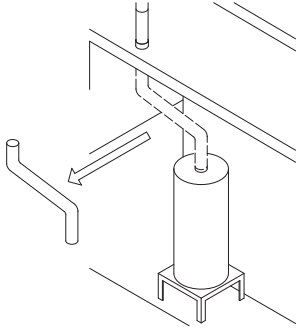
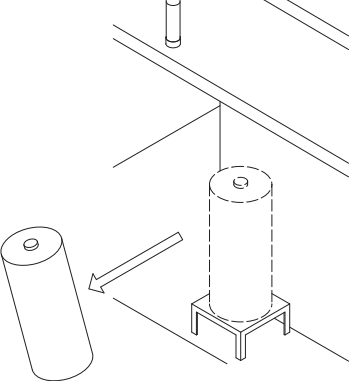
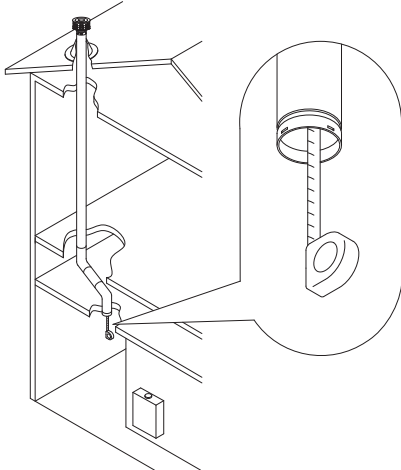
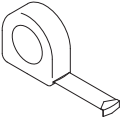
- Only use the parts provided in the package for construction. Using parts other than the ones provided may cause the product to be assembled incorrectly.

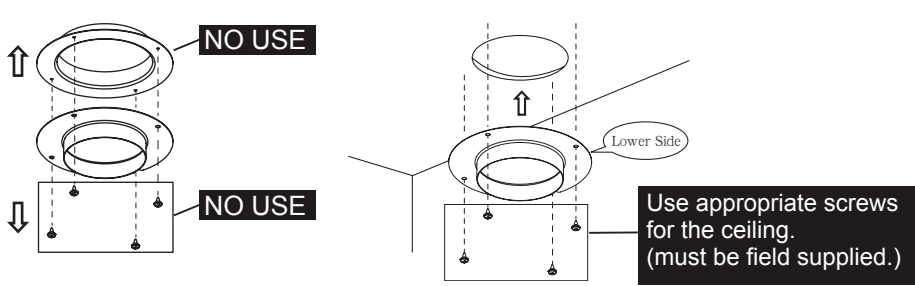
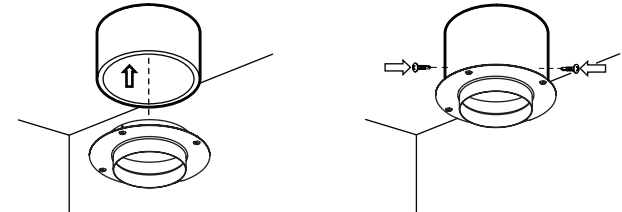
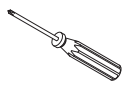
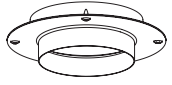

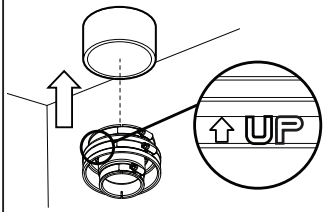
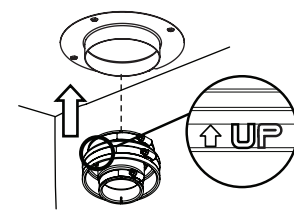
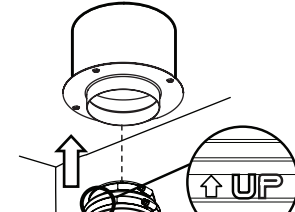
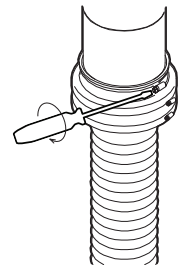
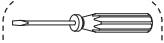
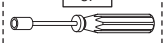
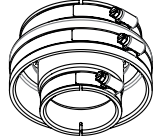
For [EZTR50] EZ98DV(GQ-C2859WX-FF US)
[EZTR75] EZ111DV(GQ-C3259WX-FF US)

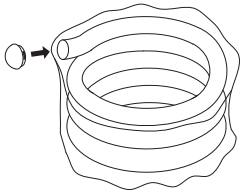


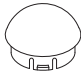
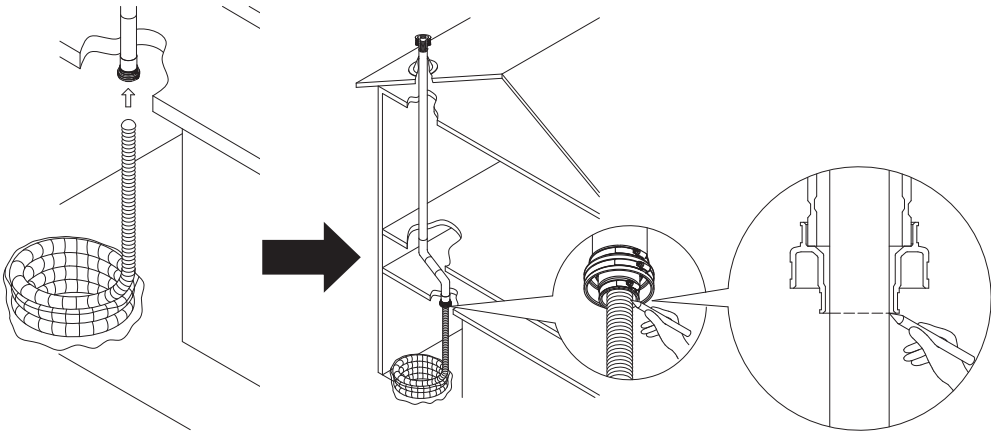




Follow the instruction in the Flex Vent 2" Conversion Kit Installation Manual to install the Flex Vent 2" Conversion Kit.

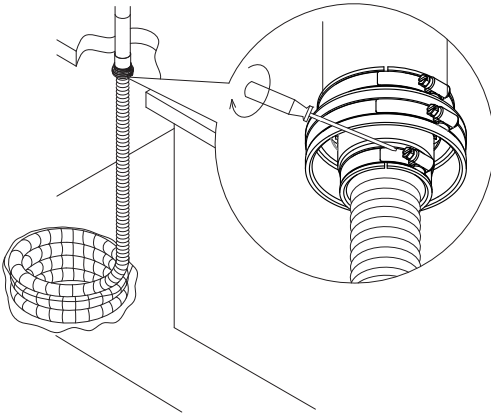
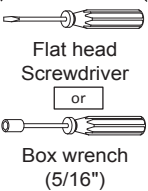
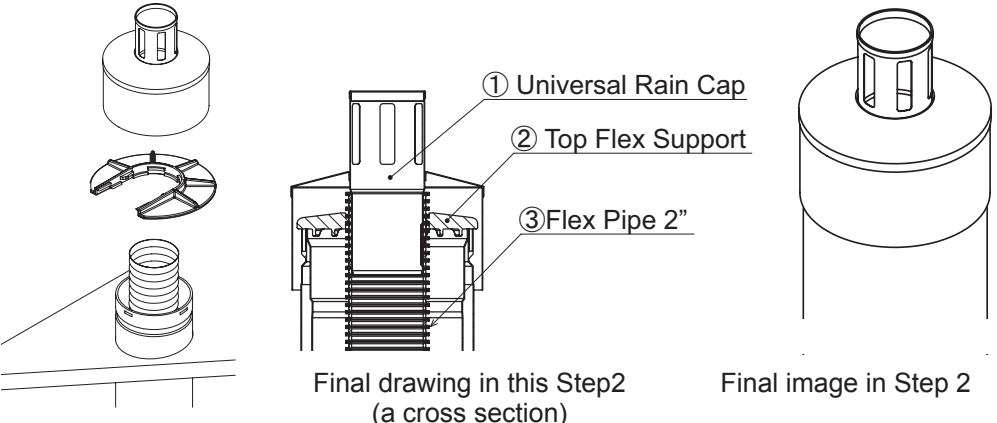
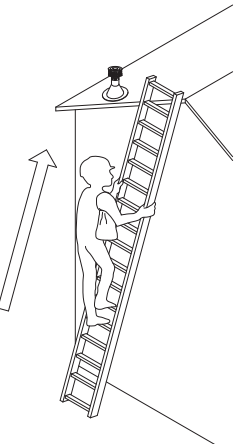
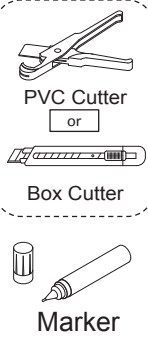

Note : This manual illustrates installation for the NRC663-FSV.
Installation for other models may vary slightly.

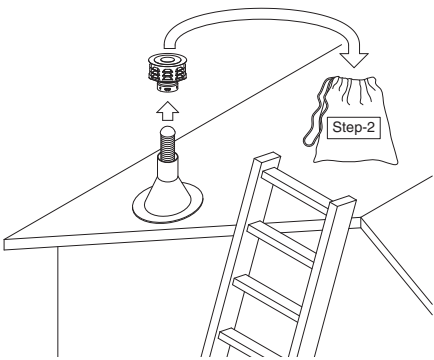
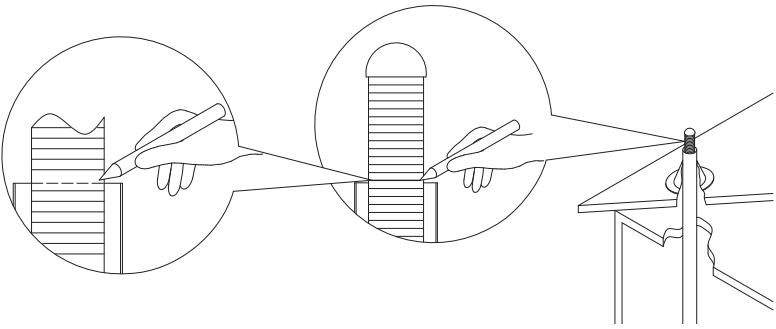

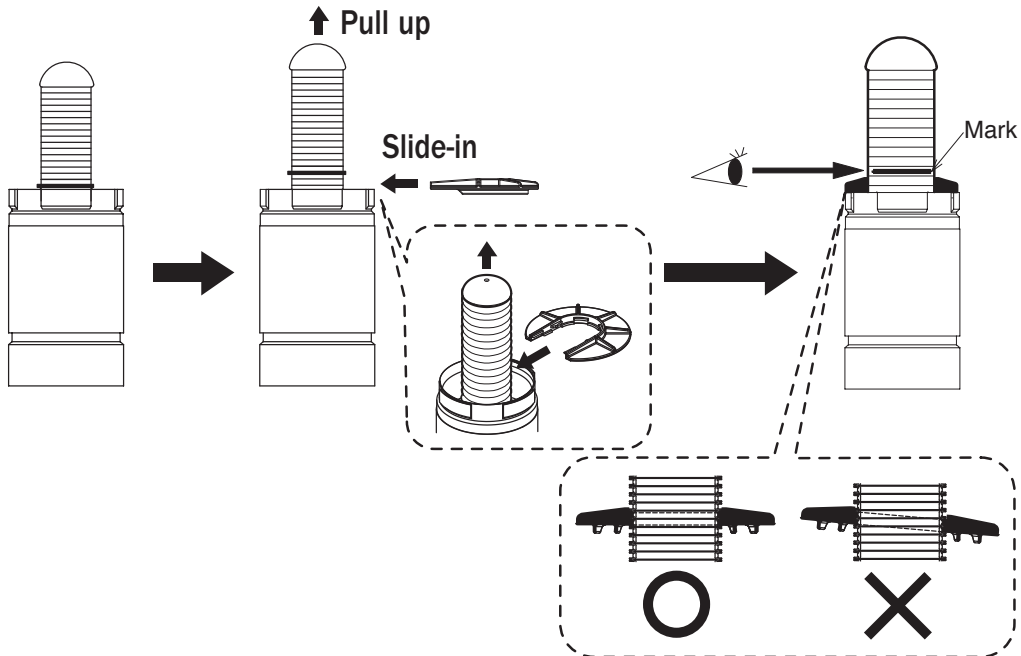
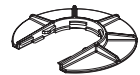


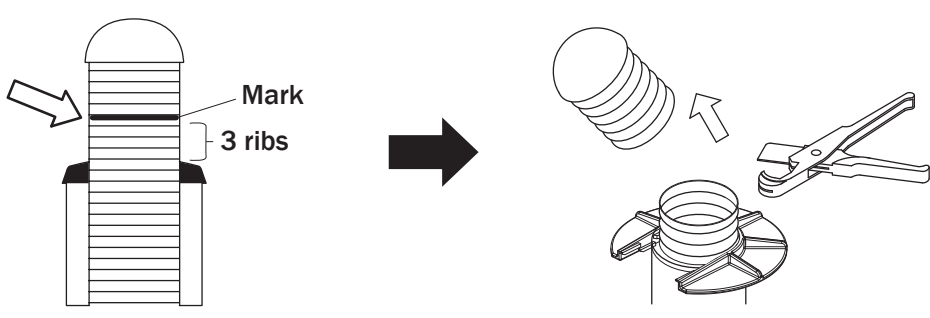
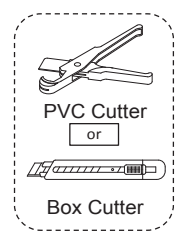
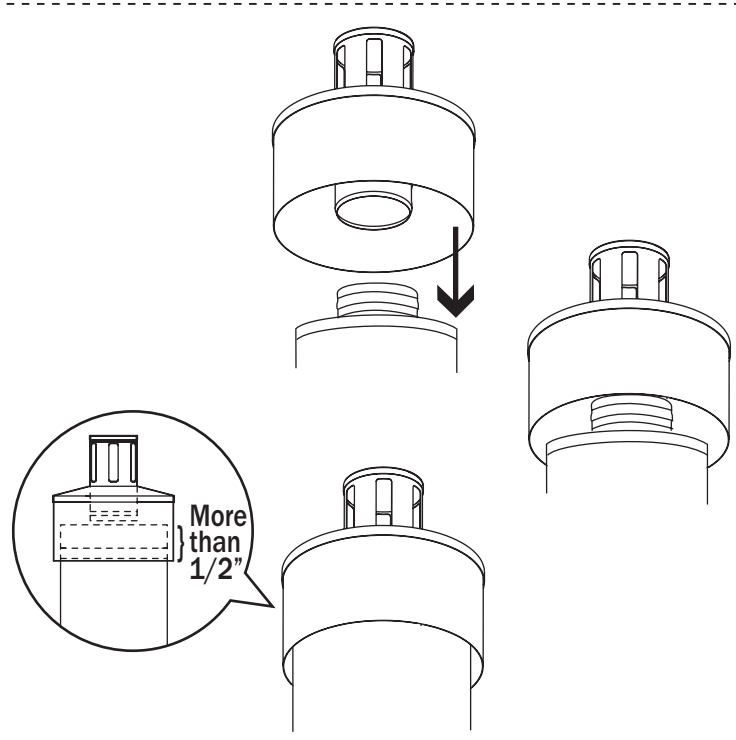
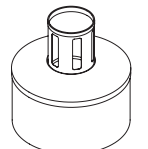
Step	Installation Procedure(ex. @Garage)	Necessary Tool
Step-1 (Work where equipment is installed)	1 Remove the B-Vent between bottom of ceiling and tank type water heater. 	
	2 Drain and remove the tank type water heater. 	
	3 Use a measuring tape to measure from the bottom of the "④B-Vent" to the roof termination to get the total length of the vent run. ※The Measured vent run length will be used in procedure No. 23 later. Make a note of the Vent Run Length. 	 Tape Measure

Step	Installation Procedure(ex. @Garage)	Necessary Tool
4	<p>Grab Bag Labeled "Step-1" for this step of the installation.</p> <p>Measure "④B-Vent" Diameter</p> <p>※Installation for 3" or 4" where "④B-Vent" does not come down through the ceiling. Remove the four screws from "⑤A Base Junction Adapter" Place and center "⑤A Base Junction Adapter" (Lower side) over the opening of ceiling.</p> <p>Attach "⑤A Base Junction Adapter" with four screws (must be field supplied) to the ceiling.</p>  <div style="border: 1px solid black; padding: 5px; margin-top: 10px;"> <p>! Be sure to do If strength of the ceiling is not sufficient (i.e. plasterboard), take appropriate measures to ensure safe installation.</p> </div> <p>※Installation for 4" "④B-Vent" Insert "⑤A Base Junction Adapter" onto the 4" "④B-Vent" Attach "⑤A. Base Junction Adapter" with two "⑤B Screws" from outer pipe of "④B-Vent".</p> 	 <p>Phillips Head Screwdriver</p>  <p>⑤A Base Junction Adapter</p>  <p>⑤B Screws</p>
5	<p>Insert "⑥Base Junction Support" to the bottom of "④B-Vent" that is sticking out from the ceiling or "⑤A. Base Junction Adapter". Firmly tighten "⑥Base Junction Support" with "⑥A. B-Vent Clamp", be careful not to over tighten, this may distort the rubber. Check to see if it secure by pulling by hand.</p> <p>※The tightening torque should be between 7 and 10 in lb.</p> <div style="display: flex; justify-content: space-around; margin-top: 20px;"> <div style="text-align: center;"> <p><u>Installation for 3" B-Vent</u></p>  </div> <div style="text-align: center;"> <p><u>Installation for no B-Vent Protruding</u></p>  </div> <div style="text-align: center;"> <p><u>Installation for 4" B-Vent</u></p>  </div> </div> 	<div style="border: 1px dashed black; padding: 5px; margin-bottom: 20px;">  <p>Flat head Screwdriver or</p>  <p>Box wrench (5/16")</p> </div>  <p>⑥Base Junction Support</p>

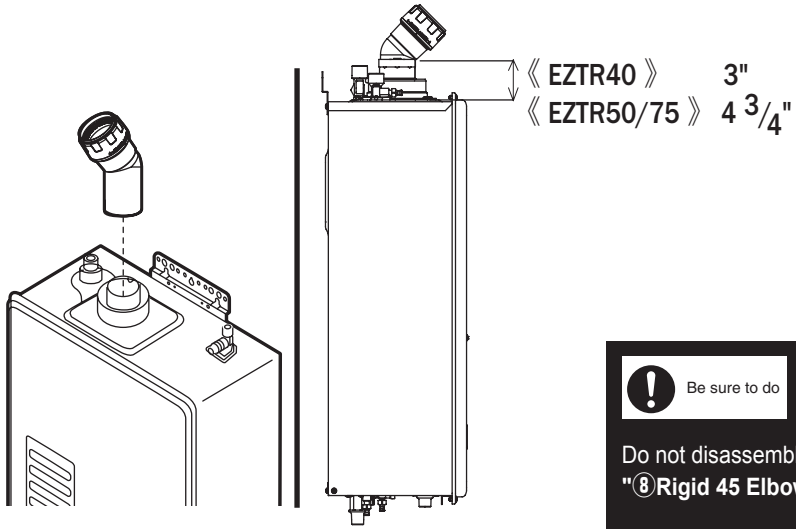
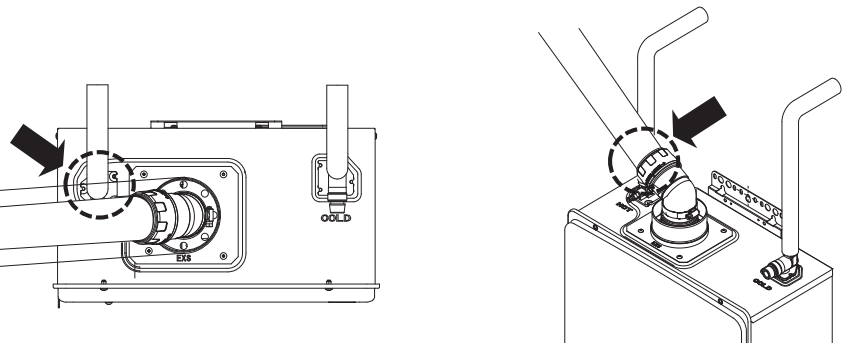

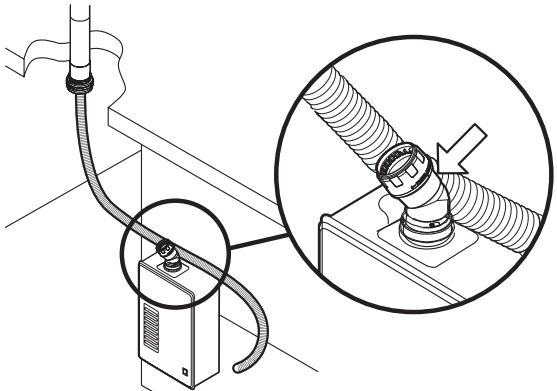

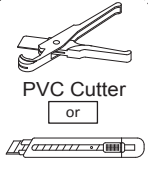
Step	Installation Procedure(ex. @Garage)	Necessary Tool
Step-1 (Work where equipment is installed)	<p>6 Push the "⑫Flex Feeder" into the tip of the "③Flex Pipe 2".</p>  <div style="border: 1px solid black; background-color: #333; color: white; padding: 5px; margin-top: 10px;">  Be sure to do Install the "⑫Flex Feeder" always, even in the case of straight B-Vent runs. ("⑫Flex Feeder" prevents debris from falling into the "③Flex Pipe 2".) </div>	 <p>③Flex Pipe 2"</p>  <p>⑫Flex Feeder</p>
	<p>7 Insert the "③Flex Pipe 2" into the "⑥Base Junction Support" until you touch the inside of the rain cap on the roof. With the "③Flex Pipe 2" fully inserted into the vent, make a mark at the "⑥Base Junction Support" so you can check for movement during the rest of installation.</p>  <div style="border: 1px solid black; padding: 5px; margin-top: 10px;"> <p>[Point] Before inserting, try to straighten curl of the tip of "③Flex Pipe 2" as much as possible. However, when doing so, bending radius should be more than 7 inch.</p>  </div> <div style="border: 1px solid black; padding: 5px; margin-top: 10px;"> <p>[Point] Continue to push "③Flex Pipe 2" strongly until the end and make sure that it does not stop in the middle.</p> </div> <div style="border: 1px solid black; background-color: #333; color: white; padding: 5px; margin-top: 10px;">  Prohibited Do not use the "③Flex Pipe 2" at any jobsite with vent runs longer than 35'. do not join two shorter flex pipes together even if the run is less than 35'. </div> <div style="border: 1px solid black; background-color: #333; color: white; padding: 5px; margin-top: 10px;">  Be sure to do When pushing "③Flex Pipe 2" through the B-Vent, if there is unusual feeling (touching the bump of screw, etc.), do not continue to push in and stop the installation. </div>	 <p>Marker</p>

Step	Installation Procedure(ex. @Garage)	Necessary Tool
Step-1 (Work where equipment is installed)	<p>8 Take extra care to ensure that the "③Flex Pipe 2"" does not slip by checking the mark you made on the "③Flex Pipe 2"". Firmly tighten "③Flex Pipe 2"" with "⑥C. Flex Pipe Clamp", but be careful not to over tighten as it may distort the "③Flex Pipe 2"". Check to see if it is firmly secured by pulling it by hand. ※The tightening torque should be between 7 and 10 in lb..</p> 	 <p>Flat head Screwdriver or Box wrench (5/16")</p>
Step-2 (Work on rooftop)	<p>※ The assembly image figure for all parts in below Step 2 (Procedure 9 ~ 14) Use this Image to check for correct assembly of the components.</p>  <p>① Universal Rain Cap ② Top Flex Support ③ Flex Pipe 2"</p> <p>Final drawing in this Step2 (a cross section)</p> <p>Final image in Step 2</p>	
	<p>9 Grab Bag Labeled "Step-2" and necessary tools for this step of the installation. Climb up on the roof and access the Rain Cap.</p>  <div data-bbox="235 1858 1226 1963" style="border: 1px solid black; padding: 5px;"> <p>[Point] When climbing up on the roof, use appropriate fall protection to guard against falls. Make sure that safety comes first at your own risk.</p> </div>	<p>Ladder Wet Towel</p>  <p>PVC Cutter or Box Cutter</p> <p>Marker</p>  <p>Bag"Step-2"</p>

Step	Installation Procedure(ex. @Garage)	Necessary Tool
10	<p>Take off the existing rain cap and place it on the area where it does not fall from the rooftop. ※Make sure the inside surfaces of the "④B-Vent" are clean to ensure a good seal of the parts in this step.</p> 	Wet Towel
11	<p>Use a marker to mark the original position of the "③Flex Pipe 2'", at "④B-Vent"'s upper tip.</p>  <div data-bbox="240 970 1239 1062" style="background-color: black; color: white; padding: 5px;"> <p>! Be sure to do Mark is very important for the function. Do not skip this step. (Necessary for the next step.)</p> </div>	 Marker
12	<p>Slide-in the "②Top Flex Support" to the "③Flex Pipe 2'".</p>  <div data-bbox="240 1785 1239 1877" style="background-color: black; color: white; padding: 5px;"> <p>! Be sure to do Verify that you can see the mark you made at the top end of the "②Top Flex Support" in the previous step.</p> </div> <div data-bbox="240 1885 1239 1978" style="background-color: black; color: white; padding: 5px;"> <p>! Be sure to do Inert the "②Top Flex Support"'s slit straight into the Flex Pipe groove.</p> </div>	 ②Top Flex support

Step	Installation Procedure(ex. @Garage)	Necessary Tool
Step-2 (Work on rooftop)	<p>13 Use a marker to mark the cutting position.</p>  <p>Mark 3 ribs</p> <p>※All cuts must be made at right angle to the pipe. All field cuts must be deburred. ※Take precaution not to drop debris into "③Flex Pipe 2"". In case debris is dropped, remove from the lower end of the "③Flex Pipe 2"".</p>	 <p>PVC Cutter or Box Cutter</p>
	<p>14 Attach "①Universal Rain Cap"</p>  <p>More than 1/2"</p> <p>! Be sure to do Completely Insert "①Universal Rain Cap" into the "③Flex Pipe 2"", "①Universal Rain Cap" overlap "④B-Vent" by 1/2".</p>	 <p>①Universal Rain Cap</p>

Step	Installation Procedure(ex. @Garage)	Necessary Tool														
Step-3 (Work where equipment is installed)	<p>15 Grab Bag Labeled "Step-3" and necessary tools for this step of the installation. Mount the water heater at the appropriate height according to the chart below, connect the gas, cold and hot water lines, and drain pipes. Follow the equipment's installation manual on how to set the equipment's clearance from combustibles.</p> <p>※The location(height) where equipment can be installed varies by horizontal distance (L) shown below. Follow the below chart and install accordingly.</p> <p>■Equipment installation upper limit height chart by horizontal distance</p> <table border="1" data-bbox="344 373 1247 436"> <tr> <td>Horizontal distance (L)</td> <td>0'</td> <td>~1'</td> <td>~2'</td> <td>~3'</td> <td>~4'</td> <td>~5'</td> </tr> <tr> <td>More than height(H)</td> <td>2'</td> <td>2'</td> <td>2'</td> <td>2.6'</td> <td>3'</td> <td>3'</td> </tr> </table> <div data-bbox="344 472 1258 924"> </div> <div data-bbox="263 949 1263 1054" style="border: 1px solid black; padding: 5px;"> <p>[Point] <u>Before you start the plumbing, imagine where the "③ Flex Pipe 2'" will be ran and account for any clearance needed.</u></p> </div> <div data-bbox="263 1060 1263 1192" style="border: 1px solid black; padding: 5px;"> <p>[Point] <u>Always follow the above chart and determine the equipment's installation location (height).</u> →If it is not followed, there will be nonconformance such as large tension to the final connecting area of the vent pipe and/or can't connect.</p> </div>	Horizontal distance (L)	0'	~1'	~2'	~3'	~4'	~5'	More than height(H)	2'	2'	2'	2.6'	3'	3'	<div data-bbox="1351 231 1474 352"> </div> <p data-bbox="1323 361 1497 394">Tape measure</p> <div data-bbox="1367 430 1458 577"> </div>
Horizontal distance (L)	0'	~1'	~2'	~3'	~4'	~5'										
More than height(H)	2'	2'	2'	2.6'	3'	3'										

Step	Installation Procedure(ex. @Garage)	Necessary Tool
Step-3 (Work where equipment is installed)	<p>16 Insert "⑧Rigid 45 Elbow Set" to the equipment's vent connector pipe. When inserting "⑧Rigid 45 Elbow Set", there is tension when it passes through the o-ring within the equipment's vent connector pipe. Continue to insert "⑧Rigid 45 Elbow Set" until it is firmly seated all the way into the base of the vent connector pipe.</p>  <p> 《EZTR40》 3" 《EZTR50/75》 4 3/4" </p> <div style="border: 1px solid black; background-color: black; color: white; padding: 5px; margin: 10px 0;"> <p>! Be sure to do</p> <p>Do not disassemble "⑧Rigid 45 Elbow Set" to use.</p> </div> <p>[Point] If it interferes with water and hot water piping, adjust "⑧Rigid 45 Elbow Set"'s angle so that it does not interfere. If the contact is unavoidable, take measures such as inserting heat insulator so that it does not have direct contact.</p> 	 <p>⑧Rigid 45 Elbow Set</p>
	<p>17 Follow the next [Point] and cut the "③Flex Pipe 2'" into appropriate length.</p>  <div style="border: 1px solid black; background-color: black; color: white; padding: 5px; margin: 10px 0;"> <p>! Be sure to do</p> <p>At this step, be very careful when cutting the "③Flex pipe 2'". If it is cut too short, you must dispose of the vent or use it on another installation where a shorter length is required. These vent pieces cannot be lengthened.</p> </div>	 <p>Marker</p> <div style="border: 1px dashed black; padding: 5px; margin: 10px 0;">  <p>PVC Cutter or Box Cutter</p> </div>

Step

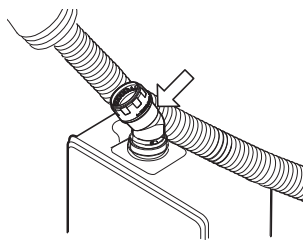
Installation Procedure(ex. @Garage)

Necessary Tool

Step-3
(Work where equipment is installed)

[Point]

When performing the final cut, make the first cut of the "③Flex Pipe 2'" longer to avoid cutting the "③Flex Pipe 2'" too short. It is easy to determine the length by following the [Point] below and matching the dimension using the below figure.



[Point]

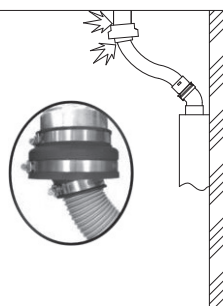
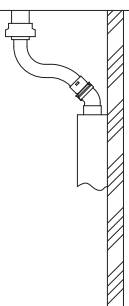
When determining the cut length, take note on the 2 points listed below.

[Point①]

Determine the proper length not giving too much tension to both "⑥ Base Junction Support" and "⑧ Rigid 45 Elbow Set".

[Correct installation]

[Incorrect installation]



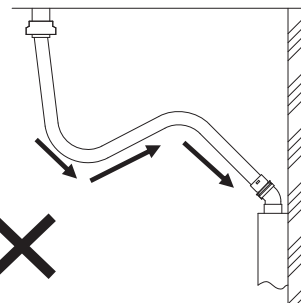
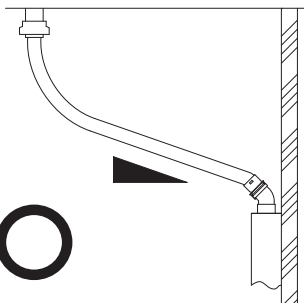
When the vent pipe is too short, there will be tension to those parts.

[Point②]

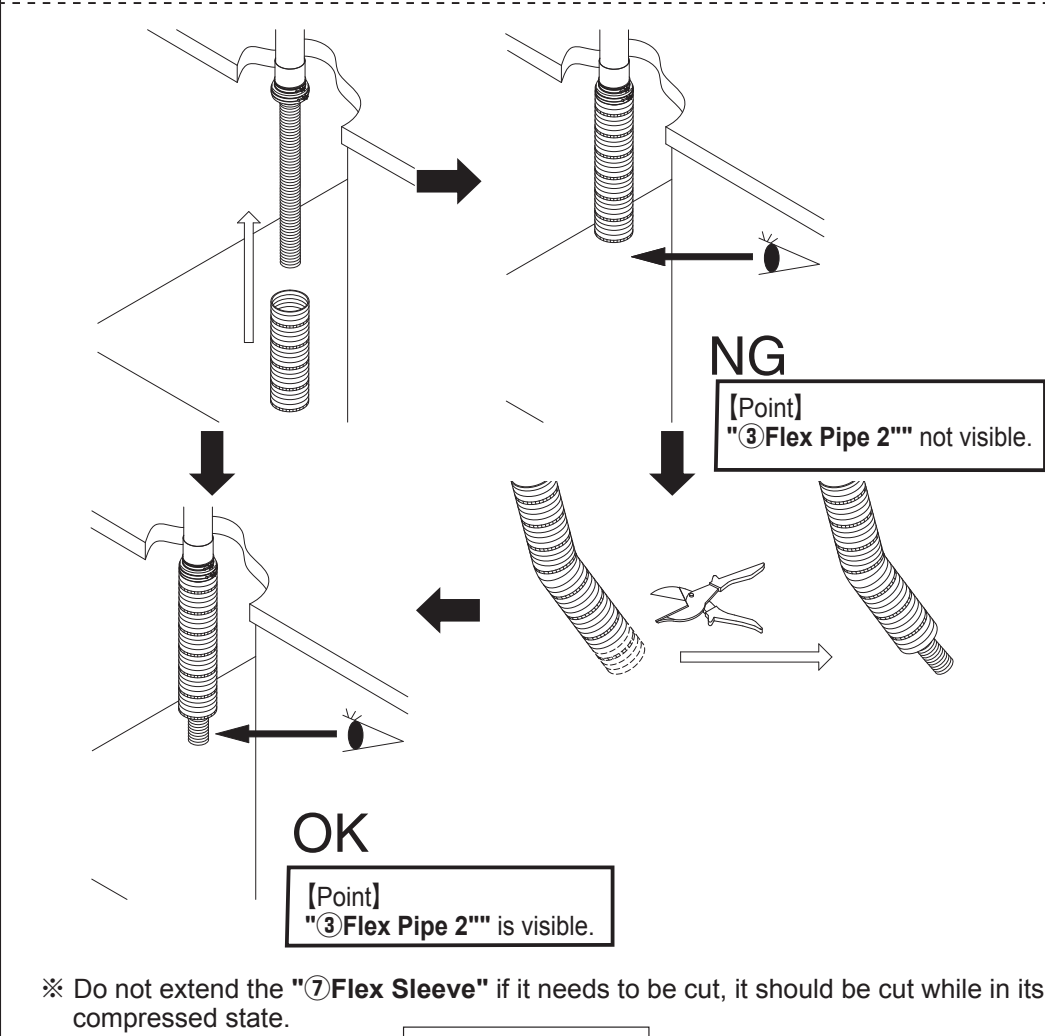

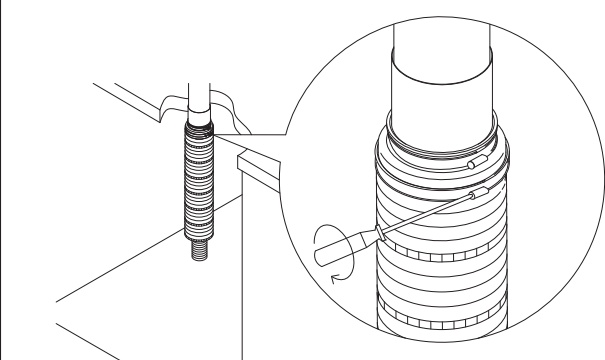
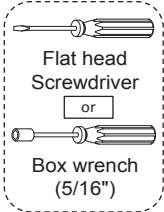
Be careful not make trap configuration of "③Flex pipe 2'".

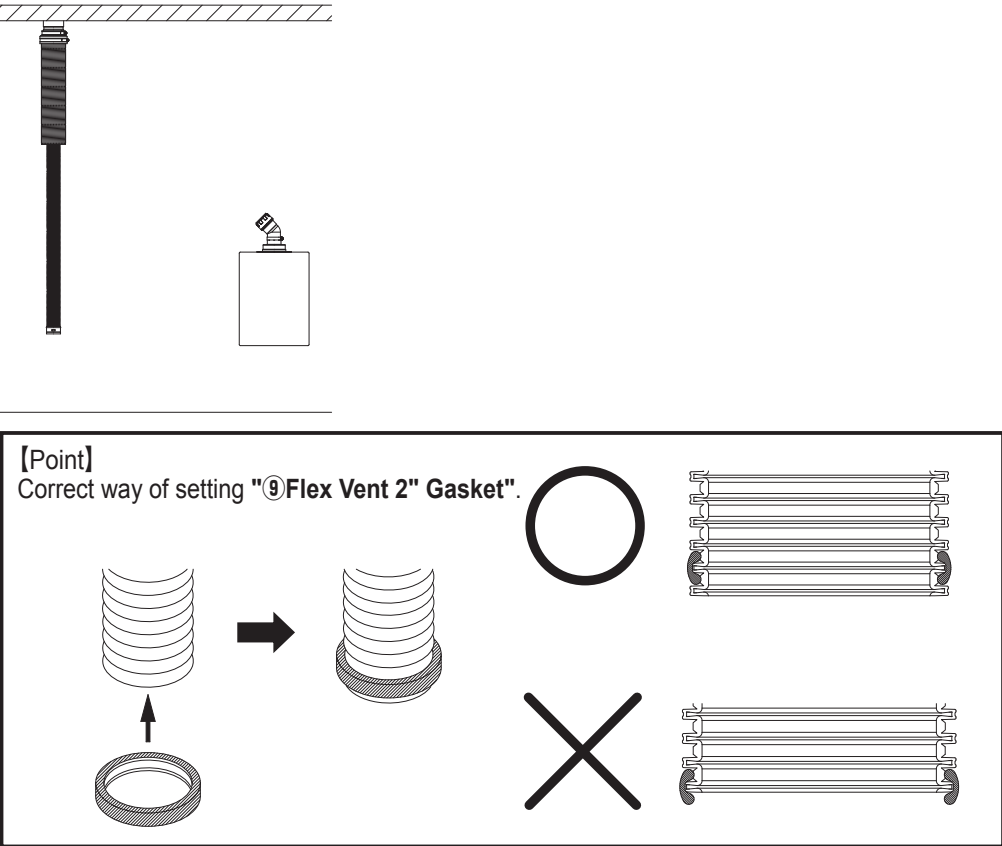

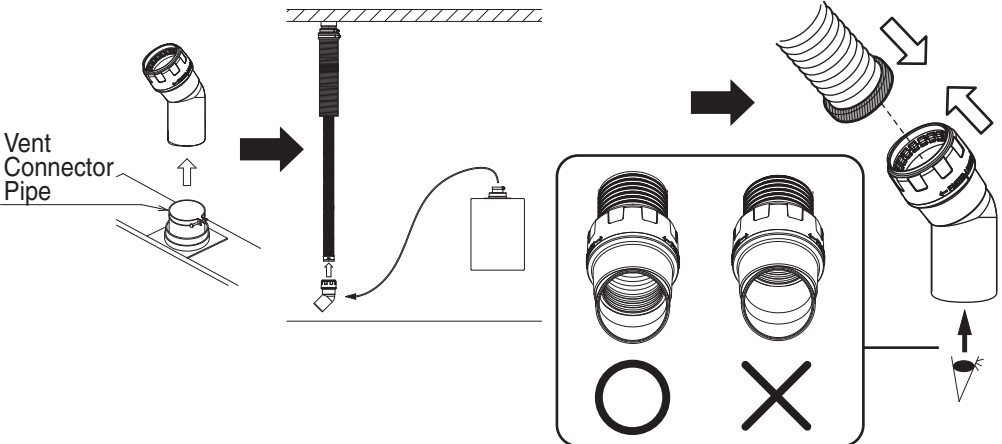

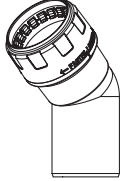
[Correct installation]

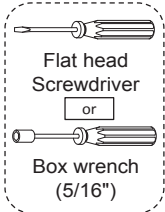
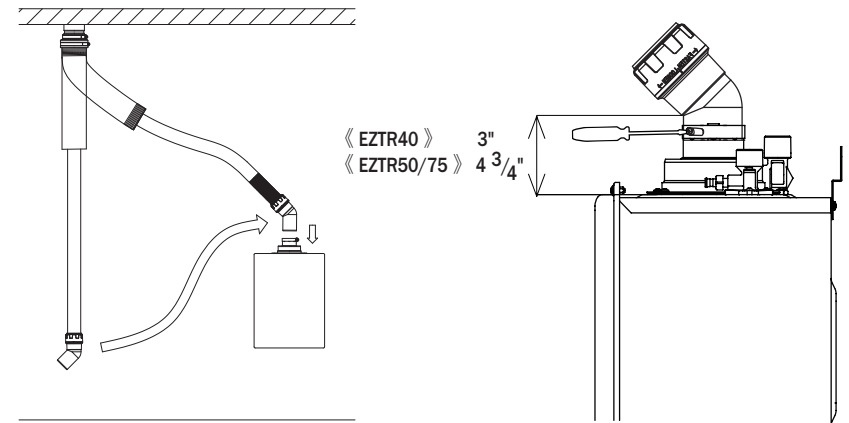
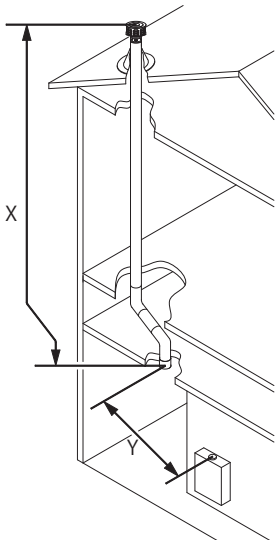
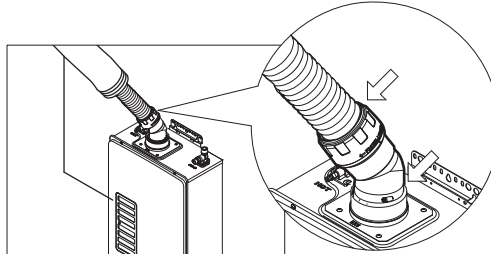
[Incorrect installation]

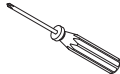

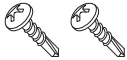
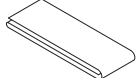


In trap installation, moisture is trapped inside the vent pipe and the exhaust can't be vented.

Step	Installation Procedure(ex. @Garage)	Necessary Tool
Step-3 (Work where equipment is installed)	<p>18 Pull "⑦Flex Sleeve" over "③Flex Pipe 2"" under the ceiling. Then, push into the bottom of "⑥Base Junction Support". And check that "③Flex Pipe 2"" is sticking out from "⑦Flex Sleeve". (If it is not sticking out, cut "⑦Flex Sleeve" until "③Flex Pipe 2"" sticks out.)</p>  <p>NG [Point] "③Flex Pipe 2"" not visible.</p> <p>OK [Point] "③Flex Pipe 2"" is visible.</p> <p>※ Do not extend the "⑦Flex Sleeve" if it needs to be cut, it should be cut while in its compressed state.</p> <p>⚠ WARNING</p> <p>Pay attention not to get injured from the sharp edge of "⑦Flex Sleeve".</p>	 <p>⑦Flex Sleeve</p>
	<p>19 Firmly tighten "⑥B. Flex Sleeve Clamp" of "⑥Base Junction Support", but be careful not to tighten too much as it may distort the "⑦Flex Sleeve" and rubber. Check to see if it is firmly fixed by pulling it by hand.</p> <p>※The tightening torque shall be between 7 and 10 in lb.</p> 	 <p>Flat head Screwdriver or Box wrench (5/16")</p>

Step	Installation Procedure(ex. @Garage)	Necessary Tool
Step-3 (Work where equipment is installed)	<p>20 See below chart and set "⑨Flex Vent 2" Gasket" onto the tip of "③Flex Pipe 2"".</p> 	 <p>⑨Flex Vent 2" Gasket</p>
	<p>21 Pull out "⑧Rigid 45 Elbow Set", which are tentatively locked to the equipment's vent connector pipe. Insert the "③Flex Pipe 2"" from the previous procedure into the "⑧Rigid 45 Elbow Set".</p>  <div data-bbox="256 1696 1252 1780" style="background-color: black; color: white; padding: 5px;"> <p> Be sure to do Make sure the "③Flex Pipe 2"" is fully secure by checking the bottom(reverse side) of the "⑧Rigid 45 Elbow Set" when you are finished.</p> </div>	 <p>⑧Rigid 45 Elbow Set</p>

Step	Installation Procedure(ex. @Garage)	Necessary Tool
Step-3 (Work where equipment is installed)	<p>22 Attach "⑧Rigid 45 Elbow Set" assembly back onto the unit and secure. When inserting "⑧Rigid 45 Elbow Set", there is tension when it passes through the o-ring within the equipment's vent connector pipe. Continue to insert "⑧Rigid 45 Elbow Set" until it reaches the all the way to the base of the equipment vent connector pipe. Check to see if it is firmly fixed by pulling it by hand. ※ The tightening torque shall be between 7 and 10 in lb.</p>	
		
	<p>23 Refer to the calculated total vent length, using the measured length in step-1, procedure No.3 in addition to the distance from the water heater. ※ Calculate the total vent length to determine the dip switch setting.</p>	
	<p><u>Vent length = X "total length of B-Vent (measured in procedure No.3)" + Y "the distance from the water heater"</u></p> 	
	<p>24 Depending on the vent length, set the equipment (Dip switch setting). ※ Follow the equipment's installation manual on how to set the equipment's vent length.</p>	
	<p>25 Test run the water heater and check for any kind exhaust gas leaks in below areas. If there are no leaks of any kind, continue to the next step.</p>  <div data-bbox="787 1690 1250 1911" style="border: 1px solid black; padding: 5px;"> <p>⚠ WARNING</p> <p>CARBON MONOXIDE POISONING Failure to properly seal the vent system could cause flue products to enter the living space</p> </div>	

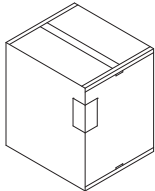
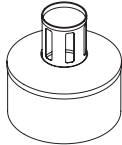
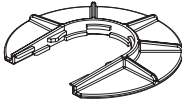
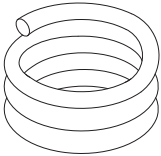
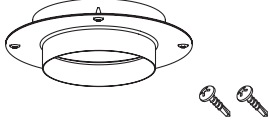

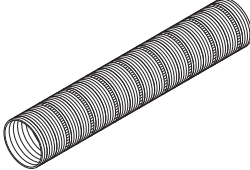
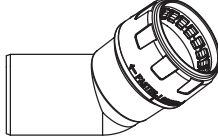
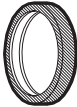
Step	Installation Procedure(ex. @Garage)	Necessary Tool
Step-3 (Work where equipment is installed)	26 Extend the lower end of " ⑦Flex Sleeve " to the sleeve clamp connector of the upper portion of equipment. Then secure with " 2×⑩Fastening Screws ", and apply " ⑪Aluminum tape " covering the connecting part. Make sure that it is firmly fixed by pulling by hand. ※Do not stretch the " ⑦Flex Sleeve " where the screws are secured, it will weaken the point where the screws are attached to the " ⑦Flex Sleeve ".	 Phillips head Screwdriver
	<div style="display: flex; justify-content: space-around; align-items: center;"> </div> <div style="border: 1px solid black; padding: 5px; margin-top: 10px; text-align: center;">  WARNING </div> <div style="border: 1px solid black; padding: 5px; margin-top: 5px;"> Pay attention not to get injured from the sharp edge of "⑦Flex Sleeve" </div> <div style="border: 1px solid black; padding: 5px; margin-top: 5px;"> [Point] Check and see if "⑦Flex Sleeve" is firmly fixed. </div>	 ⑩Fastening Screws  ⑪Aluminum tape

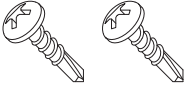
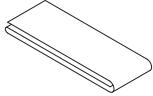
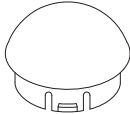
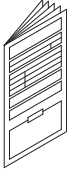

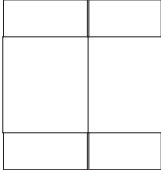
7.Maintenance

Periodically check the following to ensure proper operation of the water heater.

- The venting system must be examined periodically by a qualified service technician to check for any leaks or corrosion.
- Check and confirm that there is no tension to the flexible vent by hanging or suspending of anything.
- When changing the water heater, change whole venting components to new ones.

8.Parts Lists

No.	Parts name	Shape	Part#
	Flex Vent 2" Kit 25 Feet		EZ2FVK-1
①	Universal Rain Cap - LE		EZ2FVK-URC-1
②	Top Flex Support for EZ2FVK		EZ2FVK-TFS
③	25 Feet - Flex Pipe 2" - LE		EZ2FVP25-1
⑤	Base Junction Adapter Set		EZ2FVBJADS-1
⑥	Base Junction Support (w/o hole)		EZ2FVBJS-1
⑦	Flex Vent 2" Sleeve		EZ2FVS
⑧	Flex Vent 2" Rigid 45 Elbow Set - LE		EZ2FVR45ELB-1
⑨	Flex Vent 2" Gasket for EZ2FVK-1		EZ2FVK-1-G

No.	Parts name	Shape	Part#
⑩	Flex Vent 2" Fastening Screws		N/A
⑪	Aluminum tape		N/A
⑫	Flex Feeder - LE		EZ2FVF-1
	Flex Vent 2" Kit 25 Feet Installation Manual (This document)		EZ2FVK-1-LT
	EZTR 25 Feet Start Up Guide		EZ2FVK-1-SUG
	Packing Box for Flex Vent 2" Kit 25 Feet		EZ2FVK-1-BOX

* "No." indicated on this page corresponds to the number on the applicable component on page 8.