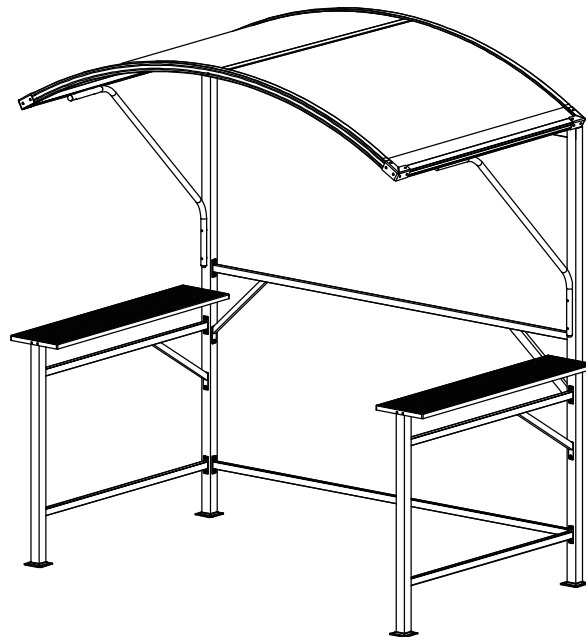




Model # 5RGZ1390

USE AND CARE GUIDE

HARD TOP GRILL GAZEBO



Questions, problems, missing parts? Before returning to the store,
call Hampton Bay Customer Service
8.00 a.m. - 7.00 p.m. EST, Monday - Friday,
9.00 a.m. - 6.00 p.m. EST, Saturday

1-855-HD-HAMPTON

HAMPTONBAY.COM


THANK YOU


We appreciate the trust and confidence you have placed in Hampton Bay through the purchase of this grill gazebo. We strive to continually create quality products designed to enhance your home. Visit us online to see our full line of products available for your home improvement needs. Thank you for choosing Hampton Bay!


Table of Contents


Table of Contents	2	Pre-Assembly	2
Safety Information	2	Hardware Included.....	2
Care Instructions	2	Package Contents	3
		Assembly	4


Safety Information


 **WARNING:** Keep all flames and heat sources away from the roof boards.
These parts are not fire proof and will burn or melt if left in continuous contact with any extreme heat source.

 **WARNING:** When assembling and using this product, basic safety precautions must always be followed to reduce the risk of personal injury and damage to product or surroundings.
Do not cook or barbeque under the roof.

 **WARNING:** This grill gazebo is NOT a permanent structure and is designed for sunshade and privacy only. The garden house should only be used in ideal weather conditions. You MUST completely disassemble the garden house prior to any extreme weather such as heavy thunder storms, hurricanes and/or ice/hail storms. Failure to do so may result in structural or property damage.

 **CAUTION:** Always install the grill gazebo on level ground utilizing the ground stakes provided for stability. It is not recommended to permanently anchor this garden house to a hard surface such as a wood deck or concrete floor.

 **CAUTION:** Grill gazebo roof is weather resistant but may leak during precipitation. It is recommended to remove the roof boards if expecting ice or hail storms.

 **CAUTION:** Keep all children and pets away from assembly area. Begin assembly not less than 6 feet from any obstruction such as fence, garage, house, overhanging branches, clothes line or electrical wires. Some parts may contain sharp edges, wear protective gloves if necessary.


Care Instructions

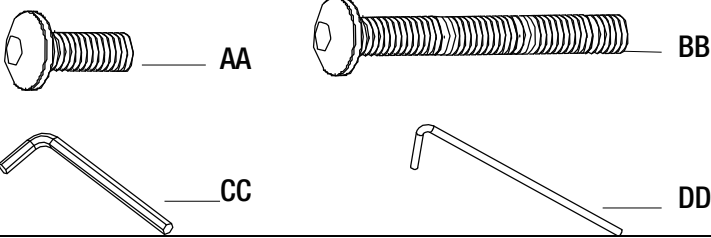
Before using, wipe with a clean, dry cloth. Do not use bleach or solvents. Treat the frame with liquid wax for maximum protection against UV light and salty, damp air. Clean the roof panels periodically with a mild soap and water. Do not use harsh chemical cleaners as this will damage the panel finish. Please properly tighten all hardware and perform periodic inspections during usage for cracked welds or loose nuts or bolts.

You may contact our customer service department with any questions by phone at 1-855-HD-HAMPTON or visit www.hamptonbay.com.

Pre-Assembly

Hardware Included

 **NOTE:** Hardware not shown to actual size.



Part	Description	Quantity
AA	Bolt (M6x15)	72
BB	Bolt (M6x40)	10
CC	Hex wrench	1
DD	Ground stake	8

Pre-Assembly

PLANNING ASSEMBLY

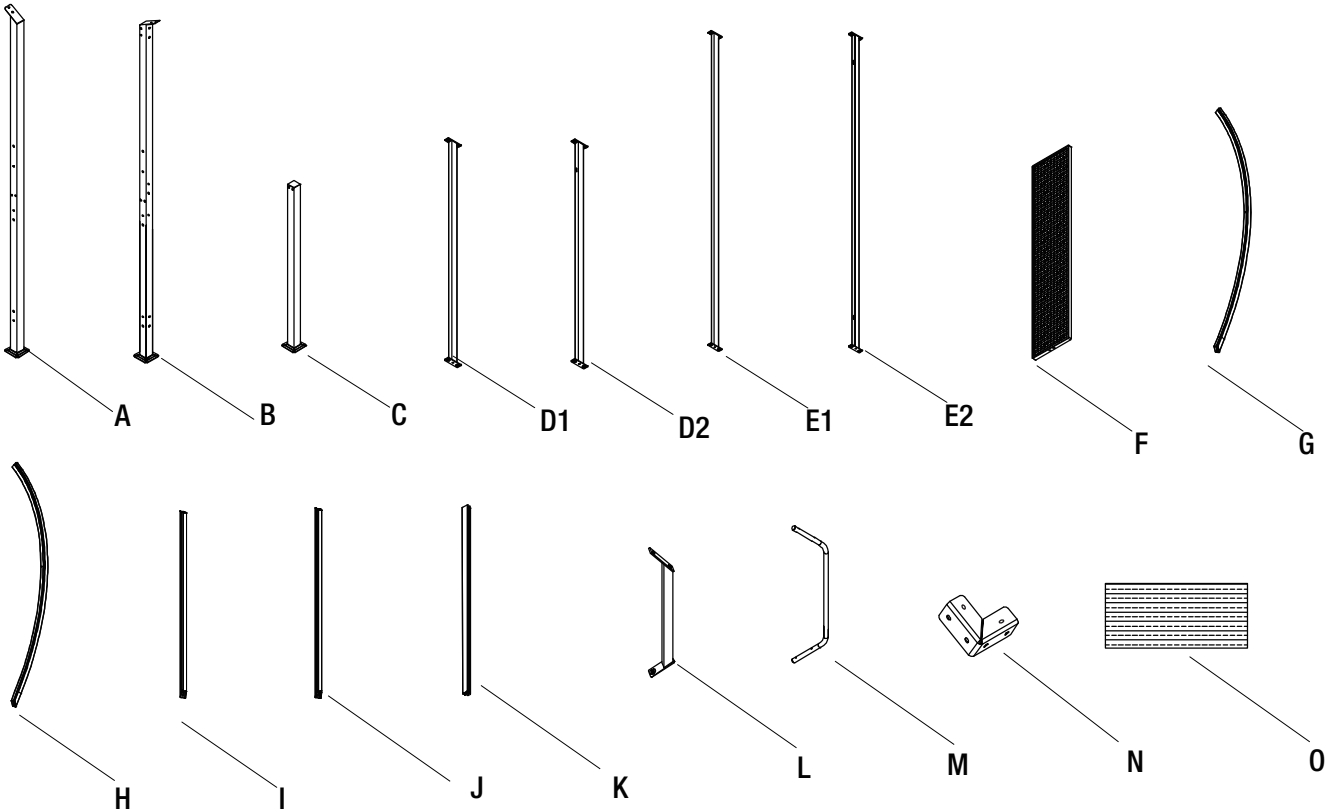
It will take at least two people about 30 minutes to complete the assembly process.

A rubber mallet and a free standing ladder are needed during the process.

PACKAGE CONTENTS



NOTE: Parts not shown to actual size.



Part	Description	Quantity
A	Corner post	1
B	Corner post	1
C	Corner post	2
D1	Cross bar	2
D2	Cross bar	2
E1	Cross bar	2
E2	Cross bar	1
F	Mesh top	2
G	Roof rim	1

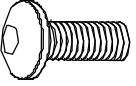
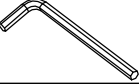
Part	Description	Quantity
H	Roof rim	1
I	Roof rim	1
J	Roof tube	1
K	Roof tube	1
L	Support arm	4
M	Support arm	2
N	Corner cover	4
O	Roof sheet	2

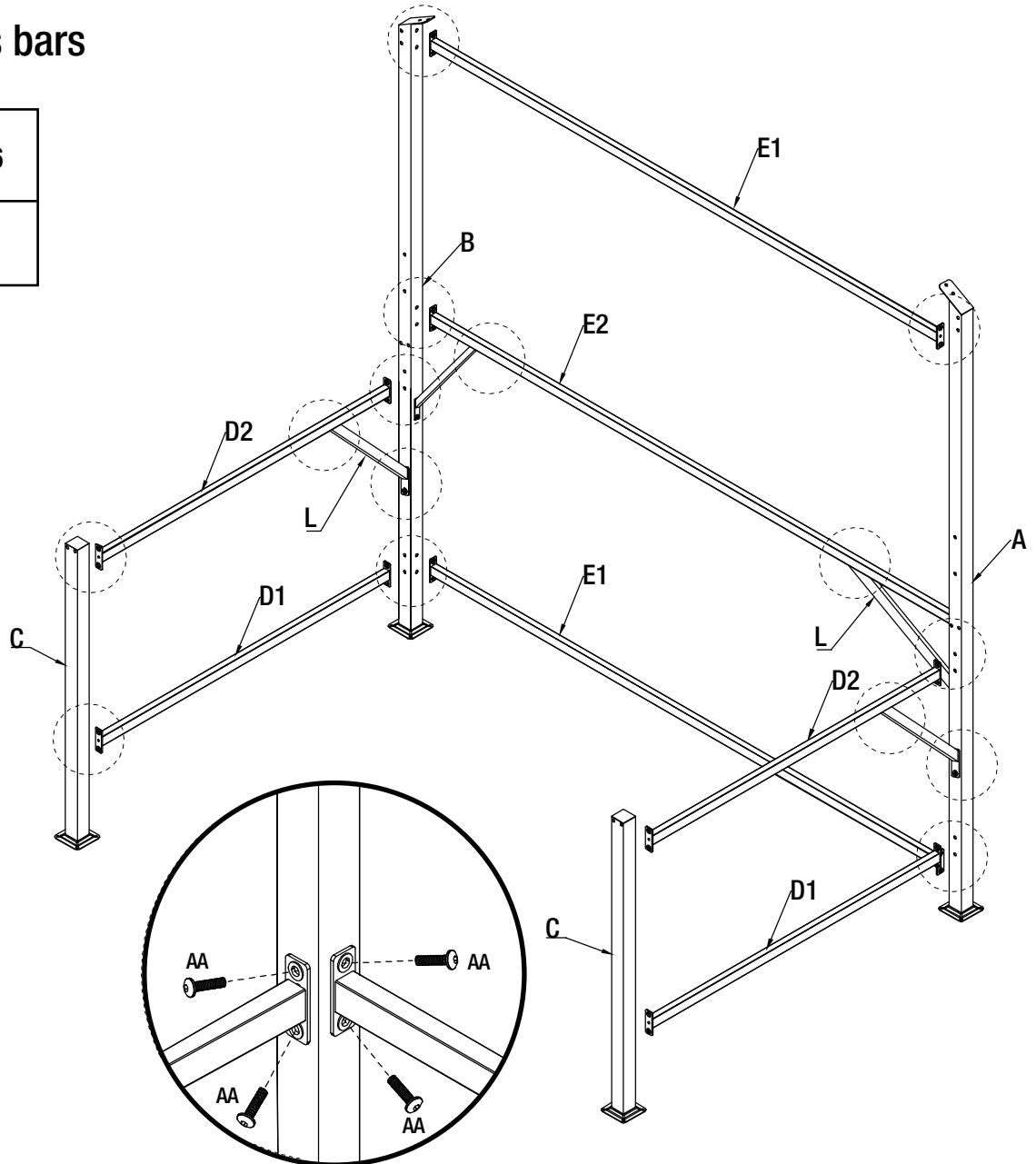
Important:

Do not remove the protective film from the roof sheet until you are ready to install it onto the roof frame in Step 3.

Assembly

1 Attaching cross bars

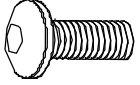
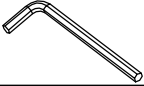
AA		36
CC		



- Place corner posts (A), (B) and (C) upright.
- Use cross bars (E1) & (E2) to connect corner post (A) and (B) at the top and at the bottom with bolts (AA) using hex wrench (CC).
- Use cross bars (D1) & (D2) to connect corner post (C) and (B) with bolts (AA) using hex wrench (CC).
- Use cross bars (D1) & (D2) to connect corner post (C) and (A) with bolts (AA) using hex wrench (CC).
- Attach support arms (L) to cross bars (D2) & (B), (B) & (E2), (E2) & (A) and (A) & (D2) respectively with bolts (AA) using hex wrench (CC).

Assembly

2. Attaching mesh tops

AA		8
CC		

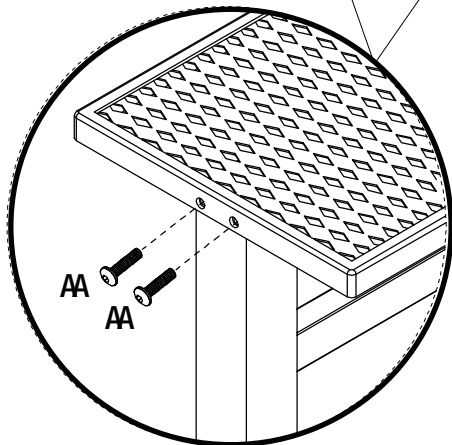
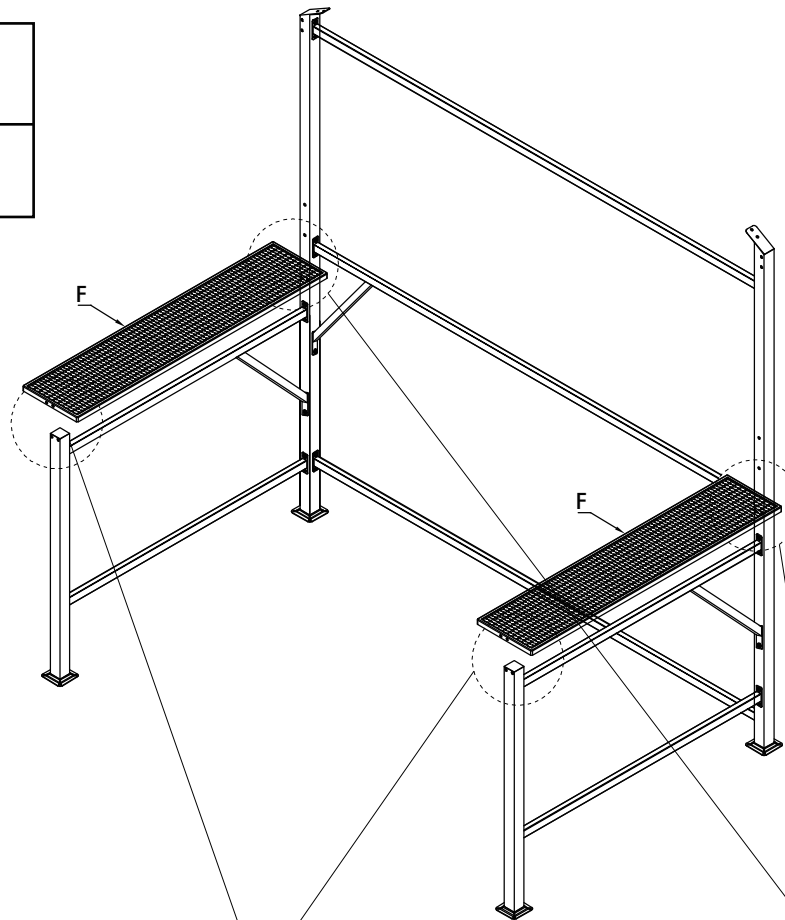


Fig. 2.2

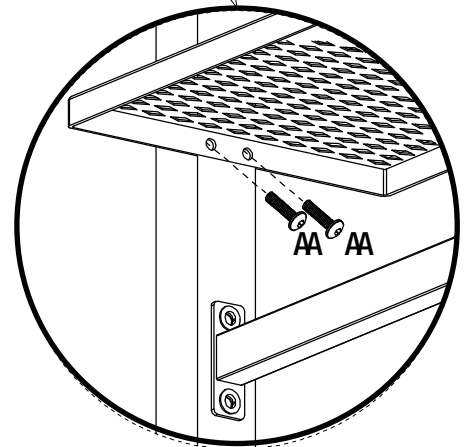
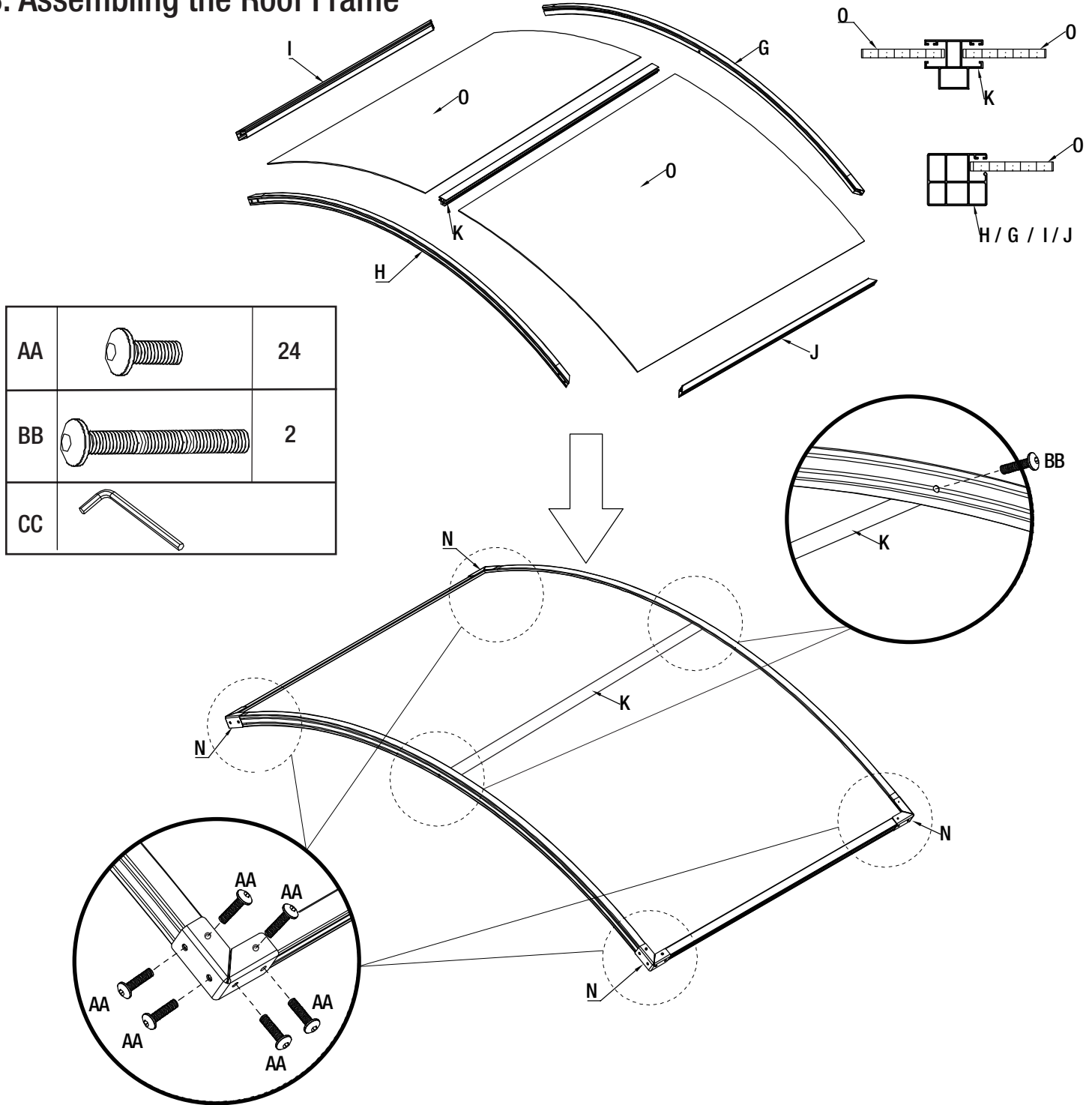


Fig. 2.1

- Align mesh tops to corner posts (A) and (C), (B) and (C).
- Secure mesh tops (F) to the middle of corner posts (A) and (B) with bolts (AA) using hex wrench (CC). (Fig 2.1)
- Secure mesh tops (F) onto the top of corner posts (C) with bolts (AA) using hex wrench (CC). (Fig. 2.2)

Assembly

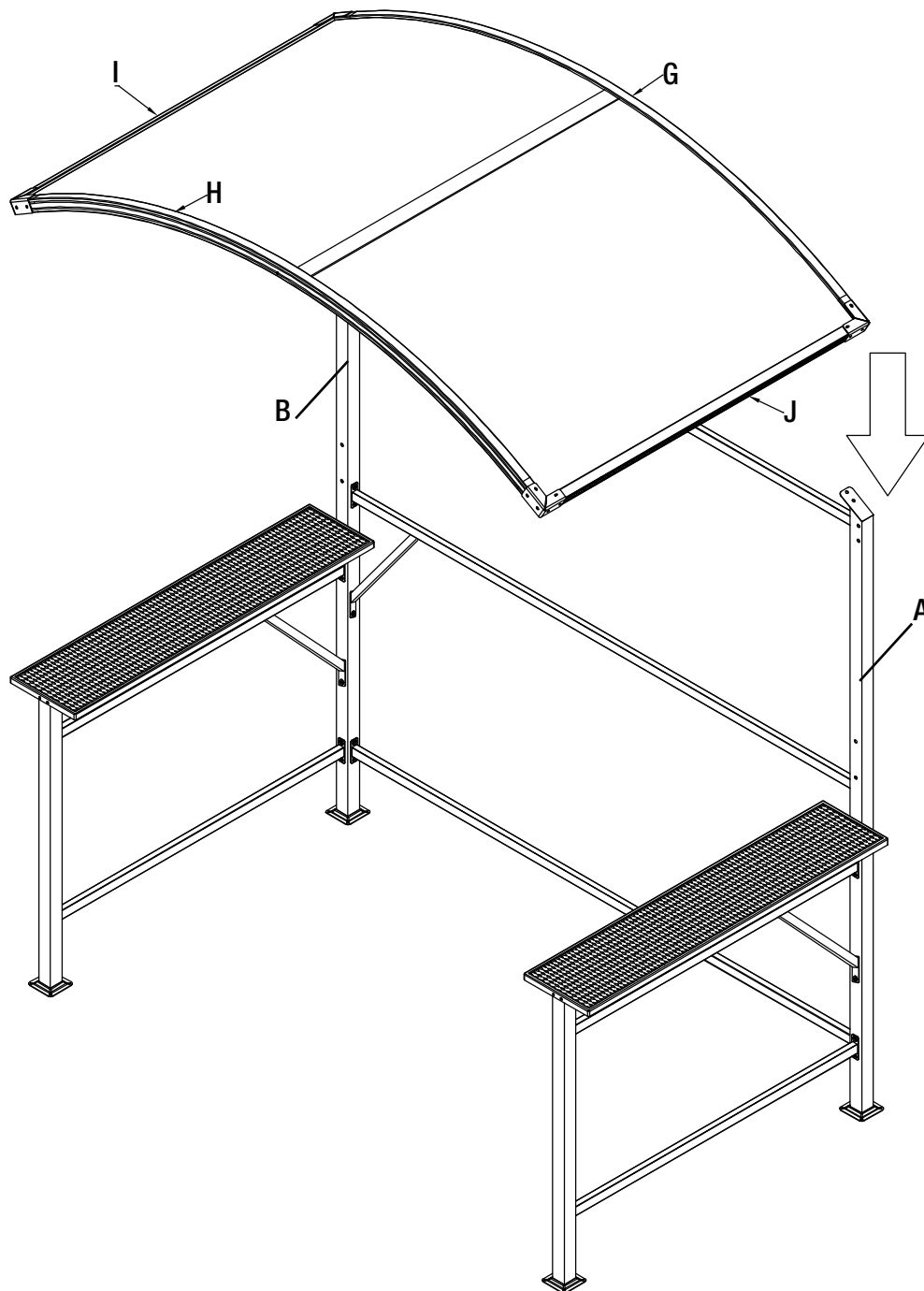
3. Assembling the Roof Frame



- Attach roof tube (K) to roof rim (H) with bolt (BB) using hex wrench (CC).
- Attach roof rims (I) and (J) to roof rim (H) with brackets (N) and bolts (AA) using hex wrench (CC).
- Remove the film from roof sheets (O) and slide them into the gaps between roof tube (K) and roof rim (J) / (I).
- When roof sheets (O) reaches firmly into roof rim (H), cover the exposed edge of roof sheets (O) with roof rim (G).
- Secure the roof tube (K) to the roof rim (G) with bolt (BB) using hex wrench (CC).
- Secure roof rims (I) and (J) to the roof rim (G) at the corners with brackets (N) and bolts (AA) using hex wrench (CC).

Assembly

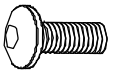

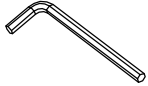
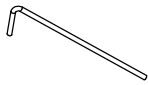
4 Placing the roof frame on top of corner posts (A) and (B)

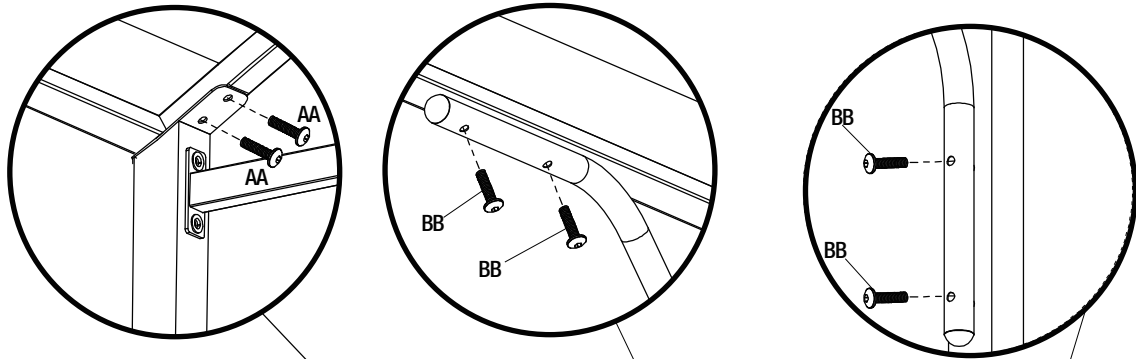


Proceed this step with another person's assistance.

Assembly

5 Attaching support arms and staking the grill gazebo

AA		4
BB		8
CC		
DD		8

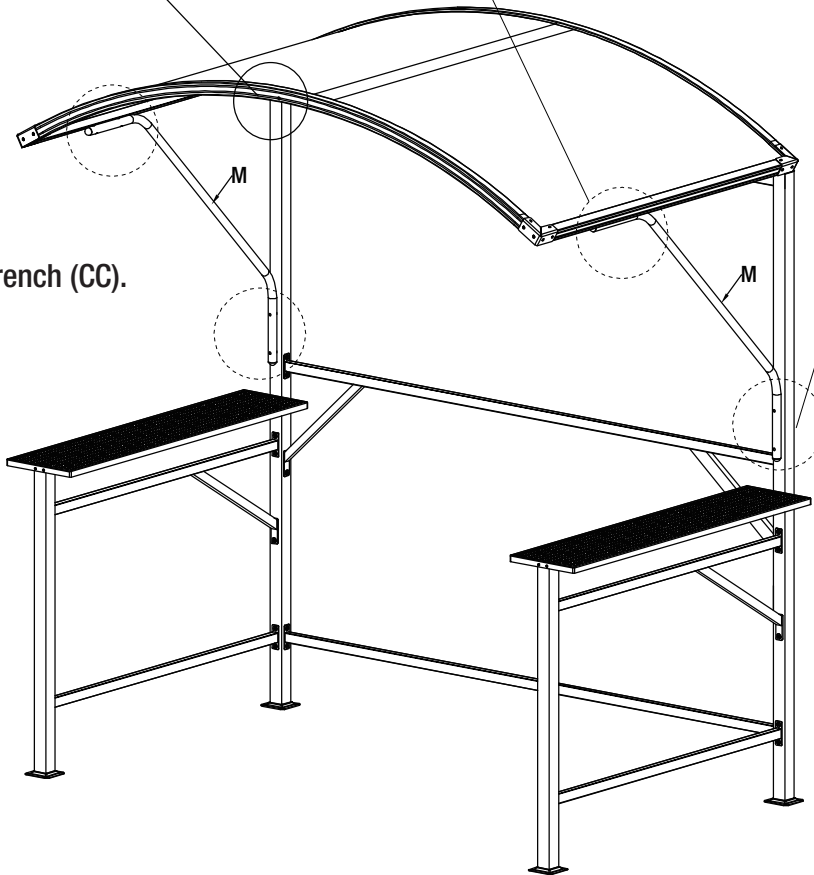


With another person's support at this step, secure the roof frame on the top of corner posts (A) and (B) with bolts (AA) using hex wrench (CC).

Attach one end of the support arms (M) onto the bottom of roof rails (I) and (J) with bolts (BB) using hex wrench (CC).

Attach the other end of the support arms (M) to the middle of corner posts (A) and (B) with bolts (BB) using hex wrench (CC).

Adjust each corner post (A), (B) and (C) to upright. Hammer two ground stakes (DD) through the holes of each post base into soft ground.



Questions, problems, missing parts? Before returning to the store, call Hampton Bay Customer Service
8.00 a.m. - 7.00 p.m. EST, Monday - Friday,
9.00 a.m. - 6.00 p.m. EST, Saturday

1-855-HD-HAMPTON

HAMPTONBAY.COM

Retain this manual for future use.