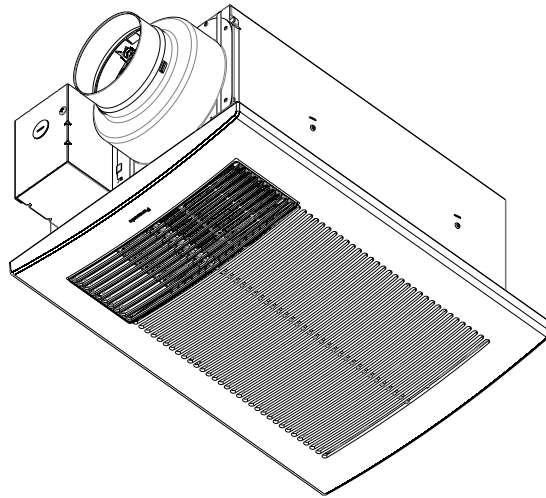


# Service Manual

Fan Heater

(North America Market)



FV-0511VH1

## ⚠ WARNING

This service information is designed for experienced repair technicians only and is not designed for use by the general public. It does not contain warnings or cautions to advise non-technical individuals of potential dangers in attempting to service a product. Products powered by electricity should be serviced or repaired only by experienced professional technicians. Any attempt to service or repair the product or products dealt with in this service information by anyone else could result in serious injury or death.

## IMPORTANT SAFETY NOTICE

There are special components used in this equipment which are important for safety. These parts are marked by ⚠ in the Schematic Diagrams, Exploded Views and Replacement Parts List. It is essential that these critical parts should be replaced with manufacturer's specified parts to prevent shock, fire or other hazards. Do not modify the original design without the manufacturer's approval. Please have a static electricity depletion process in place before handling these components.. Please use gloves when handling PCB parts during the repair process..

CONTENTS	PAGE
1.Specification.....	1
2.Parts Identification.....	2 ~ 7
3.Wiring Diagram.....	8
4.Parts List.....	9 ~ 11

# 1. Specification

---

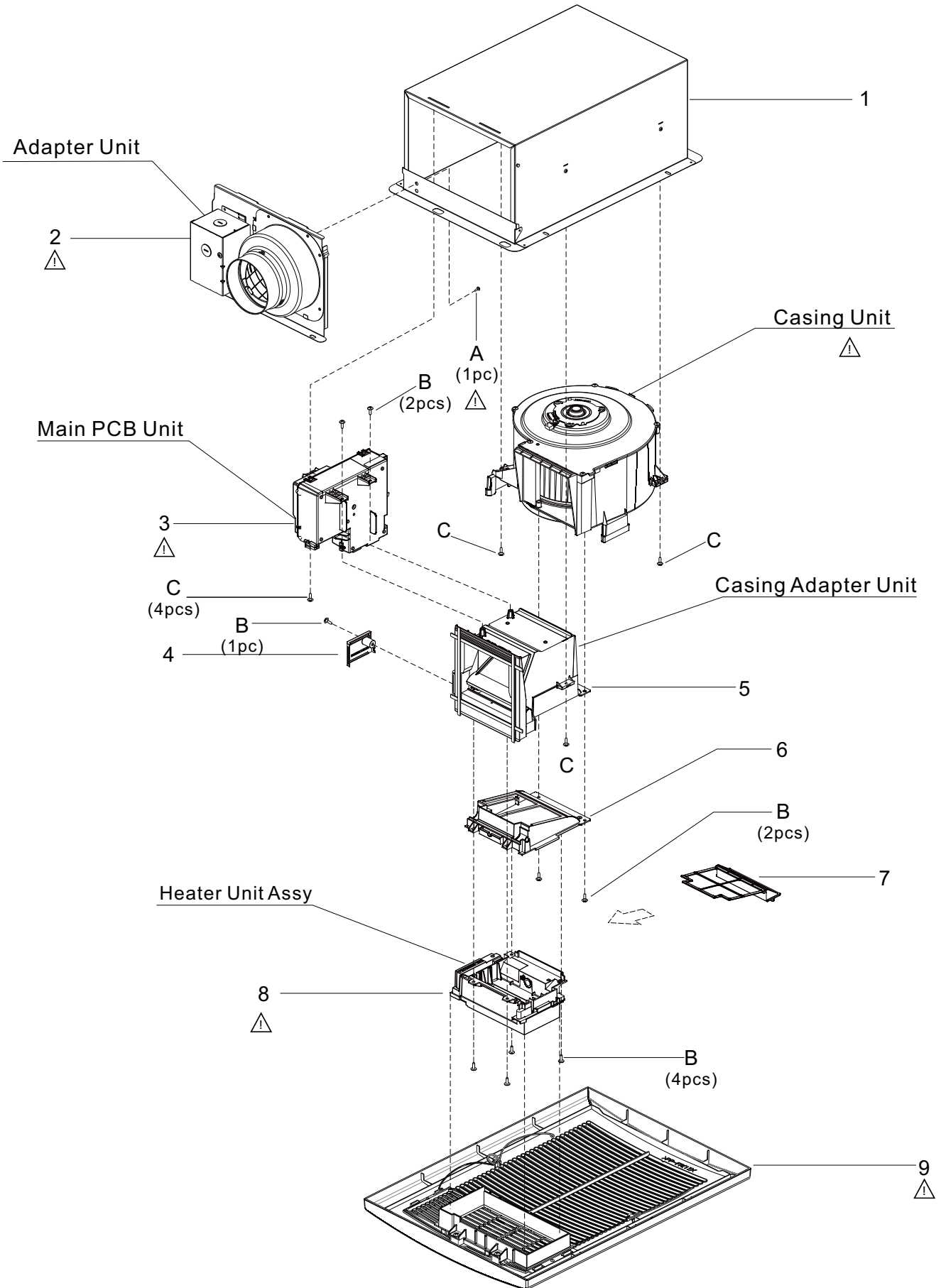
Model No.	Air direction	Voltage [V]	Frequency [Hz]	at 0.1"WG [CFM]	Noise [sone]	Power [W]			Weight [lb. (kg)]
				Vent	Vent	Heat	Vent	Light	
FV-0511VH1	Exhaust & Circulation	120	60	50	<0.3	1480 (25 °C) 1680 (0 °C)	4.7	—	14.3 (6.5)
				80	<0.3		7.7		
				110	0.7		12.0		

HVI Certified performance based on HVI Procedures 915, 916, and 920. (Ventilating mode only)

# 2. Parts Identification

FV-0511VH1

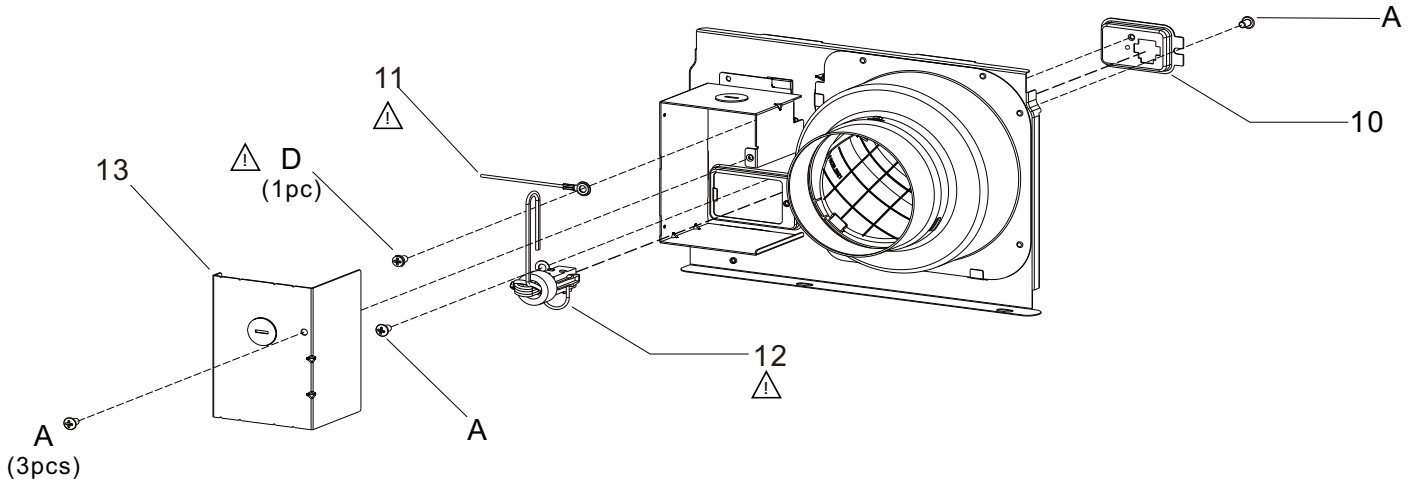
## Main Body Section



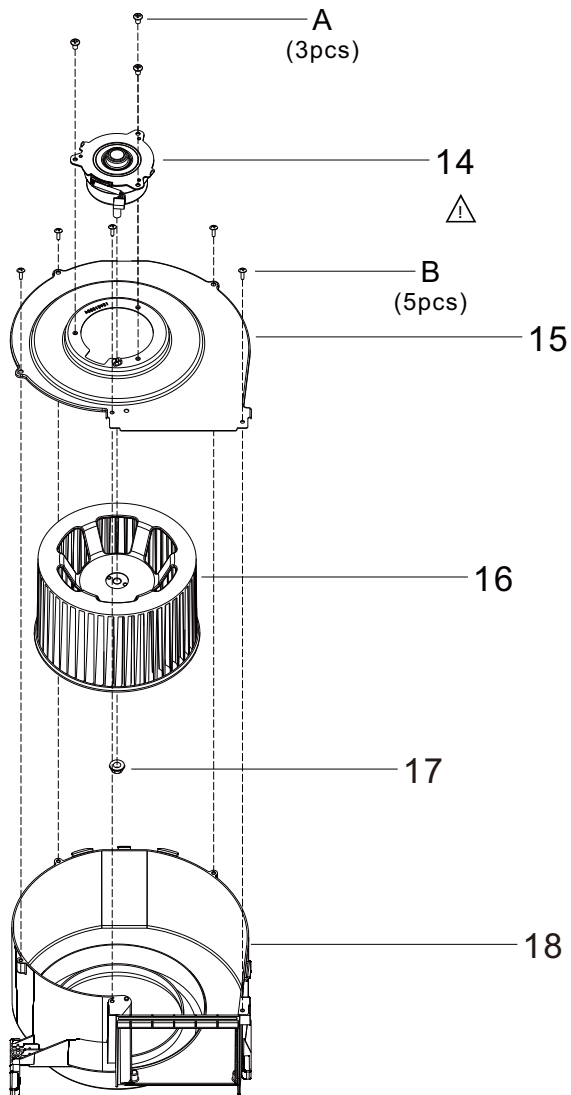
## 2. Parts Identification

FV-0511VH1

### Adapter Unit



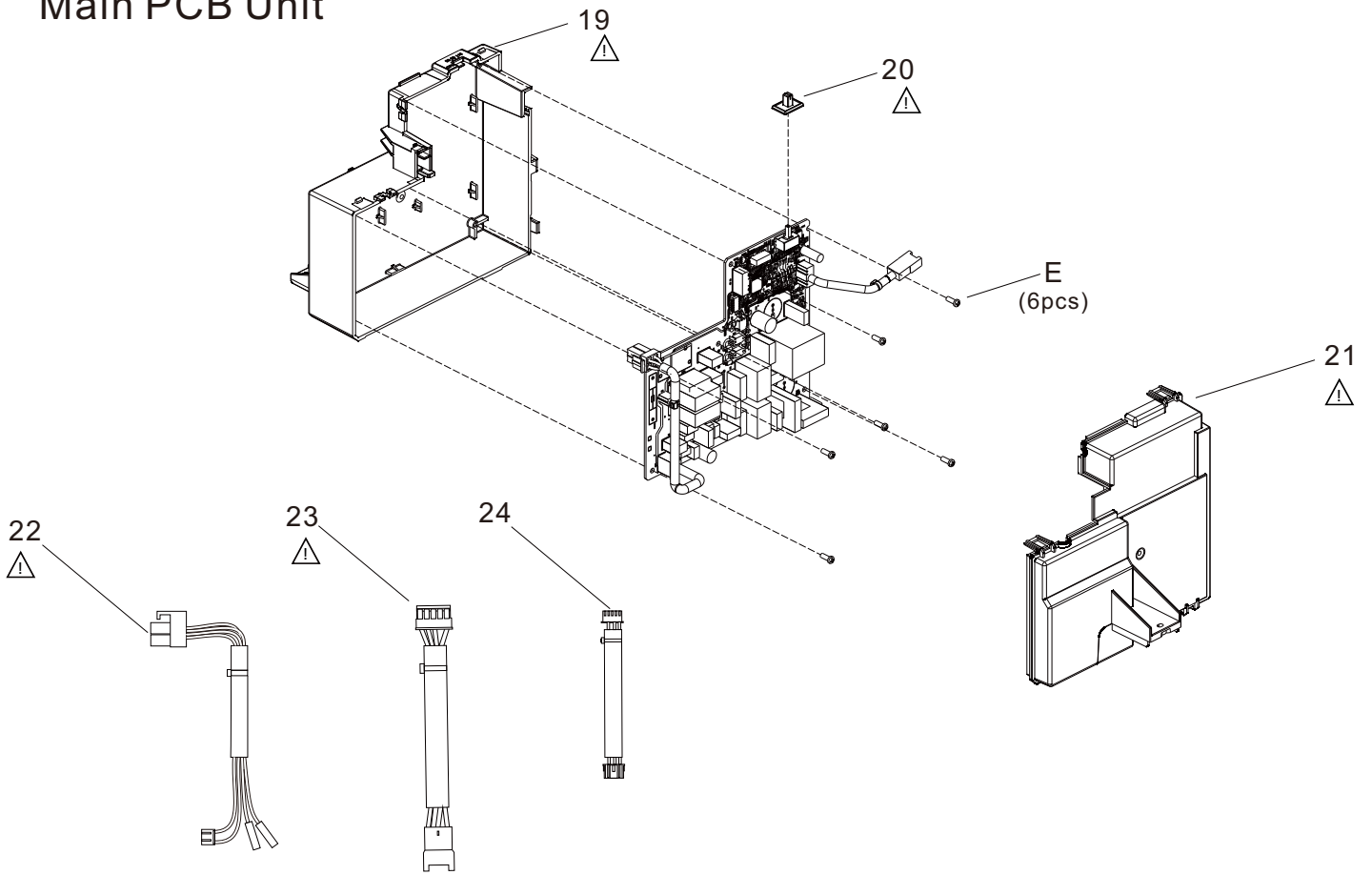
### Casing Unit



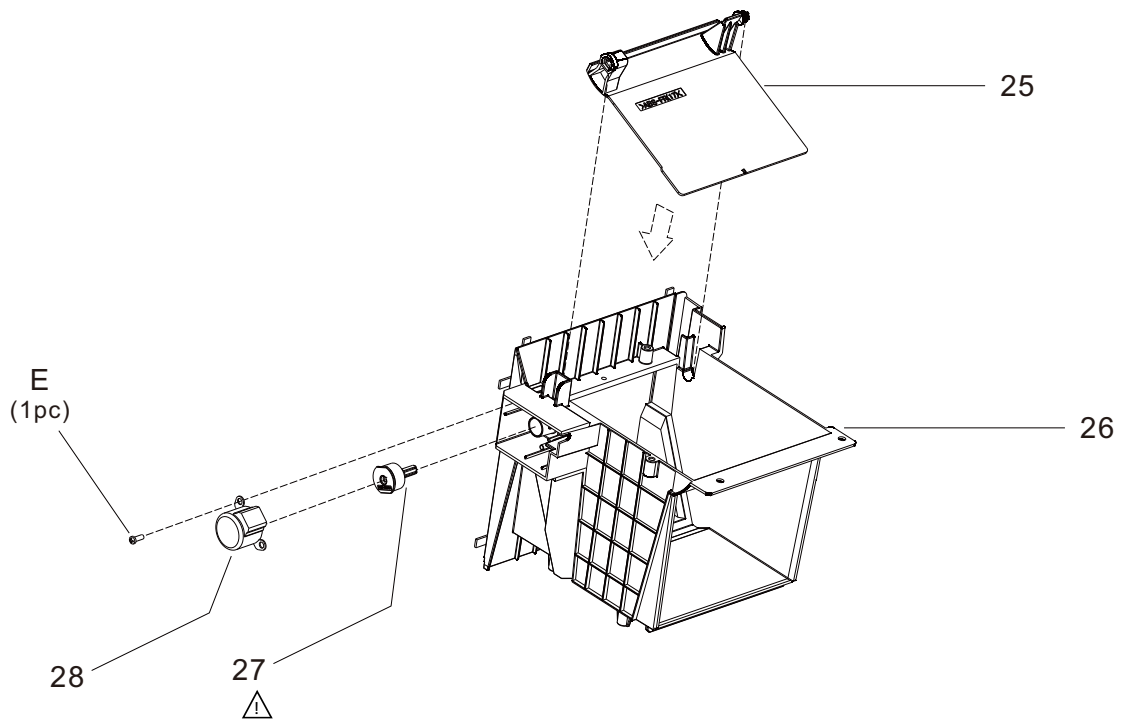
## 2. Parts Identification

FV-0511VH1

### Main PCB Unit



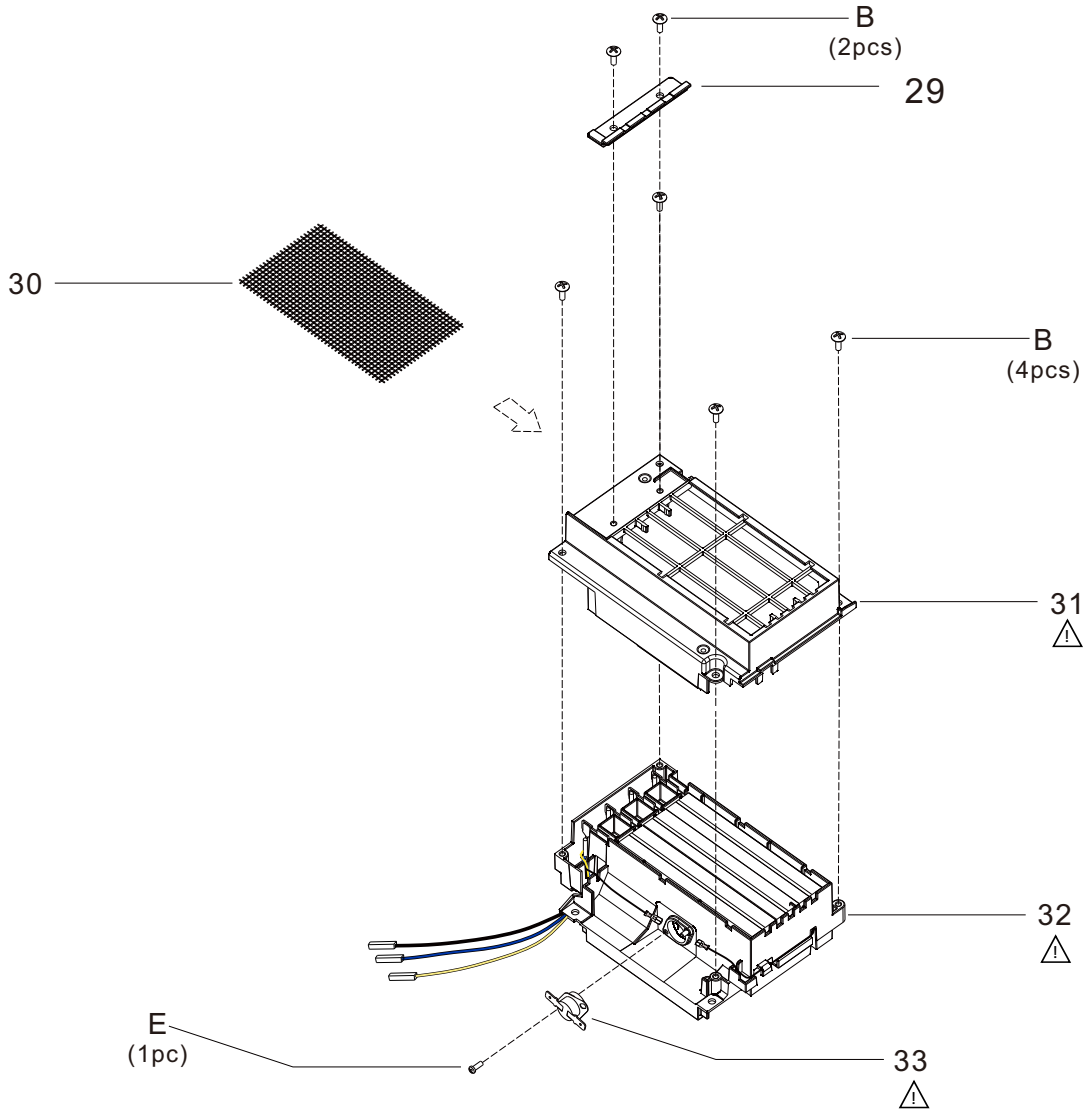
### Casing Adapter Unit



# 2. Parts Identification

FV-0511VH1

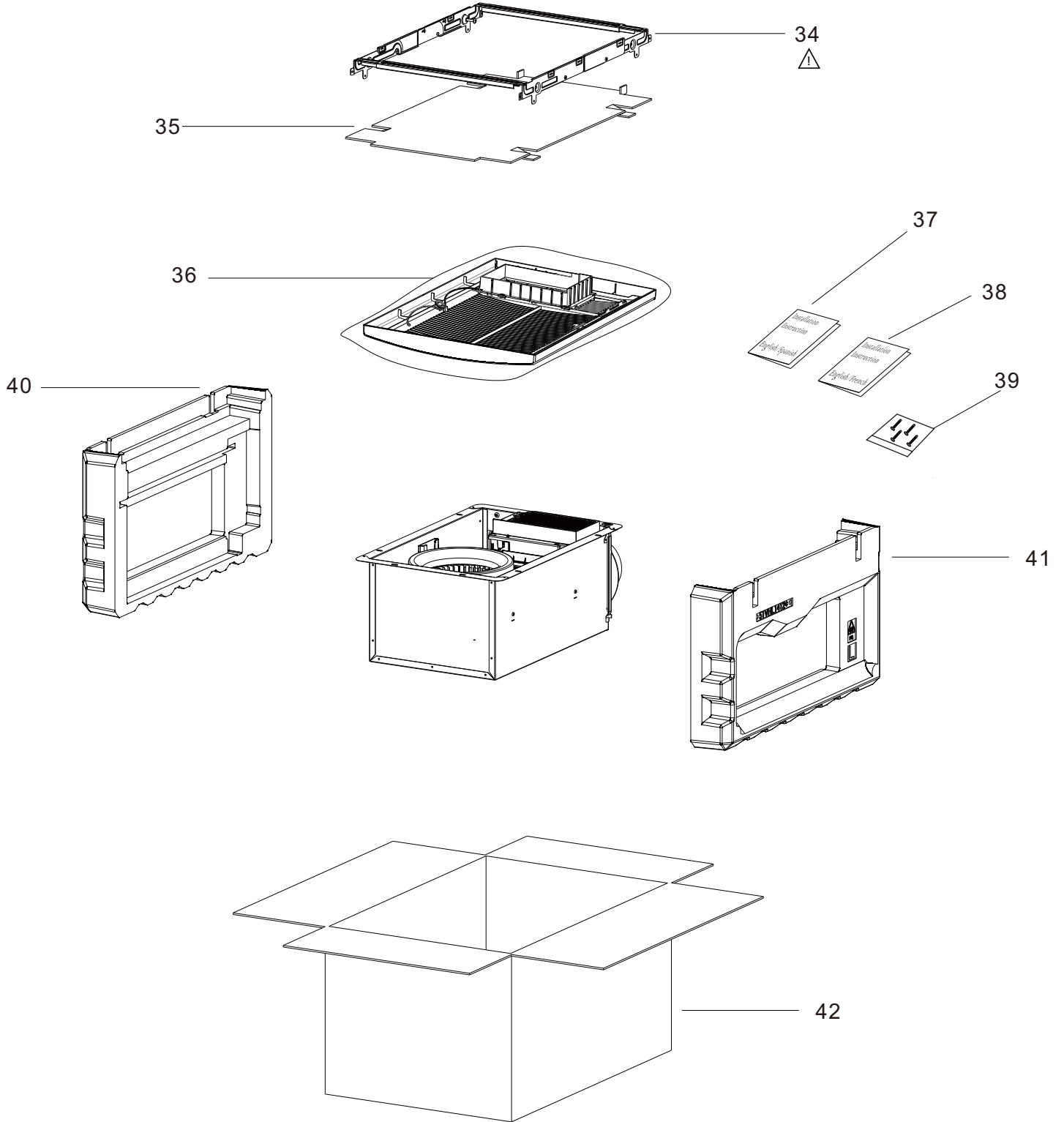
## Heater Unit Assy



# 2. Parts Identification

FV-0511VH1

## Packing Section



# 2. Parts Identification

FV-0511VH1

## Main Label

Secure screw tightly for ground continuity  
 Vissez fermement pour la continuité de la mise à la terre

43 

**WARNING:**  
 Before servicing or cleaning unit, switch power off at service panel and lock service panel to prevent power from being switched on accidentally.  
**CAUTION:**  
 1. Not for use in cooking area. See installation instructions.  
 2. Use only on 20 ampere branch circuit.  
**AVERTISSEMENT:**  
 Avant de nettoyer ou de faire l'entretien de l'appareil, couper l'alimentation sur le panneau de service et verrouiller le dispositif d'alimentation afin de prévenir tout rétablissement accidentel.  
**ATTENTION:**  
 1. Non destiné à la zone de cuisson. Voir instructions d'installation.  
 2. N'utiliser qu'un circuit terminal de 20 ampères.

44

**Panasonic**  
 Fan Heater  
 Ventilateur avec élément chauffant

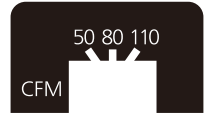
 **LISTED**  
 (FAN HEATER)  
 18RC

**Model No. FV-0511VH1**  
 AC120 V 60 Hz 12.4 A (25 °C) 14.1 A (0 °C) (Heat)  
 AC120 V 60 Hz 0.5 A (Vent)

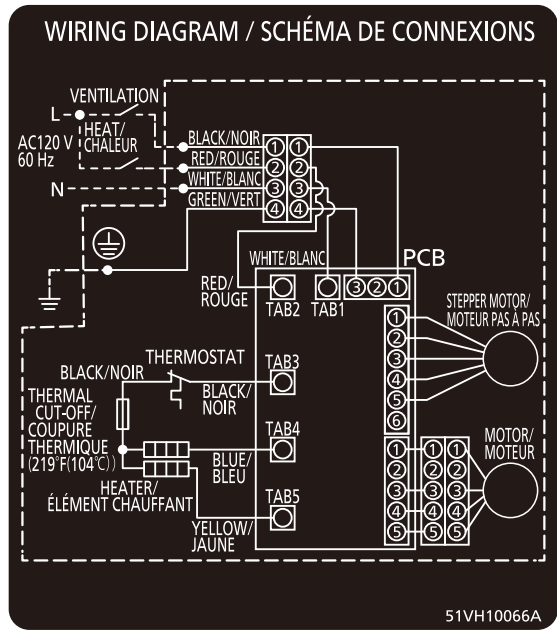
Ser.No. 

Panasonic Corporation of North America  
 Assembled in Mexico / Assemblé au Mexique

45



46



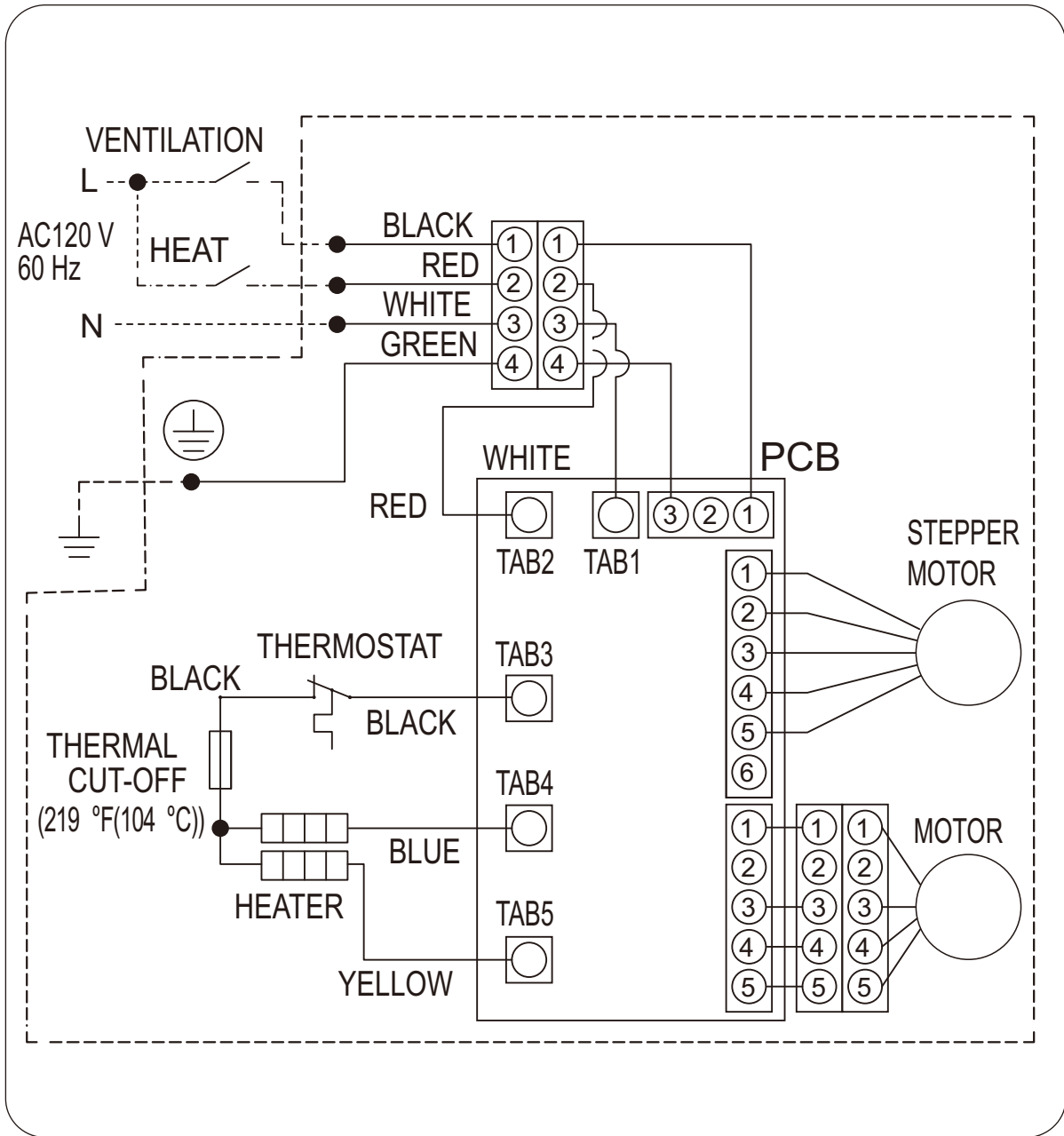
47



48



# 3. Wiring Diagram



## 4. Parts List

FV-0511VH1

### Main Body Section

No.	Part No.	Part Name	Q'ty	Remark
1	FFV51VHL190	Frame Unit	1	
2	FFV51VH1910	Adapter Unit	1	⚠
3	FFV0511VH1	Main PCB Unit	1	⚠
4	FFV51VHL193	SP Motor Cover	1	
5	FFV5VHL1902	Casing Adapter Unit	1	
6	FFV51VHL181	Filter Guide	1	
7	FFV5VHL1813	Filter	1	
8	FFV51VHL170	Heater Unit	1	⚠
9	FFV51VH1081	Grill Assembly	1	⚠
A	FFVXTT4-8FFJ	Screw (ST4-8)	1	⚠
B	FFV7000089S	Truss Tap Screw	9	
C	FFV7000065S	Bind Screw	4	

### Adapter Unit

No.	Part No.	Part Name	Q'ty	Remark
10	FFV51VH1091	Connector Plate	1	
11	FFV3450010S	Earth Lead Wire	1	⚠
12	FFV51VHL130	Connector Assy	1	⚠
13	FFV11QCL1912A	Junction Cover	1	
A	FFVXTT4-8FFJ	Screw (ST4-8)	3	
D	FFVXYM4DC8BN	Screw	1	⚠

### Casing Unit

No.	Part No.	Part Name	Q'ty	Remark
14	FFV11QCL1M21AX	Motor Assembly	1	⚠
15	FFV15VQ10904	Motor Support	1	
16	FFVM15VK10802B	Blade	1	
17	FFV7020021S	Nut	1	
18	FFV5VHL1906	Casing	1	
A	FFVXTT4-8FFJ	Screw (ST4-8)	3	
B	FFV7000089S	Truss Tap Screw	5	

## 4. Parts List

FV-0511VH1

### Main PCB Unit

No.	Part No.	Part Name	Q'ty	Remark
19	FFV51VHL1900	Main PCB Box	1	⚠
20	FFV510VS1M9	Speed Switch	1	⚠
21	FFV51VHL199	Main PCB Cover	1	⚠
22	FFV51VHL131	Power Lead Wire	1	⚠
23	FFV51VHL132	Motor Lead Wire	1	⚠
24	FFV51VHL135	SP Motor Lead Wire	1	
E	FFV7000145S	Pan Tap Screw	6	

### Casing Adapter Unit

No.	Part No.	Part Name	Q'ty	Remark
25	FFV51VHL1930	Damper	1	
26	FFV51VHL1908	Casing Adapter	1	
27	FFV30BU10908	Joint	1	⚠
28	FFVMSFJC20A	SP Motor	1	
E	FFV7000145S	Pan Tap Screw	1	


### Heater Unit Assy

No.	Part No.	Part Name	Q'ty	Remark
29	FFV51VHL1708	Mesh Holder	1	
30	FFV51VHL1707	Mesh	1	
31	FFV51VHL1702	Heater Cover	1	⚠
32	FFV51VHL1710	PTC Heater Assy	1	⚠
33	FFV51VHL1720	Thermostat	1	⚠
B	FFV7000089S	Truss Tap Screw	6	
E	FFV7000145S	Pan Tap Screw	1	

## 4. Parts List

FV-0511VH1

### Packing Section

No.	Part No.	Part Name	Q'ty	Remark
34	FFV51VHL1920	Hanger Assy	1	
35	FFV51VHL1137	Grill Pad Assy	1	
36	FFV51VHL1010	Poly Cover	1	
37	FFV51VHL1420	Install. Instr. (Eng/Esp)	1	
38	FFV51VHL1421	Install. Instr. (Eng/Fre)	1	
39	FFV01NES0045	Accessory A	1	
40	FFV51VHL1413	Rigth Pad	1	
41	FFV51VHL1412	Left Pad	1	
42	FFV51VH10400	Packing Case	1	

### Main Label

No.	Part No.	Part Name	Q'ty	Remark
43	FFV51VHL1051	Instruccion Label	1	
44	FFV51VHL1052	Caution Label	1	
45	FFV51VH1005	Name Plate	1	
46	FFV51VHL1012	Speed Switch Label	1	
47	FFV51VH10066	Wiring Label	1	
48	FFV51VHL1053	HVI Mark	1	