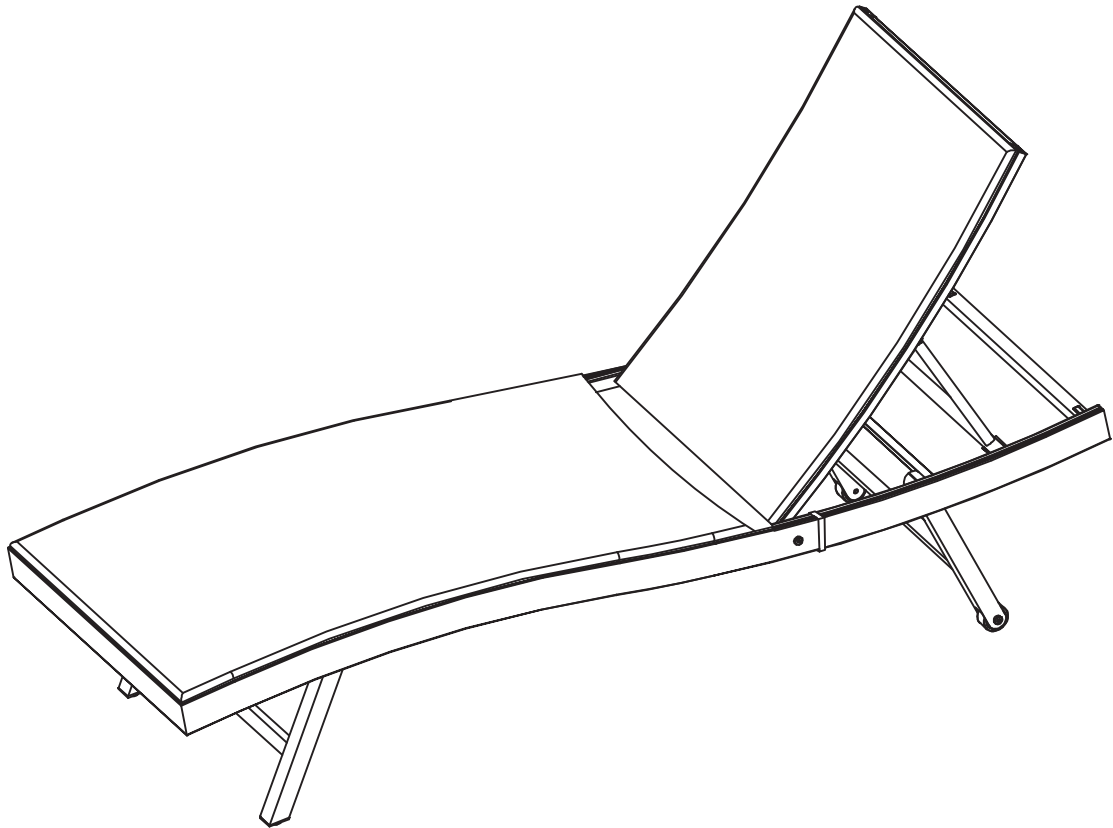




Enjoy Cozy Life!

# OUTDOOR RATTAN ALUMINUM LOUNGE CHAIR ASSEMBLY INSTRUCTIONS



**KOZYARD LLC PRODUCTS**

**[WWW.KOZYARD.COM](http://WWW.KOZYARD.COM)**

© Copyright 2016 - 2020 Kozyard LLC. | All Rights Reserved.

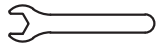
## ASSEMBLY INSTRUCTIONS

- Prior to assembly, make sure to lay out and identify all of the parts listed below in the parts list.
- Tighten all nuts and bolts securely. All bolts should be hand tightened before use. Never use power tools or excessive force during assembly and tightening of bolts.
- Should you experience any difficulty during assembly, or if any of the parts are missing or damaged, contact our customer service by email: [info@kozyard.com](mailto:info@kozyard.com) or call toll free: 866-355-0018.

### TOOLS REQUIRED:



ALLEN WRENCH

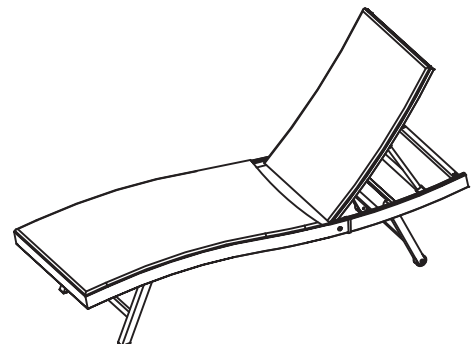


SCREWDRIVER

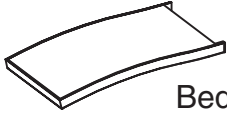
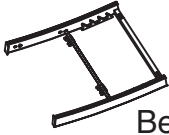



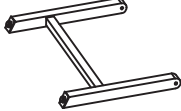
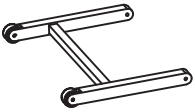
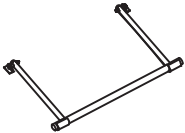



(PROVIDED)










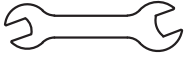
### Warning:

1. Do not exceed 360lbs weight limit.
2. Make sure the lounger is Placed on a solid level surface.



# Part list

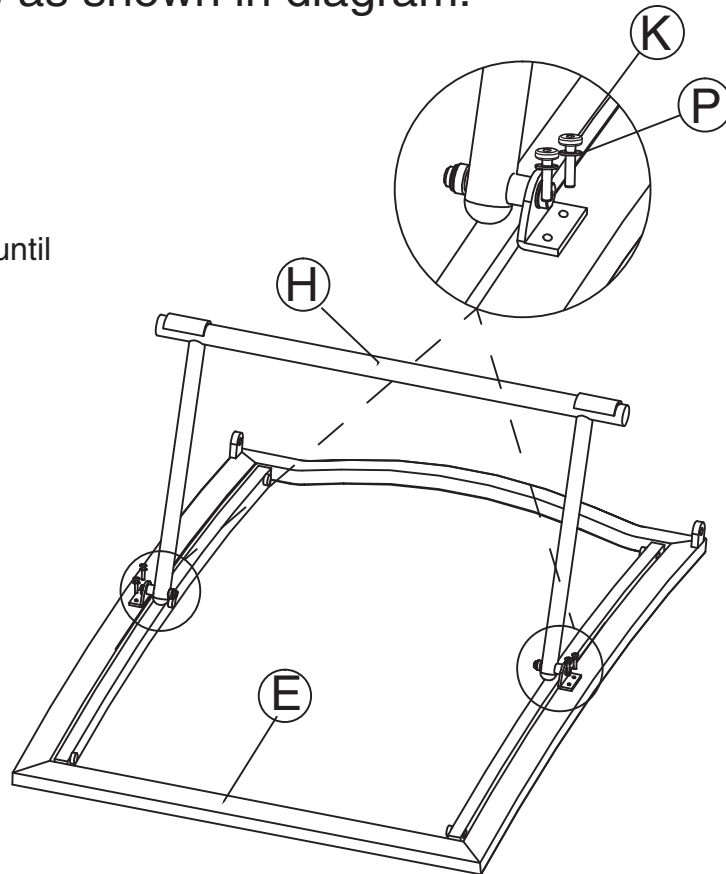
Part	Description	Qty
A	 Bed frame	1
B	 Bed frame	1
C	 Right Connector	1
D	 Left Connector	1
E	 Back	1
F	 Front Leg	1
G	 Rear Wheel Leg	1
H	 Support bar	1
J	 Support bar	1
K	 M6X16 Bolt	4+1
L	 M6X18 Bolt	10+2

Part	Description	Qty
M	 M6X40 Bolt	2+1
N	 M8X68 Bolt	4+1
P	 D6 Washer	18+2
Q	 D8 Washer	4+1
R	 M6 Nut	2+1
S	 Plastic Cylinder	4
T	 Plastic Cover	2
U	 Plastic Washer	2
V	 Allen Key	1
W	 Wrench	1

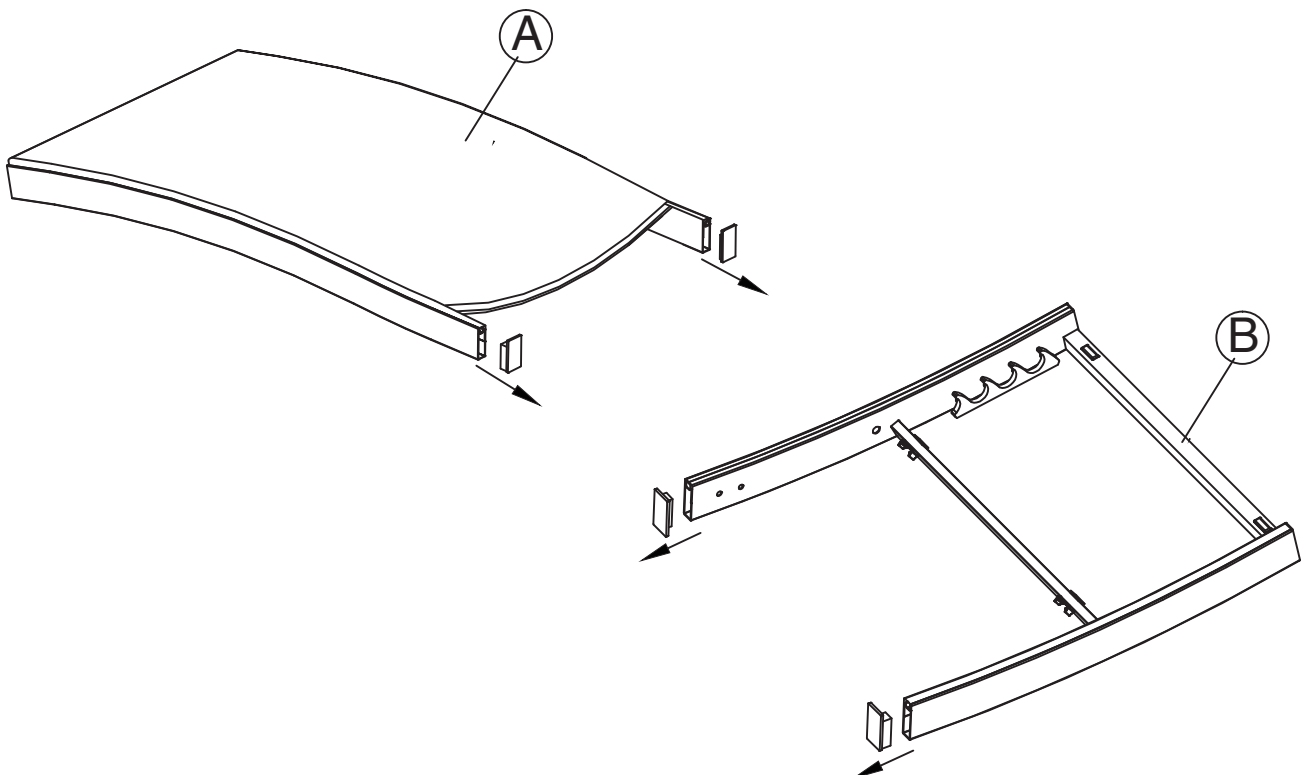
1. Attach Support Bar (Part H) to Back (Part E) using Bolt (K) and Washer (P) as shown in diagram.



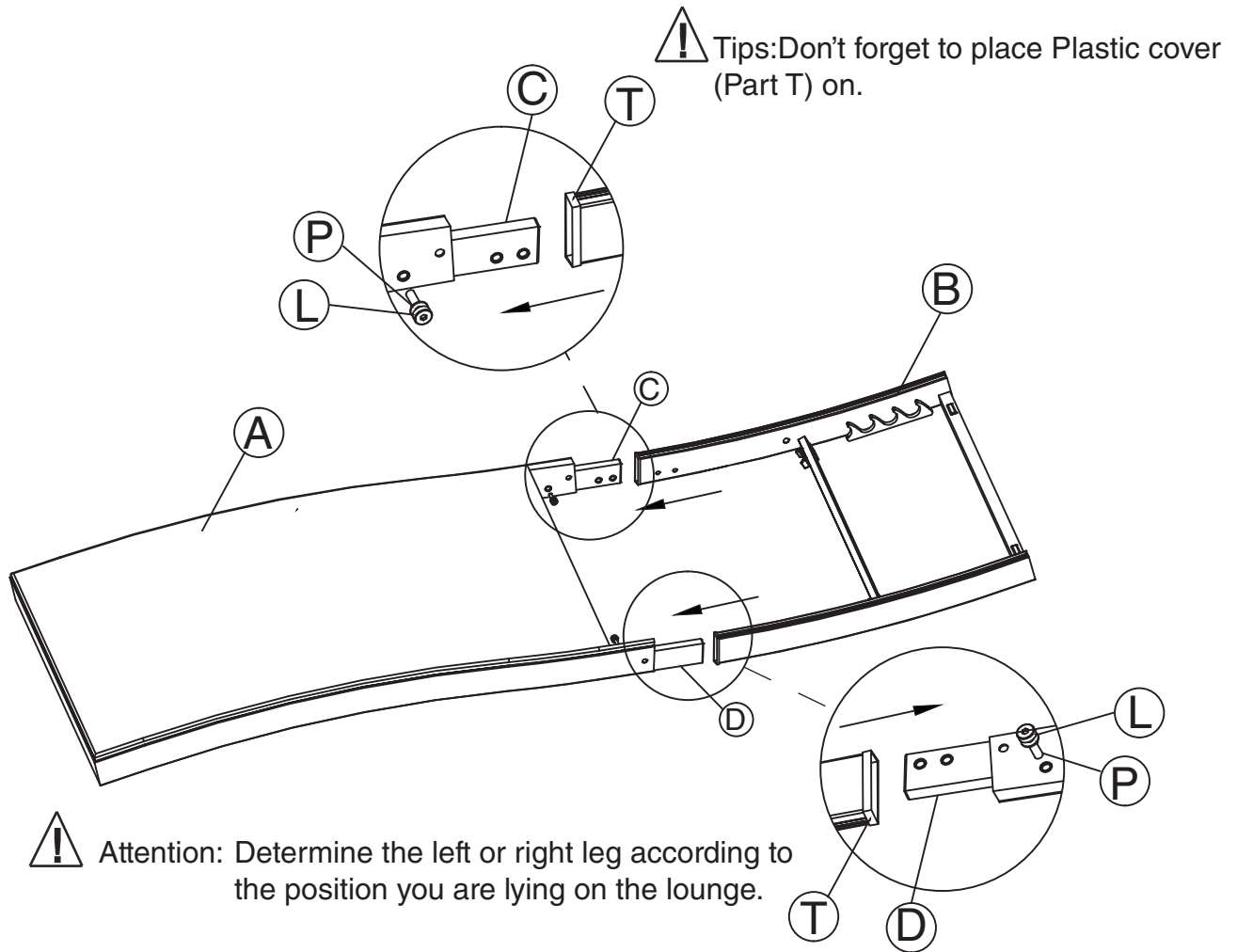
Attention:  
Don't screw thoroughly until  
final step.



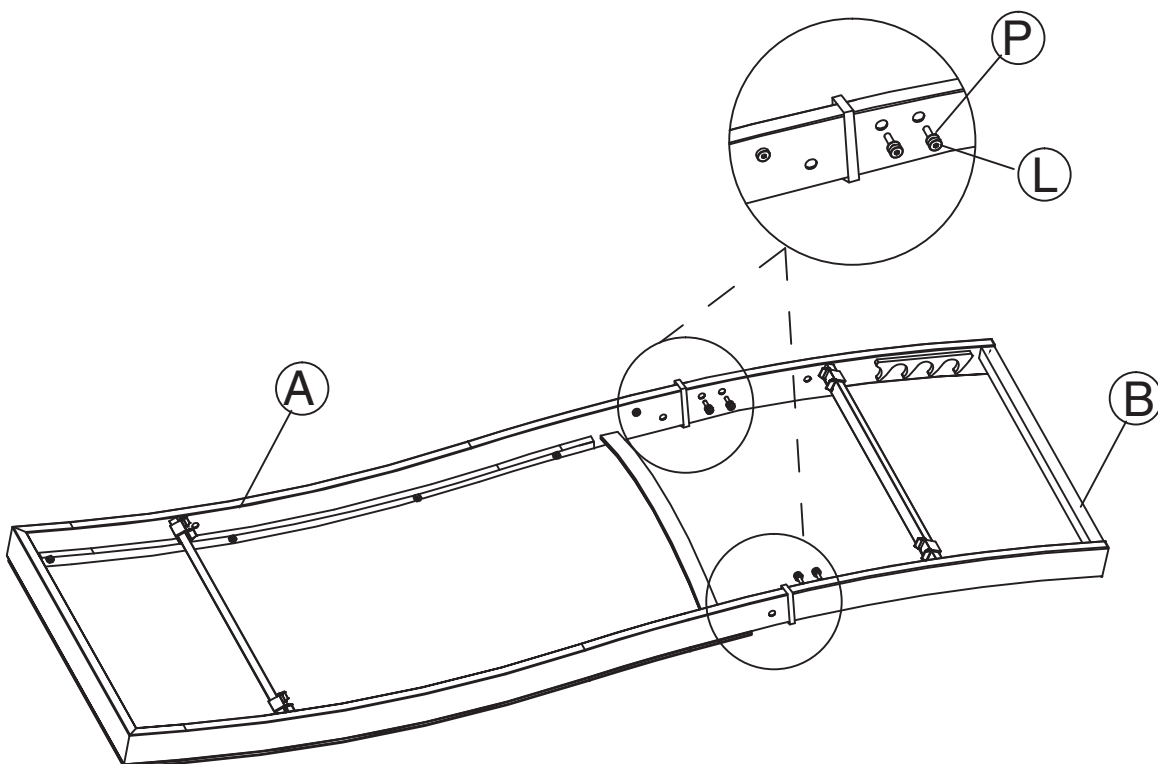
2. Pull the plastic plugs out from Bedframe (Part A) & (Part B).  
Tips: plastic plugs merely prevent damage to tube.



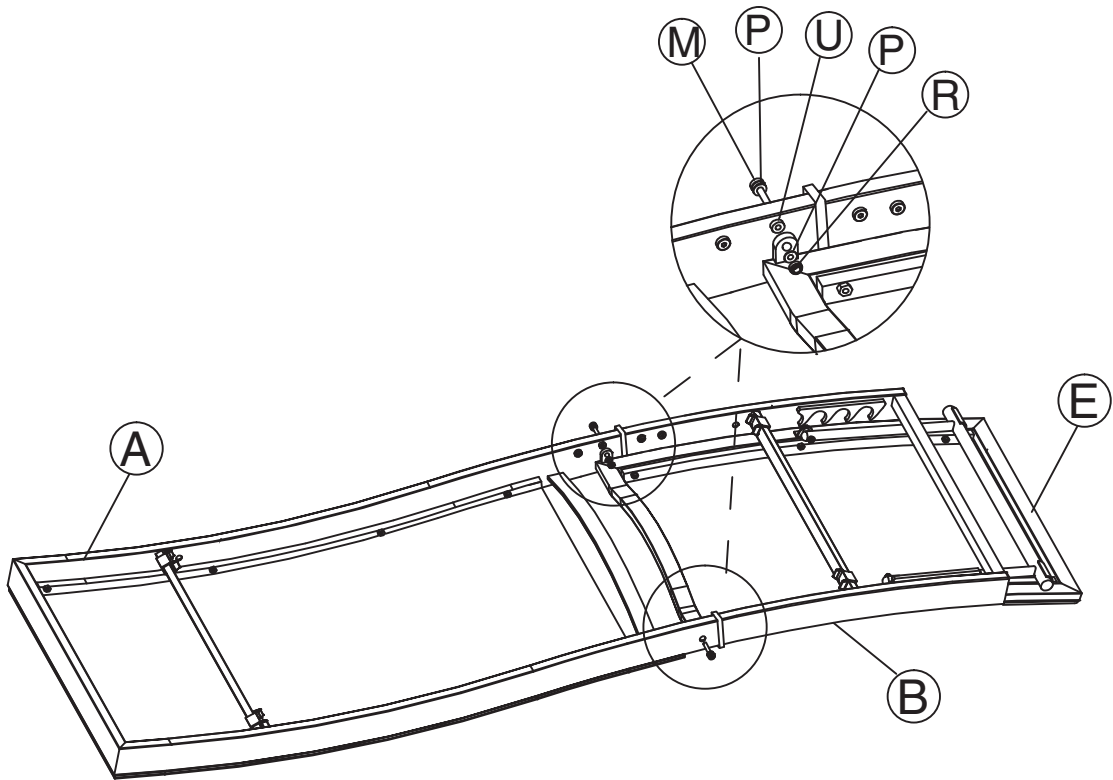
**3.** Connect Bed frame (Part A) & (Part B) using Right Connector (Part C), Left Connector (Part D), Bolt (L) and Washer (P).



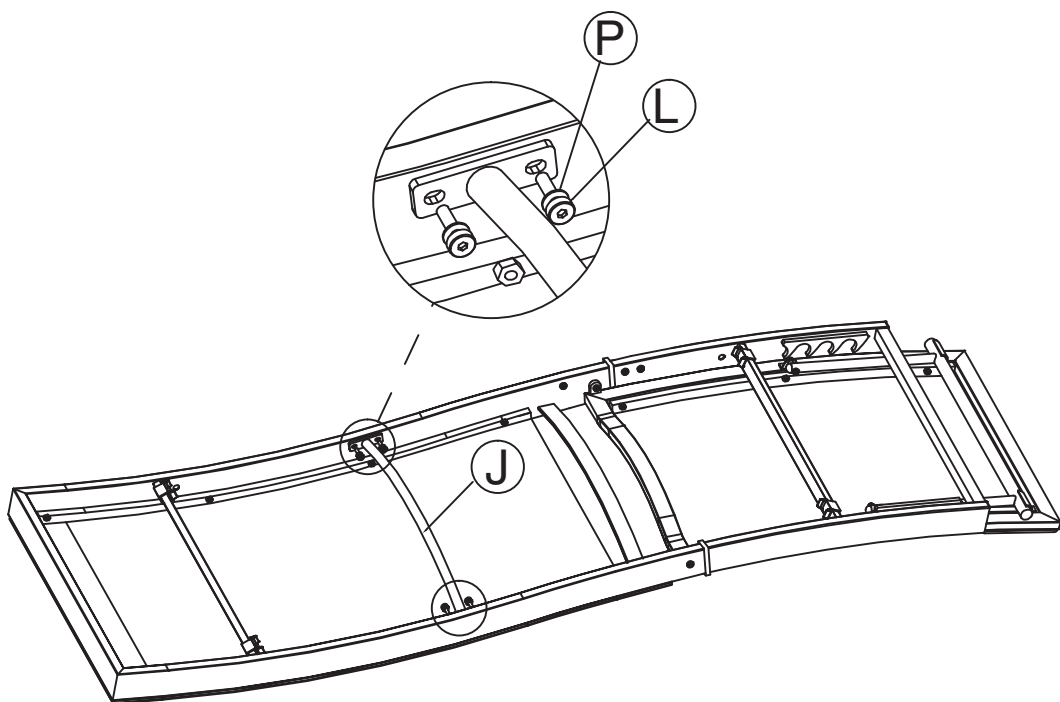
**4.** Then, turn over the whole Bed frame and strengthen it using Bolt (L) and Washer (P).



**5.** Connect Back (Part E) to Bed frame (Part A & B) using Bolt (M) Washer (P), and Nut (R).



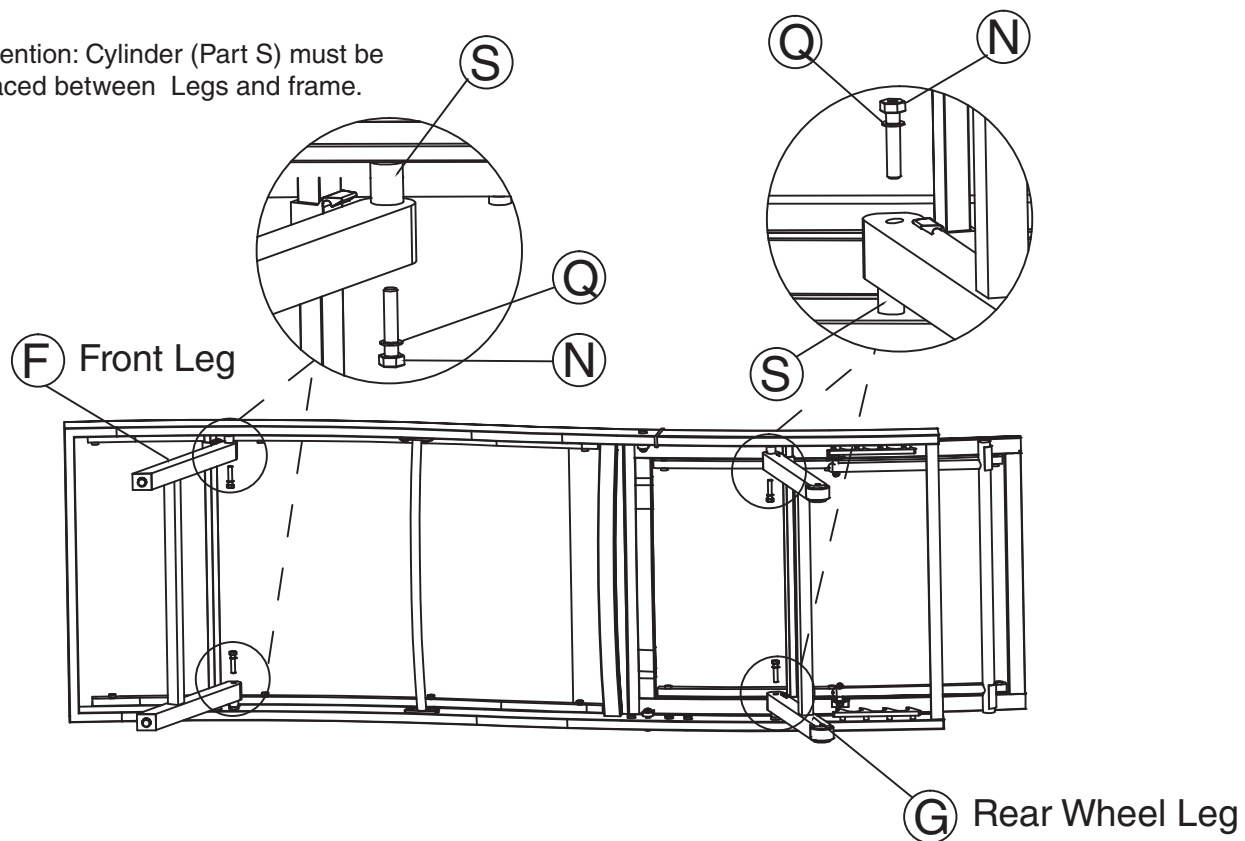
**6.** Attach Support bar (Part J) to whole Bed frame using Bolt (L) and Washer (P).



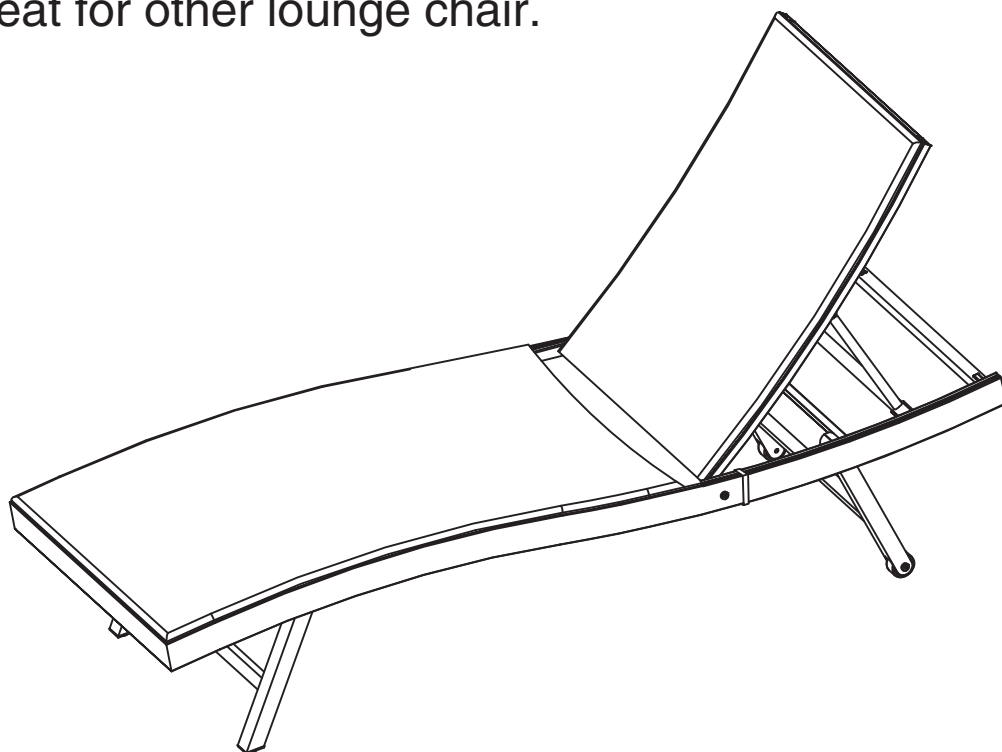
**7.** Attach Front Leg (Part F) and Rear Leg (Part G) to Bed Frame using Plastic Cylinder (S), Bolt (N), and Washer (Q).



Attention: Cylinder (Part S) must be placed between Legs and frame.



**8.** Check that all bolts are fixed tightly before using.  
Repeat for other lounge chair.





Enjoy Cozy Life!

**SUPPORT:**

Toll free: 1-866-355-0018

[www.kozyard.com](http://www.kozyard.com)

email: [support@kozyard.com](mailto:support@kozyard.com)

**SOCIAL MEDIA:**



Follow us on Instagram

[www.instagram.com/kozyard](http://www.instagram.com/kozyard)

**KOZYARD LLC**

10808 6th ST, Unit 100,  
Rancho Cucamonga, CA 91730