



Features and Benefits

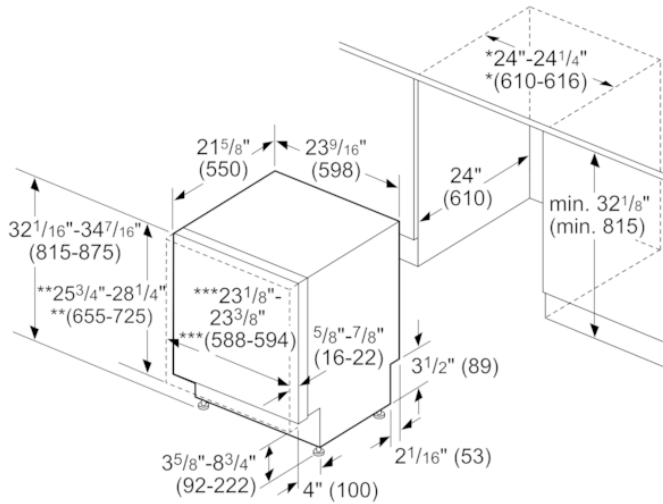


Notes: All height, width and depth dimensions are shown in inches. *Please refer to installation instructions prior to making cutout. BSH reserves the absolute and unrestricted right to change product materials and specifications, at any time, without notice. Consult the product's installation instructions for final dimensional data and other details. Applicable product warranty can be found in a accompanying product literature or you may contact your account manager for further details.

For more information on our entire line of products, go to boschappliances.com or call 1-800-944-2904.
Copyright ©2021 BSH Home Appliances Corporation. All rights reserved. Bosch is a registered trademark of Robert Bosch GmbH.

Litho Date: 01/2021





* 23⁵/₈" (600 mm) without decor strips
 ** measured from the bottom edge of the countertop panel thickness recommended 3/4" (20 mm), panel weight 6-18 lbs (2.5-8.5 kg)
 *** 24" (610 mm) wide panel may be used depending on cabinet design

measurements in inches (mm)

Features

Watts (W)	
Current (A)	12
Volts (V)	120
Frequency (Hz)	60
Power Cord Length	67"
Minimum Water Pressure (lb/sin)	7.0
	65"
Length outlet hose (in)	74 3/4"
Overall appliance dimensions (HxWxD) (in)	32 1/16" x 23 9/16" x 21 5/8"
Required cutout size (HxWxD) (in)	x 32 1/8" x 23 9/16"
Adjustable feet	Yes

Technical Specification

Number of wash cycles	5
Number of options	6
Third Rack	3rd Rack 1.0
Tub material	Stainless steel
Ce concealed heating element	Yes
Leak protection system	24/7 Aqua Stop Plus
Five-level wash	No
Water softener	Yes
ChildLock	No
Total annual energy consumption (kWh)	269
Energy Efficiency Class	Tier 1
ENERGY STAR®	Yes
Total annual energy consumption (kWh)	
Total annual water consumption (g)	
Number of place settings	15

Notes: All height, width and depth dimensions are shown in inches. *Please refer to installation instructions prior to making cutout. BSH reserves the absolute and unrestricted right to change product materials and specifications, at any time, without notice. Consult the product's installation instructions for final dimensional data and other details. Applicable product warranty can be found in a accompanying product literature or you may contact your account manager for further details.

For more information on our entire line of products, go to boschappliances.com or call 1-800-944-2904.
 Copyright ©2021 BSH Home Appliances Corporation. All rights reserved. Bosch is a registered trademark of Robert Bosch GmbH.

Litho Date: 01/2021

