

SSDWMS

Stainless Steel Double Wall Shelf Assembly Instructions

Max Weight Capacity Each Shelf = 44 Lbs

READ ALL INSTRUCTIONS AND WARNINGS BEFORE USING THIS PRODUCT.

This manual provides important information on proper operation & maintenance. Every effort has been made to ensure the accuracy of this manual. These instructions are not meant to cover every possible condition and situation that may occur. We reserve the right to change this product at any time without prior notice.

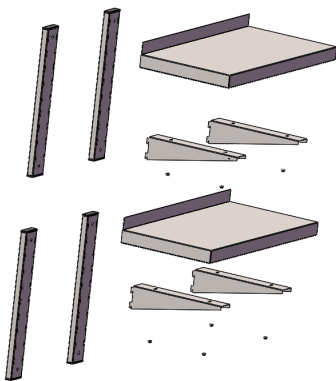
**IF THERE IS ANY QUESTION ABOUT A CONDITION BEING SAFE OR UNSAFE,
DO NOT USE THIS PRODUCT!**

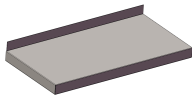
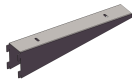
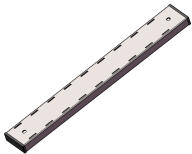



DO NOT RETURN THIS PRODUCT TO THE RETAILER - CONTACT CUSTOMER SERVICE.

If you experience a problem, have questions or need parts for this product, visit our website <http://www.sportsmanseriesbrand.com> or call Customer Service at 1-888-287-6981, Monday-Friday, 8 AM - 4 PM Central Time. A copy of the sales receipt is required.

KEEP MANUAL, SALES RECEIPT & APPLICABLE WARRANTY FOR REFERENCE

PARTS LIST



		
Shelf - 2 Pieces	Bracket - 4 Pieces	Support Bar - 4 Pieces
		
Nut - 8 Pieces	Washer - 8 Pieces	Spanner - 1 Piece

Check all packaging materials for any small parts that may have come loose during shipping. Before assembly, locate and identify all parts.

ASSEMBLY INSTRUCTION

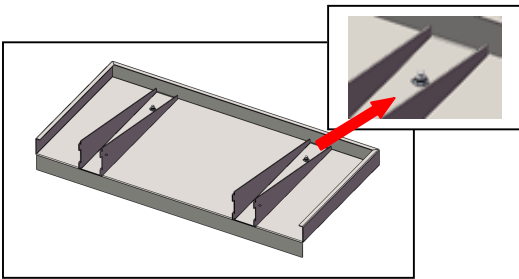


Fig 1

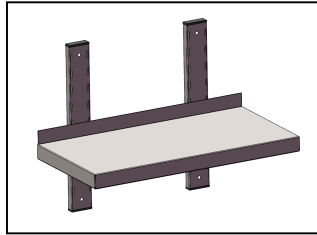


Fig 2

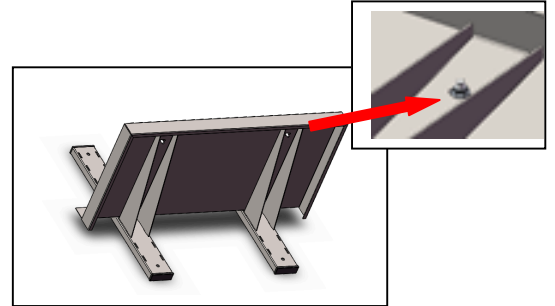


Fig 3

1. Remove all protective film, taking care to avoid scratching the surface.
2. Place one shelf face down on the floor.
3. Attach two brackets under the shelf using two bolts each bracket. Insert the washer into the bolts one each, and then screw the nut loosely into the bolt. [Fig.1]
4. Slide the bracket into the two Support Bars, and then fix the whole shelf on the wall. [Fig.2]
5. Tightly secure all screws which were loose before. [Fig.3]
6. Repeat the above action to assemble another shelf. [Fig.4]

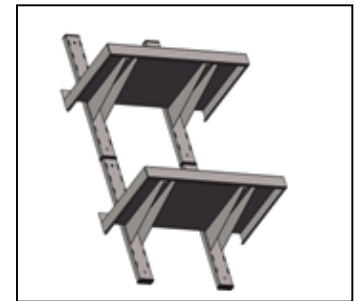


Fig 4

Safety Tips

- While care has been taken to remove sharp edges, use caution when cleaning or handling to prevent risk of injury from exposed metal edges.
- Do not overload the shelf.

Cleaning

- Before use, remove protective film and clean the shelves.
- Clean the shelves using a cleaning agent suitable for use with stainless steel and galvanized surfaces.
- Always remove cleaning agent residues, as this can discolor the surface.
- Never leave any surface damp as this may cause discoloration. Dry all components thoroughly.