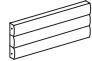


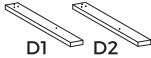

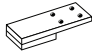
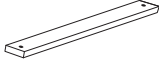
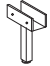

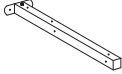
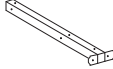



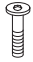
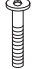
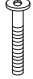







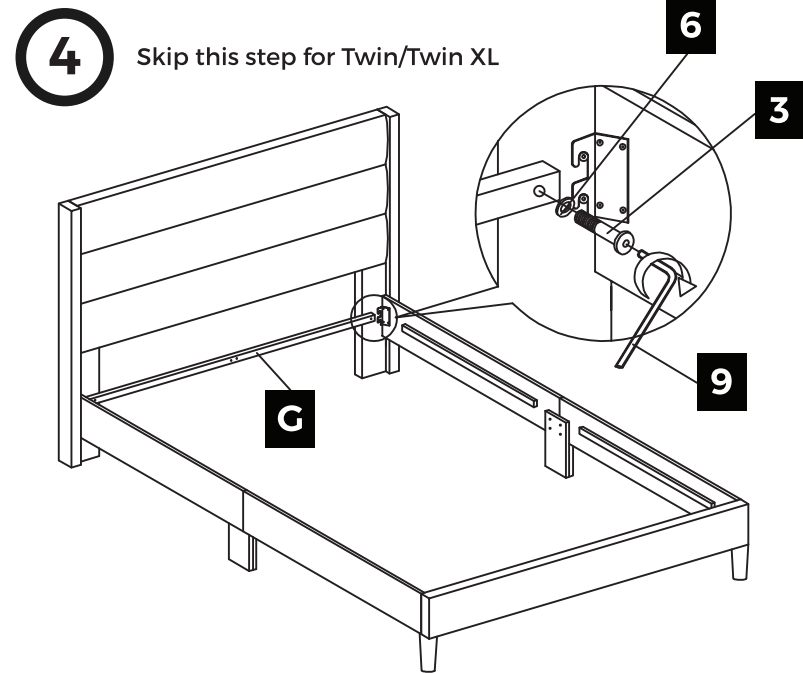
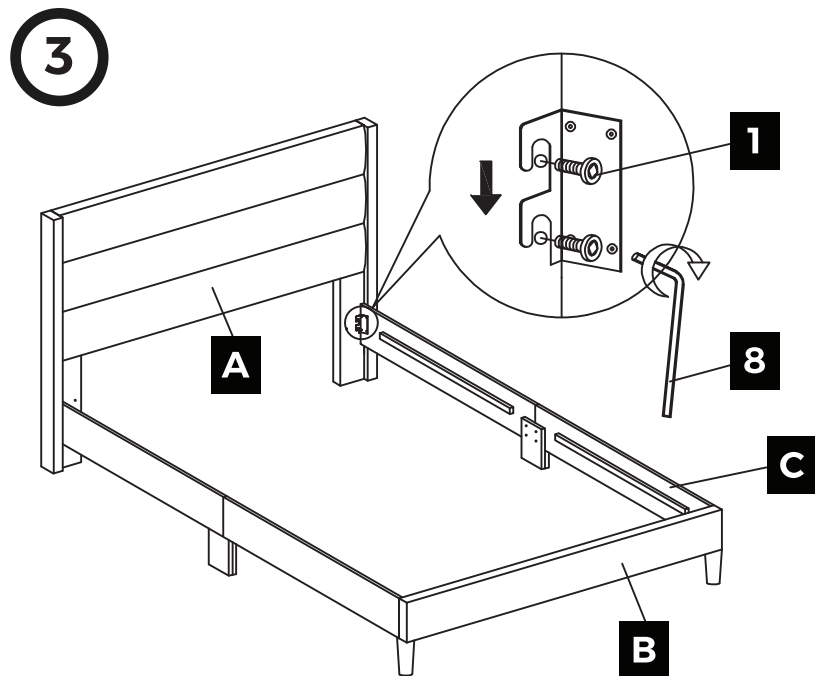
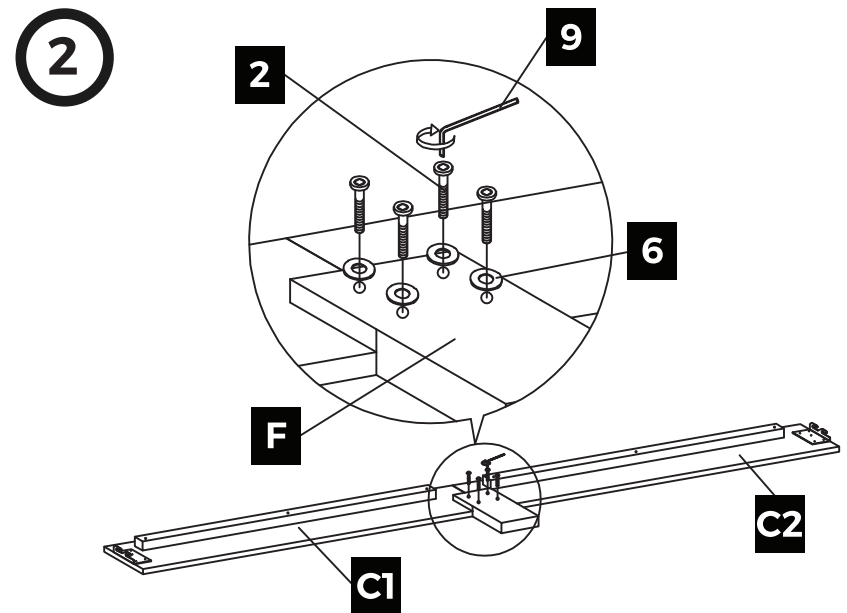
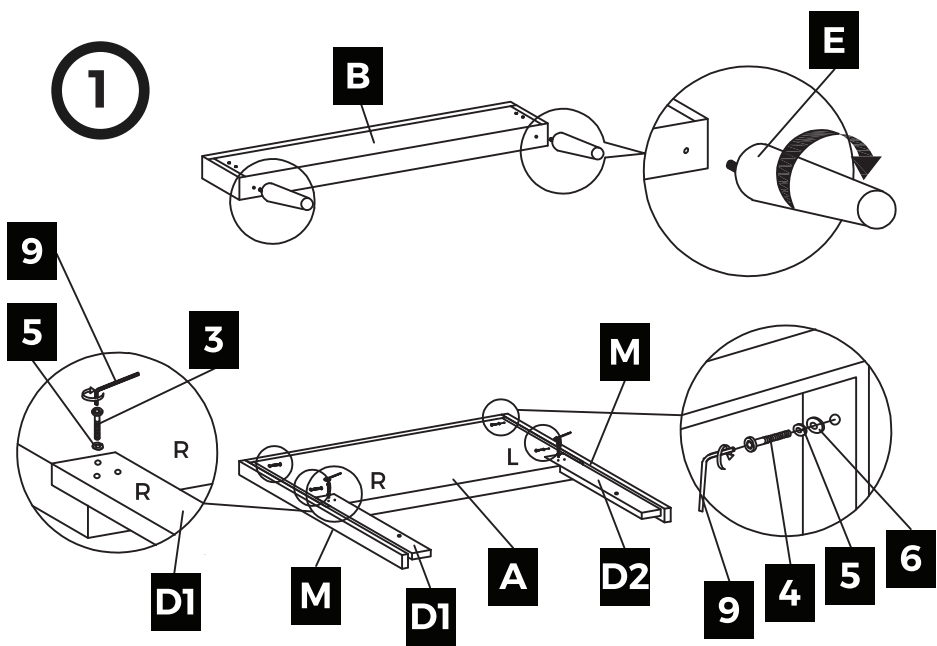
# ASSEMBLY INSTRUCTIONS

<b>A</b>		Headboard	1 pc.
<b>B</b>		Footboard	1 pc.
<b>C</b>		Side Rails	4 pcs.
<b>D</b>		Headboard Legs	2 pcs.
<b>E</b>		Footboard Legs	2 pcs.
<b>F</b>		Side Rail Legs	2 pcs.
<b>G</b>		Head Rail	0 pcs. - Twin/Twin XL 1 pc. - Full/Queen King/Cal King
<b>H</b>		Center Support Leg	0 pcs. - Twin/Twin XL 1 pc. - Full/Queen 2 pcs. - King/Cal King
<b>I</b>		Support Legs	0 pcs. - Twin/Twin XL 2 pcs. - Full/Queen 4 pcs. - King/Cal King
<b>J</b>		Center Support Rail (Head)	0 pcs. - Twin/Twin XL 1 pc. - Full/Queen 2 pcs. - King/Cal King
<b>K</b>		Center Support Rail (Foot)	0 pcs. - Twin/Twin XL 1 pc. - Full/Queen 2 pcs. - King/Cal King
<b>L</b>		Bed Slats	2 Sets
<b>M</b>		Headboard Wings	2 pcs.

<b>1</b>		M8x20mm Bolts	8 pcs.
<b>2</b>		M6x30mm Bolts	8 pcs. - Twin/Twin XL 12 pcs. - Full/Queen 16 pcs. - King/Cal King
<b>3</b>		M6x35mm Bolts	6 pcs. - Twin/Twin XL 16 pcs. - Full/Queen 24 pcs. - King/Cal King
<b>4</b>		M6x45mm Bolts	4 pcs.
<b>5</b>		Spring Washers	10 pcs.
<b>6</b>		Flat Washers	12 pcs. - Twin/Twin XL 14 pcs. - Full/Queen King/Cal King
<b>7</b>		32mm Wood Screws	24 pcs. - Twin/Full 28 pcs. - Twin XL/Queen King/Cal King
<b>8</b>		70mm Allen Key	1 pc.
<b>9</b>		65mm Allen Key	1 pc.

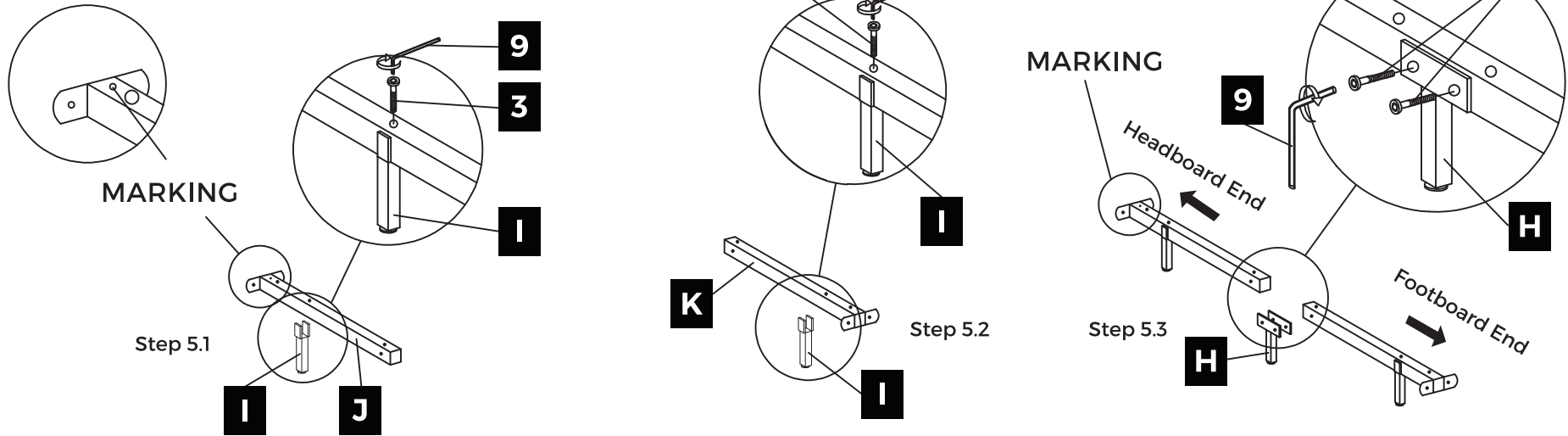
TOOLS NEEDED: Phillips Screwdriver





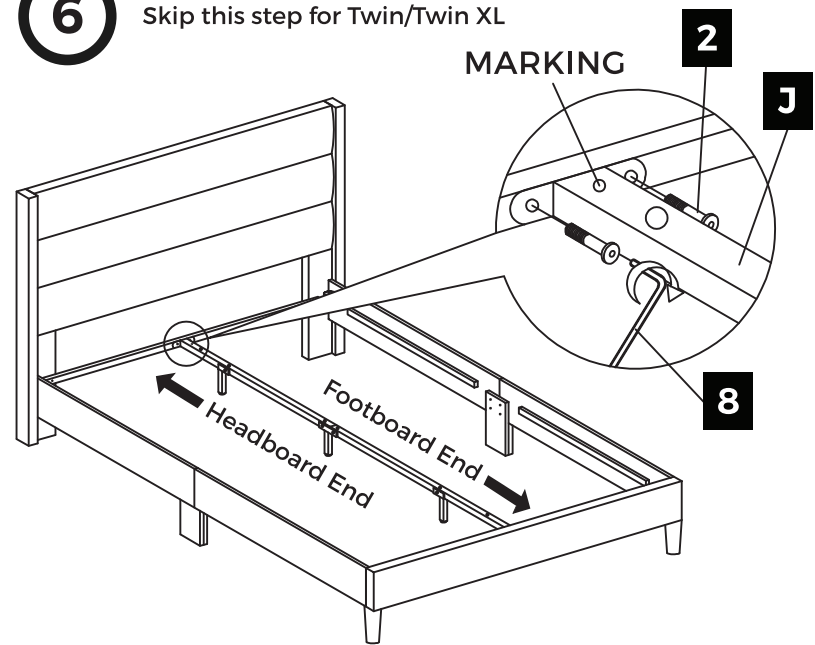
**5**

Skip this step for Twin/Twin XL

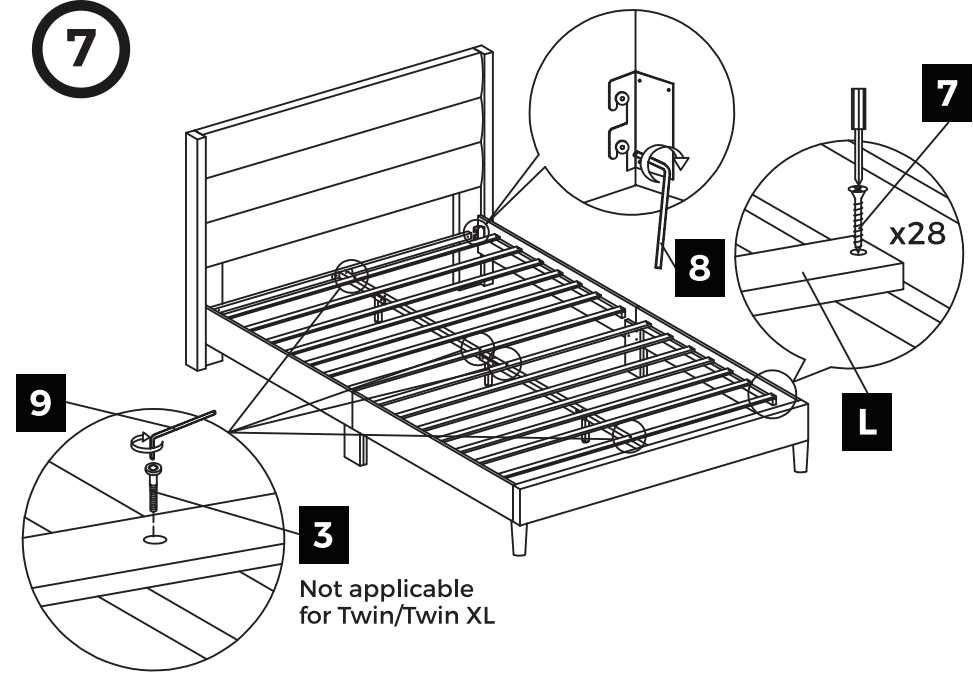


**6**

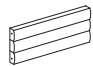


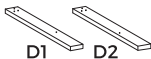

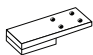

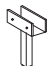

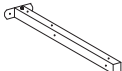
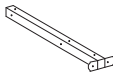


Skip this step for Twin/Twin XL



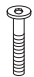
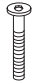


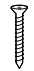




**7**

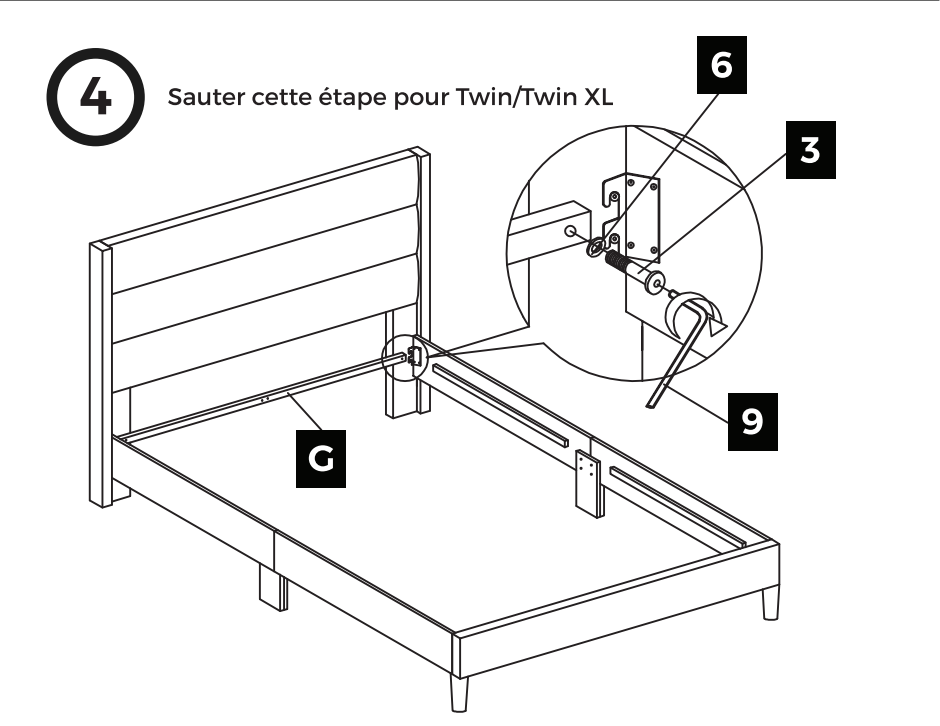
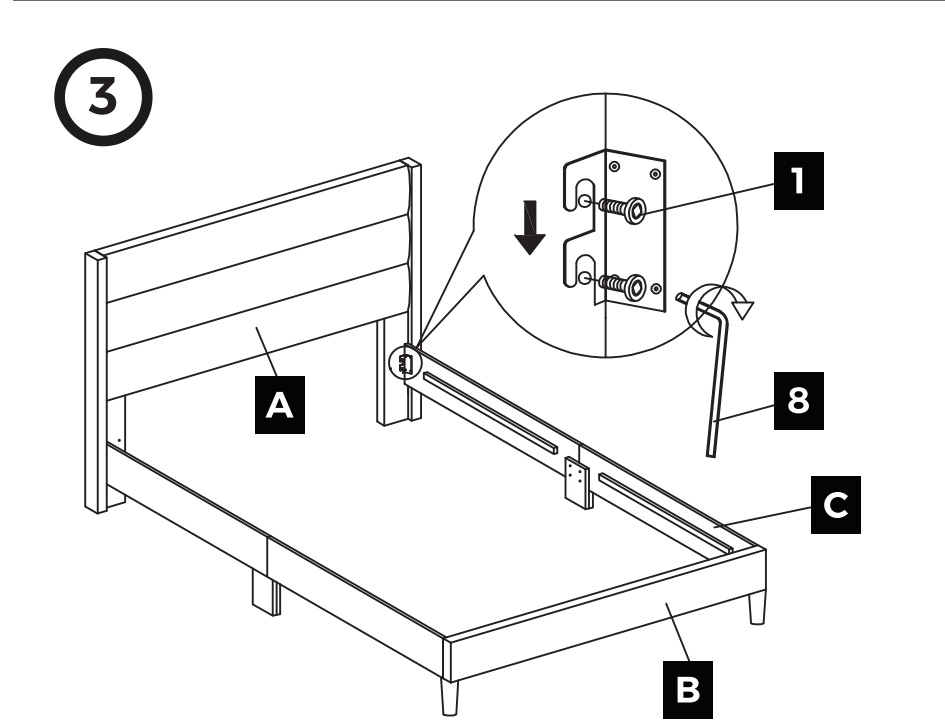
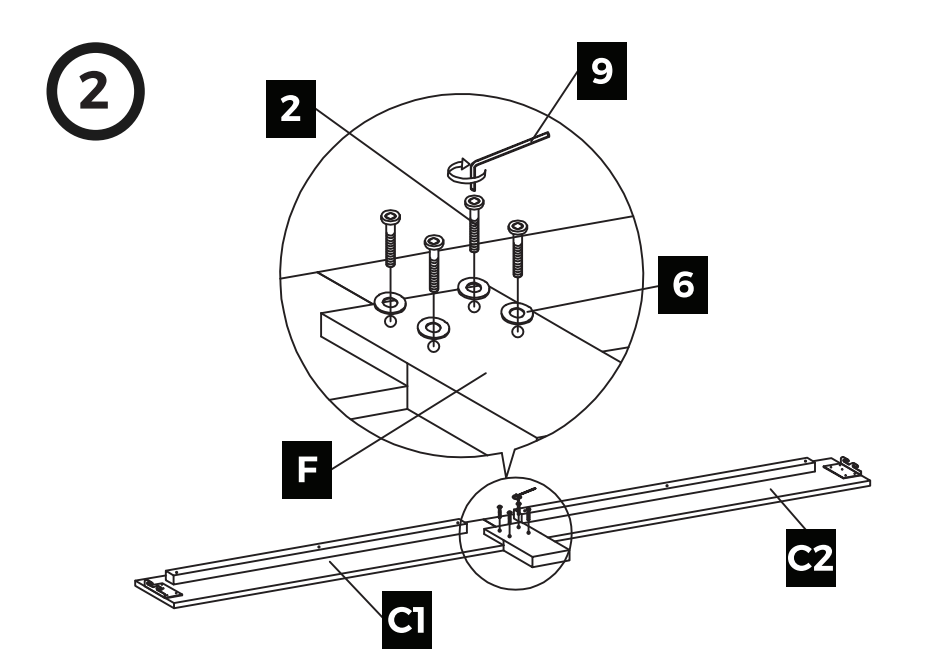
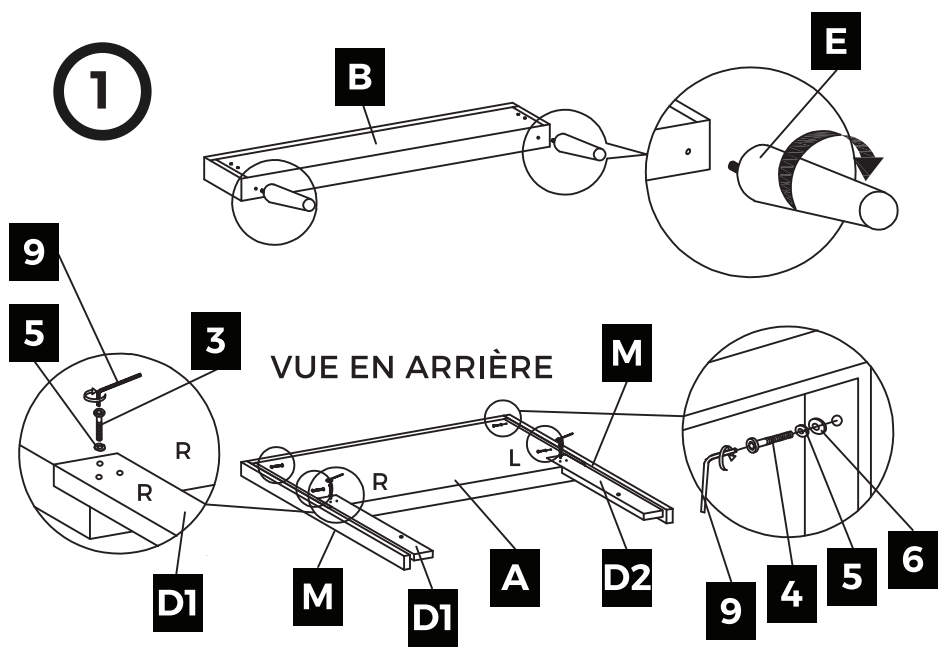


# INSTRUCTIONS D'ASSEMBLAGE

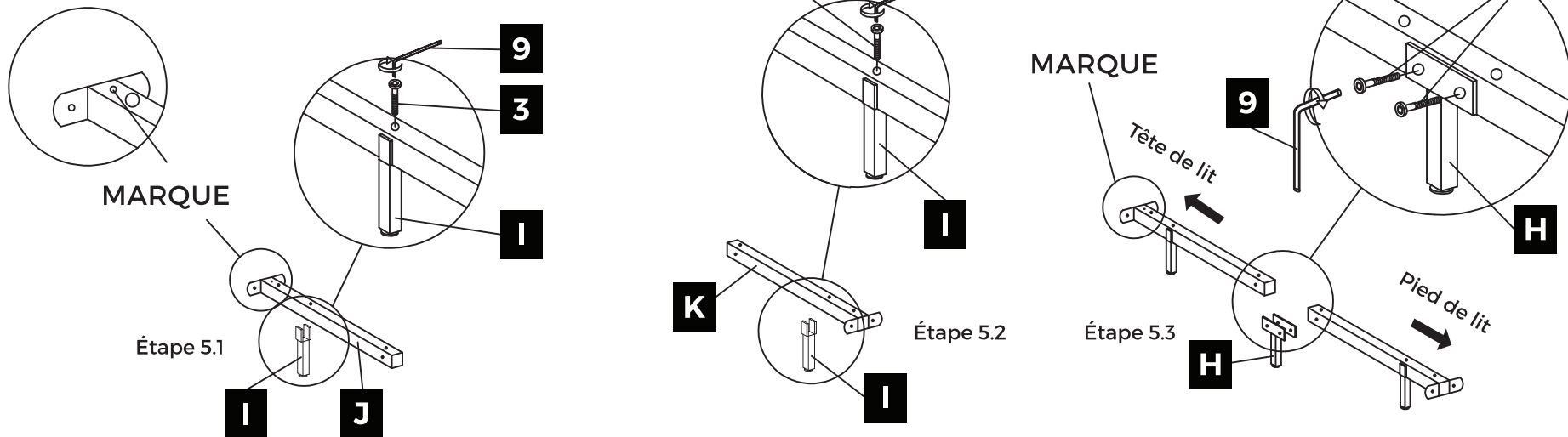
<b>A</b>		Tête de lit	1 pc.
<b>B</b>		Pied du lit	1 pc.
<b>C</b>		Rails latéraux	4 pcs.
<b>D</b>		Pieds de tête de lit	2 pcs.
<b>E</b>		Pieds du pied du lit	2 pcs.
<b>F</b>		Pieds de rails latéraux	2 pcs.
<b>G</b>		Rail de tête	0 pcs. - Simple/Simple XL 1 pc. - Double/Grand Très Grand Grand Californie
<b>H</b>		Supports de centre	0 pcs. - Simple/Simple XL 1 pc. - Double/Grand 2 pcs. - Très Grand Grand Californie
<b>I</b>		Pieds de soutien	0 pcs. - Simple/Simple XL 2 pcs. - Double/Grand 4 pcs. - Très Grand Grand Californie
<b>J</b>		Rail de support centraux (tête)	0 pcs. - Simple/Simple XL 1 pc. - Double/Grand 2 pcs. - Très Grand Grand Californie
<b>K</b>		Rail de support centraux (pied)	0 pcs. - Simple/Simple XL 1 pc. - Double/Grand 2 pcs. - Très Grand Grand Californie
<b>L</b>		Lattes du sommier	2 ensembles
<b>M</b>		Headboard Wings	2 pcs.

<b>1</b>		M8x20mm Boulons	8 pcs.
<b>2</b>		M6x30mm Boulons	8 pcs. - Simple/Simple XL 12 pcs. - Double/Grand 16 pcs. - Très Grand Grand Californie
<b>3</b>		M6x35mm Boulons	6 pcs. - Simple/Simple XL 16 pcs. - Double/Grand 24 pcs. - Très Grand Grand Californie
<b>4</b>		M6x45mm Boulons	4 pcs.
<b>5</b>		Rondelle élastique	10 pcs.
<b>6</b>		Rondelles	12 pcs. - Simple/Simple XL 14 pcs. - Double/Grand Très Grand Grand Californie
<b>7</b>		32mm Vis à bois	24 pcs. - Simple/Double 28 pcs. - Simple XL/Grand Très Grand/Grand Californie
<b>8</b>		70mm Clé Allen	1 pc.
<b>9</b>		65mm Clé Allen	1 pc.

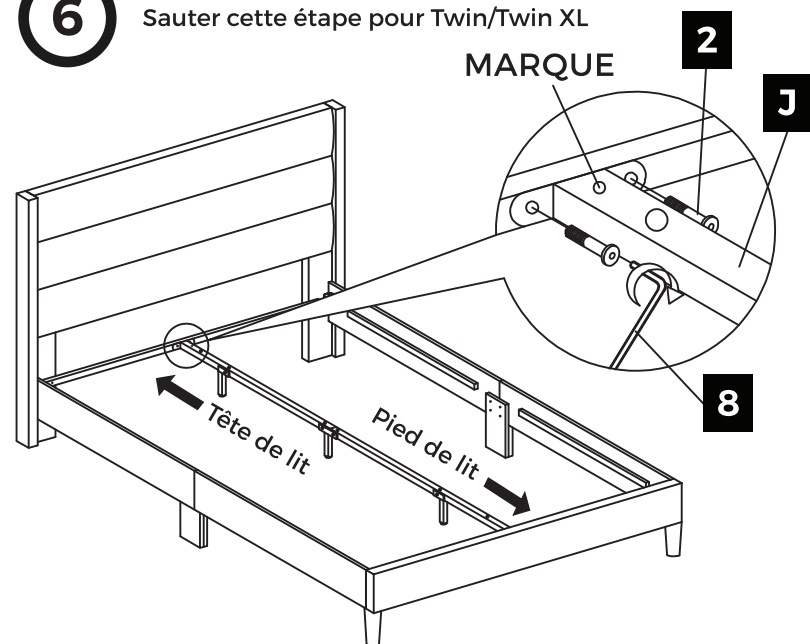
OUTILS NÉCESSAIRES : Tournevis Phillips 



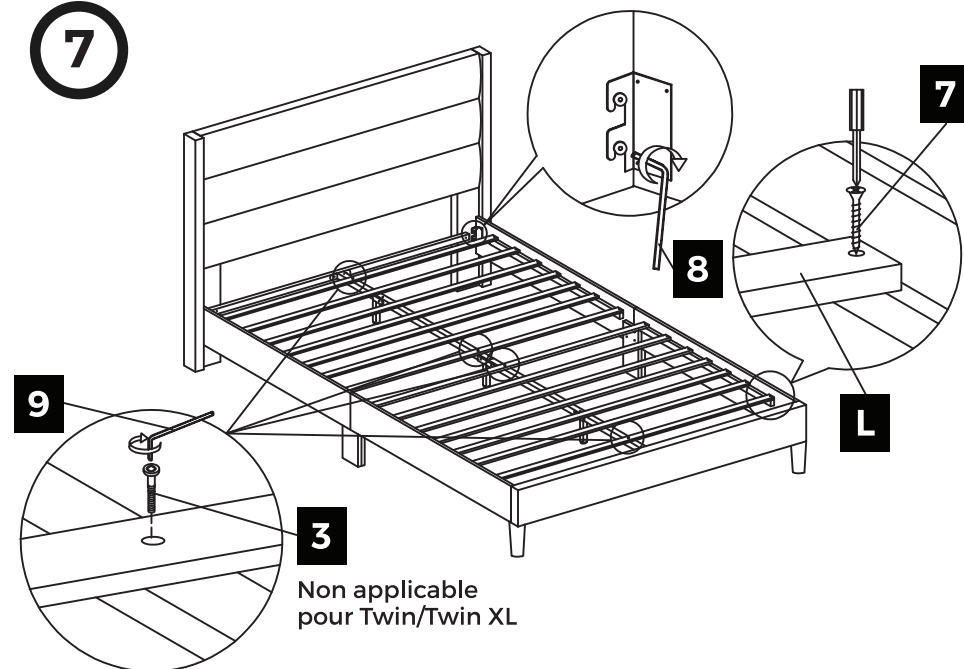
**5** Sauter cette étape pour Twin/Twin XL



**6** Sauter cette étape pour Twin/Twin XL



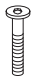
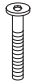


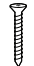




**7**



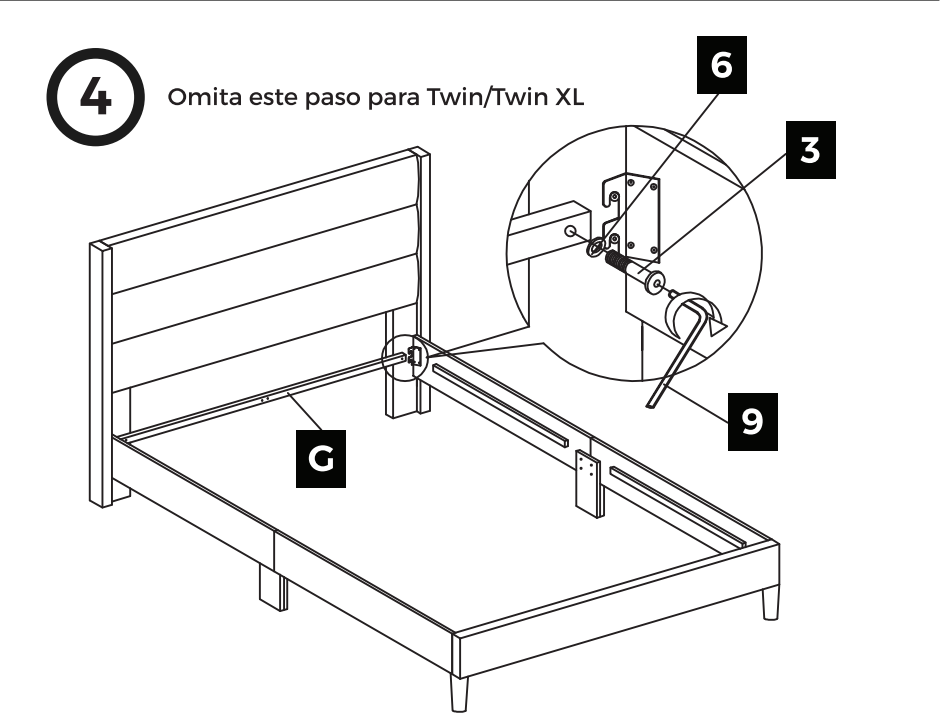
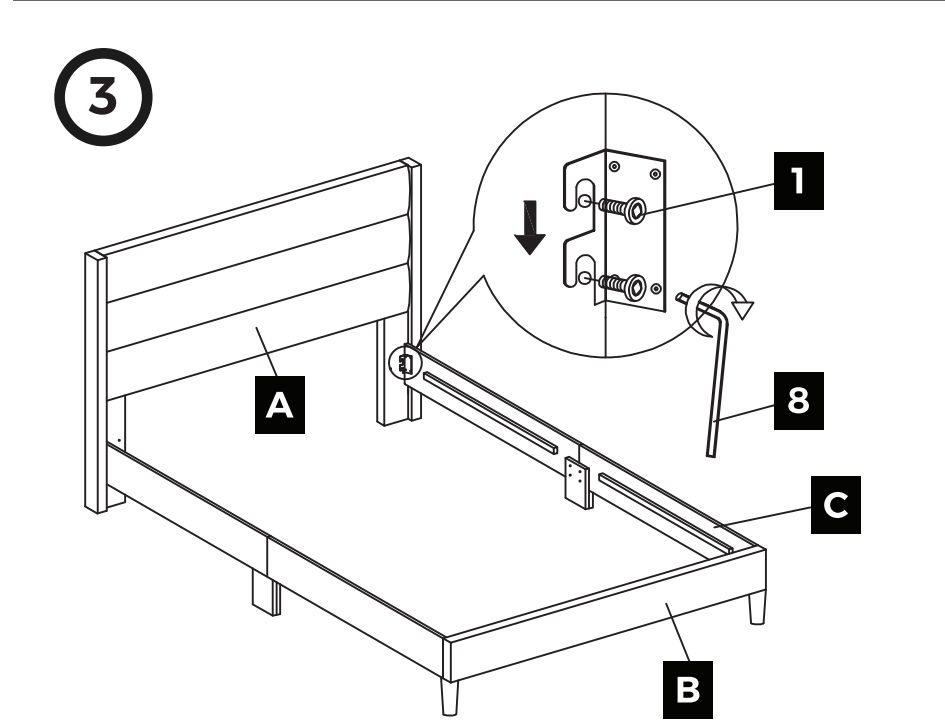
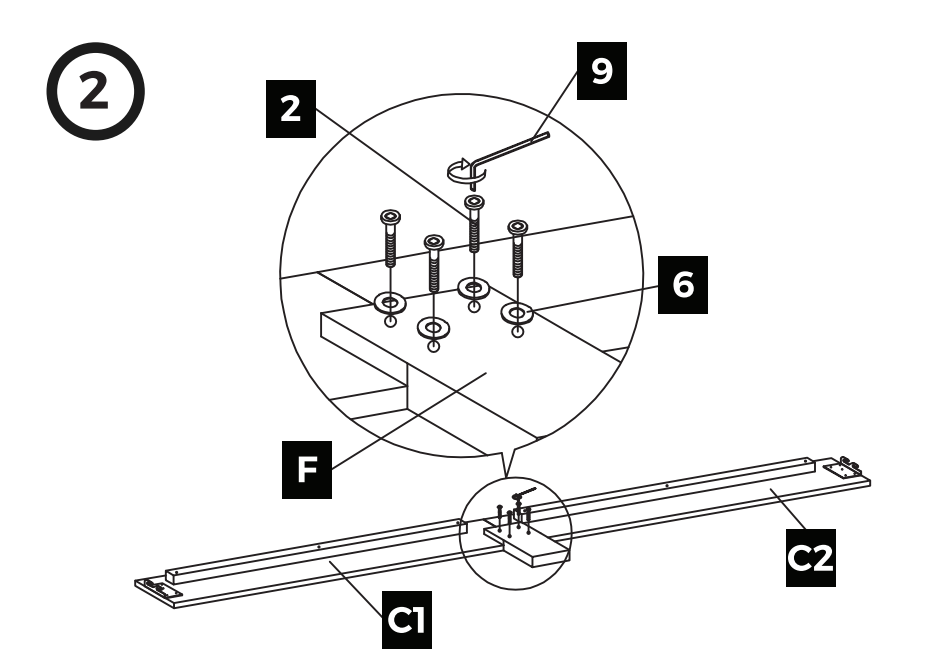
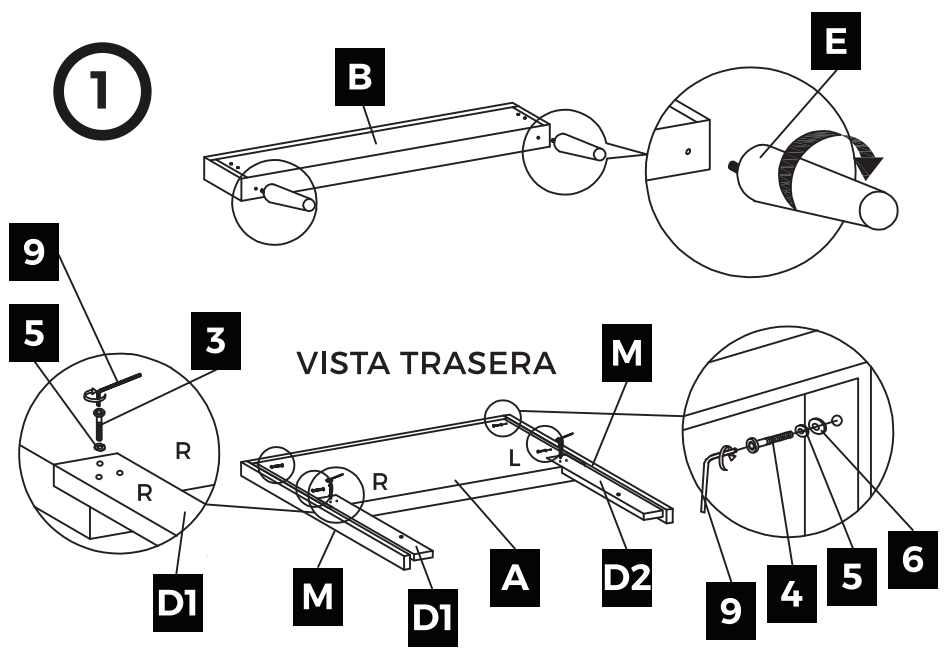
# INSTRUCCIONES DE ENSAMBLAJE

<b>A</b>		Cabecera	1 pz.
<b>B</b>		Estribo	1 pz.
<b>C</b>		Barandas	4 pzs.
<b>D</b>		Patas del cabecero	2 pzs.
<b>E</b>		Patas del estribo	2 pzs.
<b>F</b>		Patas de baranda	2 pzs.
<b>G</b>		Riel de la cabeza	0 pzs. - Individual Individual XL 1 pz. - Matrimonial/Queen King/California King
<b>H</b>		Pata de soporte central	0 pzs. - Individual Individual XL 1 pz. - Matrimonial/Queen 2 pzs. - King/California King
<b>I</b>		Patas de soporte	0 pzs. - Individual Individual XL 2 pzs. - Matrimonial/Queen 4 pzs. - King/California King
<b>J</b>		Riel de soporte central (Cabeza)	0 pzs. - Individual Individual XL 1 pz. - Matrimonial/Queen 2 pzs. - King/California King
<b>K</b>		Riel de soporte central (Pie)	0 pzs. - Individual Individual XL 1 pz. - Matrimonial/Queen 2 pzs. - King/California King
<b>L</b>		Listones para cama	2 juegos
<b>M</b>		Headboard Wings	2 pzs.

<b>1</b>		M8x20mm Pernos	8 pzs.
<b>2</b>		M6x30mm Pernos	8 pzs. - Individual Individual XL 12 pzs. - Matrimonial/Queen 16 pzs. - King/California King
<b>3</b>		M6x35mm Pernos	6 pzs. - Individual Individual XL 16 pzs. - Matrimonial/Queen 24 pzs. - King/California King
<b>4</b>		M6x45mm Pernos	4 pzs.
<b>5</b>		Rondanas de presión	10 pzs.
<b>6</b>		Rondanas	12 pzs. - Individual Individual XL 14 pzs. - Matrimonial/Queen King/California King
<b>7</b>		32mm Tornillos de madera	24 pzs. - Individual Matrimonial 28 pzs. - Individual XL/Queen King/California King
<b>8</b>		70mm Llave Allen	1 pz.
<b>9</b>		65mm Llave Allen	1 pz.

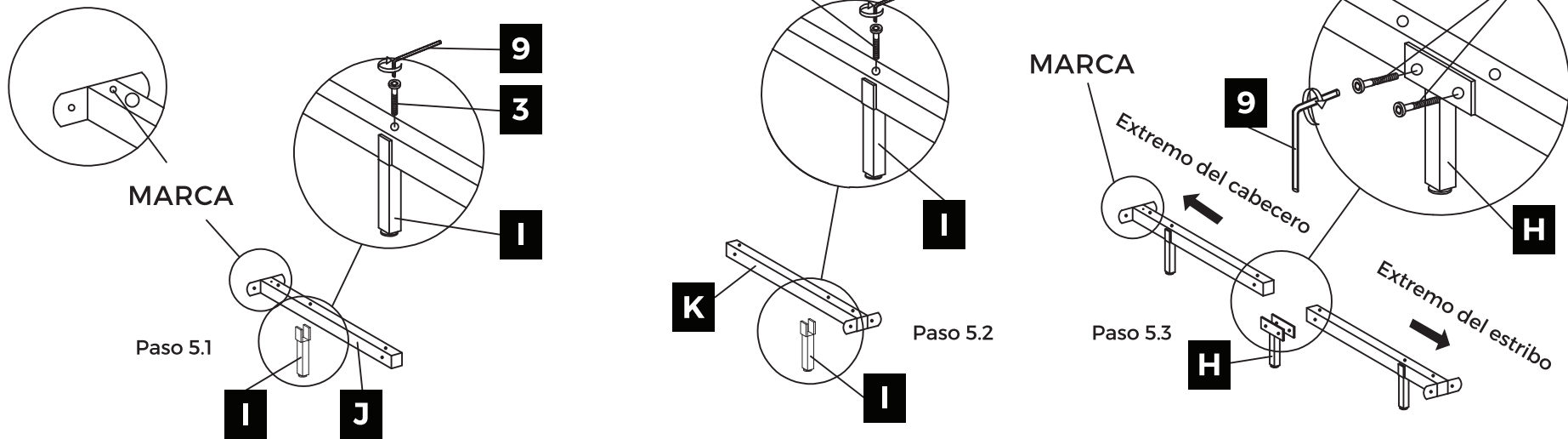
HERRAMIENTAS NECESARIAS: Desarmador Phillips



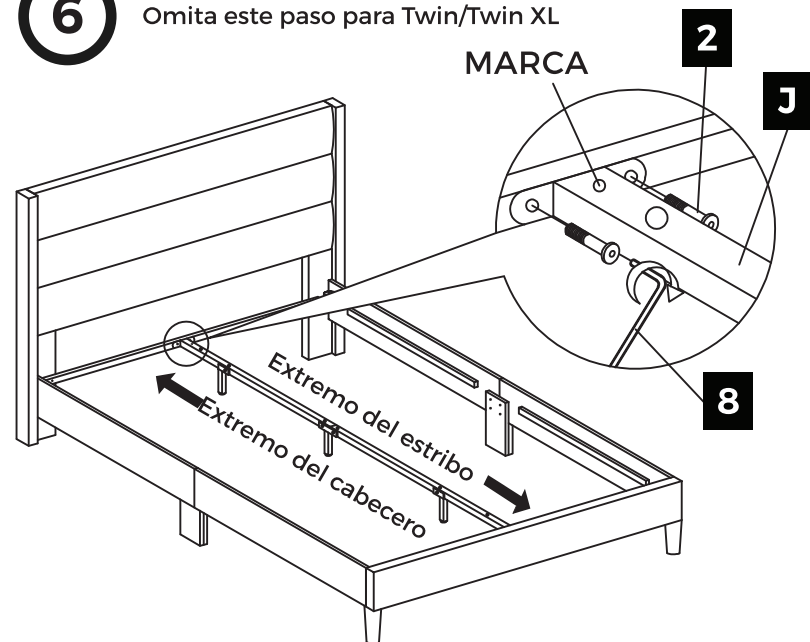




**5** Omite este paso para Twin/Twin XL



**6** Omite este paso para Twin/Twin XL



**7**

