

# Fairfield Garden Hose Bin Instructions (for part # 5858)

# MIS045



**PACKAGE CONTENTS:** 1x Bin and 1x Lid

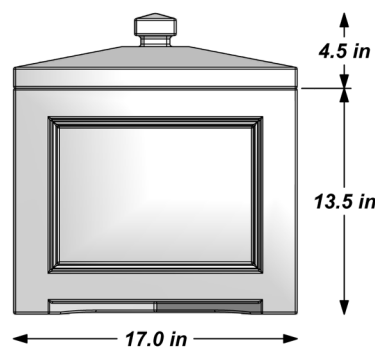
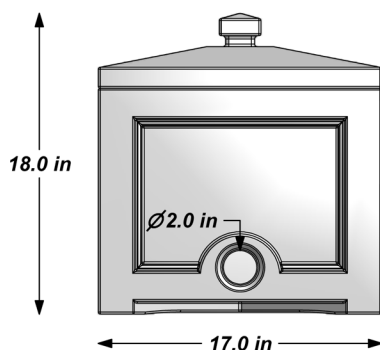
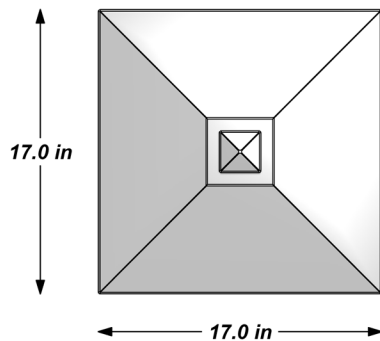
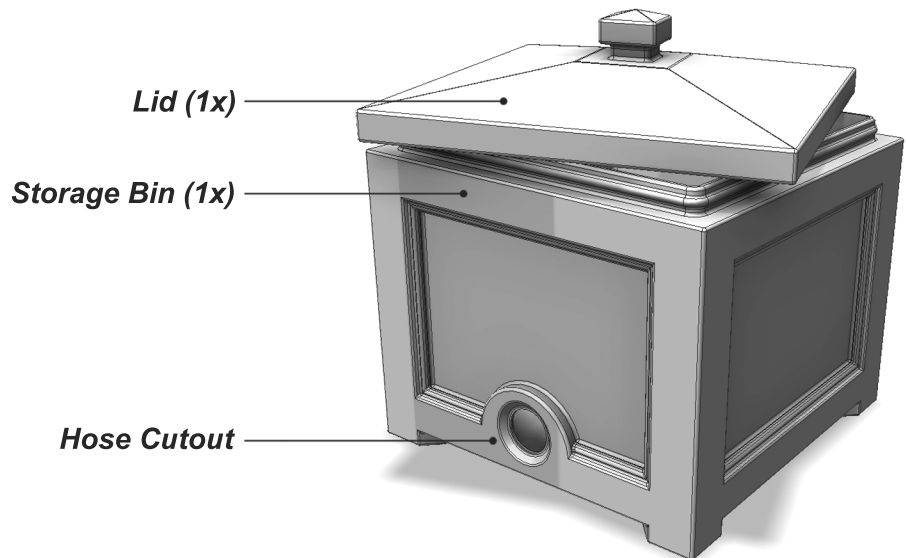
**COLORS:** Black, Clay, or White

**MATERIAL:** Polyethylene

**IMPORTANT NOTES:**

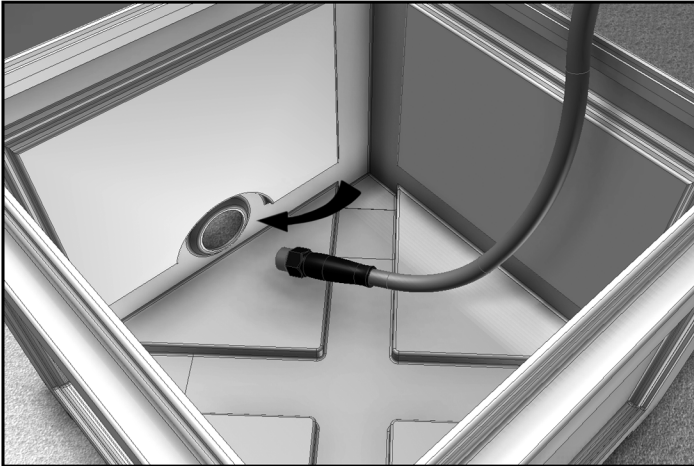
- The Fairfield Hose Bin is designed to hold up to 100 feet of garden hose (*garden hose not included*)
- To clean the product, for best results use a soap solution and high-pressure water
- The molded polyethylene construction is designed to withstand cold temperatures but you may wish to winter store the hose bin in a shed or garage to offer the best protection from extreme cold

In the event of missing or defective parts, please email [info@gomayne.com](mailto:info@gomayne.com) or call our customer service department toll free at 866-363-8834. (available Monday through Friday, 8am-5pm EST)



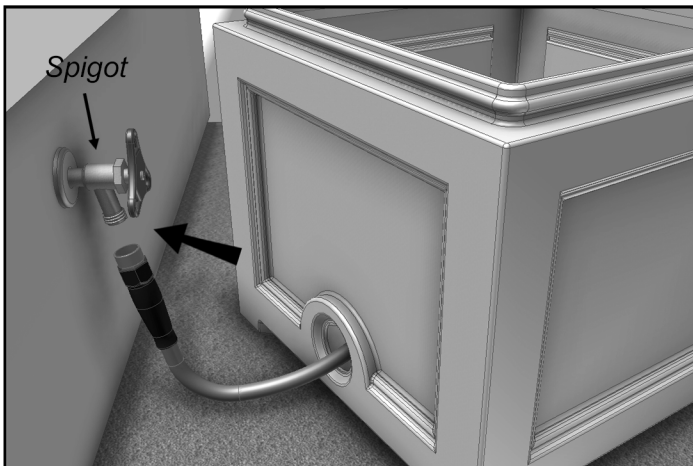
**MAYNE**<sup>®</sup>  
Outdoor Products of Distinction  
[www.gomayne.com](http://www.gomayne.com)

1



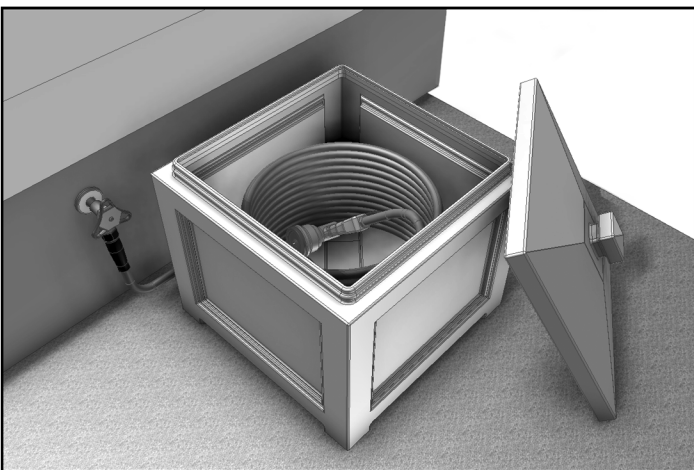
Insert the female end of the garden hose through the hole in the side of the bin.

2



Leave enough extra hose so you can move the bin around after the hose is attached to the spigot.

3



Place the hose bin in the desired location and coil up the garden hose inside.