

Item # 100026196
Model # H5CH2R



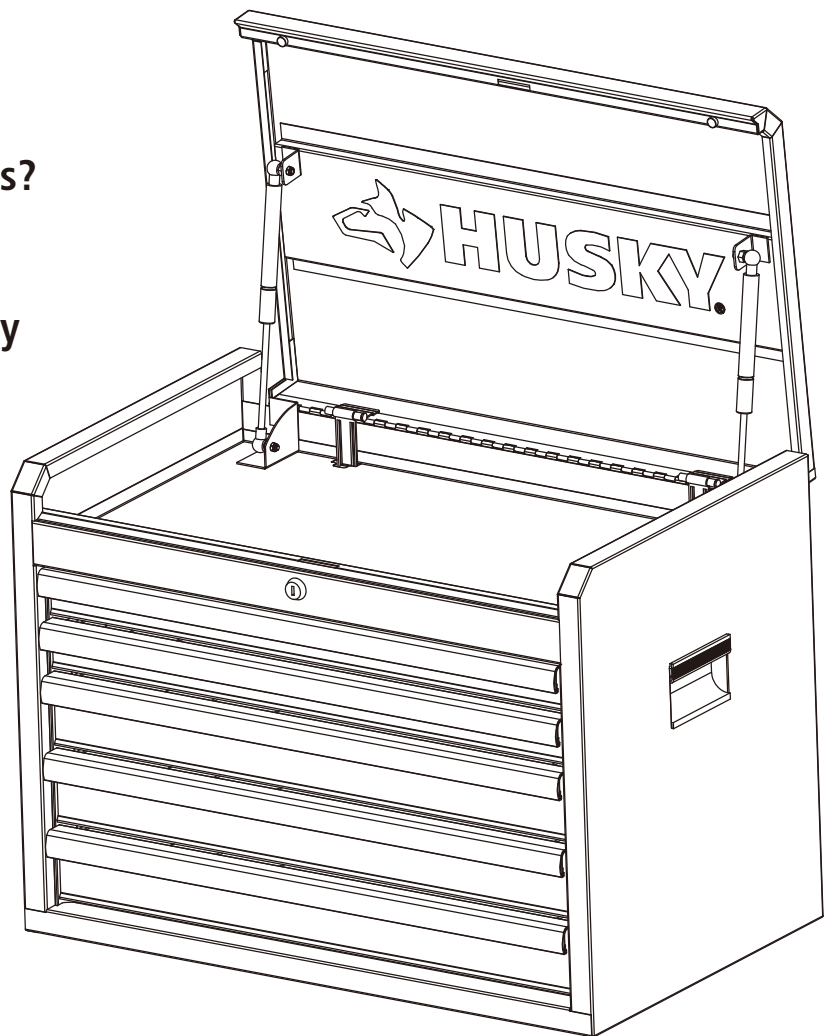
USE AND CARE GUIDE

5 DRAWER CLAM SHELL CHEST

Questions, problems, missing parts?
Before returning to the store, call
Husky Customer Service
8 a.m – 6 p.m., EST, Monday-Friday

1-888-HD-HUSKY

HUSKYTOOLS.COM



THANK YOU

We appreciate the trust and confidence you have placed in Husky through the purchase of this chest. We strive to continually create quality products designed to enhance your home. Visit us online to see our full line of products available for your home improvement needs. Thank you for choosing Husky!

Table of Contents

Table of Contents.....	2
Safety Information	2
Warranty	3
Specifications	3
Operation	3
Care and Cleaning	4

Safety Information

1. Secure this product properly before moving it with a forklift.
2. Do not alter this product in any manner. For example, do not weld external lock bars or attach electrical equipment.
3. When locking this chest, close the drawers firmly completely in order for the lock bars to work properly.



CAUTION: Do not attach or mount this product to a vehicle. This may cause personal injury or product damage. Mounting this product to any vehicle in any manner will void warranty.



CAUTION: Do not stand on this product. You may fall which may cause personal injury.



CAUTION: Be careful when opening more than one drawer. The product may become unstable and tip, which may cause personal injury or product damage.



CAUTION: Keep the product on level surfaces. The product may become unstable and tip if stored or moved on an unlevel surface, which may cause personal injury or product damage.



CAUTION: Lock the drawers before moving this product. The drawers could come open and make the product unstable and tip, which may cause personal or product damage.



CAUTION: Be careful when closing the cover. Remove hands before the cover closes completely to prevent personal injury.

Warranty

This product is guaranteed to be free of defects in materials and workmanship for 3 years from the date of purchase. If this product is defective, call 1-888-HD-Husky for repair or replacement parts or return the product to the store from which it was purchased. Guarantee does not include normal wear and tear.

Specifications

Maximum weight per (chest drawer)	50 lbs.
Maximum product weight, including contents	250 lbs.



NOTE: Begin product assembly close to the final intended location of your cabinet. This product is heavy and may be difficult to move after assembly.



NOTE: The keys are taped to the top of the plastic bag.

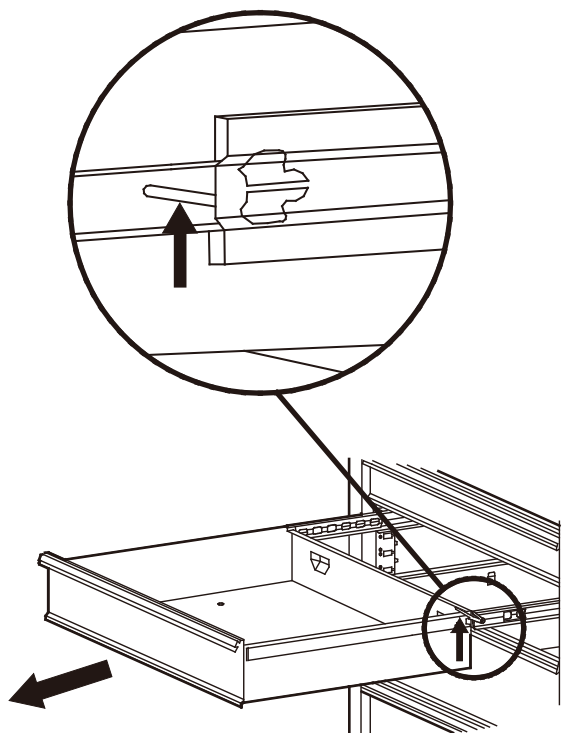
Operation

1 To unlock chest

- Turn key.
- Lifting cover unlocks drawers.

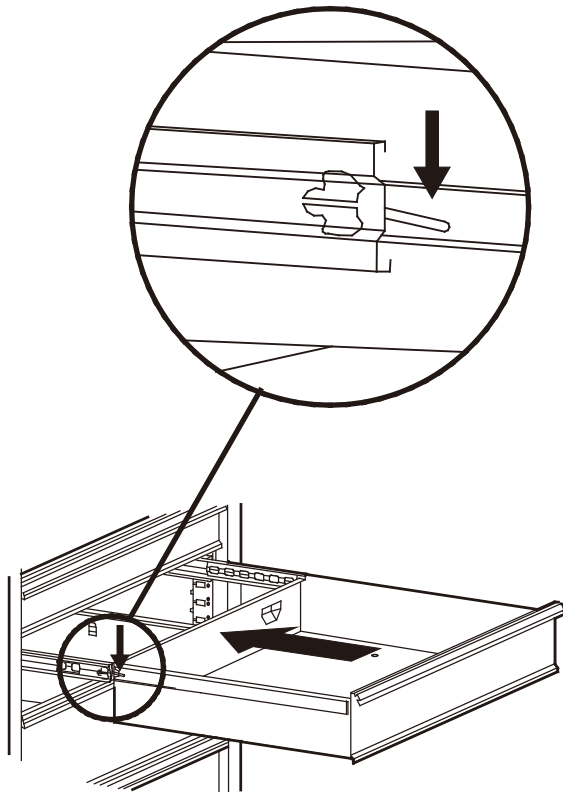
2 Removing the drawers

- Fully extend the empty drawer.
- Push up the one black release lever while pulling down on the other black release lever.
- Pull the drawer outward until it is released from the drawer slide.



3 Re-inserting the drawers

- Extend the drawer slides.
- Insert the brackets on each side of the drawer into the slots in the slides, being careful that they are properly positioned.
- Once properly inserted, completely close the drawer to set the slides in their proper positions.



Care and Cleaning

- Lubricate the drawer slides semi-annually.
- Periodically clean the drawer fronts, drawer trim, and other surfaces with a mild detergent and water.
- Auto wax preserves the storage unit's luster finish and protects against scratches. Apply the wax as you would on a car.
- Remove grease and oil with a standard nonflammable cleaning fluid.



Item # 100026200
Model # H4TR2R

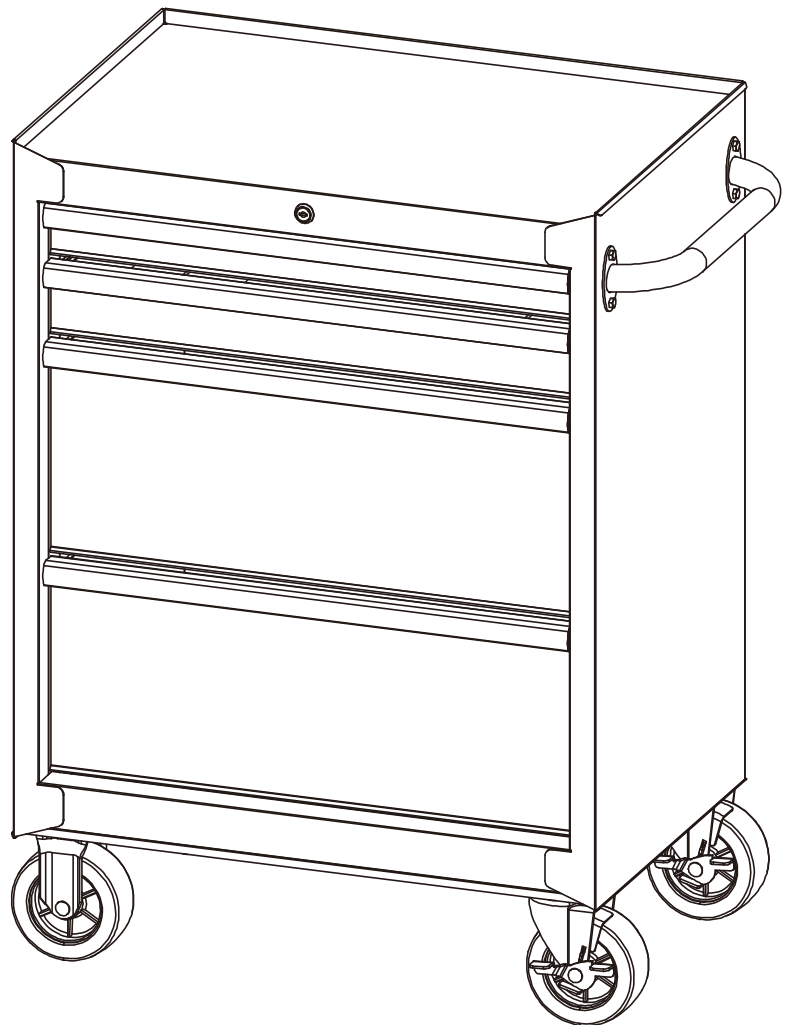
USE AND CARE GUIDE

4 DRAWER TOOL CABINET

Questions, problems, missing parts?
Before returning to the store, call
Husky Customer Service
8 a.m – 6 p.m., EST, Monday-Friday

1-888-HD-HUSKY

HUSKYTOOLS.COM



THANK YOU

We appreciate the trust and confidence you have placed in Husky through the purchase of this cabinet. We strive to continually create quality products designed to enhance your home. Visit us online to see our full line of products available for your home improvement needs. Thank you for choosing Husky!

Table of Contents

Table of Contents.....	2	Assembly	5
Safety Information	2	Maintenance.....	5
Warranty	3	Operation	6
Specifications	3	Care and Cleaning.....	6
Package Contents.....	3		
Hardware Included.....	3		

Safety Information

1. Do not pull this unit, push it when moving.
2. Use the brakes when this product is not being moved. This prevents the product from rolling.
3. Secure this product properly before moving it with a forklift.
4. Do not tow the product with power equipment.
5. Do not alter this product in any manner. For example, do not weld external lock bars or attach electrical equipment.
6. When locking a cabinet, close the drawers completely in order for the rear lock bars to work properly.



CAUTION: Keep the product on level surfaces. The product may become unstable and tip if stored or moved on an unlevel surface, which may cause personal injury or product damage.



CAUTION: Lock the drawers before moving this product. The drawers could come open and make the product unstable and tip, which may cause personal or product damage.



CAUTION: Do not attach or mount this product to a vehicle. This may cause personal injury or product damage. Mounting this product to any vehicle in any manner will void warranty.



CAUTION: Do not stand on this product. You may fall which may cause personal injury.



CAUTION: Be careful when opening more than one drawer. The product may become unstable and tip, which may cause personal injury or product damage.

Warranty

This product is guaranteed to be free of defects in materials and workmanship for 3 years from the date of purchase. If this product is defective, call 1-888-HD-Husky for repair or replacement parts or return the product to the store from which it was purchased. Guarantee does not include normal wear and tear.

Specifications

Maximum weight per (cabinet drawer)	50 lbs.
Casters support up to	1000 lbs.



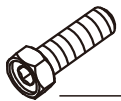
NOTE: Begin product assembly close to the final intended location of your cabinet. This product is heavy and may be difficult to move after assembly.

Package Contents

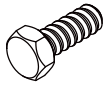
HARDWARE INCLUDED



NOTE: Hardware not shown to actual size.



AA



BB



CC



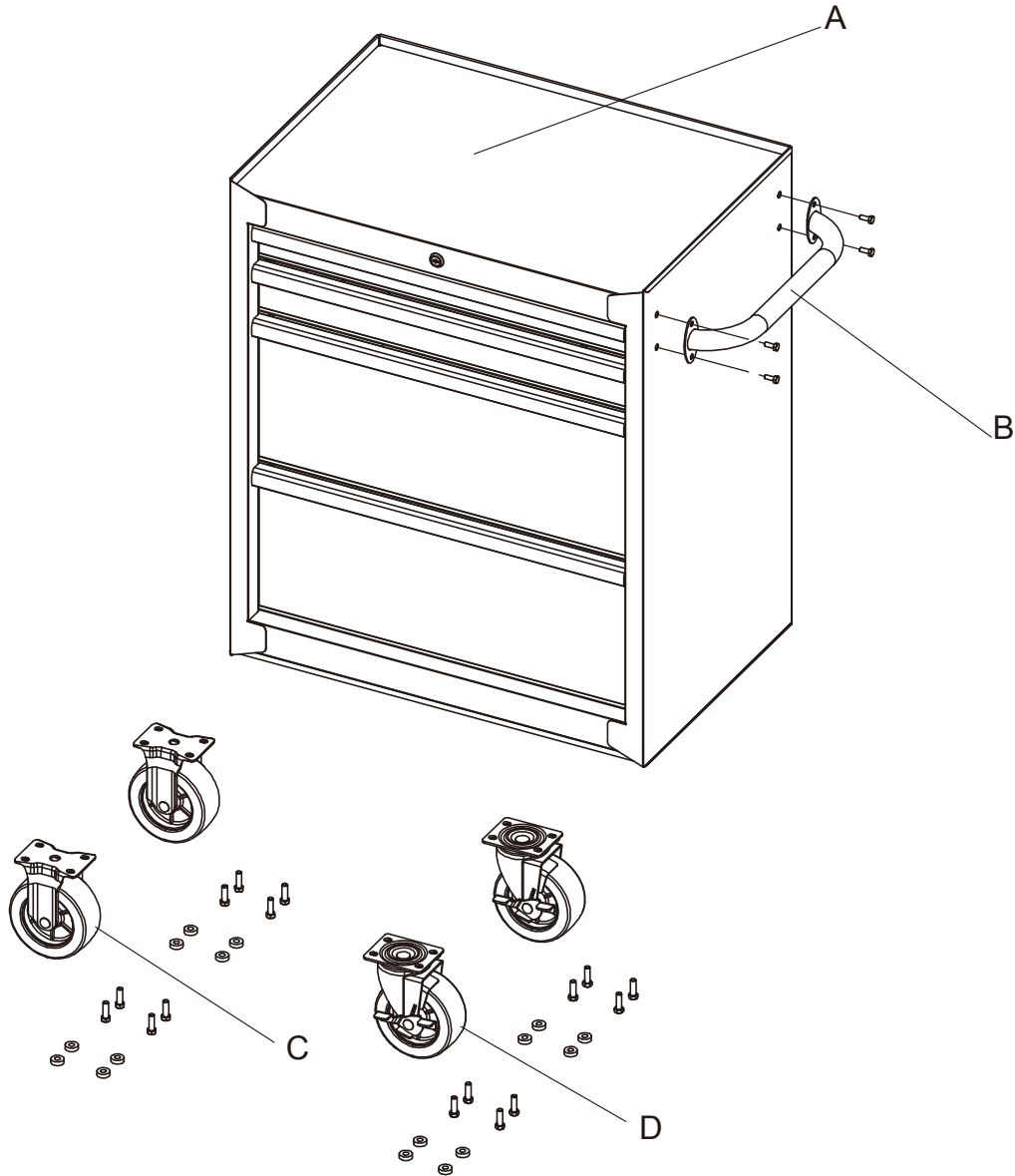
DD

Part	Description	Quantity
AA	M8 x 25 bolt	16
BB	M6 x 16 bolt	4
CC	Spacer	16
DD	Wrench	1

Package Contents (continued)



NOTE: The keys are taped to the top of the plastic bag.



Part	Description	Quantity
A	Cabinet	1
B	Cabinet handle	1
C	Fixed caster	2
D	Swivel caster	2

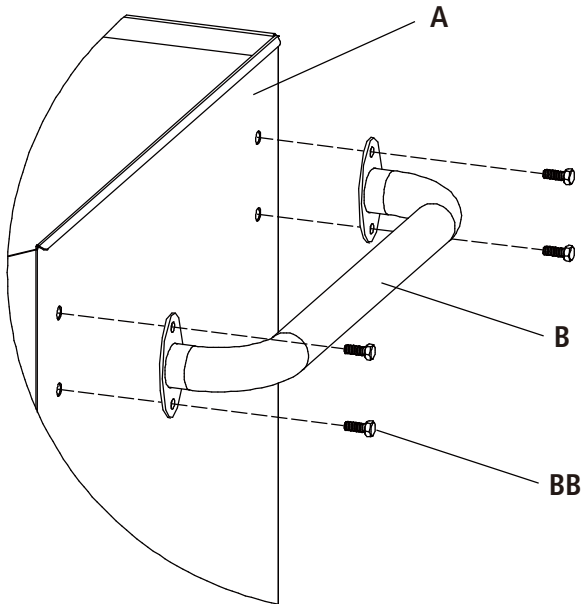
Assembly

1 Attaching the cabinet handle

- Position the cabinet handle (B) over the holes on the cabinet (A).
- Attach with the bolts (BB) and tighten with a wrench (DD).



NOTE: The holes in the cabinet are tapped and do not require nuts.

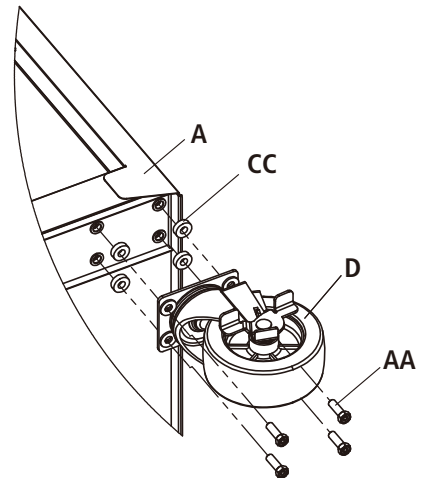


2 Attaching the casters

- Be sure the drawers are locked and lay the cabinet (A) on its top. Use packaging material to protect the finish.
- Attach the swivel casters (D) to the unit, on the same side as the handle, inserting bolts (AA) through the swivel casters (D) and spacers (CC) and into the cabinet (A).
- Tighten with a wrench (DD).
- Repeat this process for the fixed casters (C) on the opposite side of the cabinet (A).
- Return the cabinet (A) to its upright position.



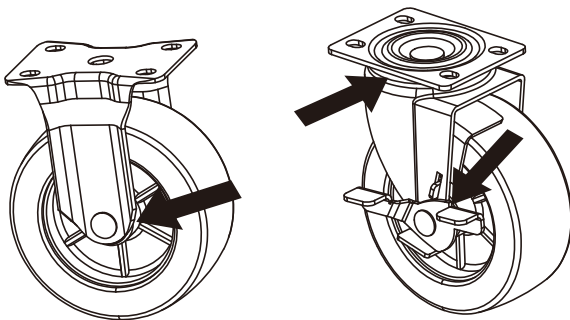
CAUTION: Do not over tighten the bolts.



Maintenance

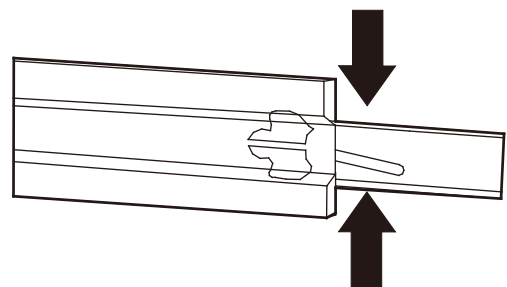
1 Caster maintenance

- Grease the casters annually using high-quality bearing grease.



2 Drawer maintenance

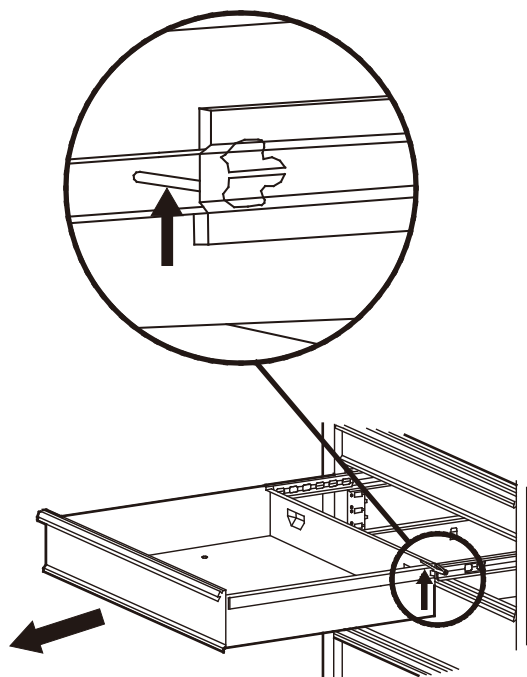
- Lubricate the slides semi-annually.



Operation

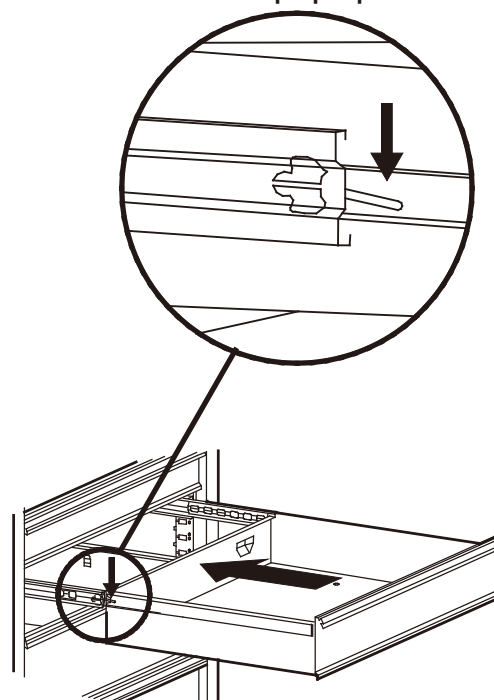
1 Removing the drawers

- Fully extend the empty drawer.
- Push up the one black release lever while pulling down on the other black release lever.
- Pull the drawer outward until it is released from the drawer slide.



2 Re-inserting the drawers

- Extend the drawer slides.
- Insert the brackets on each side of the drawer into the slots in the slides, being careful that they are properly positioned.
- Once properly inserted, completely close the drawer to set the slides in their proper positions.



Care and Cleaning

- Periodically clean the drawer fronts, drawer trim, and other surfaces with a mild detergent and water.
- Auto wax preserves the storage unit's luster finish and protects against scratches. Apply the wax as you would on a car.
- Remove grease and oil with a standard nonflammable cleaning fluid.



Questions, problems, missing parts? Before returning to the store call
Husky Customer Service
8 a.m. - 6 p.m., EST, Monday-Friday

1-888-HD-HUSKY

HUSKYTOOLS.COM

Retain this manual for future use.