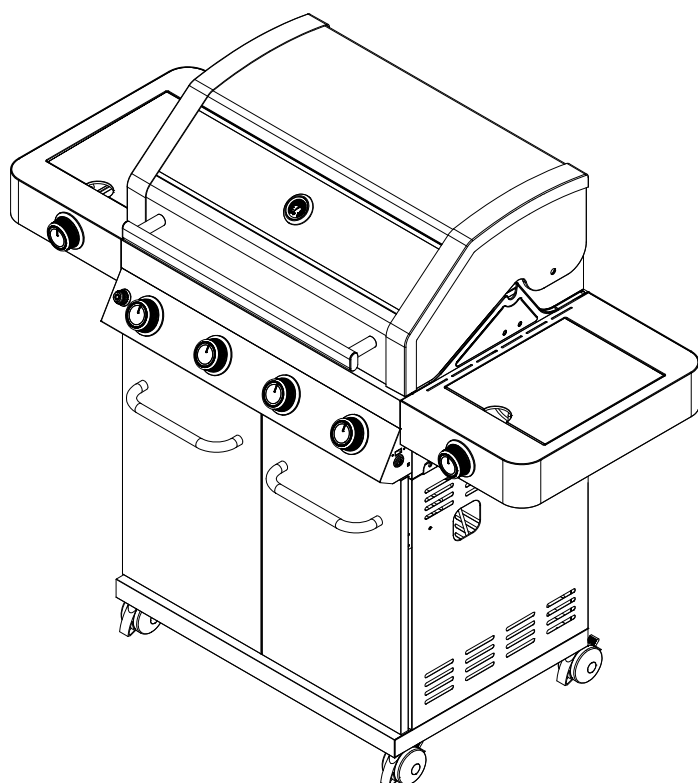


# ASSEMBLY & OPERATING INSTRUCTIONS



## Liquid Propane Gas Grill



- **Parts**
- **Assembly**
- **Safety Rules**
- **Use and Care**
- **Troubleshooting**



### **WARNING:**

Read this Owner's manual carefully and be sure your gas grill is properly assembled, installed and maintained. Failure to follow these instructions could result in serious injury and/or property damage. This gas grill is intended for outdoor use only and is not intended to be installed in or on recreational vehicles or boats.

### **Note to Installer**

Leave this Owner's Manual with the customer after delivery and/or installation.

### **Note to Consumer**

Leave this Owner's Manual in a convenient place for future reference.

### **Customer Service Helpline:**

For parts ordering, call:  
1-800-530-9133

MFG No.: 35633G

UPC No.:856597007843

Please make sure the cylinder valve connection device shall properly and safely mate with the connection device attached to the inlet of the pressure regulator.

## Table of Contents

Warranty-----	2
Safety Precautions-----	2~4
Hardware List-----	5
Parts Diagram -----	6
Parts List-----	7
Assembly Instructions-----	8~18
Lighting Instructions-----	18~20
Cleaning and Maintenance-----	21~22
Troubleshooting-----	22
Cooking Instruction-----	23
Cooking Chart-----	24

## Grill Warranty

### One-Year Full Warranty on Grill

If this grill fails due to defective material or workmanship within one year from the date of purchase, call 1-800-530-9133 to arrange for a free repair (or replacement if repair proves impossible).

### 8-Year Limited Warranty on Stainless Steel Burners

For eight years from the date of purchase, any stainless steel burner that rusts through will be replaced free of charge. After the first year from the date of purchase, you pay for labor if you wish to have it installed.

All warranty coverage excludes ignitor batteries and grill part paint loss, discoloration or rusting, which are either expendable parts that can wear out from normal use within the warranty period, or are conditions that can be the result of normal use, accident or improper maintenance,

All warranty coverage is void if this grill is ever used for commercial or rental purposes.

All warranty coverage applies only if this grill is used in the North America.

This warranty gives you specific legal rights, and you may have other right which vary from state to state.

The warranty is only valid for original purchasers with proof of purchase from authorized retailers. Any product bought second hand or through an unauthorized retailer, will not be covered by warranty. It is the duty of the purchaser to verify that a retailer is authorized. A purchase on Amazon or other marketplace internet retailer from any entity other than Monument Grills is not an original purchase and will not qualify for a warranty

## Safety Precautions

### **WARNING**

Combustion by products produced when using this product contain chemicals known to the State of California to cause cancer, birth defects, or other reproductive harm.

### **WARNING**

Failure to comply with these instructions could result in a fire or explosion that could cause serious bodily injury, death, or property damage.

### **WARNING**

**Your grill will get very hot.** Never lean over the cooking area while using your grill. Do not touch cooking surfaces, grill housing, lid or any other grill parts while the grill is in operation, or until the gas grill has cooled down after use.

**Failure to comply with these instructions may result in serious bodily injury.**

### **WARNING**

- 1. Do not store or use gasoline or other flammable liquids or vapors in the vicinity of this or any other appliance.**
- 2. An LP cylinder not connected for use shall not be stored in the vicinity of this or any other appliance.**

### **DANGER**

**If you smell gas:**

- 1. Shut off gas to the appliance.**
- 2. Extinguish any open flame.**
- 3. Open lid.**
- 4. If odor continues, keep away from the appliance and immediately call your gas supplier or your fire department.**

### Grill Installation Codes

The installation must conform with local codes or, in the absence of local codes, with either the national fuel gas code, ANSI Z 223.1/NFPA S4, Natural gas and propane installation code, CSA B149.1, or propane storage and handling code, B149.2, or the standard for Recreational vehicles, ANSI A 119.2, and CSA Z240 RV series recreational vehicle code, as applicable. LP gas grill models are designed for use with a standard 20 lb. Liquid Propane Gas tank, not included with grill. Never connect your gas grill to an LP gas tank that exceeds this capacity.



## Safety Precautions

A tank of approximately 12 inches in diameter by 18-1/2 inches high is the maximum size LP gas tank to use. **You must use an OPD gas tank which offers an Overfill Prevention Device.**

This safety feature prevents the tank from being overfilled which can cause malfunction of the LP gas tank, regulator and/or grill.

The LP gas tank must be constructed and marked in accordance with specifications of the U.S. Dept. of Transportation (DOT). In Canada, the LP gas tank must meet the National Standard of Canada, Can CSA –B339, Cylinders, spheres and Tubes for Transportation of Dangerous Goods and Commission.

1. The LP gas tank must have a shutoff valve, terminating in an LP gas supply tank valve outlet, that is compatible with a Type 1 tank connection device. The LP gas tank must also have a safety relief device that has a direct connection with the vapor space of the tank.
2. Always keep LP gas tanks in an upright position. The tank supply system must be arranged for vapor withdraw.
3. The LP gas tank used must have a collar to protect the tank valve.

### Proper Placement and Clearance of Grill

**Never** use your gas grill in a garage, porch, shed, breezeway or any other enclosed area. Your gas grill is to be used **outdoors only**, at least 24 inches from the back and side of any combustible surface. Your gas grill should not be used under overhead combustible construction. Do not obstruct the flow of ventilation air around the gas grill housing.

- Do not install this outdoor gas grill in or on recreational vehicles or boats
- Keep outdoor gas grill area clear and free from combustible materials, gasoline and other flammable vapors and liquids
- Do not obstruct the flow of combustion and ventilation air. Check for this each time prior to using grill.
- **Never** connect an unregulated LP gas tank to your gas grill. The gas regulator assembly supplied with your gas grill is adjusted to have an outlet pressure of 11" water column (W.C.) for connection to an LP gas tank.
- Only use the regulator and the hose assembly supplied with your gas grill. Replacement regulators and hose assemblies must be those specified in this manual.

- Have your LP gas tank filled by a reputable propane gas dealer and visually inspected and re-qualified at each filling.
- Do not store a spare LP gas tank under or
- Never fill the tank beyond 80 percent full. If this information is not followed exactly a fire causing death or serious injury may occur.
- Always keep LP gas tanks in an upright position.
- Do not store (or) or use gasoline or other flammable vapors and liquids in the vicinity of this gas grill.
- Do not subject the LP gas tank to excessive heat.
- Never store an LP gas tank indoors. If you store your gas grill in the garage or other indoor location, **always** disconnect the LP gas tank first and store it safely outside.



- Place dust cap on cylinder valve outlet whenever the cylinder is not in use. Only install the type of dust cap on the cylinder valve outlet that is provided with the cylinder valve. Other types of caps or plugs may result in leakage of propane.
- LP gas tanks must be stored outdoors in a well-ventilated area and out of reach of children. Disconnected LP gas tanks must not be stored in a building, garage or any other enclosed area.
- When your gas grill is not in use the gas must be turned off at the LP gas tank.
- The pressure regulator and hose assembly must be inspected before each use of the grill. If there is excessive abrasion or wear or if the hose is cut, it must be replaced prior to the grill being used again.
- Keep the gas regulator hose away from hot grill surfaces and dripping grease. Avoid unnecessary twisting of hose. Visually inspect the hose prior to each use for cuts, cracks, excessive wear or other damage. If the hose appears damaged do not use the gas grill.
- **Never** light your gas grill with the lid closed or before checking to ensure the burner tubes are fully seated over the gas valve orifices.
- **Never** allow children to operate your grill.

**⚠ WARNING**

A strong gas smell, or the hissing sound of gas indicates a serious problem with your gas grill or the LP gas tank. Failure to immediately follow the steps listed below could result in a fire or explosion that could cause serious bodily injury, death, or property damage.

- Shut off gas supply to the gas grill.
- Turn the control knobs to OFF position.
- Put out any flame with a proper fire extinguisher.
- Open Grill Lid.
- Get away from the LP gas tank.
- Do not try to fix the problem yourself.
- If odor continues or you have a fire you can not extinguish, call your fire department. Do not call near the LP gas tank because your telephone is a form of electrical device and could create a spark resulting in fire and/or explosion.

**NOTE:** The normal flow of gas through the regulator and hose assembly can create a humming noise. A low volume of noise is perfectly normal and will not interfere with operation of the grill. If humming noise is loud and excessive you may need to purge air from the gas line or reset the regulator excess gas flow device. This purging procedure should be done every time a new LP gas tank is connected to your grill. For help with this procedure refer to page 20, Item 4 of "If Grill Still Fails To Light".

**CAUTION: Beware of Flash-Back**

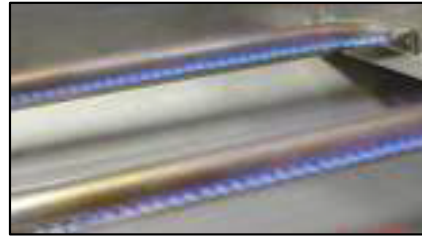
**CAUTION:** Spiders and small insects occasionally spin webs or make nests in the grill burner tubes during transit and warehousing. These webs can lead to gas flow obstruction which could result in a fire in and around burner tubes. This type of fire is known as "FLASH-BACK" and can cause serious damage to your grill and create an unsafe operating condition for the user.

Although an obstructed burner tube is not the only cause of "FLASH-BACK", it is the most common cause.

To reduce the chance of "FLASH-BACK", you must clean the burner tubes before assembling your grill, and at least once a month in late summer or early fall when spiders are most active. Also perform this burner tube cleaning procedure if your grill has not been used for an extended period of time.

See Cleaning Burner Tubes and Burner Ports on page # 21

**Burner Flame Check**



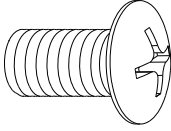
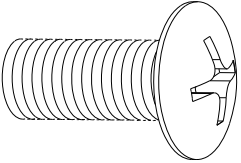
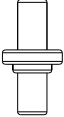

Visually check the burner flames prior to each use. The flames should look like picture, if they do not, refer to the Cleaning Burner Tubes and Burner Ports , see page 21 of this manual.

**⚠ WARNING**

Pls ensure cleaning the flame tamer/cooking grid/grease pan/tray after each use. Failure to comply this could result in a fire or explosion that could cause serious bodily injury, death, or property damage.

## Contents for Hardware Pack

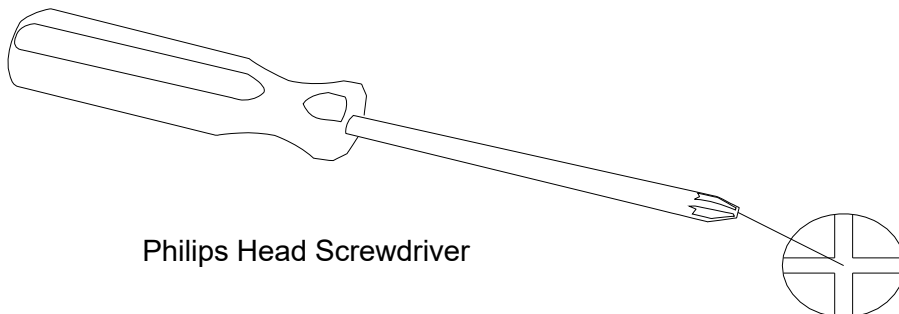
The following table illustrates a breakdown of the hardware pack. It highlights what components are used in the various stages of assembly.

A		5/32"x12mm	11 pcs
B		1/4"x15mm	13 pcs
C			2 pcs
D		1/4"	4 pcs

## Tools required for assembly

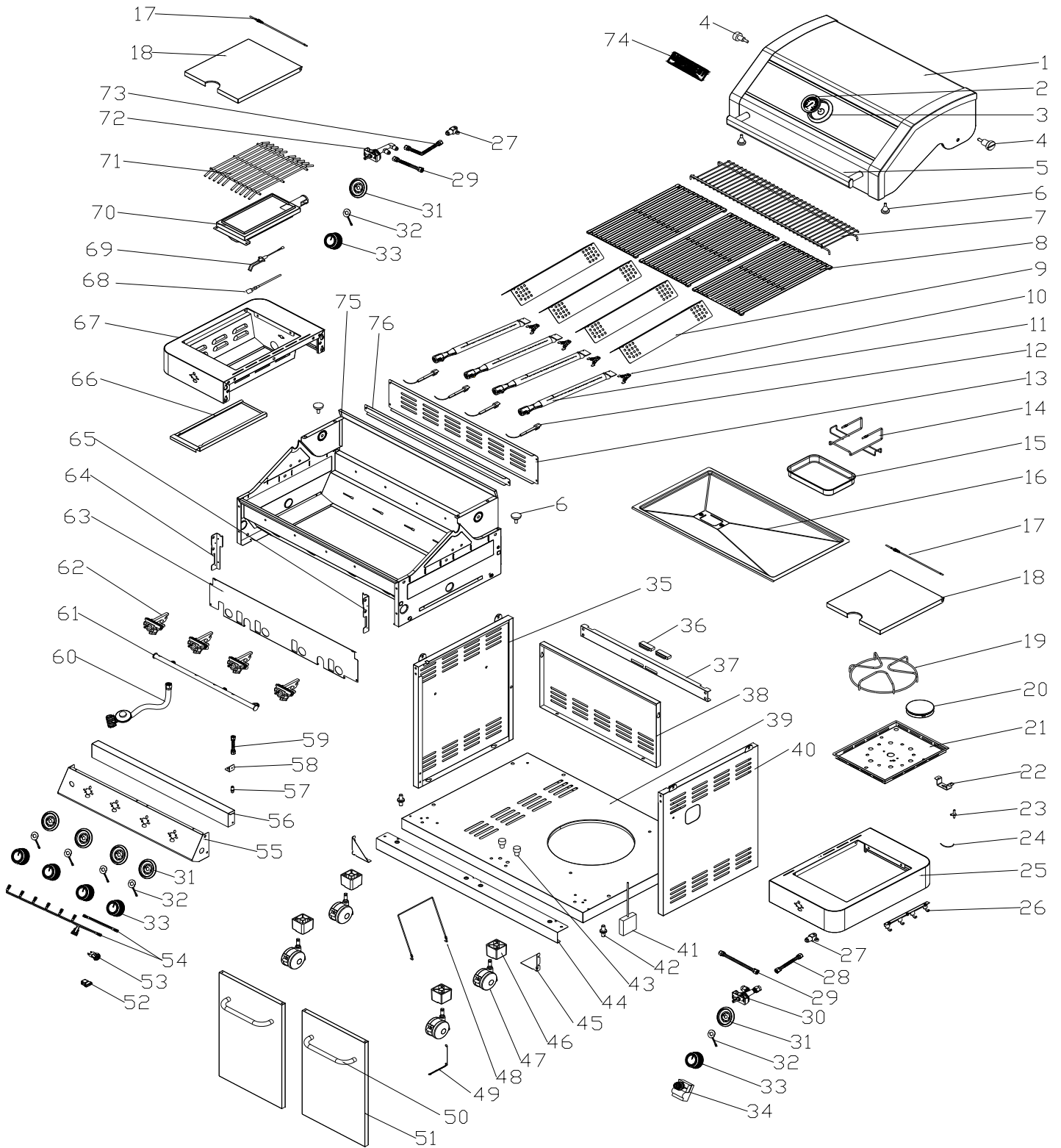
Philips Head Screwdriver (not included).

Note: The left and right sides of the grill are on your left and right as you face the front of the grill.



Philips Head Screwdriver

# Model 35633G Parts Diagram



## Model 35633G Parts List

seq. NO.	appellation	qty	Material code	seq. NO.	appellation	qty	Material code
1	Main Lid	1	D010012906	40	Side Panel, Right	1	D010012903
2	Temperature Gauge	1	A0212824	41	Battery Box	1	A0212663
3	Temperature Gauge Seat	1	A0212967	42	Spindle Below Door Panel	2	A0212557
4	Main Lid Screw	2	A0407131	43	Spacing Screw Below Door Panel	2	A02120079
5	Main Lid Handle	1	D010010251	44	Cart Bottom Panel Front Cumberbund Strip	1	D010012063
6	Hood Buffer	4	A0212666	45	Triangle Bracket, Left	2	D010012745
7	Warming Rack	1	A0212856	46	Swivel Caster Fixing Plug	4	A0212805
8	Cooking Grid With Hole	3	A0212804	47	Swivel Caster	4	A0211004
9	Flame Tamer	4	D010012307	48	Gas-jar Fixing Line	1	A0212837
10	Clamp Spring	4	A0212873	49	Lighting Rod	1	A02121323
11	Main Burner	4	A0212926	50	Door Handle	2	D010012747
12	Main Burner Igniter Wire	4	D010012900	51	Front Door	2	D010012094
13	Back Panel, Top	1	D010012737	52	LED Lamp Seat-USB2.0	1	A02120032
14	Grease Box Bracket	1	A0212838	53	LED Lamp Switch	1	A0212627
15	Grease Box	1	D010012705	54	LED Lamp Circuit	1	D010013687
16	Grease Tray	1	D010021002	55	Main Control Panel	1	D010014390
17	Side Burner Lid Hinge Rod	2	A0212534	56	Main Control Panel Frame	1	D010012108
18	Side Burner Lid	2	D010007598	57	Gas Connector	1	A0212830
19	Side Burner Cooking Grid, Right	1	A0212248	58	Gas Connector Fixing Panel	1	D010012298
20	Side Burner, Right	1	A0212533	59	Main Burner Flex Gas Line	1	A0212829
21	Side Burner Tray	1	D011006420	60	Regulator, LP	1	A0212831
22	Side Burner Orifice Bracket	1	D019706920	61	Main Manifold	1	A02120086
23	Side Burner Igniter, Right	1	A0212436	62	Main Gas Valve	4	A0212862
24	Side Burner Igniter Wire, Right	1	A0212869	63	Front Baffle	1	D010012052
25	Side Shelf, Right	1	D010014389	64	Control Panel Fixing Panel, Left	1	D010012050
26	Hook	1	D010018023	65	Control Panel Fixing Panel, Right	1	D010012051
27	Side Burner Orifice	2	A0212828	66	Side Burner Grease Box	1	D010012440
28	Side Burner Flex Gas Line, 250	1	A020021	67	Side Shelf, Left	1	D010013689
29	Side Burner Flex Gas Line, 480	2	A02120090	68	Side Burner Igniter Wire, Left	1	A0212870
30	Side Burner Gas Valve, Right	1	A02120088	69	Side Burner Igniter, Left	1	A0212871
31	Control Knob Base	6	D010012905	70	Side Burner, Left	1	A0212872
32	LED Lamp Panel	6	A02120213	71	Side Burner Cooking Grid, Left	1	A0212875
33	Control Knob	6	A02120817	72	Side Burner Gas Valve, Left	1	A02120089
34	Pulse Igniter Module	1	A0212864	73	Side Burner Flex Gas Line, 650	1	A0201169
35	Side Panel, Left	1	D010012742	74	Logo	1	A0212808
36	Door Magnet	2	A0201249	75	Firebox	1	D010012655
37	Cart Frame, Front	1	D010012721	76	Back Panel, A	1	D010015501
38	Back Panel, Bottom	1	D010012748		Manual	1	C042179
39	Bottom Panel	1	D010012098		Hardware Pack	1	D010012753

For assembly questions, call:  
1-800-530-9133

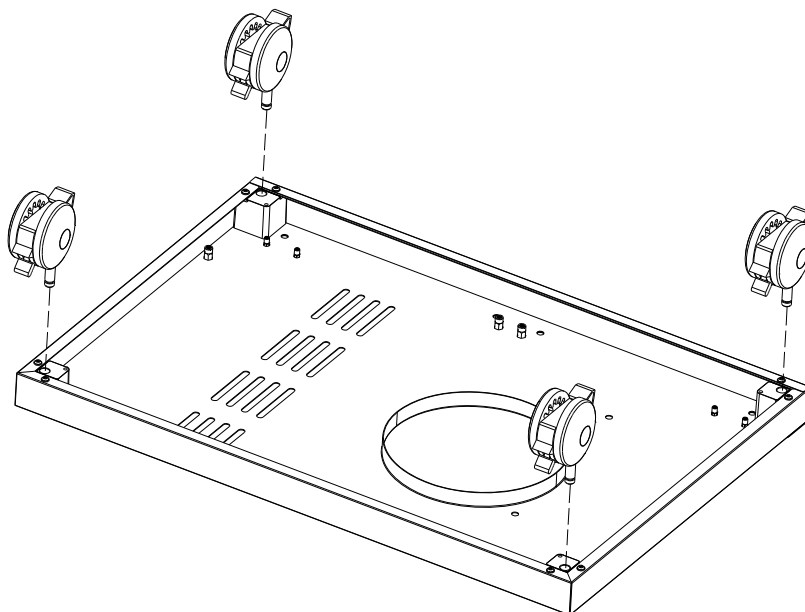
To make sure you obtain the correct replacement parts for your gas grill, please refer to the part numbers on this page.

**Important:** Keep this Owner's Manual for convenient reference and for part replacement.

Important: Use only parts listed above. When ordering parts, providing the following information:

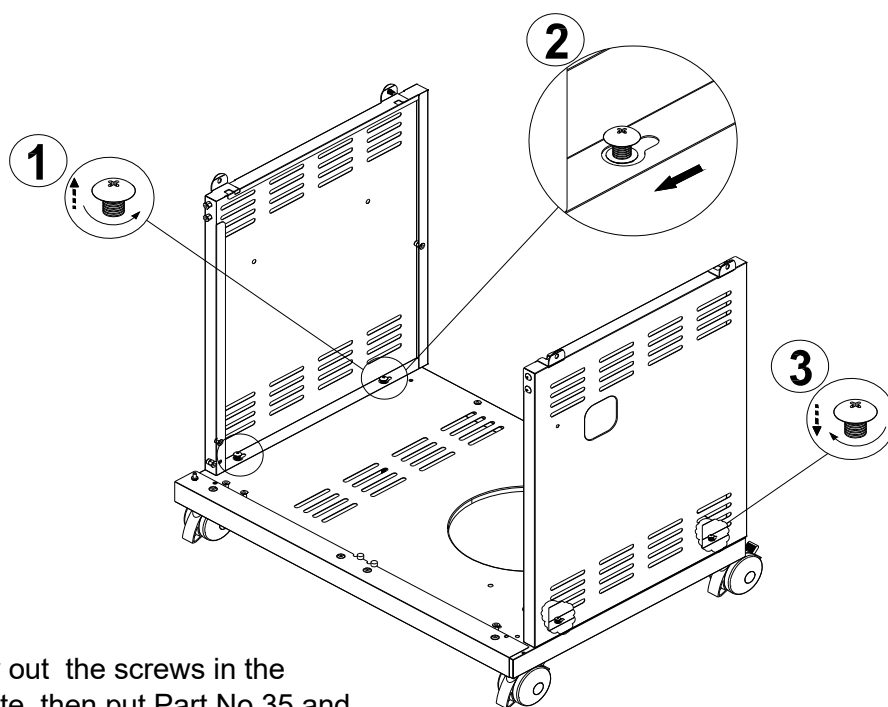
1. Model #
2. Part Number (see PART# in chart)
3. Part Description
4. Quantity of parts needed

## Assembly Instructions



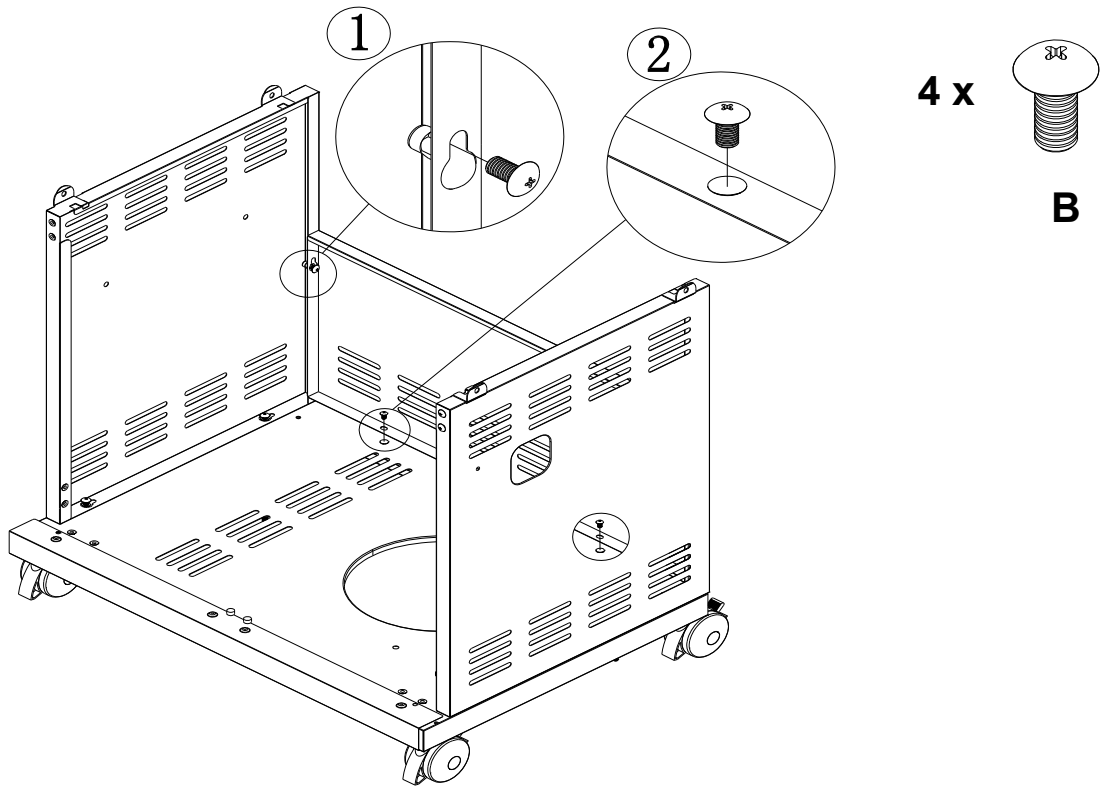
Please insert Part No.47 into the bottom plate.

**Figure 1**



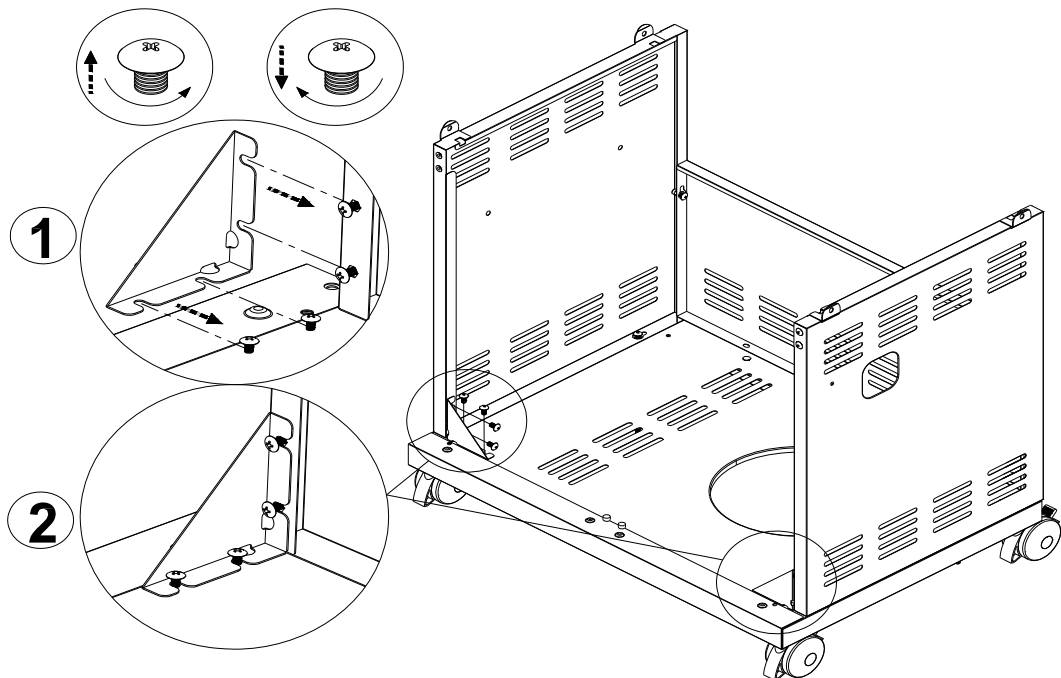
Half screw out the screws in the bottom plate, then put Part No.35 and Part No.40 onto the relevant screw holes and screw tightly.

**Figure 2**



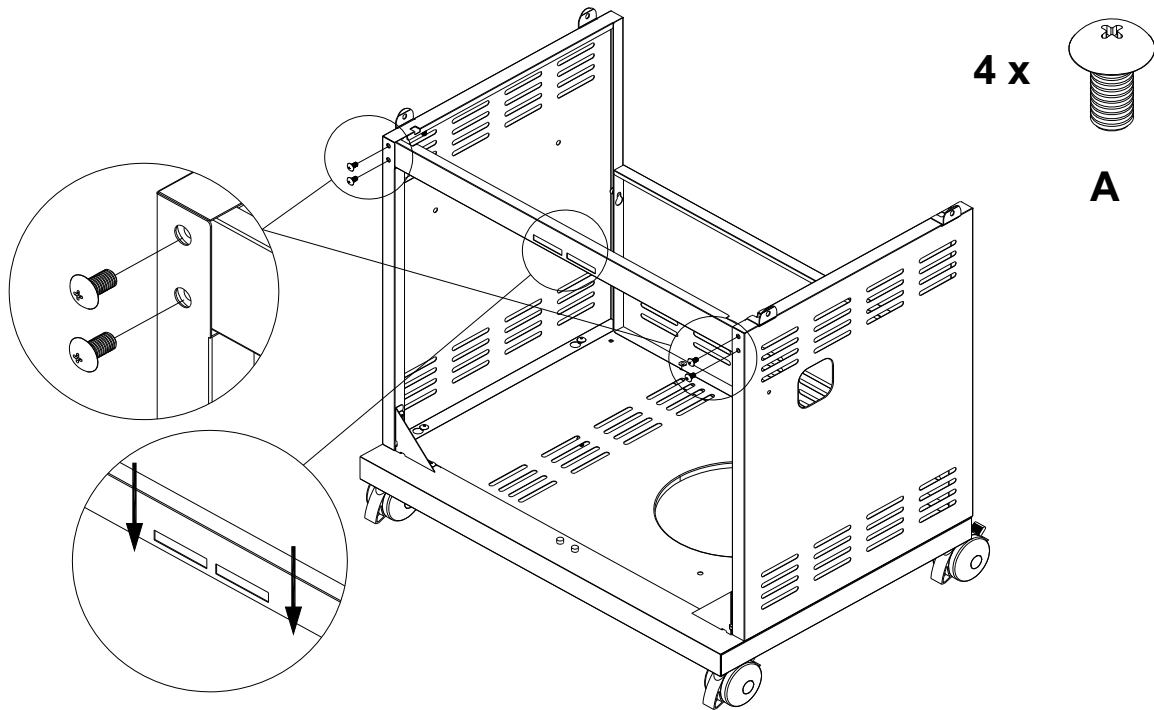
Install Part No.38 onto the relevant place with four B screws.

**Figure 3**



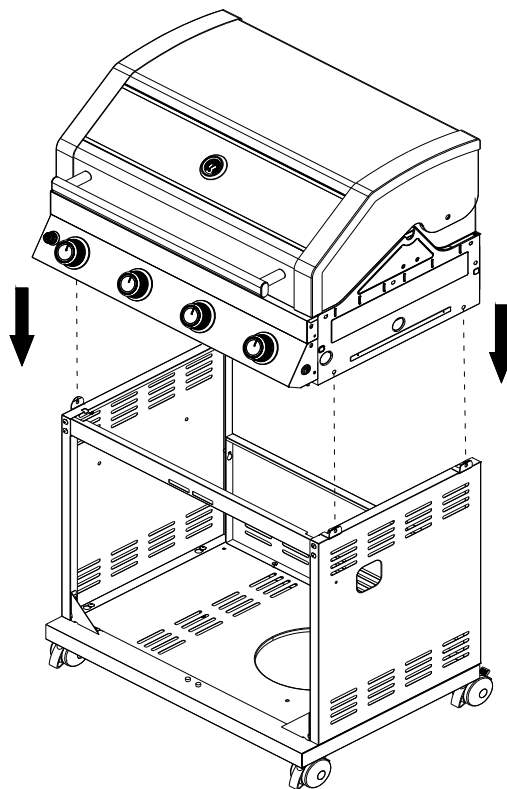
Half screw out the screws in the bottom and side plates, then put Part No.45 onto the relevant screw holes and screw tightly.

**Figure 4**



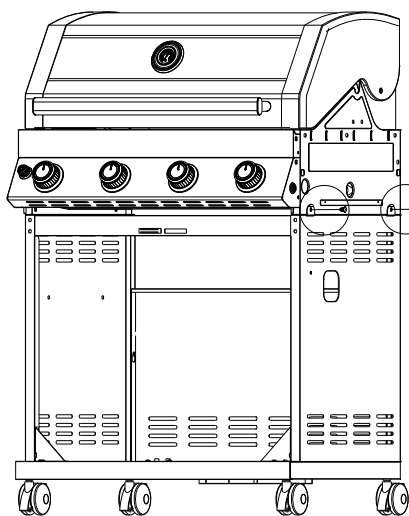
Install Part No.37 onto the relevant place with four A screws shown in Figure 5.  
Attention: magnet downward.

**Figure 5**



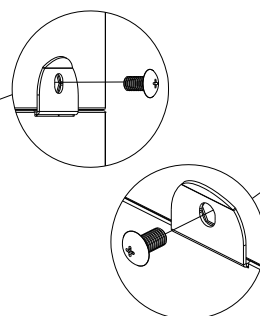
**Figure 6**



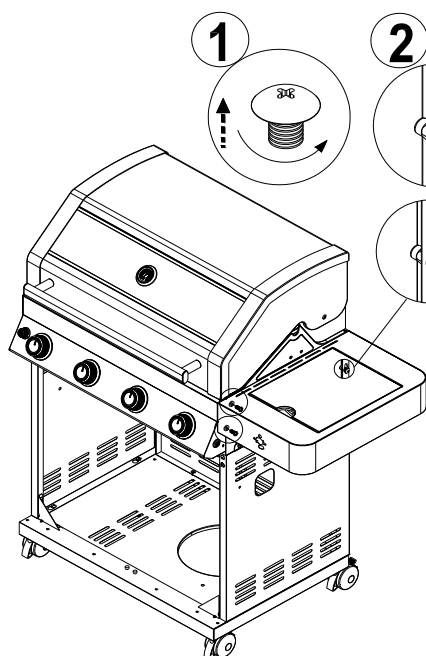


Screw the grill body and the cart tightly with four B screws. (Figure 7.1)

**Figure 7.1**

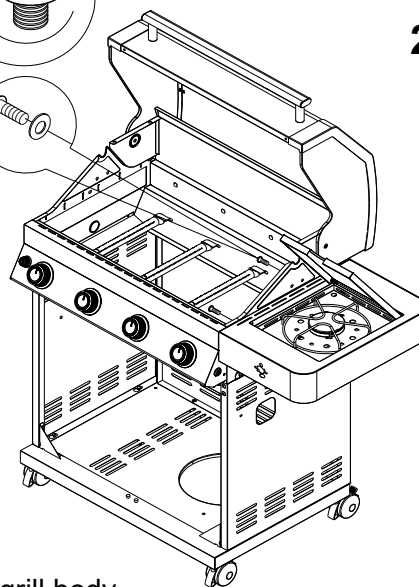


**Figure 7.2**

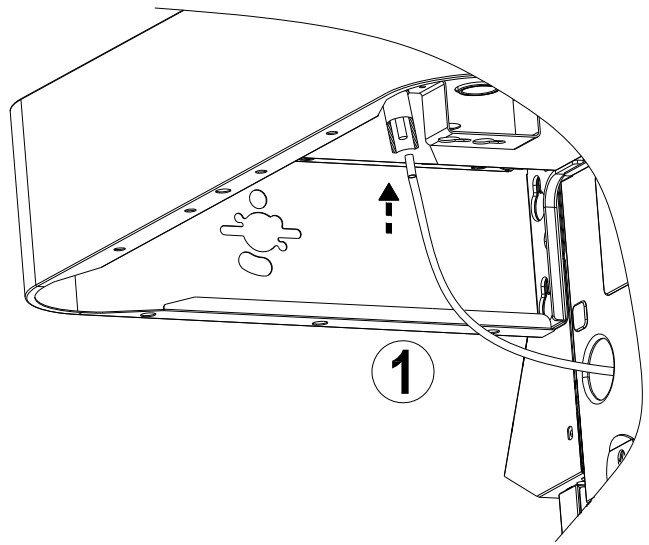
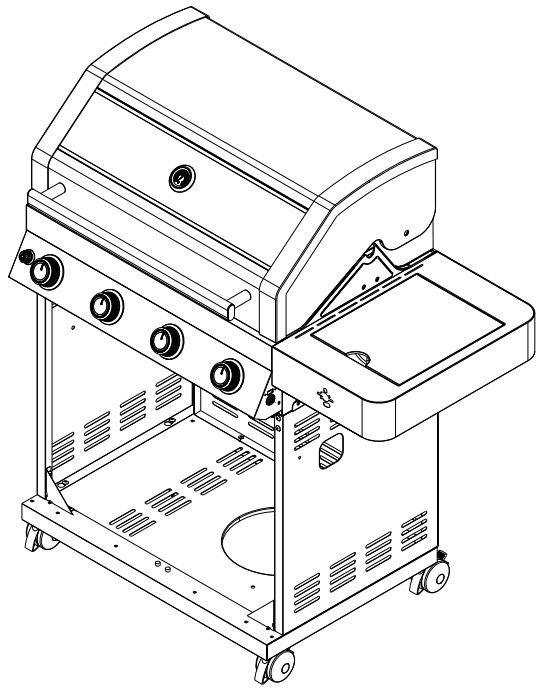


1. Half screw out the three big screws outside the grill body, then put Part No.25 onto the relevant screw holes and screw tightly.  
 2. Screw Part No.25 tightly with B screw and D spacer inside the grill body.

**Figure 8.1**

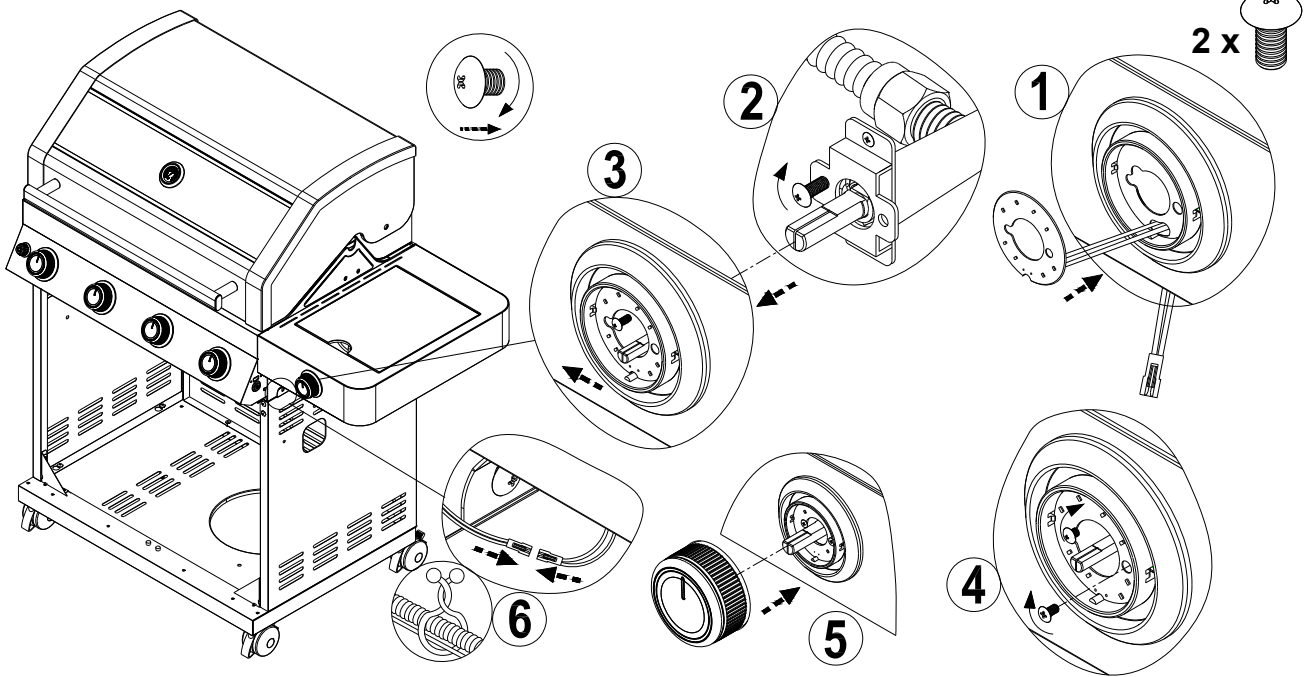


**Figure 8.2**



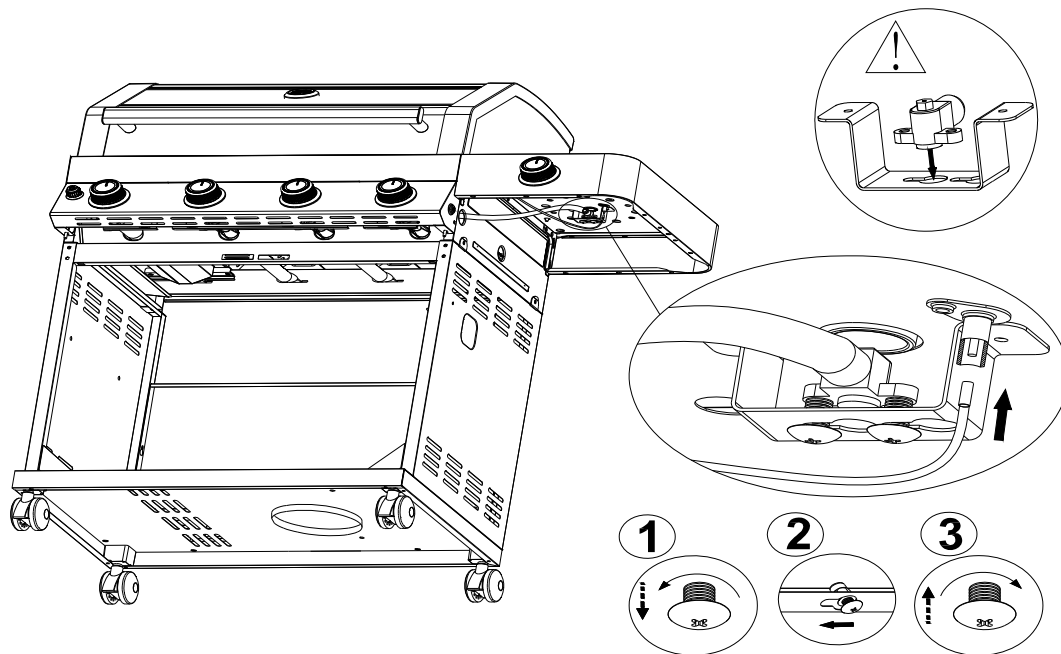
1. Insert the wire of Part No.23.

Figure 9



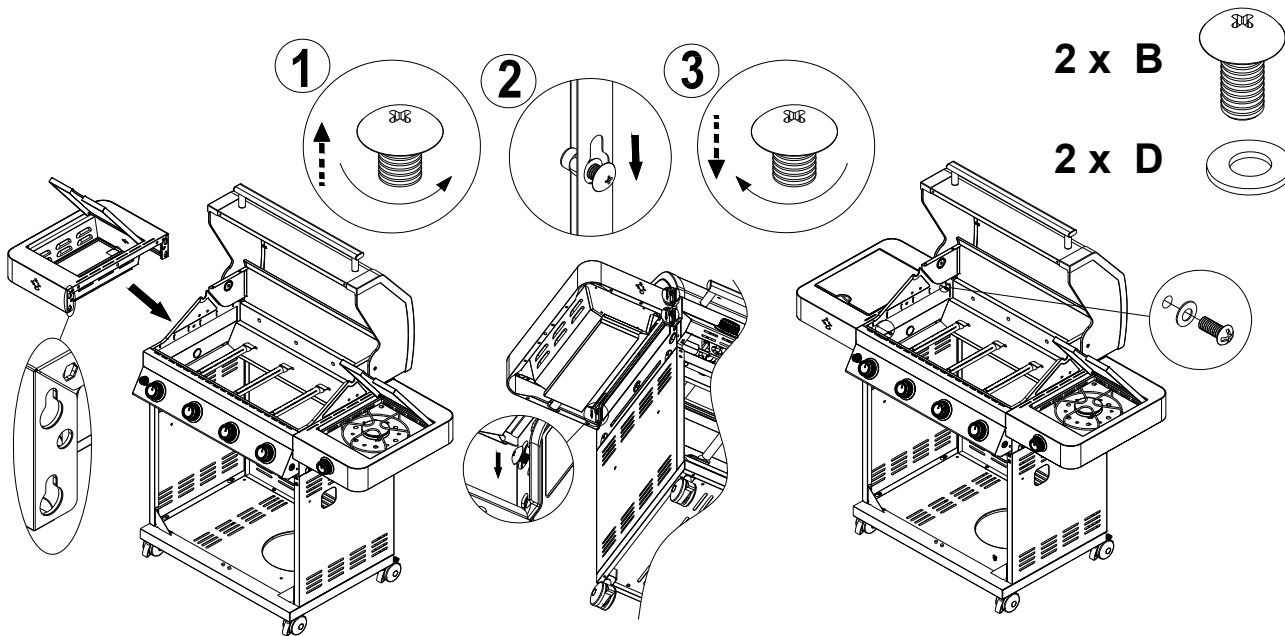
1. Insert Part No.30, Part No.32 and Part No.33 as the figure shows.  
2. Insert the wire as the figure shows.

Figure 10



1. Half screw out the screw in Part No.27, then put it into the hole of Part No.22 and screw tightly.

Figure 11

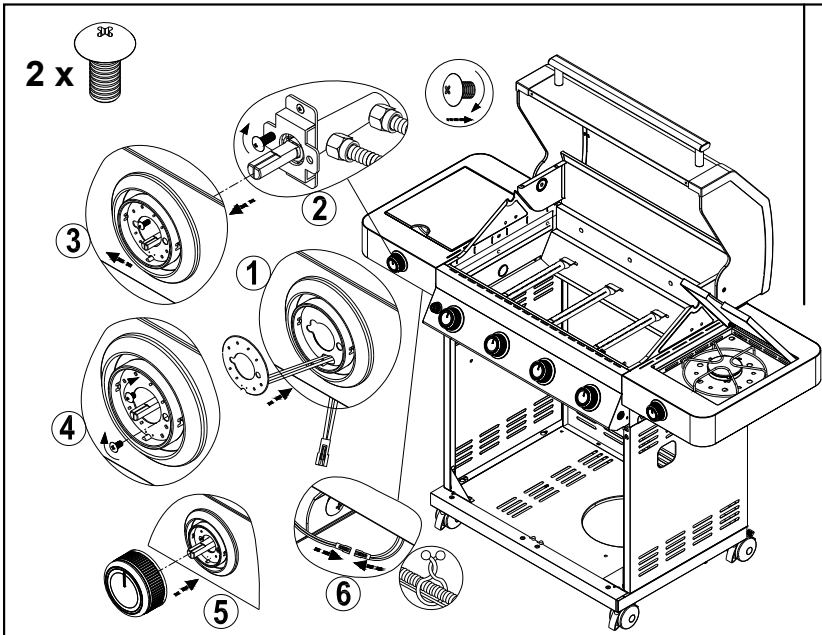


1. Half screw out the three big screws on the grill body, then put Part No.67 onto the relevant screw holes and screw tightly.  
 2. Screw Part No.67 tightly with B screw and D spacer inside the grill body.

Figure 12.1

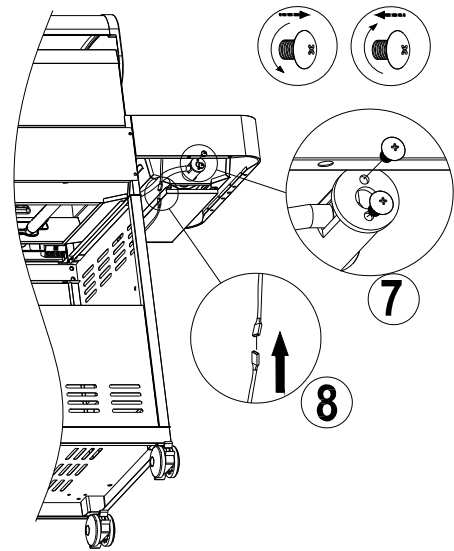
Figure 12.2

Figure 12.3

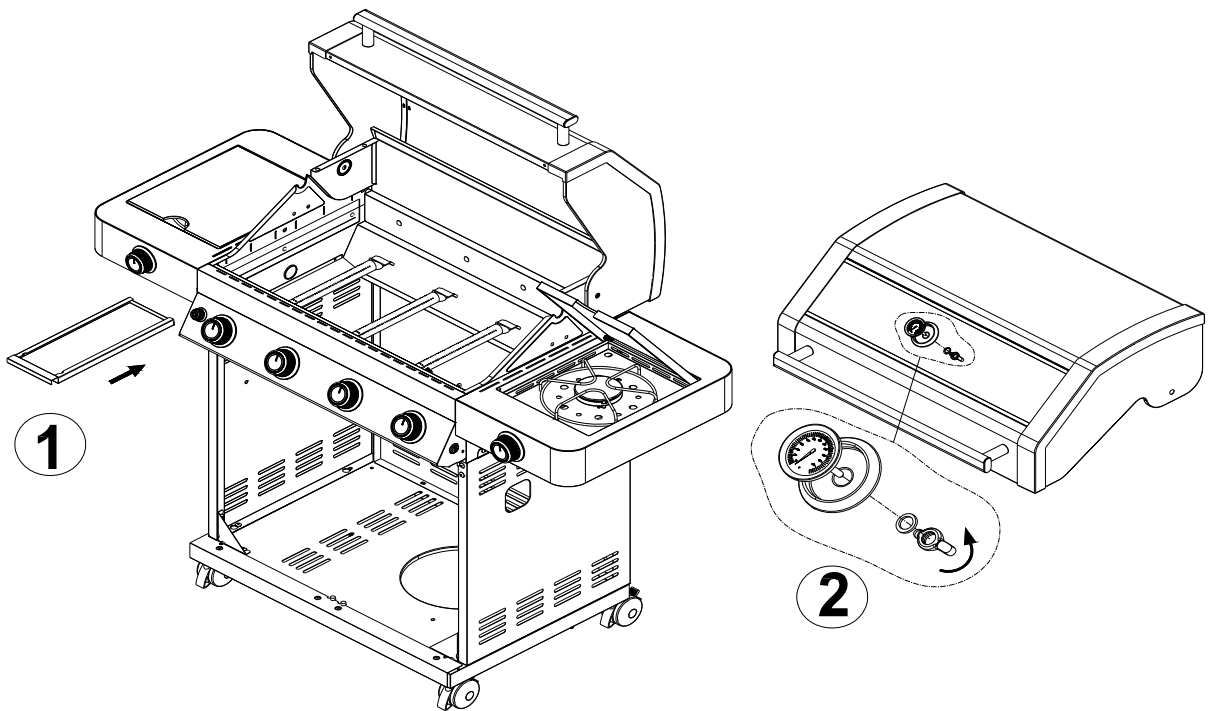


1. Insert Part No.72, Part No.32 and Part No.33 as the figure shows. (Figure 13.1)
2. Insert Part No.27 as the figure shows. (Figure 13.2)
3. Insert the wire as the figure shows. (Figure 13.1/Figure 13.2)

**Figure 13.1**

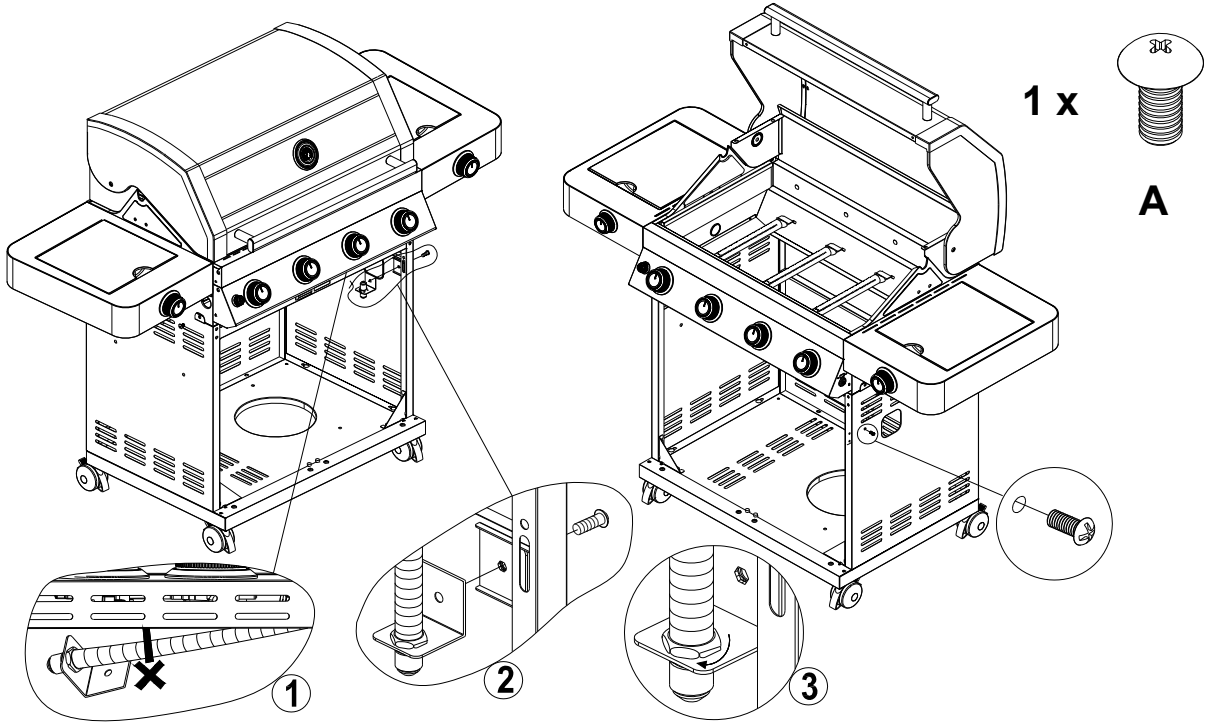


**Figure 13.2**



1. Put Part NO. 66 under the sear side burner.
2. Put Part No.2, Part No.3 onto the Main Lid.

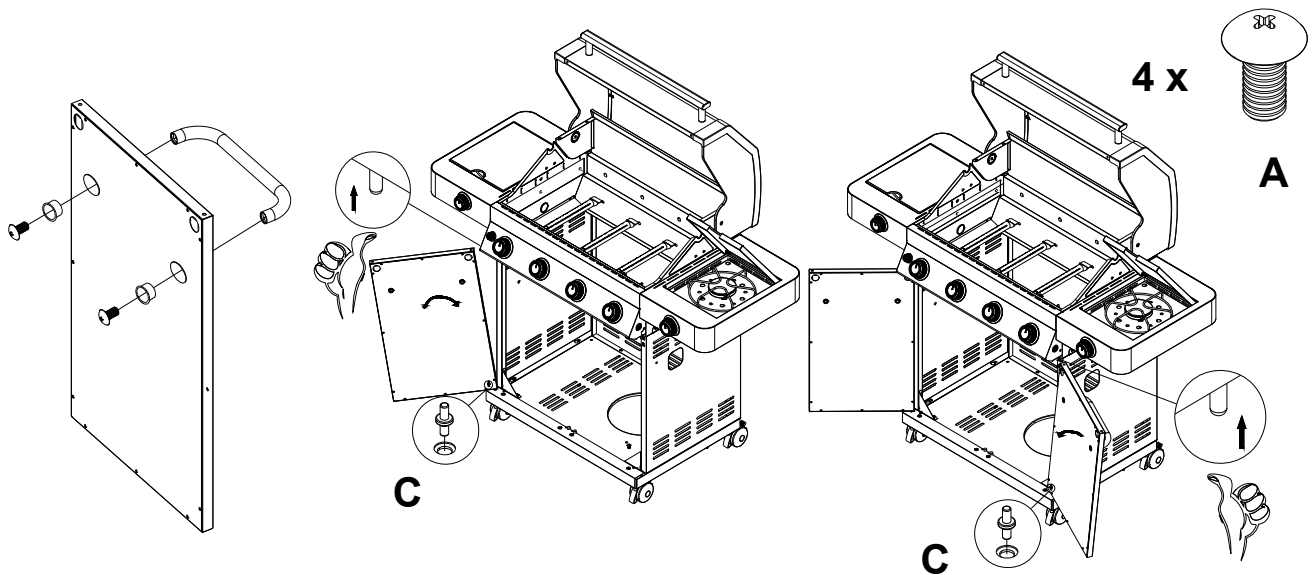
**Figure 14**



Fixed Part No.58 onto the right plate with one A screw.

**Figure 15.1**

**Figure 15.2**

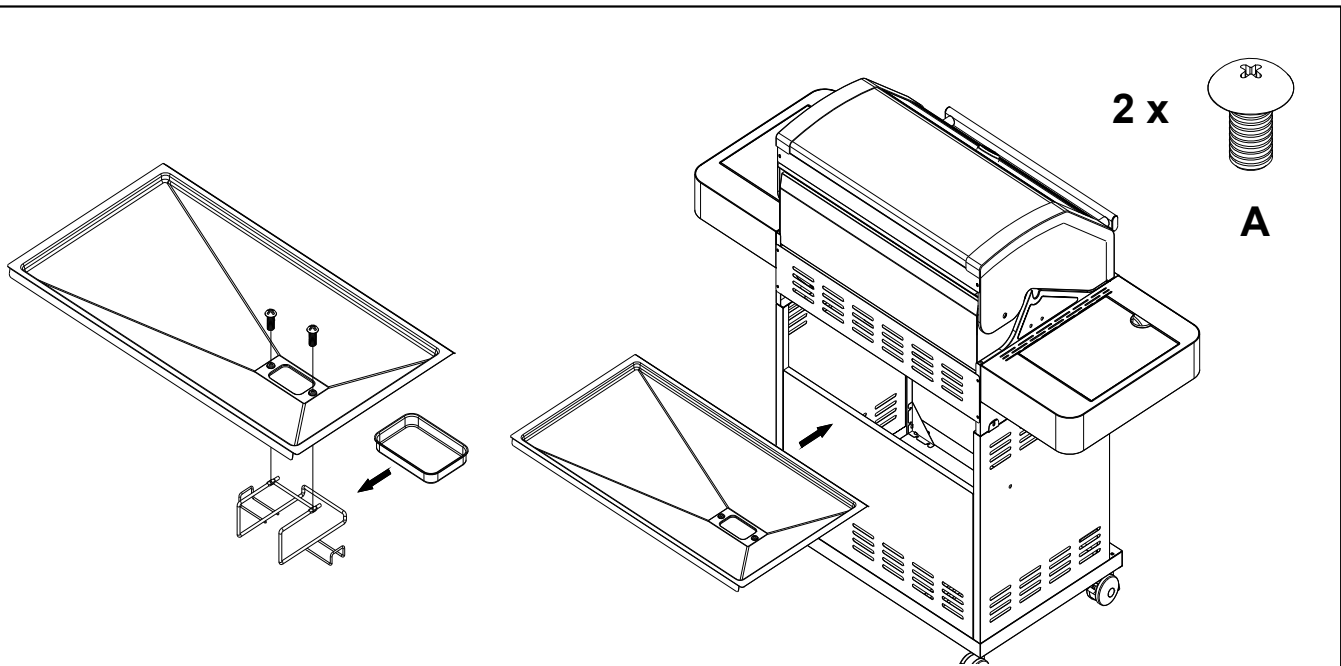


1. Install Part No. 50 onto Part No.51 with A screws. (Figure 16.1)
2. Put the C part into the relevant hole in the bottom plate. (Figure 16.2)
3. Put Part No.51 into the C part. (Figure 16.2)
4. Then put the door into by pressing the flexible axis upward.

**Figure 16.1**

**Figure 16.2**

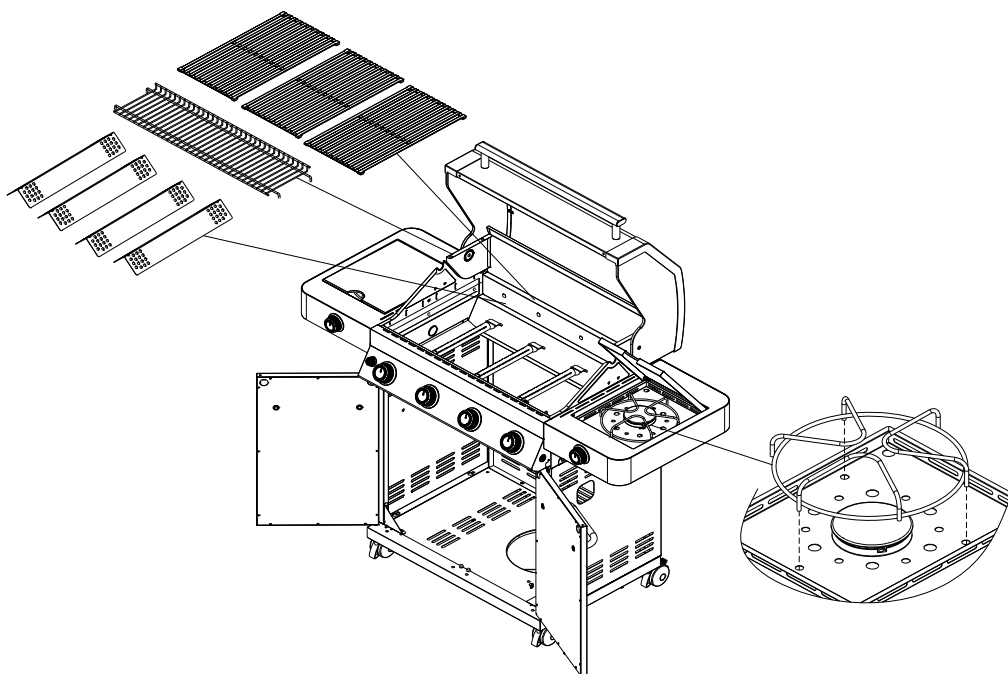
**Figure 16.3**



1. Install Part No.14 onto Part No.16 with two A screws(Figure17.1)
2. Put Part No.15 into Part No.14.(Figure17.1)
3. Put the grease tray into the grill body.(Figure17.2)

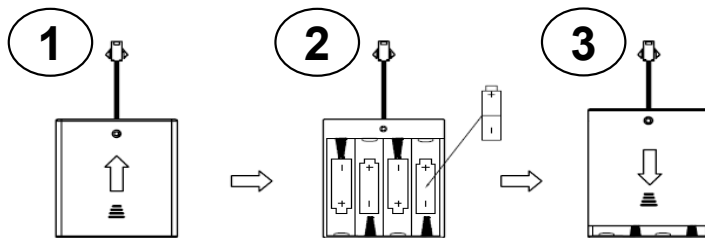
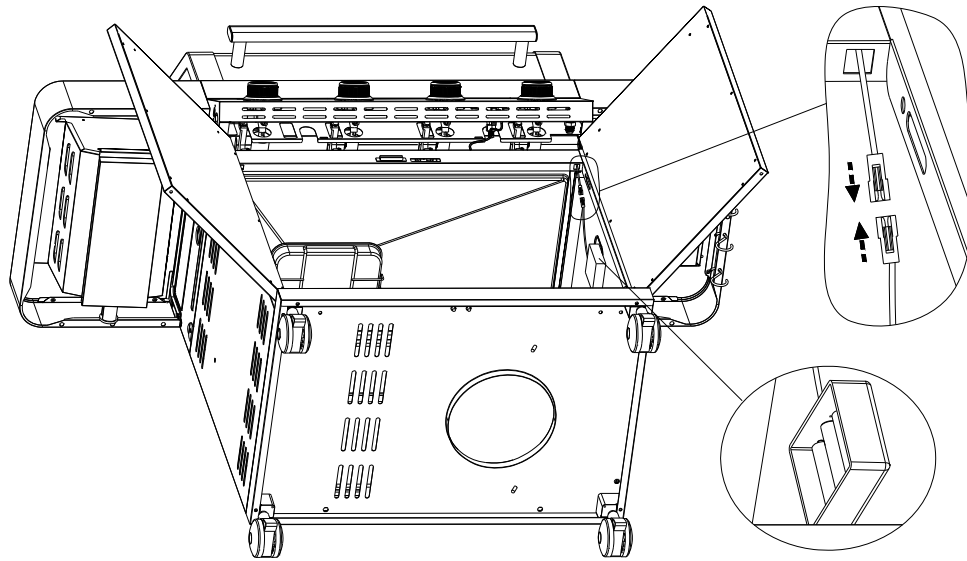
**Figure 17.1**

**Figure 17.2**



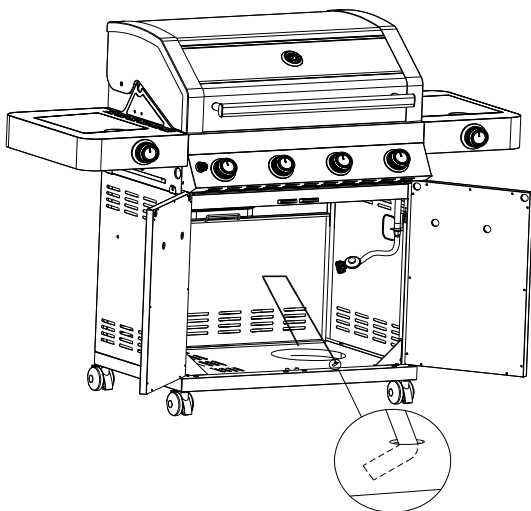
Put Part No. 7, Part No. 8 , Part No. 9 into the relevant place.

**Figure 18**



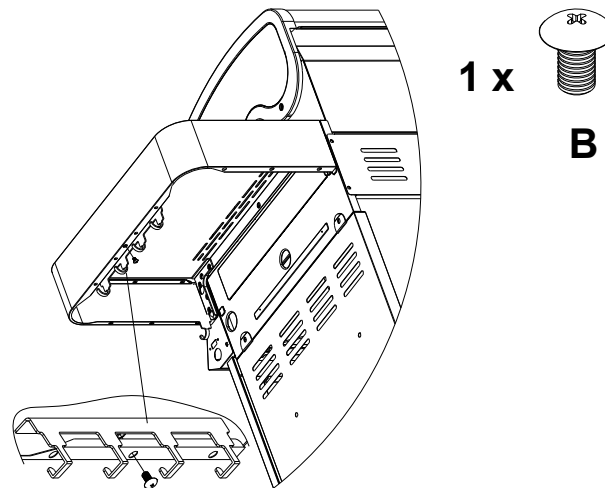
Connect Part No.54 to Part No.41.

**Figure 19**



1. Install Part No. 48 onto the bottom plate. (Figure20.1)
2. Install Part No. 26 onto the side plate. (Figure20.2)

**Figure 20.1**



**Figure 20.2**

### Connecting LP Gas Tank to LP Grill

1. Place foot ring of 20 lb tank into the hole in bottom panel. Make sure the tank valve is in OFF position.(Fig.22).
2. Check the tank valve to ensure it has proper external mating threads to fit the hose and regulator assembly provided.
3. Make sure all burner valves are in OFF position.
4. Inspect the valve connection port and regulator assembly. Look for damage or debris. Remove any debris. Inspect hose for damage. Never use damaged or plugged equipment.
5. When connecting regulator and hose assembly to tank valve hand tighten quick coupling nut clockwise to a full stop (Fig.21) Do not use a wrench to tighten because it could damage the quick coupling nut and result in a hazardous condition.
6. Open tank valve fully (counterclockwise). Use a soapy water solution to check all connections for leaks before attempting to light your grill. If a leak is found, turn tank valve off and do not use your grill until the leak is repaired.

**CAUTION: When the appliance is not in use, gas must be turned off at the supply tank.**

Regulator Connection

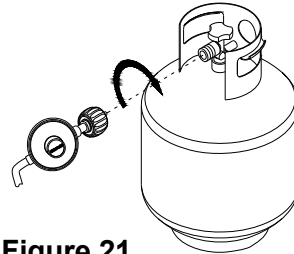


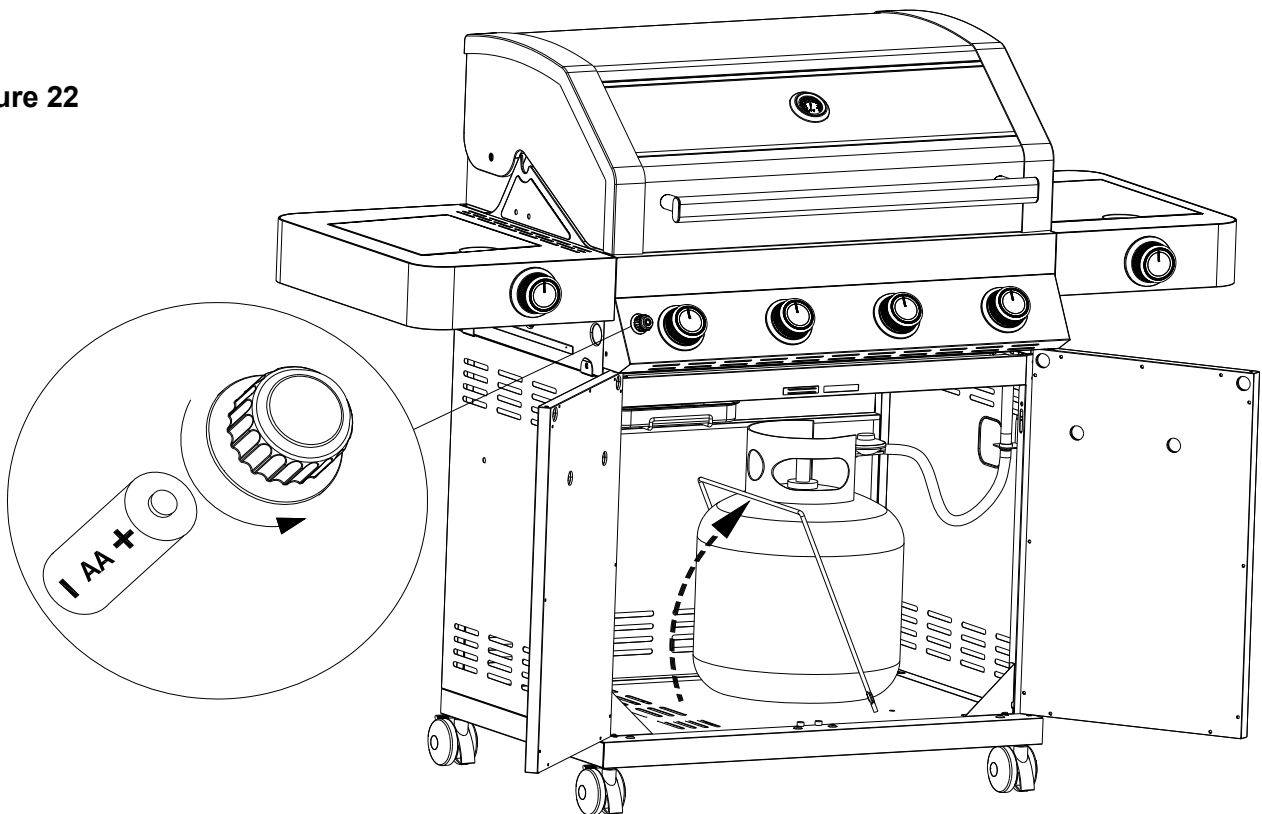
Figure 21

### Congratulations

Your gas grill is now ready for use. Before the first use and at the beginning of each season (and whenever the LP gas tank has been changed):

1. Read all safety, lighting and operating instructions.
2. Check gas valve orifices, burner tubes and burner ports for any obstructions.
3. Perform gas leak check according to instructions found on next page of the manual.

Figure 22



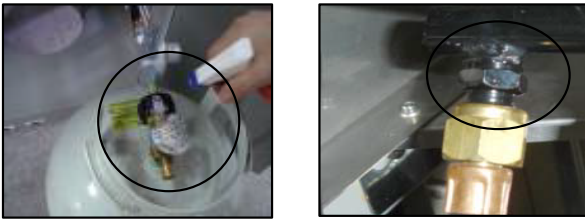


## Checking for LP gas leaks

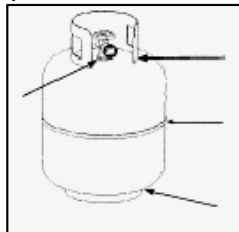
Never test for leaks with a flame. Prior to first use, at the beginning of each season, or every time your LP gas tank is changed, you must check for gas leaks.

1. Make a 50/50 (soap/water) mild soap solution.
2. Turn the control knobs to full OFF position; then turn gas ON at supply tank.
3. Apply the soap solution with a clean brush to all gas connections. See below. If growing bubbles appear in the solution the connections are not properly sealed. Check each fitting and tighten or repair as necessary.

### Gas Connection Leak Check



4. If you have a gas connection leak you cannot repair, turn gas OFF at supply tank, disconnect fuel line from your grill and call your gas supplier for repair assistance.
5. Also apply soapy solution to the tank seams. See below. If growing bubbles appear, shut tank OFF and do not use or move it! Contact an LP gas supplier or your fire department for assistance.



Gas Tank Leak Check

## Grill Lighting Instruction

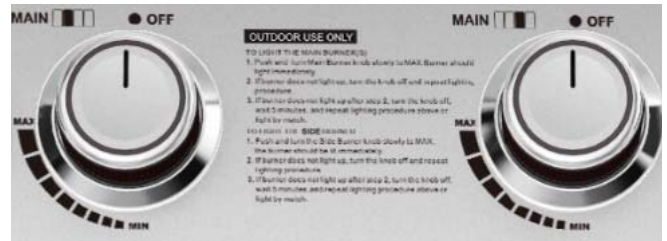
### Grill Lighting Instructions for Main Burners

1. Do not smoke while lighting grill or checking gas supply connections.
2. Be sure that LP gas tank is sufficiently full.
3. Be sure all gas connections are securely tightened.
4. Turn on gas supply
5. Open the grill main lid and side burner lid.
6. Push and turn any main burner knob to IGNITE/Hi position, at the same time, press and hold electronic ignition button for 3 to 5 seconds to light burner.



### WARNING

Failure to open grill lid during the lighting procedure could result in a fire or explosion that could cause serious bodily injury, death, or property damage.



7. To light burners, push and turn burner knob (s) to IGNITE/Hi. At the same time, press and hold electronic ignition button for 3 to 5 seconds to light burner. Adjust knob (s) to desired setting.
8. If the burner does not light after 5 seconds, turn knob to OFF. Turn gas OFF at LP tank and wait 5 minutes for gas to clear. Then turn gas ON at tank and repeat step 6.
9. If burner still does not light, see Match Lighting section and If Grill Still Fails to Light section on following page.

### USING THE SIDE BURNER

Inspect the gas supply hose prior to turning the gas "ON". If there is evidence of cuts, wear or abrasion, it must be replaced prior to use. Do not use the side burner if the odor of gas is present.

**WARNING: Always keep your face and body as far away from the burner as possible when lighting.**

### LIGHTING INSTRUCTIONS FOR SIDE BURNER

1. Open side burner lid fully.
2. Push and turn side burner knob to IGNITE/Hi position. At the same time, press and hold electronic ignition button for 3 to 5 seconds to light burner.
3. If the side burner does not light after 5 seconds, turn knob to OFF. Turn gas OFF at LP tank and wait 5 minutes for gas to clear. Then turn gas ON at tank and repeat step 2.
4. If burner still does not light, see Match Lighting section and If Grill Still Fails to Light section on following page.





## WARNING

**Never** lean over the grill cooking area while lighting your gas grill. Keep your face and body a safe distance (at least 18 inches) from the cooking grid surface when lighting your grill by match.

### Manually Lighting Your Grill by Match

1. Take the manual lighting stick
2. Insert a match into the lighting stick.
3. Follow steps 1 through 5 of the Basic Lighting Procedure.
4. Light the match and extend the lighting stick to cooking grid surface.
5. Turn the desired control knob to the HI/position setting to release gas. The burner should light immediately.



## WARNING

**Should a “FLASH-BACK” fire occur in/or around the burner tubes, follow the instructions below. Failure to comply with these instructions could result in a fire or explosion that could cause serious bodily injury, death, or property damage.**

- Shut off gas supply to the gas grill.
- Turn the control knobs to OFF position.
- Put out any flame with a proper fire extinguisher.
- Open grill lid.
- Once the grill has cooled down, clean the burner tubes and burners according to the cleaning instructions found on page 21.

### If Grill Still Fails To Light

1. Check gas supply and connections for leaks. Check that all wire connections are secure.

2. Repeat basic lighting procedure. If your grill still fails to operate, turn the gas off at source, turn the control knobs to OFF, then check the following:

- Misalignment of burner tubes over orifices

**Correction:** Reposition burner tubes over orifices.

- Obstruction in gas line

**Correction:** Remove fuel line from grill. Do not smoke! Open gas supply for 1 second to clear any obstruction from fuel line. Close off gas supply at source and reconnect fuel line to grill.

- Plugged orifice

**Correction:** Remove burners from grill, carefully lift each burner up and away from gas valve orifice. Remove the orifice from gas valve and gently clear any obstruction with a fine wire. Then reinstall all orifices, burners, and cooking components.

3. If an obstruction is suspected in gas valves, please call for repair service at 1-800-530-9133 .

4. If the grill still does not light you may need to purge air from the gas line or reset the regulator excess gas flow device. **Note:** This procedure should be done every time a new LP gas tank is connected to your grill.

### To purge air from your gas line and/or reset the regulator excess gas flow device:

- Turn the control knob to OFF position.
- Turn off the gas at the tank valve.
- Disconnect regulator from LP gas tank.
- Let unit stand for 5 minutes.
- Reconnect regulator to the LP gas tank.
- Turn the tank valve on slowly until  $\frac{1}{4}$  to  $\frac{1}{2}$  open.
- Open the grill lid.
- Set control knobs to OFF. Push and turn any control knob to HIGH.
- Turn control knobs to HIGH until all the burners are lit
- You may start to use the grill

5. If all checks or corrections have been made and you still have questions about operating your gas grill, call the **Customer Service Helpline**

## Cleaning and Maintenance

To ensure a proper working unit the following proper care and maintenance is suggested.

### Cleaning Cooking Grids

We suggest you wash your cooking grids in a mild soap and warm water solution. You can use a wash cloth or soft brush to clean your cooking grids.

### Cleaning Heat Diffusers

Periodically you should wash the heat diffusers in a soap and warm water solution. Use a soft brush to remove stubborn burnt-on cooking residue. The heat diffusers should be dry before you reinstall them.

### Cleaning Grease Tray

The grease tray should be emptied and wiped down periodically and washed in a mild detergent and warm water solution. A small amount of sand or cat litter may be placed in bottom of grease tray to absorb the grease. Check the grease tray frequently, don't allow excess grease to accumulate and overflow out of the grease tray.

### Annual Cleaning of Grill Interior

Burning-off the grill after every use will keep it ready for your next use. However, once a year you should give the entire grill a thorough cleaning to keep it in top operating condition. Follow these steps.

1. Turn all burner valves to full OFF position.
2. Turn LP gas tank valve to full OFF position.
3. Detach LP gas hose and regulator assembly from your gas grill. Inspect for any damage and replace as necessary with manufacturer replacement part number found on parts list.
4. Remove and clean heat diffusers, cooking grids and grill burners.
5. Cover each gas valve orifice with aluminum foil.
6. Brush inside and bottom of grill with a nylon brush, and wash with a mild soap and warm water solution. Rinse thoroughly and let dry.
7. Remove the aluminum foil, then reinstall heat diffusers, and cooking grids.
8. Reconnect gas source and observe burner flame for correct operation.

### Cleaning Exterior Surface

•We suggest you wash your grill using a mild soap and warm water solution. You can use a wash cloth or sponge for this process. Do not use abrasives or a brush that might remove finish during the cleaning process.

### Cleaning Exterior Stainless Steel Surfaces

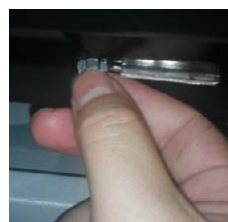
•Weathering and extreme heat can cause exterior stainless steel surfaces to turn tan in color. Machine oils used in manufacturing process of stainless steel can also cause this tanning color. Use a stainless steel cleaner to polish stainless steel surfaces of your grill. Never use abrasive cleaners or scrubbers because they will scratch and damage your grill.

### Cleaning Burner Tubes and Burner Ports

To reduce the chance of "FLASH-BACK" the procedure below should be followed at least once a month in late summer or early fall when spiders are most active or when your grill has not been used for a period of time.

1. Turn all burner valves and gas tank valve to off position.
2. Detach the LP gas regulator assembly from your gas grill.
3. Remove cooking grids, heat diffusers, and grease tray from the grill.
4. Remove the screws from the underside of each burner and lift the burners up and away from the gas valve orifice.
5. Using a bent stiff wire in the shape of a hook, air hose or a bottle brush, run it through the burner tube and inside several times to remove any debris.
6. Replace burners, see illustration below.

Step 1



Step 2



Step 3



### WARNING

The location of the burner tube with respect to the orifice is vital for safe operation. Check to ensure the orifice is inside the burner tube before using the gas grill. If the burner tube does not fit over the valve orifice, lighting the burner may cause explosion and/or fire.

Regardless of which burner cleaning procedure you use, we recommend you also complete the following steps to help prolong burner life.

1. Use a fiber pad or nylon brush to clean the entire outer surface of each burner until free of food residue and dirt.
2. Clean any clogged ports with a stiff wire, such as an open paper clip.

3. Inspect each burner for damage (cracks or holes) and if such damage is found, order and install a new burner. After installation check to ensure that gas valve orifices are correctly placed inside the ends of the burner tubes.

 **WARNING**

Spiders and insects can nest inside the burners of the grill and disrupt gas flow. This very dangerous condition could cause a fire behind the valve panel, thereby damaging the grill and making it unsafe for operation. Inspect the grill at least twice a year.

## Troubleshooting

### BEFORE CALLING FOR SERVICE

If the grill does not function properly, use the following check list before calling for service.

You should inspect the burners at least once a year or immediately after any of the following conditions occur:

PROBLEMS	WHAT TO DO
Grill won't light when the control knob is rotated.	<p>Check to see if LP tank is empty.</p> <p>Clean wires and/or electrode by rubbing with alcohol and clean swab.</p> <p>Wipe with dry cloth.</p> <p>Make sure the wire is connected to electrode assembly.</p> <p>Do other burners on the unit operate?</p> <p>Check to see if other burners operate. If so, check the gas orifice on the malfunctioning burner for an obstruction.</p>
Burner flame is yellow or orange, in combination with the odor of gas.	Refer to Clean Burner Tubes and Burner Ports on page 21.
Low heat with knob in "HI" position.	<p>Is the fuel hose bent or kinked?</p> <p>Is the grill in a dusty area?</p> <p>Is there adequate gas supply available?</p> <p>If it is only one burner that appears low, does the orifice or burner need cleaning?</p> <p>Is the gas supply or gas pressure low?</p>

## Cooking Instructions

### WARNING

**Do not leave the grill unattended. Your grill will get very hot.** Never lean over the cooking area while using your grill. Do not touch cooking surfaces, grill housing. Grill Lid or any other grill parts while the grill is in operation, or until the grill has cooled down after use. Failure to comply with these instructions may result in serious bodily injury.

### Burn-off

Before cooking on your gas grill for the first time, you will want to “burn off” the grill to eliminate any odor or foreign matter. Just ignite the burners, lower the Lid, and operate grill on the HIGH setting for 3 to 5 minutes.

### Cooking Temperatures

**High setting:** Only use this setting for fast warm-up, searing steaks or chops and for burning food residue off the grill after cooking is complete. **Never** use the HIGH setting for extended cooking.

**Medium to Low Settings:** Most recipes specify medium to low settings, including all smoking and for cooking lean cuts such as fish.

**NOTE:** Temperature settings will vary with the temperature and the amount of wind outside your home.

### Direct Cooking

The direct cooking method can be used with the supplied cooking grids and food placed directly over the lit grill Burners. **Direct cooking requires the grill lid to be up.** The method is ideal for searing and whenever you want meat, poultry or fish to have an open-flame barbecued taste. Deep frying and smoking are also best cooked in this manner because they require direct heat.

### WARNING

Do not line the bottom of the grill housing with aluminum foil, sand or any substance that will restrict the flow of grease into the grease tray. Failure to comply with these instructions could result in a fire or explosion which could cause serious bodily injury, death, or property damage.

### Indirect Cooking

To cook **indirectly**, the food should be placed on the left or right side of your grill with the burner lit on the opposite side. **Indirect cooking must be done with the Lid down.**

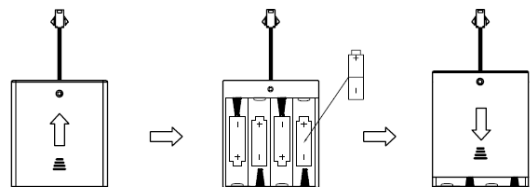
### Flare-ups

The fats and juices dripping from grilled food can cause flare-ups. Since flare-ups impart a favorably, distinctive taste and color to food cooked over an open flame, they should be accepted up to a point. Nevertheless, uncontrolled flaring can result in a ruined meal.

### Replacing the Battery

If the LED do not light, the battery should be replaced. Change the led battery

1. Find the battery box, open the lid.
2. Put 4pcs “AA” size battery, the positive and negative pole of the battery should keep the same as the pole in box.
3. Close the lid.



### Correct Disposal of this product

This marking indicates that this product should not be disposed with other household wastes throughout the EU. To prevent possible harm to the environment or human health from uncontrolled waste disposal, recycle it responsibly to promote the sustainable reuse of material resources. To return your used device, please use the return and collection systems or contact the retailer where the product was purchased. They can take this product for environmental safe recycling.





## Grill Cooking Chart

**WARNING:** To ensure that it is safe to eat, food must be cooked to the minimum internal temperatures listed in the table below.

USDA* Safe Minimum Internal Temperatures	
Fish	145° F
Pork	160° F
Egg Dishes	160° F
Steaks and Roasts of Beef, Veal or Lamb	145° F
Ground Beef, Veal or Lamb	160° F
Whole Poultry (Turkey, Chicken, Duck, etc.)	165° F
Ground or Pieces Poultry (Chicken Breast, etc.)	165° F

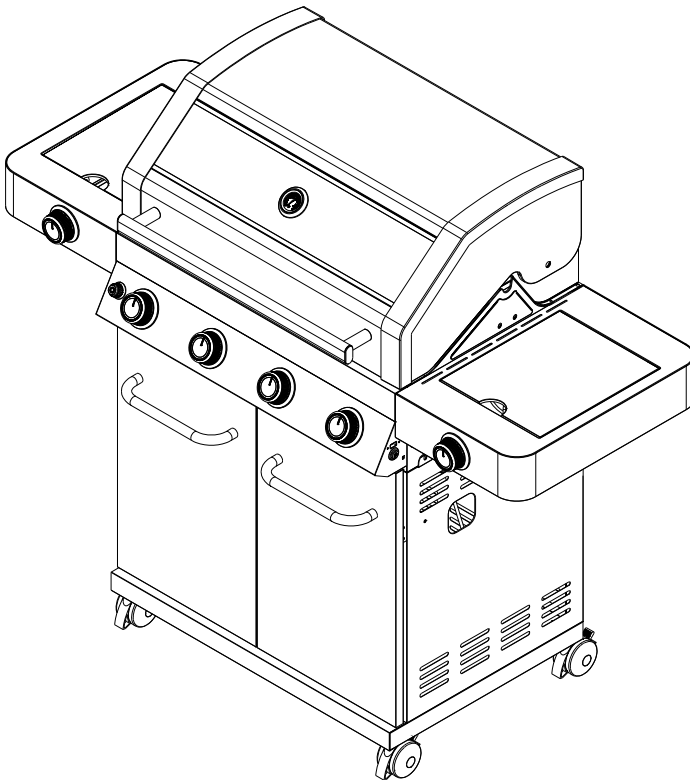
\* United States Department of Agriculture

FOOD	Weight or thickness	Temperature	Time	Special instructions and tips
Vegetables	NA	Medium	8 to 20 minutes	Slice or chop vegetables and dot with butter or margarine. Wrap tightly in heavy duty foil. Grill turning occasionally.
Potatoes	Whole	Medium	40 to 60 minutes	Wrap individually in heavy duty foil. Cook rotating occasionally.
Meat/Steaks	1/2 to 3/4 inches	High-Medium	4 to 15 minutes	Pre heat grill for 15-20 minutes then sear steaks on each side for two minutes. Next grill 3 to 5 minutes on each side or until desired doneness.
Ground Meats	1/2 to 3/4 inches	Medium	8 to 15 minutes	Grill turning once when juices rise to the surface or until desired amount of doneness. Do not leave hamburgers unattended since a flare-up could occur quickly.
Ribs	1/2 or full rack	Medium	20 to 40 minutes	Grill turning occasionally. During last few minutes brush with barbecue sauce, turn several times.
Hot dogs	NA	Medium	5 to 10 minutes	Grill turning four times. 2-4 minutes on each of four sides.
Poultry-Cut	1/4 to 1/2 pounds	Low or Medium	20 to 40 minutes	Grill turning occasionally. During last few minutes brush with barbecue sauce if desired, turn several times.
Poultry Whole	2 to 3 pounds	Low or	1 to 1-1/2 hours	Use poultry stand and brush frequently as desired
		Medium	40 to 60 minutes	Use poultry stand and brush frequently as desired
Fish	3/4 to 1 inch	Medium	8 to 15 minutes	Grill turning once to desired doneness. Brush with melted butter, margarine or oil.

# INSTRUCCIONES DE ENSAMBLAJE Y OPERACIÓN



## Asador de Gas Propano Líquido



- Piezas
- Ensamblaje
- Reglas de Seguridad
- Uso y Cuidado
- Solución de problemas



### **ADVERTENCIA:**

Lea este Manual del Propietario con cuidado y asegúrese de que su asador de gas esté correctamente ensamblado, instalado y que tenga el mantenimiento apropiado. El incumplimiento de estas instrucciones puede ocasionar lesiones graves y/o daños a la propiedad. Este asador de gas está diseñado sólo para uso al aire libre y no está diseñado para instalarse en vehículos recreativos o barcos.

### **Nota para el Instalador**

Deje este Manual del Propietario con el cliente después de realizar la entrega e/o instalación.

### **Nota al Cliente**

Deje este Manual del Propietario en un lugar conveniente para futuras referencias.

### **Línea de ayuda de servicio al cliente:**

**Para pedir partes, llamar al:**

**1-800-530-9133**

Número de Fabricación: 35633G

Código Universal del Producto: 856597007843

Asegúrese de que el dispositivo de conexión de la válvula del cilindro se acople de manera correcta y segura con el dispositivo de conexión conectado a la entrada del regulador de presión.

## Tabla de Contenidos

Garantía -----	2
Precauciones de Seguridad -----	2~4
Lista de Hardware -----	5
Diagrama de Piezas -----	6
Lista de Piezas -----	7
Instrucciones de Ensamblaje -----	8~18
Instrucciones de Encendido -----	18~20
Limpieza y Mantenimiento -----	21~22
Solución de Problemas -----	22
Instrucciones de Cocción -----	23
Tabla de Cocción -----	24

## Garantía del Asador de Gas

### Garantía Completa de un Año de la Parrilla

Si esta parrilla falla debido a material defectuoso o mano de obra dentro de un año a partir de la fecha de compra, llame al 1-800-530-9133 para programar una reparación gratuita (o reemplazo si la reparación resulta imposible).

### Garantía Limitada de 8 Años de los Quemadores de Acero Inoxidable

Durante ocho años a partir de la fecha de compra, cualquier quemador de acero inoxidable que se oxide será reemplazado sin cargo. Después del primer año desde la fecha de compra, usted paga la mano de obra si desea que se lo(s) instalen.

Toda la cobertura de la garantía excluye la pérdida de pintura, decoloración u oxidación de las piezas del quemador, las cuales son piezas desechables que pueden desgastarse por el uso normal dentro del período de garantía o son condiciones que pueden ser el resultado del uso normal, accidentes o mantenimiento incorrecto.

Toda la cobertura de la garantía quedará anulada si esta parrilla se usa alguna vez con fines comerciales o de alquiler.

Toda la cobertura de la garantía se aplica sólo si esta parrilla se usa en los Norteamérica.

Esta garantía le otorga derechos legales específicos, y usted puede tener otros derechos que varían de estado a estado.

La garantía sólo es válida para los compradores originales con prueba de compra de minoristas autorizados. Cualquier producto comprado de segunda mano o a través de un distribuidor no autorizado no estará cubierto por la garantía. Es deber del comprador verificar que un minorista esté autorizado. Una compra en Amazon u otro minorista de Internet del mercado de cualquier entidad que no sea Monument Grills no es una compra original y no califica para una garantía.

2

## Precauciones de seguridad



### ADVERTENCIA

La combustión por productos producidos al usar este producto contiene sustancias químicas que el Estado de California considera que causan cáncer, defectos de nacimiento u otros daños reproductivos.



### ADVERTENCIA

El incumplimiento de estas instrucciones puede provocar un incendio o explosión que podría causar lesiones corporales graves, la muerte o daños a la propiedad.



### ADVERTENCIA

Su parrilla se pondrá muy caliente. Nunca se incline sobre el área de cocción mientras usa su parrilla. No toque las superficies de cocción, la carcasa de la parrilla, la tapa ni ninguna otra parte de la parrilla mientras la parrilla esté en funcionamiento, o hasta que la parrilla de gas se haya enfriado después de su uso.

**El incumplimiento de estas instrucciones puede ocasionar lesiones corporales graves.**



### ADVERTENCIA

- 1. No almacene ni use gasolina u otros líquidos o vapores inflamables cerca de este o cualquier otro electrodoméstico.**
- 2. Un cilindro de gas LP no conectado para su uso no debe almacenarse cerca de este o cualquier otro electrodoméstico.**



### PELIGRO

**Si usted percibe el olor a gas:**

- 1. Desconéctele el gas al electrodoméstico.**
- 2. Apague cualquier llama abierta.**
- 3. Abra la tapa.**
- 4. Si el olor continúa, manténgase alejado del electrodoméstico e inmediatamente llame a su proveedor de gas o a su departamento de bomberos.**

### Códigos de Instalación de la Parrilla

La instalación debe cumplir con los códigos locales o, a falta de códigos locales, con el código nacional de gas combustible, ANSI Z 223.1/NFPA S4, código de instalación de gas natural y propano, CSA B149.1 o código de almacenamiento y manejo de propano, B149.2, o el estándar para vehículos recreativos, ANSI A 119.2, y código de vehículo recreativo CSA Z240, serie de RV, según corresponda.

Los modelos de parrilla de gas LP están diseñados para usarse con un tanque de Gas Propano Líquido estándar de 20 libras, no incluido con la parrilla. Nunca conecte su parrilla de gas a un tanque de gas LP que exceda esta capacidad.



## Precauciones de seguridad

Un tanque de aproximadamente 12 pulgadas de diámetro por 18 ½ pulgadas de alto es el tanque de gas LP de tamaño máximo para usar con este asador. Usted debe usar un tanque de gas OPD que ofrezca un Dispositivo de Prevención de Sobrellenado. Esta característica de seguridad evita que el tanque se llene demasiado, lo que puede causar un mal funcionamiento del tanque de gas LP, el regulador y/o la parrilla.

El tanque de gas LP debe construirse y marcarse de acuerdo con las especificaciones del Departamento de Transporte de los Estados Unidos (DOT). En Canadá, el tanque de gas LP debe cumplir con el Estándar Nacional de Canadá, Can CSA -B339, Cilindros, Esferas y Tubos para el Transporte de Mercancías Peligrosas y con el estándar aplicable de la Comisión que corresponda .

1. El tanque de gas LP debe tener una válvula de cierre, que termine en una salida de válvula de tanque de suministro de gas LP, que sea compatible con un dispositivo de conexión de tanque Tipo 1. El tanque de gas LP también debe tener un dispositivo de alivio de seguridad que tenga una conexión directa con el espacio de vapor del tanque.

2. Siempre mantenga los tanques de gas LP en posición vertical. El sistema de suministro del tanque debe estar debidamente preparado para la extracción de vapor.

3. El tanque de gas LP debe tener un collar para proteger la válvula del tanque.

### Colocación Correcta y Despeje de la Parrilla

**Nunca** use su asador de gas en una cochera, porche, cobertizo, corredor o cualquier otra área cerrada. Su asador de gas debe usarse al aire libre solamente, al menos a 24 pulgadas de la parte posterior y lateral de cualquier superficie combustible. Su asador de gas no debe usarse debajo de una construcción superior combustible. No obstruya el flujo de aire de ventilación alrededor de la carcasa del asador de gas.

- No instale este asador de gas al aire libre en o sobre vehículos recreativos o barcos.

- Mantenga el área del asador de gas al aire libre y alejado de materiales combustibles, gasolina y otros vapores y líquidos inflamables.

- No obstruya el flujo de aire de combustión y ventilación. Verifique esto cada vez antes de usar el asador.

- **Nunca** conecte un tanque de gas LP no regulado a su asador de gas. El conjunto del regulador de gas suministrado con su asador de gas se ajusta para tener una presión de salida de 11 pulgadas de columna de agua (W.C., por sus siglas en inglés) para la conexión a un tanque de gas LP.

- Utilice únicamente el regulador y el conjunto de manguera suministrado con su asador de gas. Los reguladores de repuesto y los ensamblajes de mangueras deben ser los especificados en este manual.

- Asegúrese de que un distribuidor acreditado de gas propano llene su tanque de gas LP y lo inspeccione visualmente y recalibre en cada llenado.
- No guarde un tanque de gas LP de repuesto debajo del asador.
- Nunca llene el tanque por encima del 80 por ciento de su capacidad. Si no se sigue esta información, puede ocurrir un incendio que cause la muerte o lesiones graves.
- Siempre mantenga los tanques de gas LP en posición vertical.
- No almacene (o) use gasolina u otros vapores y líquidos inflamables cerca de este asador de gas.
- No someta el tanque de gas LP a un calor excesivo.
- Nunca almacene un tanque de gas LP en el interior. Si almacena su asador de gas en la cochera u otra ubicación interior, **siempre** desconecte primero el tanque de gas LP y guárdelo afuera de manera segura.



- Coloque la tapa contra el polvo en la salida de la válvula del cilindro siempre que el cilindro no esté en uso. Instale únicamente el tipo de tapa protectora contra el polvo en la salida de la válvula del cilindro que se proporciona con la válvula del cilindro. Otros tipos de tapas o conexiones pueden provocar fugas de propano.
- Los tanques de gas LP deben almacenarse al aire libre en un área bien ventilada y fuera del alcance de los niños. Los tanques de gas LP desconectados no deben almacenarse en un edificio, cochera o cualquier otra área cerrada.
- Cuando su asador de gas no está en uso, el suministro de gas debe cerrarse en el tanque de gas LP.
- El conjunto del regulador de presión y la manguera debe inspeccionarse antes de cada uso del asador. Si hay una abrasión excesiva o desgaste o si la manguera se corta, debe ser reemplazada antes de volver a usar el asador.
- Mantenga la manguera del regulador de gas alejada de las superficies calientes del asador y de la grasa que gotea. Evite retorcimientos innecesarios de la manguera. Inspeccione visualmente la manguera antes de cada uso en busca de cortes, grietas, desgaste excesivo u otros daños. Si la manguera parece dañada, no use el asador de gas.
- **Nunca** encienda su asador de gas con la tapa cerrada o antes de verificar que los tubos del quemador estén completamente asentados sobre los orificios de la válvula de gas.
- **Nunca** permita que los niños operen su parrilla.



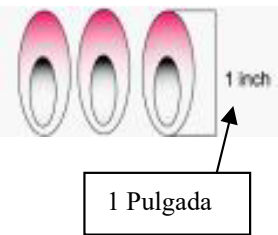
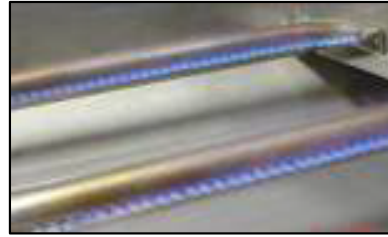
## ADVERTENCIA

Un fuerte olor a gas, o el silbido del gas indica un problema grave con su asador con parrilla de gas o el tanque de gas LP. Si no sigue los pasos que se detallan a continuación, podría producirse un incendio o explosión que podría causar lesiones corporales graves, la muerte o daños a la propiedad.

- Cierre el suministro de gas al asador con parrilla de gas.
- Gire los mandos de control a la posición de APAGADO.
- Apague cualquier llama con un extintor de fuego adecuado.
- Abra la tapa del asador.
- Aléjese del tanque de gas LP.
- No trate de arreglar el problema usted mismo.
- Si el olor continúa o si tiene un incendio que no puede extinguir, llame a su departamento de bomberos. No llame estando cerca del tanque de gas LP porque su teléfono es una forma de dispositivo eléctrico y podría provocar una chispa que podría provocar un incendio y/o

**NOTA:** El flujo normal de gas a través del conjunto del regulador y la manguera puede generar un zumbido. Un volumen bajo de ruido es perfectamente normal y no interferirá con el funcionamiento de la parrilla. Si el ruido del zumbido es fuerte y excesivo, es posible que deba purgar el aire de la línea de gas o restablecer el dispositivo de flujo de gas en exceso del regulador. Este procedimiento de purga debe hacerse cada vez que se conecta un nuevo tanque de gas LP a su parrilla. Para obtener ayuda con este procedimiento, consulte la página 20, artículo 4 de "Si la Parrilla Aún No Enciende".

## Comprobación de Llama del Quemador



Revise visualmente las llamas del quemador antes de cada uso. Las llamas deben parecerse a las imágenes, si no es así, consulte la sección de limpieza de los tubos y los puertos del quemador, página 21 de este manual.

## ADVERTENCIA!

Por favor, asegúrese de limpiar el apagador de llamas / la rejilla de cocción / la bandeja de grasa / la bandeja después de cada uso. El incumplimiento de esto podría provocar un incendio o explosión que podría causar lesiones corporales graves, la muerte o daños a la propiedad.

## PRECAUCIÓN: Cuidado con el Retroceso de Llamas

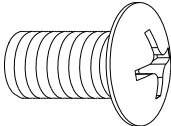
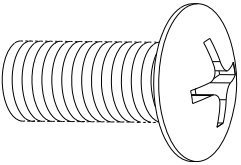
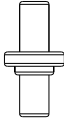
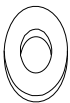
**PRECAUCIÓN:** Las arañas y los insectos pequeños ocasionalmente hilan telarañas o hacen nidos en los tubos del quemador de la parrilla durante el tránsito y el almacenamiento. Estas redes pueden provocar obstrucciones en el flujo de gas que podrían provocar un incendio dentro y alrededor de los tubos del quemador. Este tipo de fuego se conoce como "RETROCESO DE LLAMAS (*Flash-Back*, en inglés)" y puede causar daños graves a su asador y crear condiciones de operación inseguras para el usuario.

Aunque un tubo de quemador obstruido no es la única causa del "RETROCESO DE LLAMAS", es la causa más común.

Para reducir la posibilidad del "RETROCESO DE LLAMAS", debe limpiar los tubos del quemador antes de armar su asador, y al menos una vez al mes a fines del verano o principios del otoño cuando las arañas están más activas. Realice también este procedimiento de limpieza del tubo del quemador si su asador no se ha utilizado durante un período prolongado.

## Contenidos del Paquete de Hardware

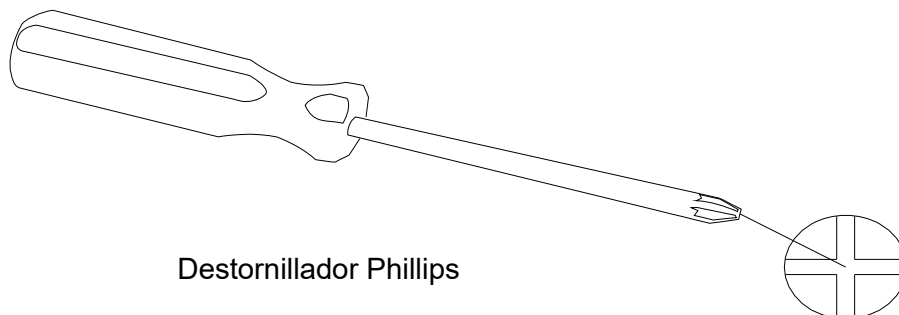
La siguiente tabla ilustra un desglose del paquete de hardware. Resalta cuáles componentes se usan en las diversas etapas de ensamblaje.

A		5/32"x12mm	11 piezas
B		1/4"x15mm	13 piezas
C			2 piezas
D		1/4"	4 piezas

## Herramientas Necesarias para el Ensamblaje

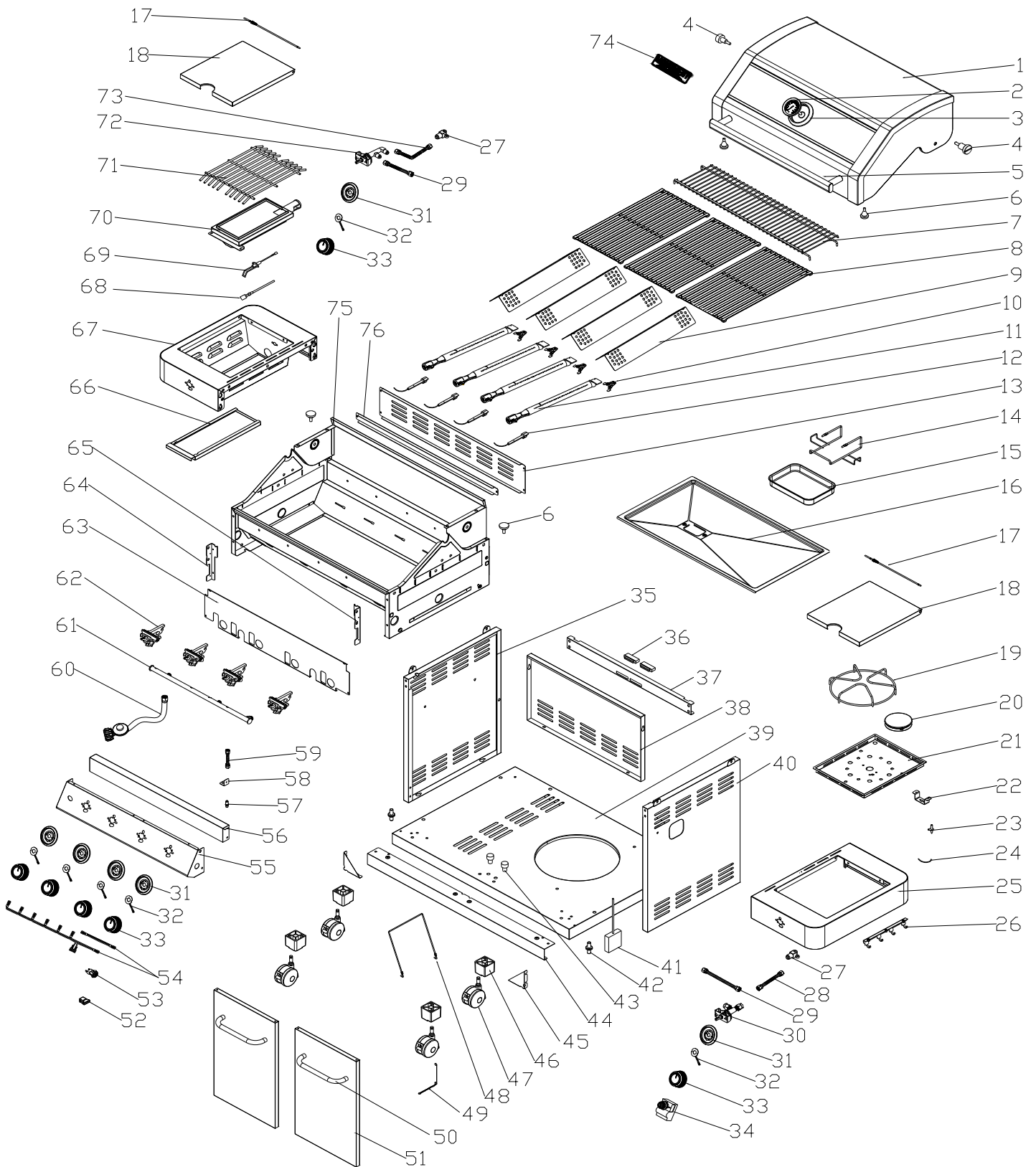
Destornillador Phillips (no incluido).

Nota: Los lados izquierdos y derechos del asador están a su izquierda y derecha cuando usted mira el asador de frente.



Destornillador Phillips

# Diagrama de Piezas del Modelo 35633G



## Lista de Piezas del Modelo N° 35633G

seq. NO.	appellation	qty	Material code	seq. NO.	appellation	qty	Material code
1	Tapa Principal	1	D010012906	40	Panel Lateral, Derecha	1	D010012903
2	Indicador de Temperatura	1	A0212824	41	Caja de Batería	1	A0212663
3	Asiento del Indicador de Temperatura	1	A0212967	42	Eje Debajo del Panel de la Puerta	2	A0212557
4	Tornillo de la Tapa Principal	2	A0407131	43	Tornillo de Separación debajo del panel de la puerta	2	A02120079
5	Manija Principal de la Tapa	1	D010010251	44	Borde Inferior del Panel Frontal del Carrito	1	D010012063
6	Parachoques de la Cubierta	4	A0212666	45	Soporte triangular, izquierdo	2	D010012745
7	Parrilla	1	A0212856	46	Enchufe de fijación de la rueda giratoria	4	A0212805
8	Rejilla de Cocción con Orificio-A	3	A0212804	47	Ruedita giratoria	4	A0211004
9	Difusor de Calor	4	D010012307	48	Línea de fijación del contenedor de gas	1	A0212837
10	Resorte de Pinza	4	A0212873	49	Pararrayos	1	A02121323
11	Quemador Principal	4	A0212926	50	Manija de la Puerta	2	D010012747
12	Alambre del Encendedor del Quemador Principal	4	D010012900	51	Puerta Frontal	2	D010012094
13	Panel Trasero, Parte Superior	1	D010012737	52	Entrada para Lámpara LED -USB2.0	1	A02120032
14	Soporte de la Caja de Grasa	1	A0212838	53	Interruptor de Lámpara LED	1	A0212627
15	Caja de Grasa	1	D010012705	54	Circuito de la Lámpara LED	1	D010013687
16	Bandeja de Grasa	1	D010021002	55	Panel de Control Principal	1	D010014390
17	Varilla de la bisagra de la Tapa del Quemador Lateral	2	A0212534	56	Marco del Panel de Control Principal	1	D010012108
18	Tapa del Quemador Lateral	2	D010007598	57	Conector de Gas	1	A0212830
19	Rejilla de cocción del quemador lateral, derecha	1	A0212248	58	Panel de Fijación del conector de gas	1	D010012298
20	Quemador lateral, derecha	1	A0212533	59	Línea de Gas del Quemador Principal FLEX	1	A0212829
21	Bandeja Lateral del Quemador	1	D011006420	60	Regulador de gas LP	1	A0212831
22	Soporte del orificio del quemador lateral	1	D019706920	61	Distribuidor de Gas Principal	1	A02120086
23	Encendedor de quemador lateral, derecho	1	A0212436	62	Válvula de Gas Principal	4	A0212862
24	Alambre del encendedor del quemador lateral, derecha	1	A0212869	63	Deflector frontal	1	D010012052
25	Estante Lateral, derecho	1	D010014389	64	Panel de Fijación del Panel de Control, izquierdo	1	D010012050
26	Gancho	1	D010018023	65	Panel de Fijación del Panel de Control, Derecho	1	D010012051
27	Orificio Lateral del Quemador	2	A0212828	66	Caja de recogida de aceite, izquierda	1	D010012440
28	Línea del Gas del Quemador Lateral FLEX, 250	1	A020021	67	Estante Lateral, izquierda	1	D010013689
29	Línea del Gas del Quemador Lateral FLEX, 480	2	A02120090	68	Alambre del encendedor del quemador lateral, izquierda	1	A0212891
30	Válvula de Gas del Quemador Lateral, Derecha	1	A02120088	69	Encendedor de quemador lateral, izquierda	1	A0212871
31	Base de la Perilla de Control	6	D010012905	70	Quemador lateral, izquierda	1	A0212872
32	Panel de Lámpara LED	6	A02120213	71	Rejilla de cocción del quemador lateral, izquierda	1	A0212875
33	Perilla de Control	6	A02120817	72	Válvula de Gas del Quemador Lateral, izquierda	1	A02120089
34	Módulo de Encendedor de Pulso	1	A0212864	73	Línea del Gas del Quemador Lateral FLEX, 650	1	A0201169
35	Panel Lateral, izquierda	1	D010012742	74	Logotipo	1	A0212808
36	Imán de Puerta	2	A0201249	75	Caja de Fuego	1	D010012655
37	Marco del Carro, Delantero	1	D010012721	76	Panel Trasero, A	1	D010015501
38	Panel Trasero, Parte Inferior	1	D010012748		Manual	1	C042179
39	Panel Inferior	1	D010012098		Paquete de materiales	1	D010012753

Para preguntas sobre el ensamblaje, llame al:  
1-800-530-9133

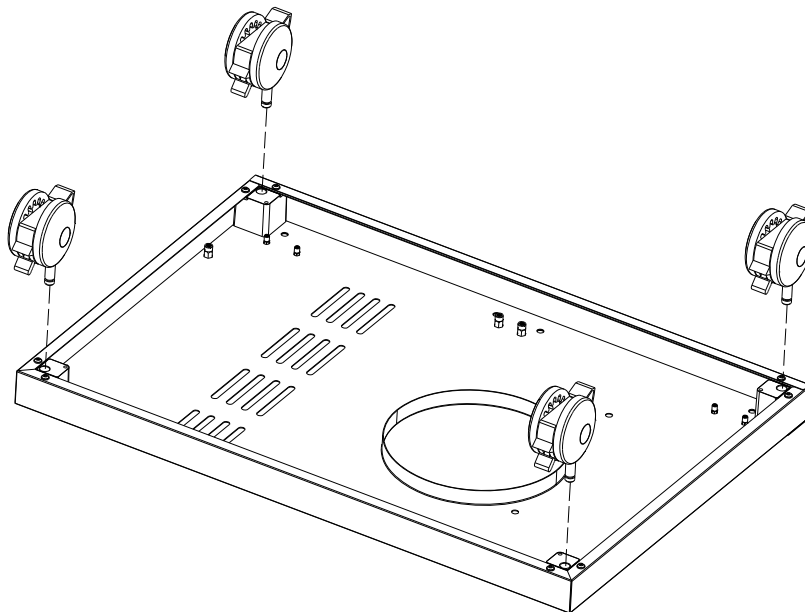
Para asegurarse de obtener las piezas de repuesto correctas para su asador de gas, consulte los números de pieza en esta página.

**Importante:** Guarde este Manual del propietario para una referencia conveniente y para el reemplazo de piezas.

Importante: use solo las piezas enumeradas arriba. Al hacer un pedido de piezas, proporcione la siguiente información:

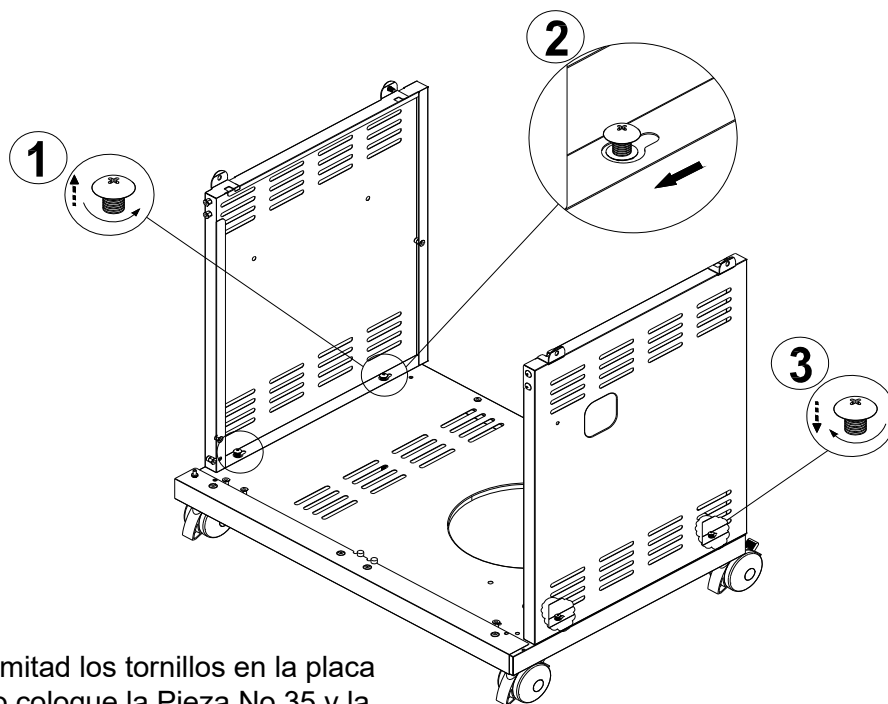
1. Número de Modelo
2. Número de Pieza (vea # de Pieza en la tabla)
3. Descripción de la Pieza
4. Cantidad de Piezas que Necesita

## Instrucciones de Ensamblaje



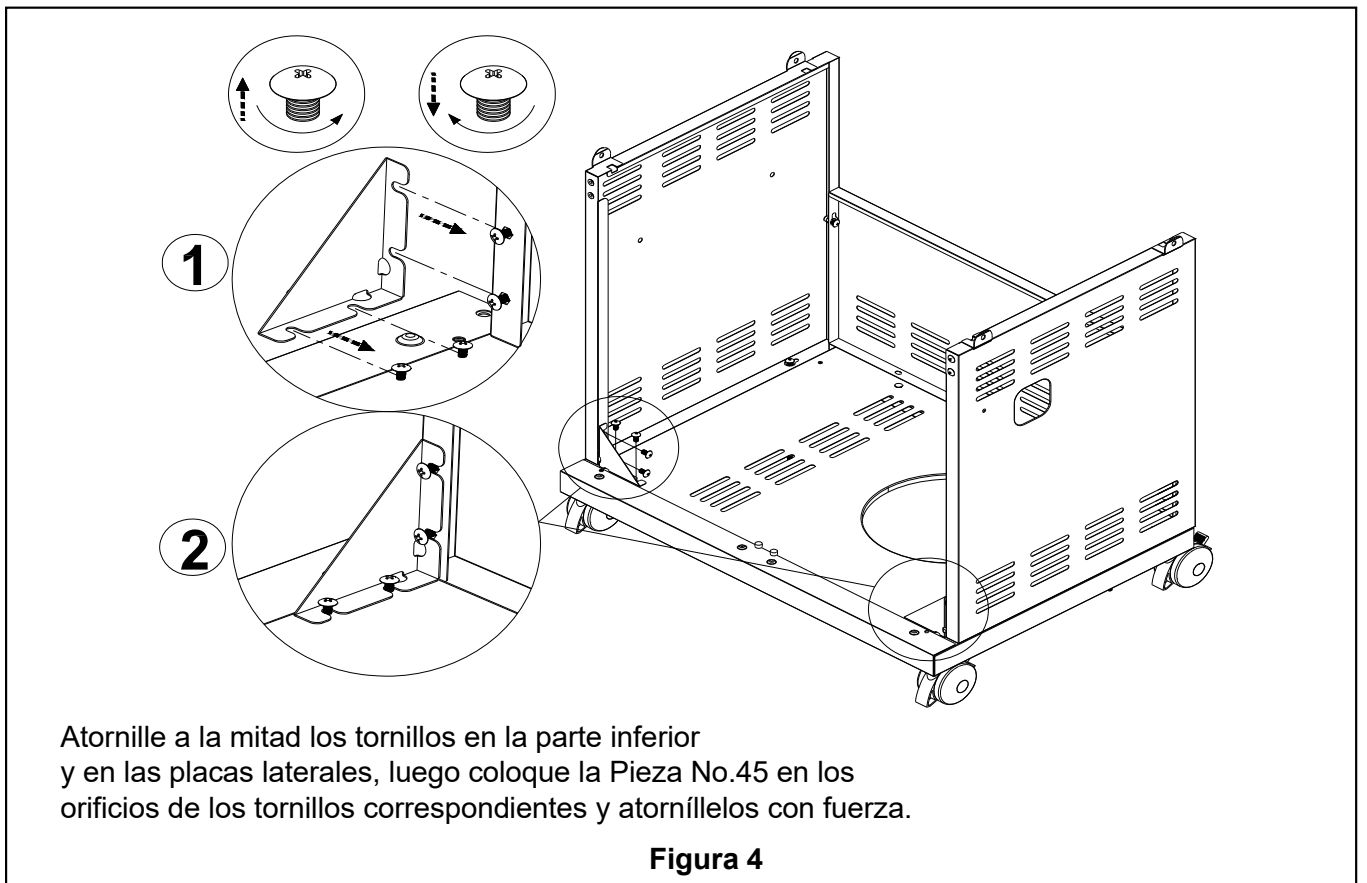
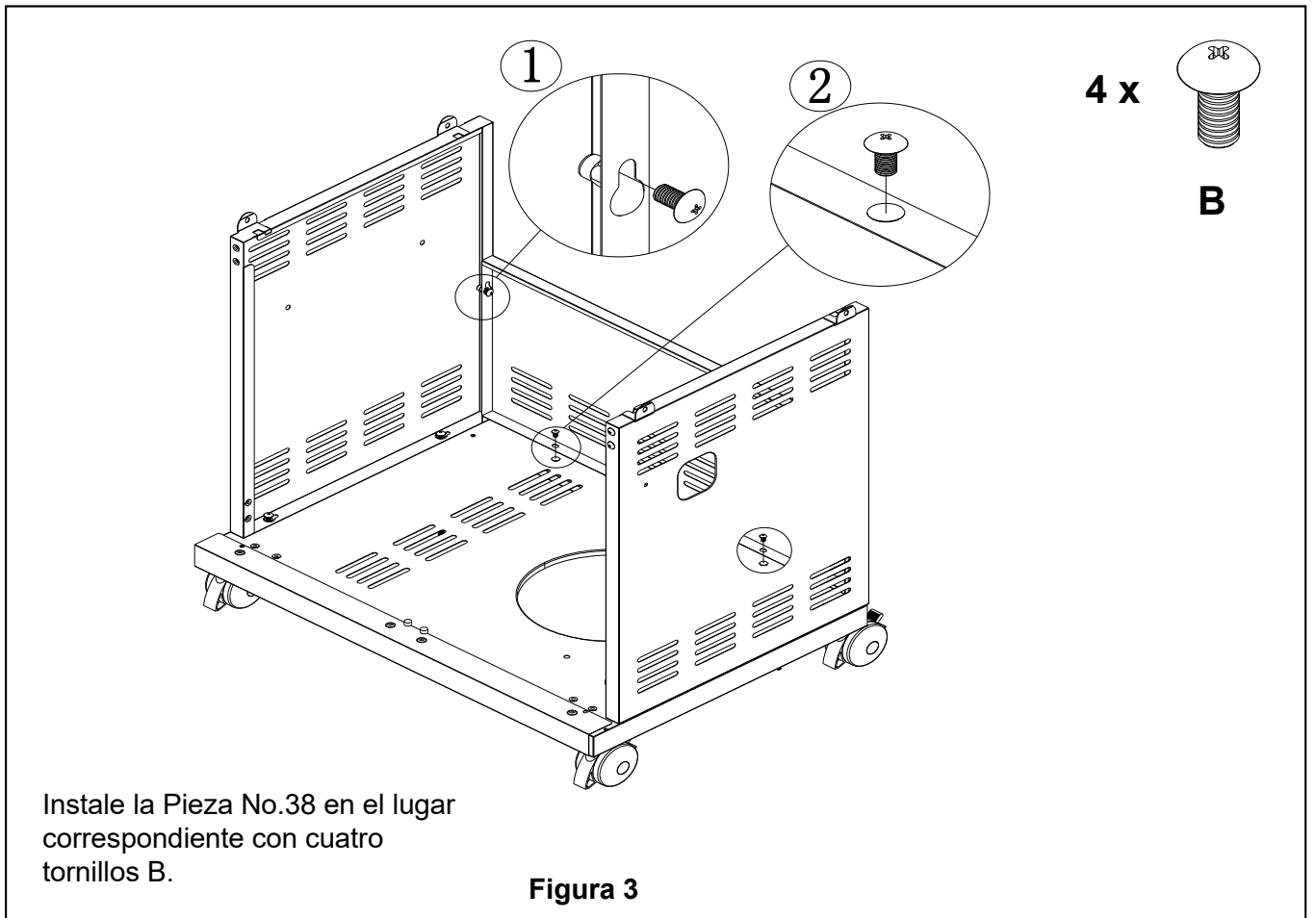
Por favor, inserte la Pieza No.47 en la placa inferior.

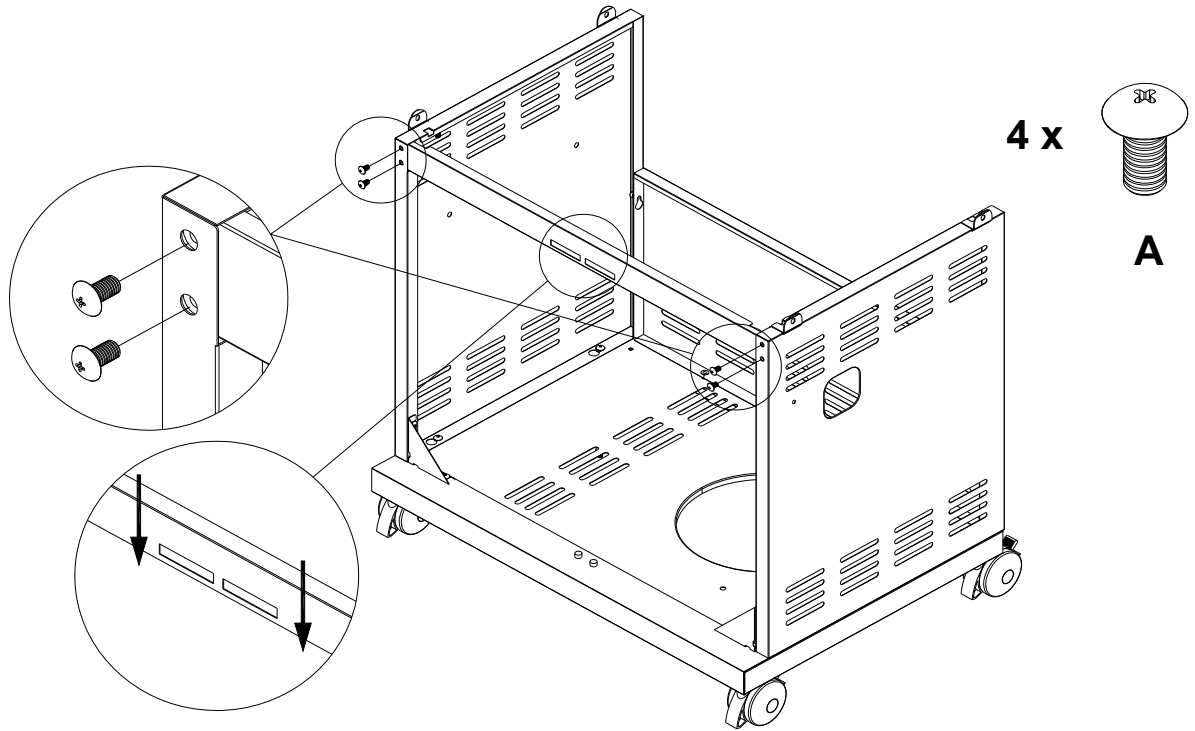
**Figura 1**



Atornille a la mitad los tornillos en la placa inferior, luego coloque la Pieza No.35 y la Pieza No. 40 en los orificios para tornillos correspondientes y atornille con fuerza.

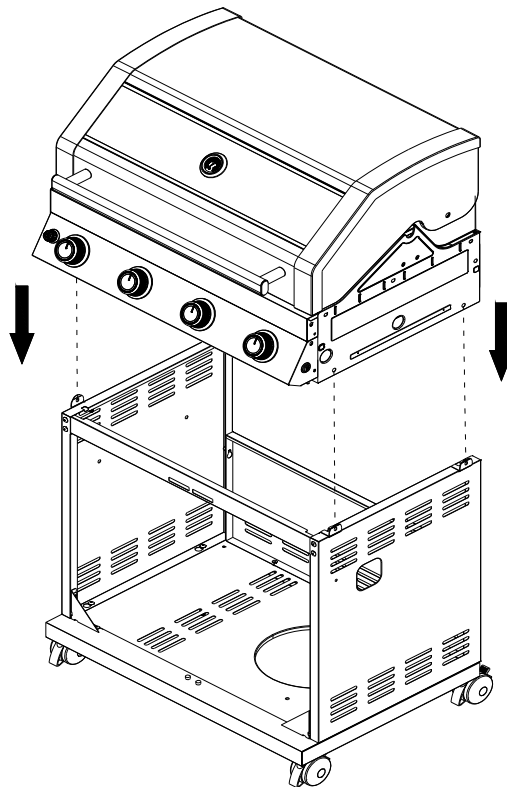
**Figura 2**





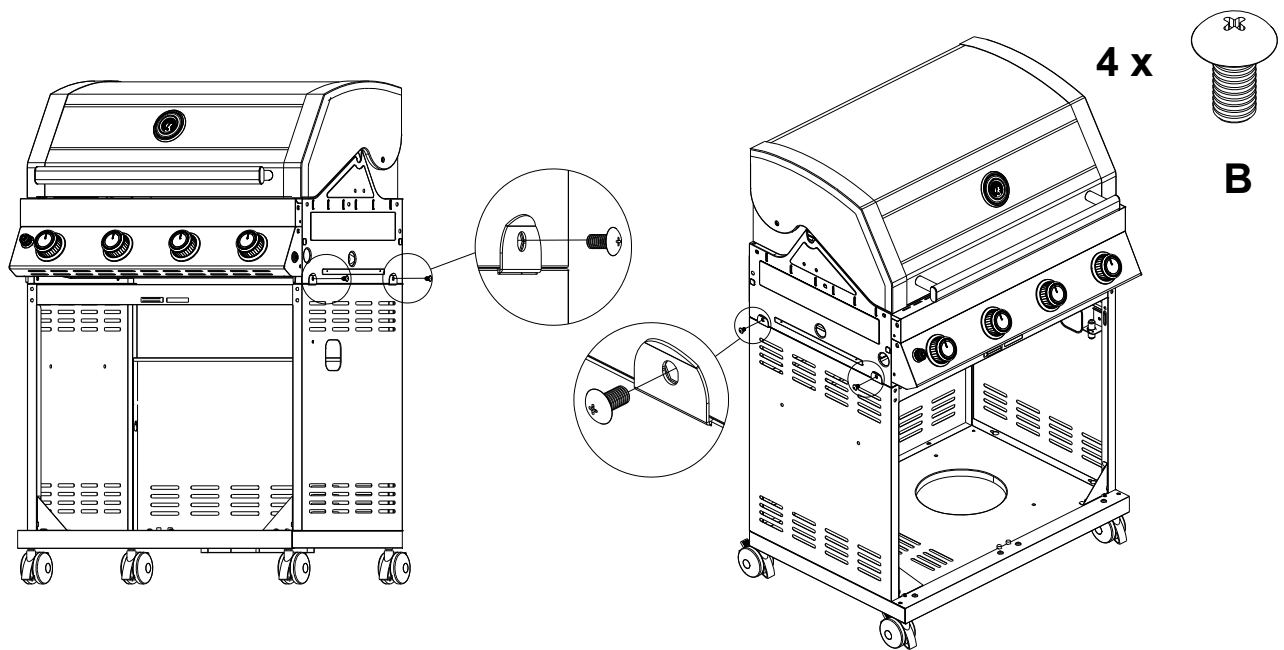
Instale la Pieza No.37 en el lugar que corresponde con cuatro tornillos A  
 Atención: El imán hacia abajo.

**Figura 5**



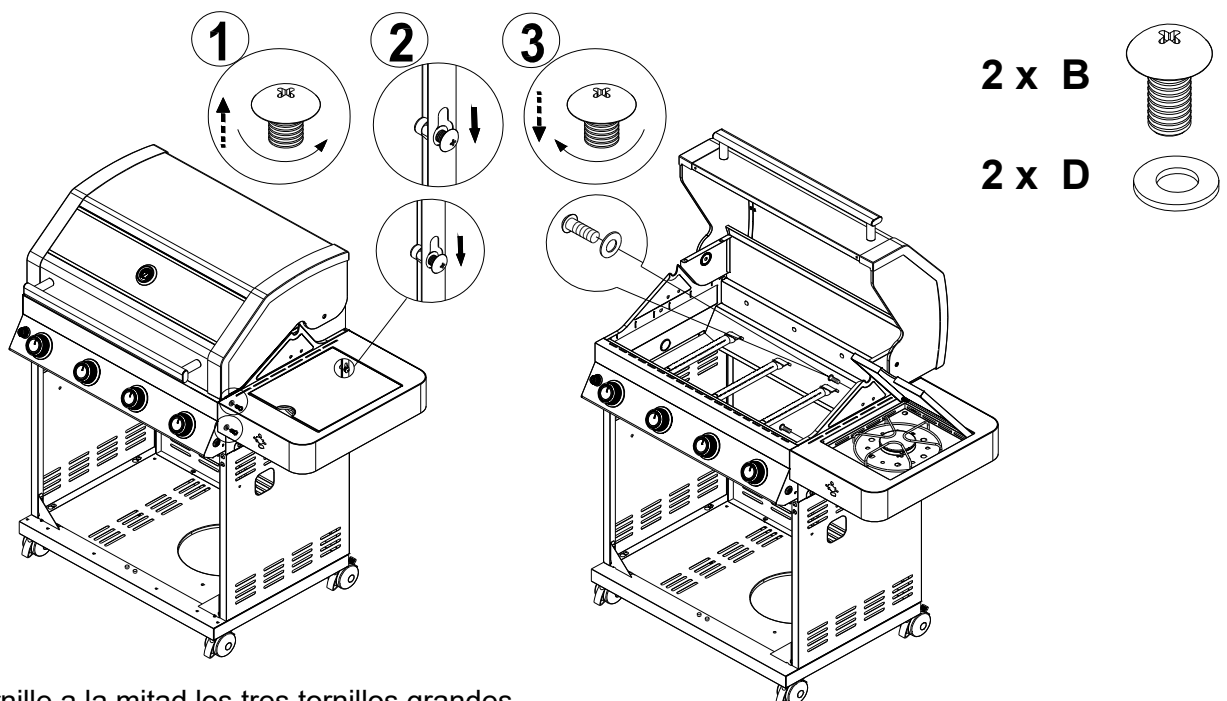
**Figura 6**





Atornille con fuerza el cuerpo de la parrilla y el carro con cuatro tornillos B.

Figura 7

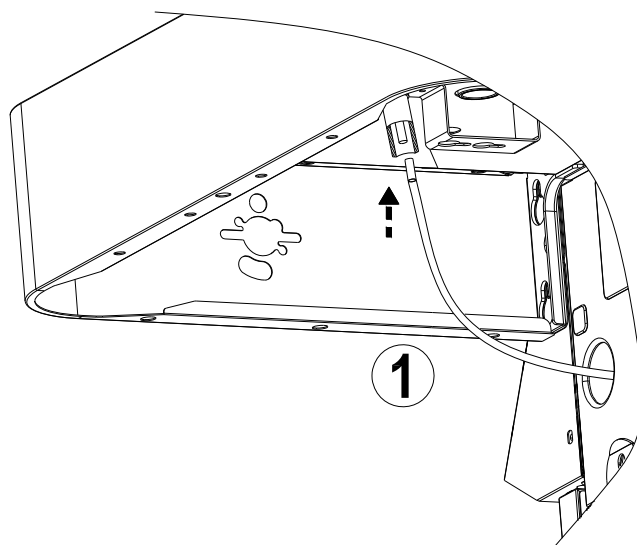
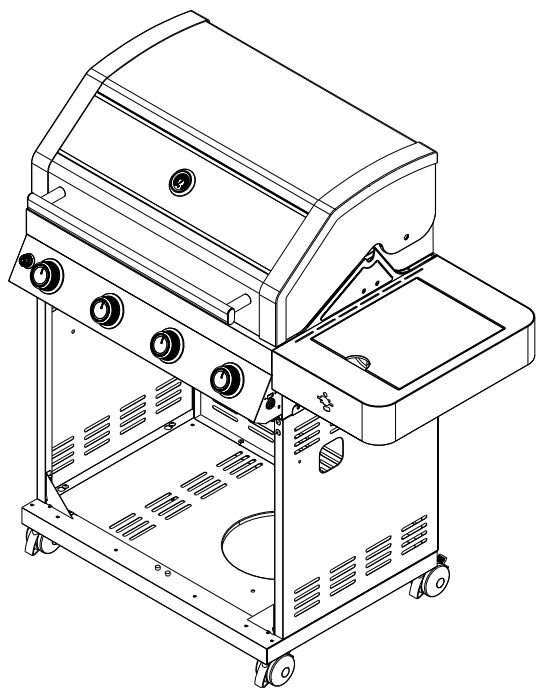


1. Atornille a la mitad los tres tornillos grandes fuera del cuerpo de la parrilla, luego coloque la Pieza No.25 en los orificios para tornillos correspondientes y atornille con fuerza.

Figura 8.1

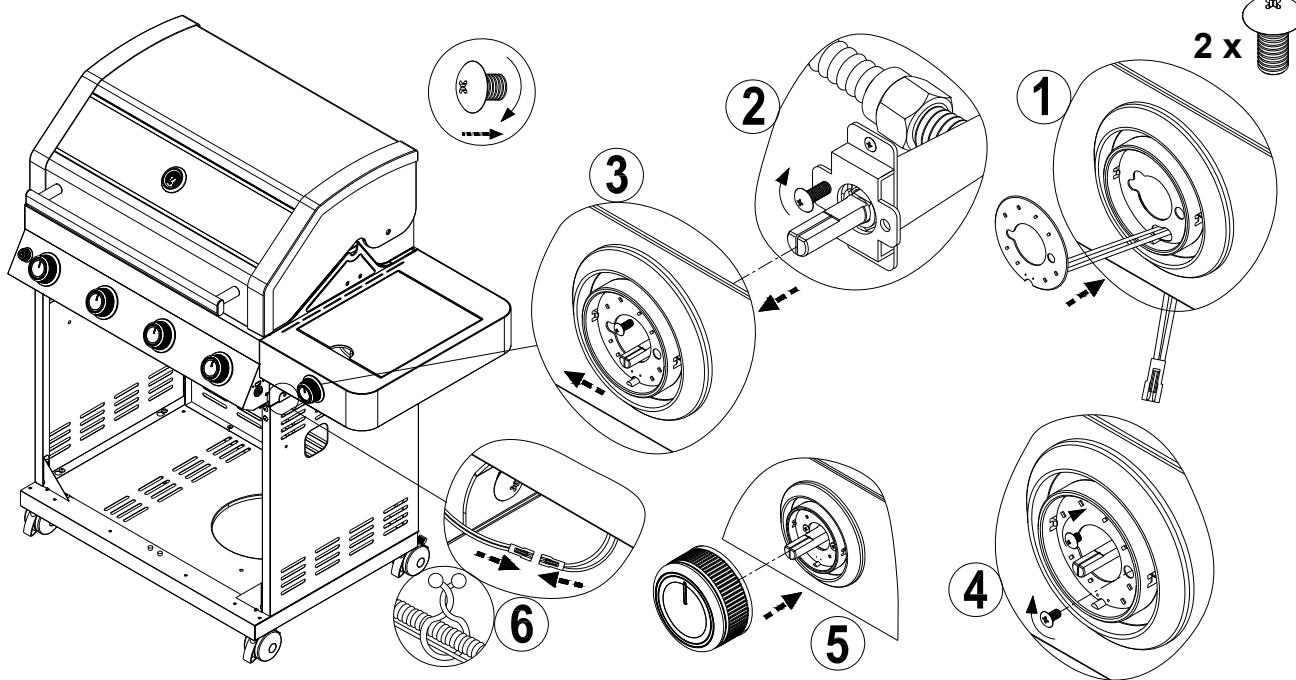
2. Atornille con fuerza la pieza No.25 con el tornillo B y el espaciador D dentro del cuerpo de la parrilla.

Figura 8.2



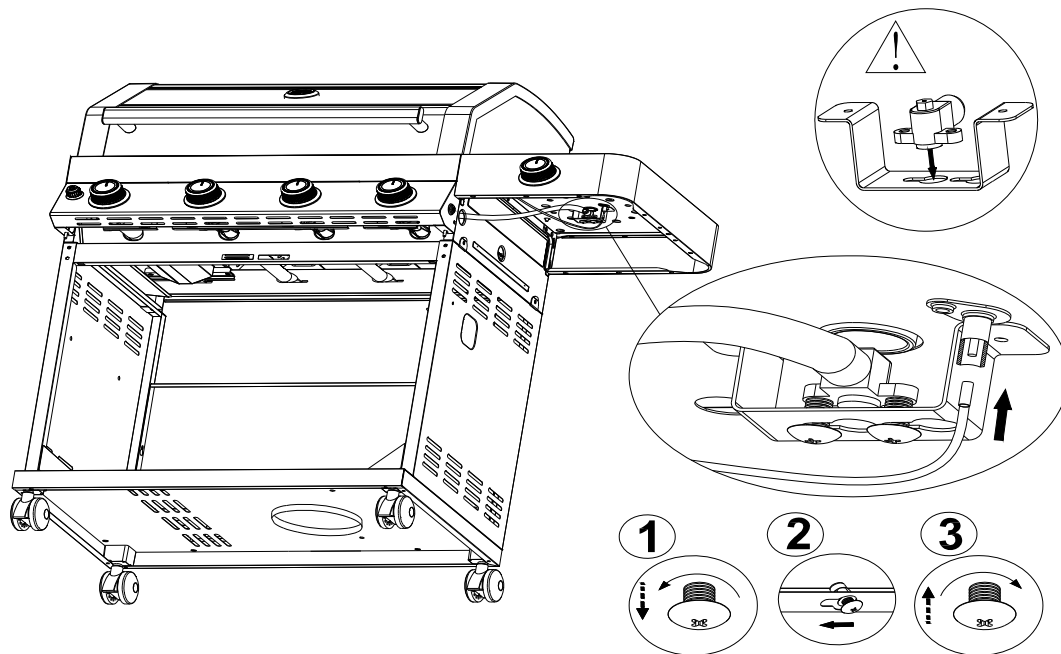
1. Instale la Pieza No. 24 en la Pieza No. 23.

Figura 9



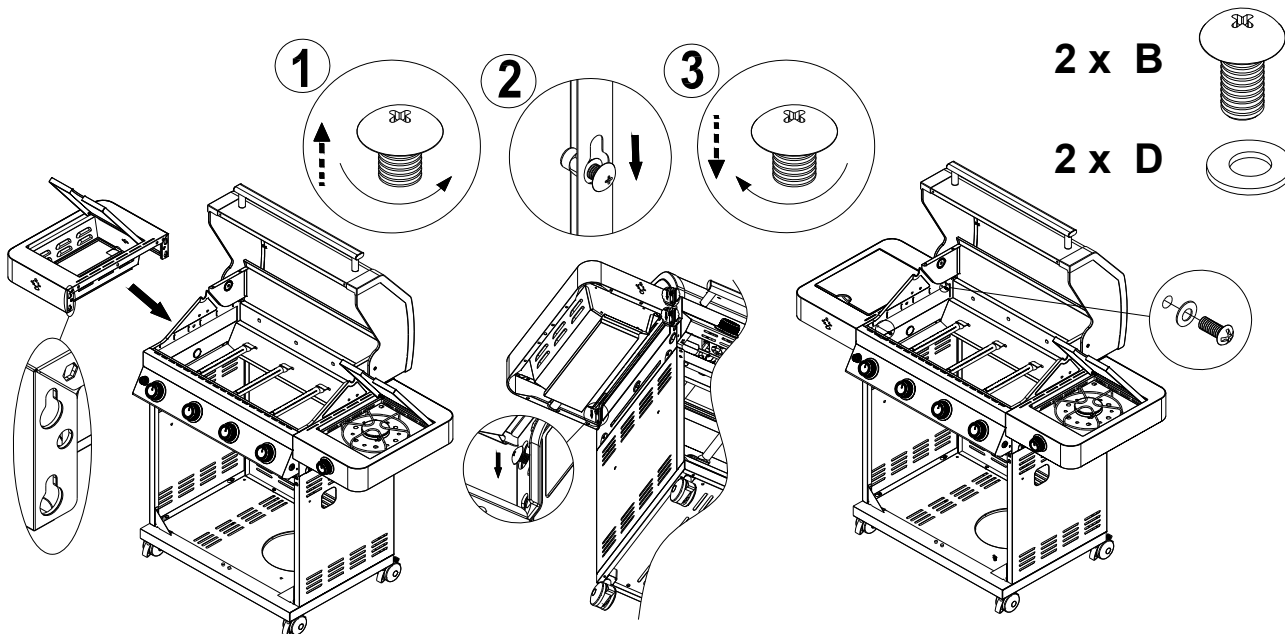
1. Inserte la Pieza No.30, Pieza No.32 y Pieza No.33 como lo muestra la figura.  
 2. Inserte el cable como lo muestra la figura.

Figura 10



Atornille a la mitad el tornillo en la Pieza No.27, luego póngalo en el orificio de la Pieza No.22 y atorníllelo firmemente.

**Figura 11**



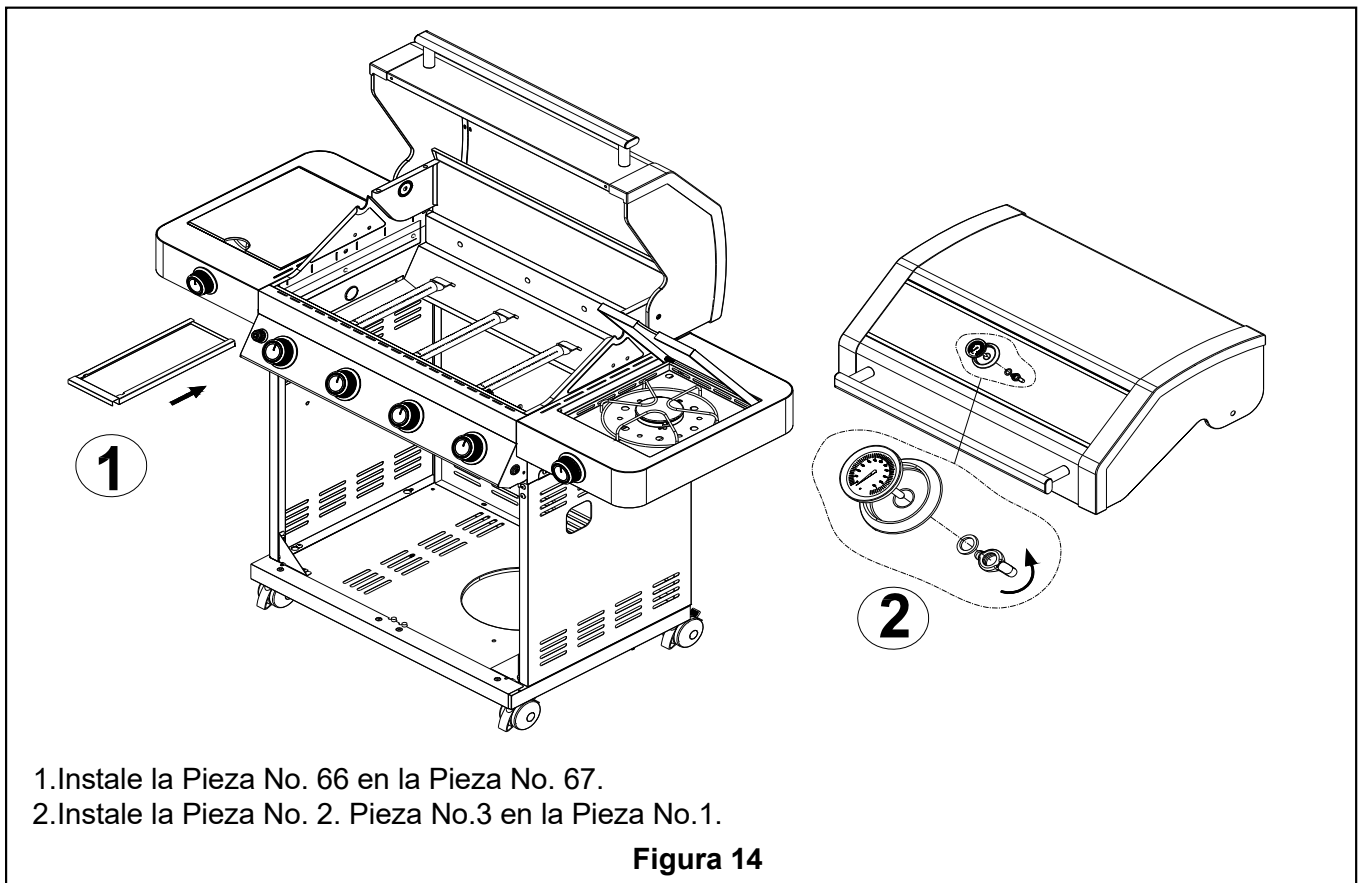
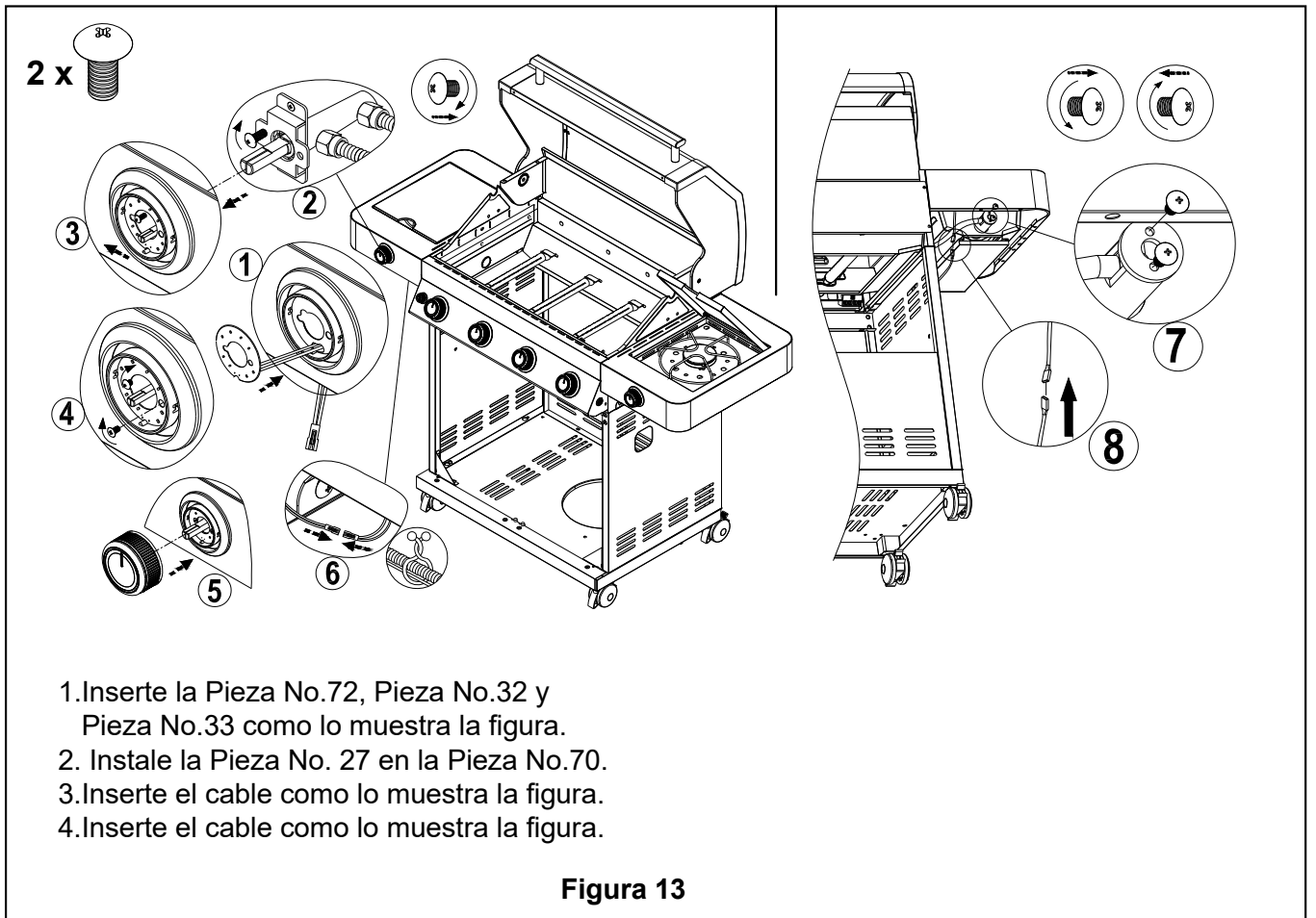
1. Atornille a la mitad los tres tornillos grandes en el cuerpo de la parrilla, luego coloque la Pieza No.67 en los orificios para tornillos correspondientes y atornille con fuerza.

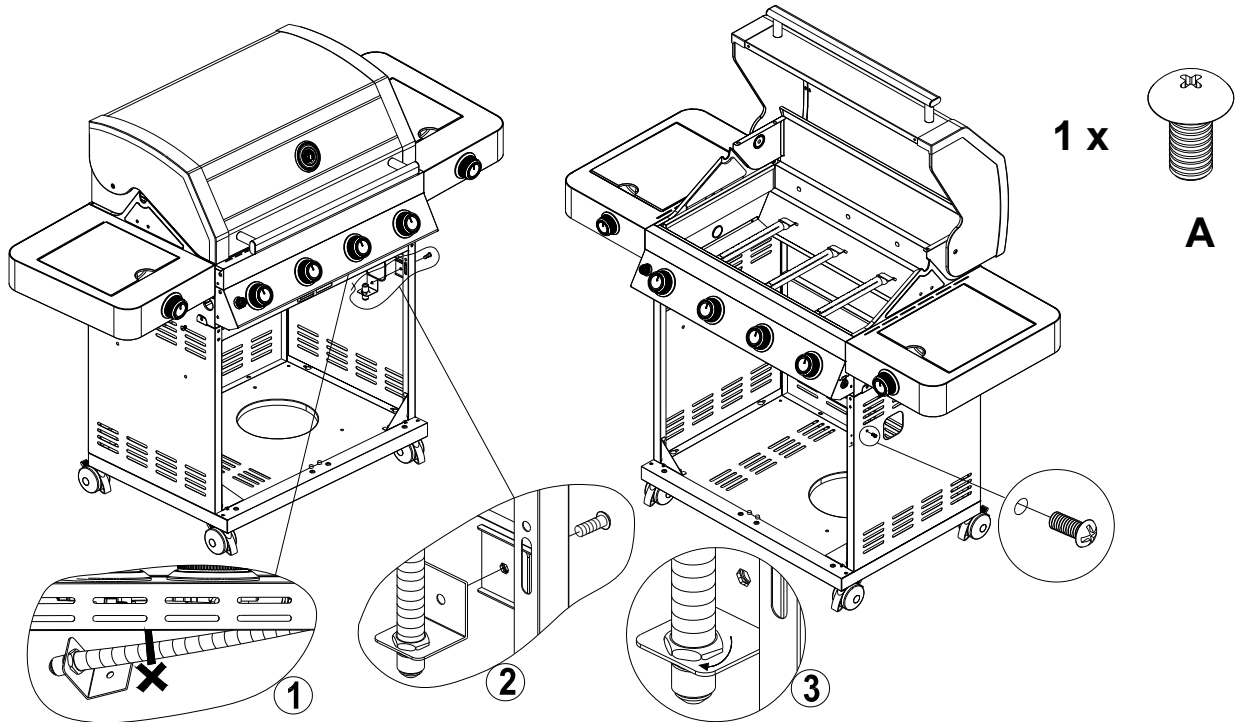
**Figura 12.1**

2. Atornille con fuerza la Pieza No. 67 apretadamente con el tornillo B y el espaciador D dentro del cuerpo de la parrilla.

**Figura 12.2**

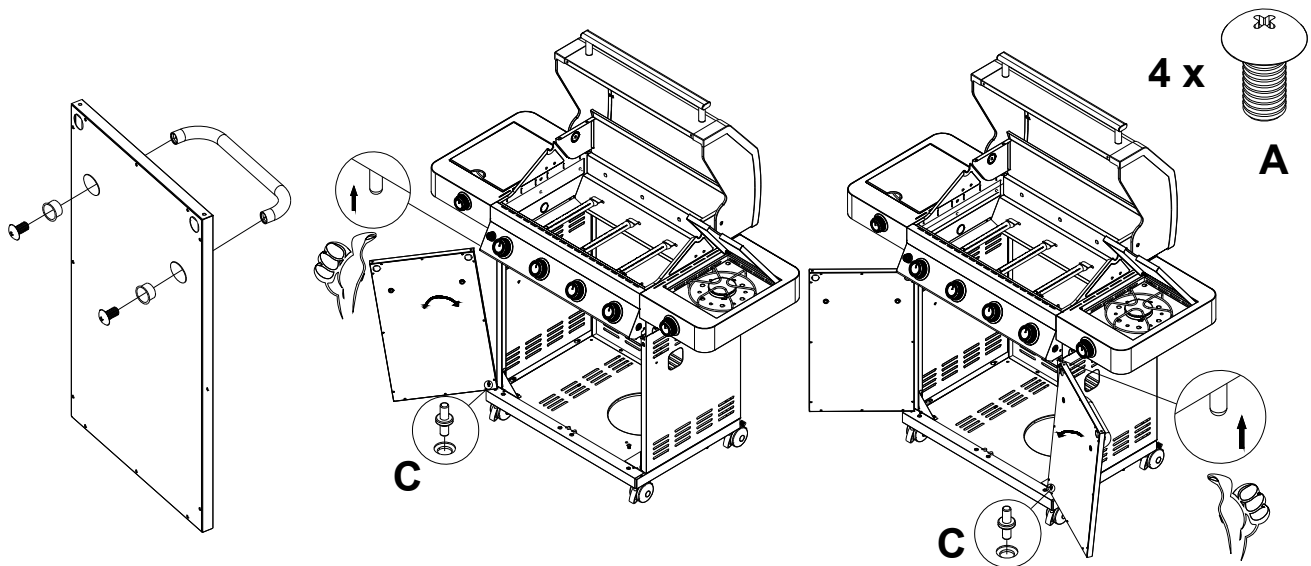
**Figura 12.3**





Fijar la Pieza No. 58 en la placa derecha con un tornillo A.

**Figura 15**



1. Instale la Pieza No. 50 en la Pieza No. 51 con tornillos A. (Figura 16.1)

2. Coloque la Pieza C en el orificio correspondiente en la placa inferior. (Figura 16.2)

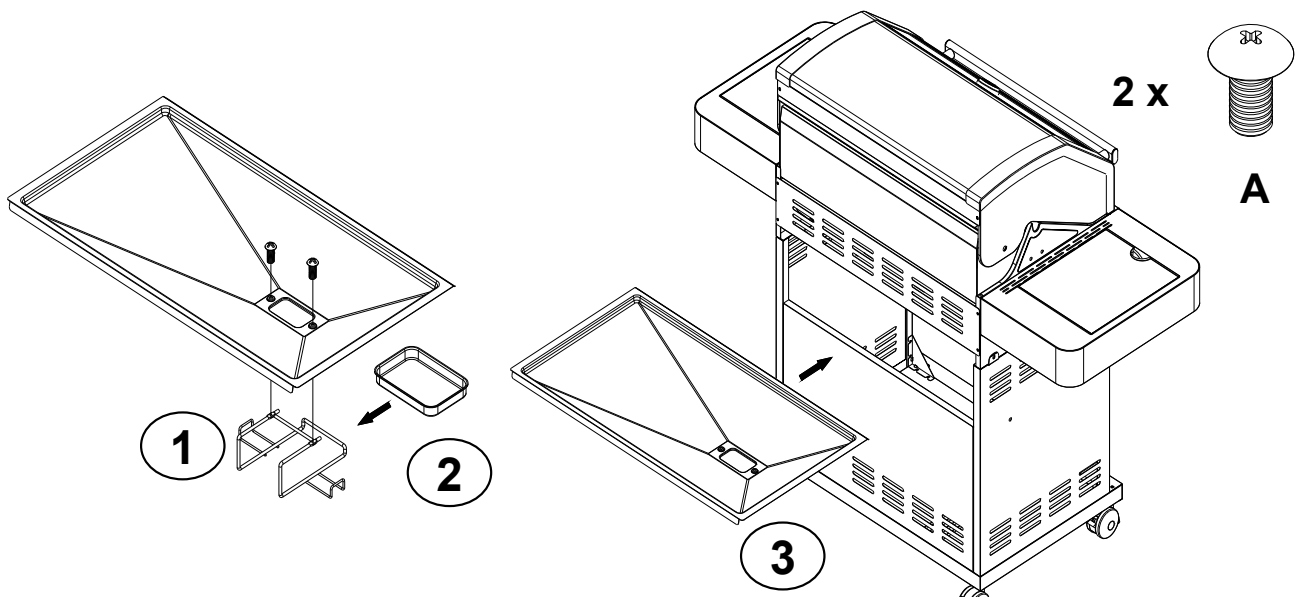
3. Ponga la Pieza No.51 en la Pieza C. (Figura 16.2)

4. Luego introduzca la puerta presionando el eje flexible hacia arriba.

**Figura 16.1**

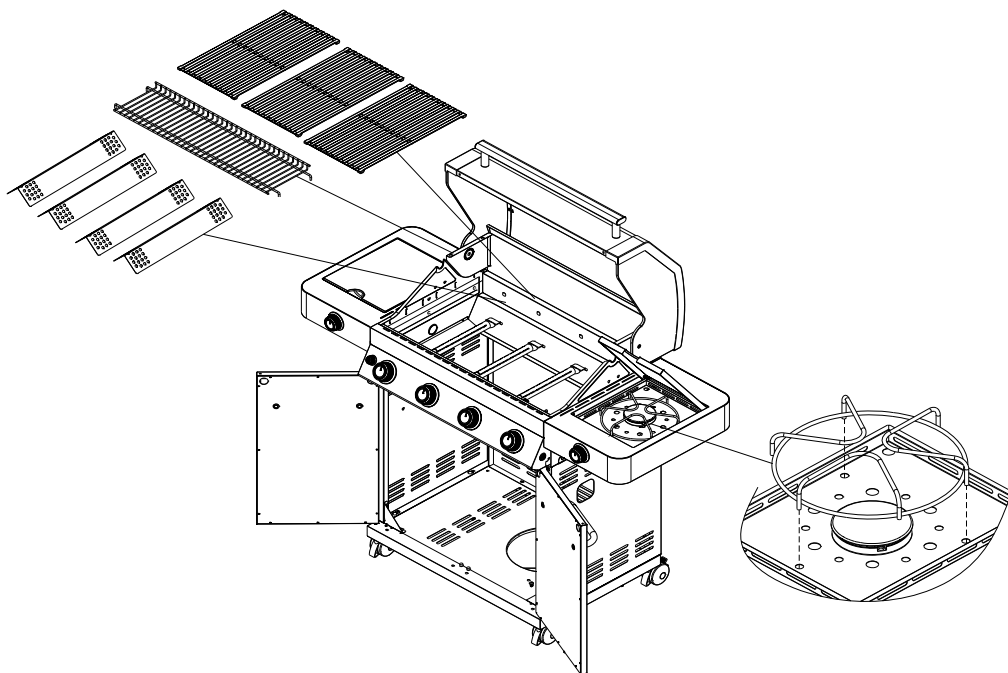
**Figura 16.2**

**Figura 16.3**



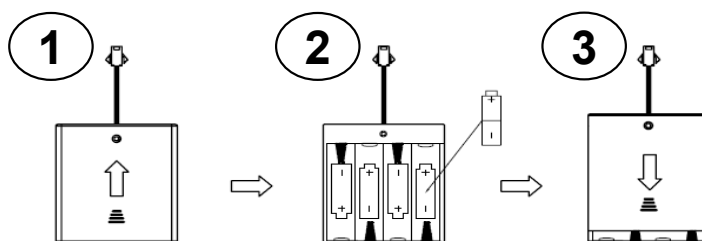
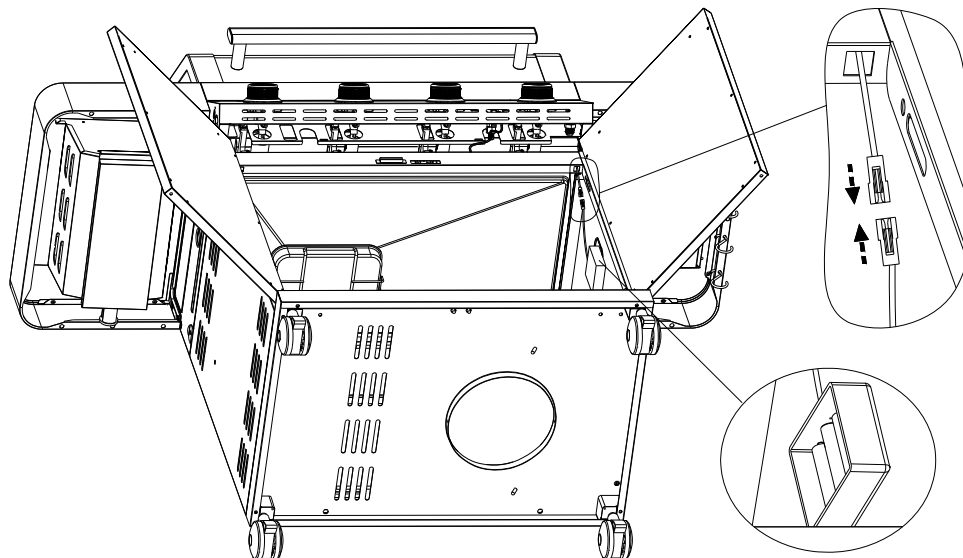
1. Instale la Pieza No. 14 en la Pieza No. 16 con dos tornillos A.
2. Ponga la Pieza No.15 en la Pieza No.14.
3. Coloque la bandeja de grasa en el cuerpo de la parrilla.

**Figura 17**



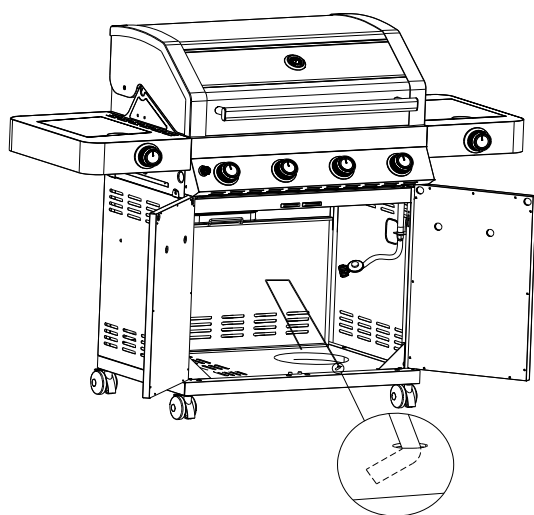
Ponga la Pieza No. 7, Pieza No. 8,  
y Pieza No. 9 en los lugares correspondientes

**Figura 18**



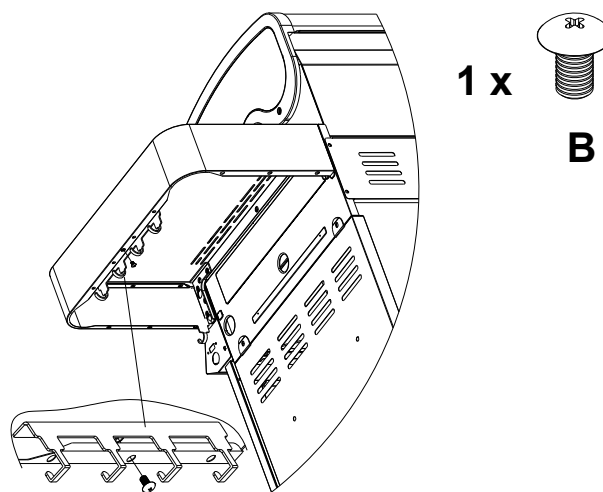
Conecte la Pieza No. 54 en la Pieza No.41.

**Figura 19**



- 1) inserte la Pieza No.48 en la placa inferior.(Figura 20.1)
- 2) Instale la Pieza No.26 en la placa lateral.(Figura 20.2)

**Figura 20.1**



**Figura 20.2**



### Conexión del tanque de gas LP a LP Grill

1. Coloque el anillo de soporte del tanque de 20 lb. en el orificio del panel inferior. Asegúrese de que la válvula del tanque esté en la posición de APAGADO. (Fig.22).

2. Revise la válvula del tanque para asegurarse de que tenga las roscas de acoplamiento externas adecuadas para ajustarse al conjunto de la manguera y el regulador que se le proporcionan.

3. Asegúrese de que todas las válvulas del quemador estén en posición de APAGADO.

4. Inspeccione el puerto de conexión de la válvula y el conjunto del regulador. Busque daños o escombros. Retire cualquier suciedad. Inspeccione la manguera para asegurarse que no tenga daños. Nunca use equipo dañado o tapado.

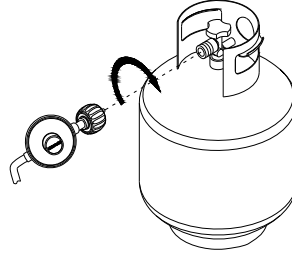
5. Al conectar el conjunto del regulador y la manguera a la válvula del tanque, apriete la tuerca de acoplamiento rápido en el sentido de las manecillas del reloj hasta el tope (Fig.21). No use una llave para apretar, ya que podría dañar la tuerca de acoplamiento rápido y provocar una situación peligrosa.

6. Abra la válvula del tanque por completo (en contra de las manecillas del reloj). Use una solución de agua jabonosa para verificar si hay fugas en todas las conexiones antes de intentar encender su parrilla. Si se encuentra una fuga, apague la válvula del tanque y no use su asador hasta que se repare la fuga.

**PRECAUCIÓN:** cuando el electrodoméstico no esté en uso, el gas debe estar apagado en el tanque de suministro.

Figura 21

Conexión del Regulador

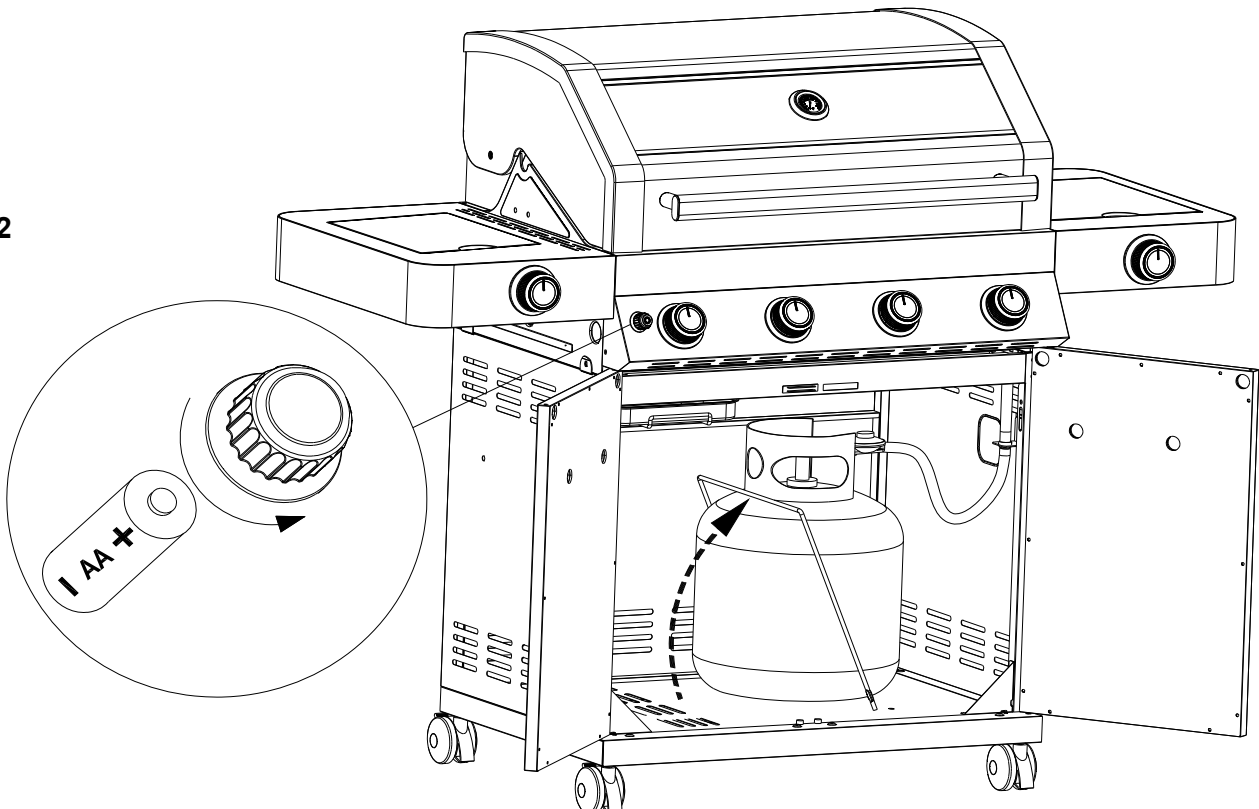


### Felicitaciones

Su asador con parrilla de gas ahora está listo para usarse. Antes del primer uso y al comienzo de cada temporada (y siempre que el tanque de gas LP haya sido cambiado):

1. Lea todas las instrucciones de seguridad, encendido y operación.
2. Revise los orificios de las válvulas de gas, los tubos del quemador y los orificios del quemador en busca de obstrucciones.
3. Realice la verificación de fugas de gas de acuerdo con las instrucciones que se encuentran en la página siguiente del manual.

Figura 22

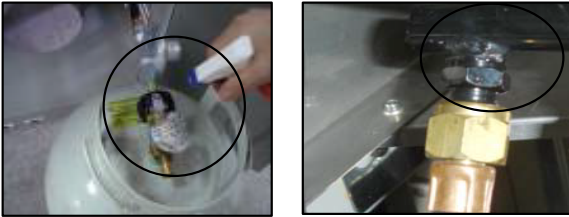


## Revisión de fugas de gas LP

Nunca revise las fugas con una llama. Antes del primer uso, al comienzo de cada temporada o cada vez que cambie el tanque de gas LP, debe verificar si hay fugas de gas.

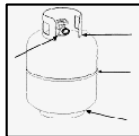
1. Haga una solución de jabón suave 50/50 (jabón/agua).
2. Gire las perillas de control a la posición de APAGADO total; luego encienda el gas en el tanque de suministro.
3. Aplique la solución de jabón con un cepillo limpio a todas las conexiones de gas. Vea abajo. Si aparecen burbujas crecientes en la solución, las conexiones no están selladas adecuadamente. Revise cada accesorio y apriete o repare según sea necesario.

### Revisión de Fugas de Conexión de Gas



4. Si tiene una fuga en la conexión de gas que usted no pueda reparar, apague el gas en el tanque de suministro, desconecte la línea de combustible de su asador y llame al 1-800-530-9133 ó a su proveedor de gas para asistencia de reparación.
5. También aplique una solución jabonosa a las costuras del tanque. Vea abajo. Si aparecen burbujas crecientes, cierre el tanque y ¡no lo use ni lo mueva! Póngase en contacto con un proveedor de gas LP o con su departamento de bomberos para obtener asistencia.

Revisión de Fugas del Tanque de Gas



## Instrucciones de Encendido de Parrilla

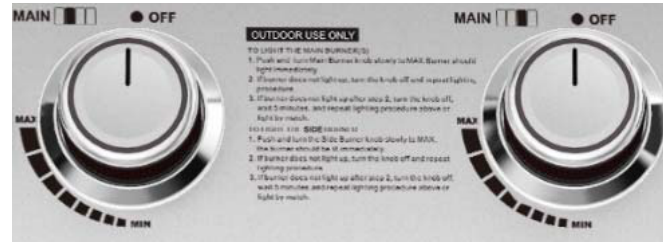
### Instrucciones de Encendido de la Parrilla para Quemadores Principales

1. No fume mientras enciende la parrilla o revisa las conexiones de suministro de gas.
2. Asegúrese de que el tanque de gas LP esté suficientemente lleno.
3. Asegúrese de que todas las conexiones de gas estén bien ajustadas.
4. Encienda el suministro de gas
5. Abra la tapa principal de la parrilla y la tapa del quemador lateral.
6. Presione y gire la perilla del quemador principal a la posición ENCENDER/MÁXIMO (IGNITE/HI), al mismo tiempo, presione y mantenga presionado el botón de encendido electrónico durante 3 a 5 segundos para encender el quemador.



### ADVERTENCIA

Si no se abre la tapa de la parrilla durante el proceso de encendido, podría producirse un incendio o explosión que podría causar lesiones corporales graves, la muerte o daños a la propiedad.



7. Para encender los quemadores, presione y gire la(s) perilla(s) del quemador hasta ENCENDER/MÁXIMO. Al mismo tiempo, presione y mantenga el botón de encendido electrónico de 3 a 5 segundos para encender el quemador. Ajuste la(s) perilla(s) al nivel deseado.
8. Si el quemador no se enciende después de 5 segundos, gire la perilla a la posición de ENCENDIDO. Apague el gas en el tanque de LP y espere 5 minutos para que el gas se disipe. Luego, encienda el gas en el tanque y repita el paso
9. Si el quemador aún no se enciende, consulte la sección Encendido con Cerillos/Fósforos y la sección "Si la Parrilla Aún No Enciende" en la página siguiente.

### USO DEL QUEMADOR LATERAL

Inspeccione la manguera de suministro de gas antes de encender el gas. Si hay evidencia de cortes, desgaste o abrasión, debe reemplazarse antes de su uso. No use el quemador lateral si el olor a gas está presente.

**ADVERTENCIA: Mantenga siempre la cara y el cuerpo lo más lejos posible del quemador cuando lo esté encendiendo**

### INSTRUCCIONES PARA ENCENDER EL QUEMADOR LATERAL

1. Abra completamente la tapa del quemador lateral.
2. Empuje y gire la perilla del quemador lateral a la posición ENCENDER/MÁXIMO. Al mismo tiempo, mantenga presionado el botón de encendido electrónico durante 3 a 5 segundos para encender el quemador.
3. Si el quemador lateral no se enciende después de 5 segundos, gire la perilla a la posición de APAGADO. Apague el gas en el tanque de LP y espere 5 minutos para que el gas se disipe. Luego encienda el gas en el tanque y repita el paso 2.
4. Si el quemador aún no se enciende, consulte las secciones de "Encendido con Cerillos/Fósforos" y "Si la Parrilla Aún No Enciende" en la página siguiente.





## ADVERTENCIA

**Nunca** se incline sobre el área de cocción de la parrilla mientras enciende su asador con parrilla de gas. Mantenga la cara y el cuerpo a una distancia segura (al menos 18 pulgadas) de la superficie de la parrilla de cocción cuando encienda la parrilla con cerillos/fósforos.

### Encender Manualmente Su Parrilla con Cerillos/Fósforos

1. Tome la palanca de encendido manual.
2. Inserte un cerillo/fósforo en el palo de encendido.
3. Siga los pasos 1 a 5 del Procedimiento básico de encendido.
4. Encienda el cerillo y extienda la varilla de encendido a la superficie de la rejilla de cocción.
5. Gire la perilla de control a la posición MÁXIMO/ esta es la posición para liberar el gas. El quemador debe encenderse inmediatamente.



## ADVERTENCIA

Si se produce un incendio de “RETROCESO DE LLAMAS” dentro o alrededor de los tubos del quemador, siga las instrucciones que se presentan a continuación. El incumplimiento de estas instrucciones puede provocar un incendio o explosión que podría causar lesiones corporales graves, la muerte o daños a la propiedad.

- Cierre el suministro de gas a la parrilla de gas.
- Gire los mandos de control a la posición de APAGADO.
- Apague cualquier llama con un extintor de fuego adecuado.
- Abra la tapa del asador.
- Una vez que el asador se haya enfriado, limpie los tubos del quemador y los quemadores de acuerdo con las instrucciones de limpieza que se encuentran en la página 21.

### Si la Parrilla Aún No Enciende

1. Revise el suministro de gas y las conexiones en busca de fugas. Asegúrese de que todas las conexiones de cables sean seguras.

2. Repita el procedimiento básico de encendido. Si su parrilla aún no funciona, apague el gas en la fuente, gire las perillas de control a la posición de APAGADO, luego verifique lo siguiente:

- Desalineación de los tubos del quemador sobre los orificios  
**Corrección:** vuelva a colocar los tubos del quemador sobre los orificios.

- Obstrucción en la línea de gas

**Corrección:** Retire la línea de combustible de la parrilla. ¡No fume! Abra el suministro de gas durante 1 segundo para despejar cualquier obstrucción de la línea de combustible. Cierre el suministro de gas en la fuente y vuelva a conectar la línea de combustible a la parrilla.

- Orificio tapado

**Corrección:** retire los quemadores de la parrilla, levante con cuidado cada quemador y retírelos del orificio de la válvula de gas. Retire el orificio de la válvula de gas y limpie suavemente cualquier obstrucción con un alambre fino. Luego vuelva a instalar todos los orificios, quemadores y componentes de cocción.

3. Si se sospecha de una obstrucción en las válvulas de gas, llame al servicio de reparación al 1-800-530-9133.

4. Si la parrilla todavía no se enciende, es posible que deba purgar el aire de la línea de gas o restablecer el dispositivo de exceso de flujo de gas del regulador.

**Nota:** Este procedimiento debe realizarse cada vez que conecte un nuevo tanque de gas LP a su parrilla.

Para purgar el aire de su línea de gas y/o restablecer el dispositivo de flujo de gas en exceso del regulador:

- Gire la perilla de control a la posición de APAGADO.

- Apague el gas en la válvula del tanque.

- Desconecte el regulador del tanque de gas LP.

- Deje reposar la unidad durante 5 minutos.

- Vuelva a conectar el regulador al tanque de gas LP.

- Abra la válvula del tanque lentamente a una apertura de  $\frac{1}{4}$  a  $\frac{1}{2}$ .

- Abra la tapa del asador.

- Coloque las perillas de control en la posición de APAGADO. Presione y gire cualquier perilla de control a ALTO.

- Gire las perillas de control a ALTO hasta que todos los quemadores estén encendidos.

- Puede comenzar a usar el asador

5. Si se han realizado todos los controles o correcciones y usted aún tiene preguntas sobre el funcionamiento de su asador de gas, llame a la **Línea de Atención**

## Limpeza y Mantenimiento

Para garantizar una unidad de trabajo adecuada, se sugiere el siguiente cuidado y mantenimiento.

### Limpeza de las parrillas de cocinar

Le sugerimos que lave sus rejillas de cocción en una solución de jabón suave y agua tibia. Puede usar un paño o un cepillo suave para limpiar sus rejillas de cocción.

### Limpeza de Difusores de Calor

Usted debe lavar de manera periódica los difusores de calor en una solución de jabón y agua tibia. Use un cepillo suave para eliminar los residuos de cocción quemados difíciles de remover. Los difusores de calor deben estar secos antes de volver a instalarse.

### Limpeza de la Bandeja de Grasa

La bandeja de grasa debe vaciarse y limpiarse periódicamente y lavarse con un detergente suave y una solución de agua tibia. Se puede colocar una pequeña cantidad de arena o arena para gatos en el fondo de la bandeja de grasa para absorber la grasa. Revise la bandeja de grasa con frecuencia, no permita que se acumule exceso de grasa y se desborde fuera de la bandeja de grasa.

### Limpeza Anual del Interior del Asador

Queimar el asador después de cada uso lo mantendrá listo para su próximo uso. Sin embargo, una vez al año, debe darle una limpieza completa a todo el asador para mantenerlo en las mejores condiciones de funcionamiento. Siga estos pasos.

1. Gire todas las válvulas del quemador a la posición de APAGADO total.
2. Gire la válvula del tanque de gas LP a la posición de APAGADO total.
3. Separe la manguera de gas LP y el conjunto del regulador de su asador de gas. Inspeccione si hay daños y reemplace según sea necesario con el número de pieza de repuesto del fabricante que se encuentra en la lista de piezas.
4. Retire y limpie los difusores de calor, las rejillas de cocción y los quemadores de la parrilla.
5. Cubra cada orificio de la válvula de gas con papel de aluminio.
6. Cepille el interior y la parte inferior del asador con un cepillo de nylon y lave con un jabón suave y una solución de agua tibia. Enjuague bien y deje secar.
7. Retire el papel de aluminio, luego vuelva a instalar los difusores de calor y las rejillas de cocina.
8. Vuelva a conectar la fuente de gas y observe la llama del quemador para un funcionamiento correcto.

### Limpeza de la Superficie Exterior

•Le sugerimos que lave el asador con un jabón suave y una solución de agua tibia. Puede usar un paño o una esponja para este proceso. No use abrasivos o un cepillo que pueda eliminar el acabado durante el proceso de limpieza.

### Limpeza Exterior de las Superficies de Acero Inoxidable

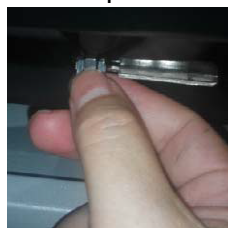
•La intemperie y el calor extremo pueden hacer que las superficies exteriores de acero inoxidable se vuelvan de color tostado. Los aceites de máquina utilizados en el proceso de fabricación de acero inoxidable también pueden causar este color bronceador. Use un limpiador de acero inoxidable para pulir las superficies de acero inoxidable de su parrilla. Nunca use limpiadores o depuradores abrasivos porque rayarán y dañarán su asador.

### Limpeza de los Tubos del Quemador y los Puertos del Quemador

Para reducir la posibilidad de “RETROCESO DE LLAMAS”, se debe seguir el siguiente procedimiento al menos una vez al mes a fines del verano o principios del otoño cuando las arañas están más activas o cuando la parrilla no se ha utilizado por un período.

1. Gire todas las válvulas del quemador y la válvula del tanque de gas a la posición de apagado.
2. Separe el conjunto del regulador de gas LP de su parrilla a gas.
3. Retire las parrillas de cocción, los difusores de calor y la bandeja de grasa de la parrilla.
4. Retire los tornillos de la parte inferior de cada quemador y levante los quemadores y aléjelos del orificio de la válvula de gas.
5. Con un alambre rígido doblado en forma de gancho, manguera de aire o un cepillo para botellas, hágalo pasar a través del tubo del quemador y adentro varias veces para eliminar cualquier residuo.
6. Reemplace los quemadores, vea la ilustración a continuación.

Step 1



Step 2



Step 3



### ADVERTENCIA

La ubicación del tubo del quemador con respecto al orificio es vital para una operación segura. Verifique que el orificio esté dentro del tubo del quemador antes de usar el asador con parrilla de gas. Si el tubo del quemador no cabe sobre el orificio de la válvula, encender el quemador puede causar una explosión y/o un incendio.



Independientemente del procedimiento de limpieza del quemador que usted utilice, le recomendamos que también complete los siguientes pasos para ayudar a prolongar la vida útil del quemador.

1. Use una almohadilla de fibra o un cepillo de nylon para limpiar toda la superficie exterior de cada quemador hasta que quede libre de residuos de comida y suciedad.
2. Limpie cualquier puerto obstruido con un cable rígido, como un clip de papel abierto.

3. Inspeccione cada quemador para detectar daños (grietas o agujeros) y, si se encuentran dichos daños, solicite e instale un nuevo quemador. Después de la instalación, verifique que los orificios de las válvulas de gas estén colocados correctamente dentro de los extremos de los tubos del quemador.



### ADVERTENCIA

Las arañas y los insectos pueden anidar dentro de los quemadores de la parrilla e interrumpir el flujo de gas. Esta condición muy peligrosa podría provocar un incendio detrás del panel de la válvula, lo que dañaría al asador y lo haría inseguro para el funcionamiento.

## Solución de Problemas

### ANTES DE LLAMAR AL DEPARTAMENTO SERVICIO

Si el asador no funciona correctamente, use la siguiente lista de verificación antes de llamar al servicio técnico.

Usted debe inspeccionar los quemadores por lo menos una vez al año o inmediatamente después de que ocurra cualquiera de las siguientes condiciones:

PROBLEMAS	QUÉ HACER
La parrilla no se enciende cuando se gira la perilla de control.	<p>Verifique si el tanque de LP está vacío.</p> <p>Limpie los cables y/o el electrodo frotando con alcohol y un hisopo limpio.</p> <p>Limpie con un paño seco.</p> <p>Asegúrese de que el cable esté conectado al ensamblaje del electrodo.</p> <p>¿Funcionan otros quemadores en la unidad?</p> <p>Verifique si otros quemadores operan. Si es así, revise el orificio de gas en el quemador que no funciona bien para ver si existe alguna obstrucción.</p>
La llama del quemador es amarilla o naranja, en combinación con el olor a gas.	<p>Consulte la sección de Limpieza de los Tubos del Quemador y los Puertos del Quemador en la página 21</p>
Baja temperatura con la perilla en la posición "HI".	<p>¿La manguera de combustible está doblada o retorcida?</p> <p>¿Está el asador en un área polvorienta?</p> <p>¿Hay suficiente suministro de gas disponible?</p> <p>Si sólo hay un quemador que parece estar bajo, ¿Es necesario limpiar el orificio o el quemador?</p> <p>¿Está bajo el suministro de gas o la presión por debajo de los niveles adecuados?</p>

## Instrucciones de Cocción



### ADVERTENCIA

**No deje el asador desatendido.**

**Su asador se pondrá muy caliente.** Nunca se incline sobre el área de cocción mientras usa su parrilla. No toque las superficies de cocción, la carcasa del asador. La tapa del asador o cualquier otra parte del asador mientras el asador esté en funcionamiento, o hasta que el asador se haya enfriado después de su uso. El incumplimiento de estas instrucciones puede ocasionar lesiones corporales graves.

### Quemar el Asador

Antes de cocinar en su asador de gas por primera vez, usted querrá “quemar” el asador para eliminar cualquier olor o materia extraña. Simplemente encienda los quemadores, baje la tapa y opere el asador en el ajuste ALTO durante 3 a 5 minutos.

### Temperaturas de Cocción

**Ajuste Alto:** Sólo use esta configuración para calentamiento rápido, dorar filetes o chuletas a fuego vivo y para quemar y eliminar restos de comida de la parrilla después de que se complete la cocción.

**Nunca** use el ajuste ALTO para cocción extendida.

**Ajustes Medios-Bajos:** La mayoría de las recetas especifican ajustes medianos a bajos, incluidos todos los procedimientos de ahumado, rostizado y cocción de cortes magros como el pescado.

**NOTA:** Los ajustes de temperatura variarán con la temperatura y la cantidad de viento fuera de su hogar.

### Cocción Directa

El método de cocción directa se puede utilizar con las rejillas de cocción suministradas y colocando los alimentos directamente sobre los quemadores de la parrilla encendidos. **La cocción directa requiere que la tapa de la parrilla esté arriba.** El método es ideal para dorar a fuego vivo y siempre que quiera que la carne, las aves de corral o el pescado tengan sabor a barbacoa a fuego abierto. La fritura profunda y el ahumado también se cocinan mejor de esta manera porque requieren calor directo.



### ADVERTENCIA

No forre la parte inferior de la carcasa del asador con papel de aluminio, arena o cualquier sustancia que restrinja el flujo de grasa en la bandeja de la grasa. El incumplimiento de estas instrucciones puede provocar un incendio o una explosión que podría causar lesiones corporales graves, la muerte o daños a la propiedad.

### Cocción Indirecta

Para cocinar de forma **indirecta**, los alimentos deben colocarse en el lado izquierdo o derecho de la parrilla con el quemador encendido en el lado opuesto. **La cocción indirecta debe hacerse con la tapa hacia abajo.**

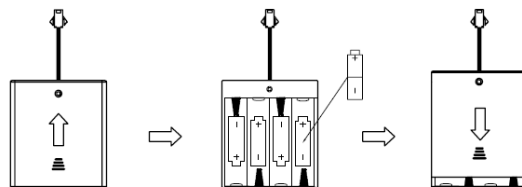
### Llamaradas

Las grasas y los jugos que gotean de los alimentos a la parrilla pueden causar llamaradas. Dado que las llamaradas imparten un sabor y un color favorables y distintivos a la comida cocida, cubren una llama abierta. Estas llamaradas son aceptables hasta cierto punto. Sin embargo, las llamaradas incontroladas pueden resultar en una comida arruinada.

### Reemplazar las Baterías

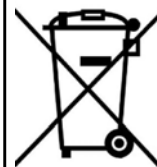
Si la luz LED no se enciende, las baterías deben ser reemplazadas. Para cambiar las baterías de la luz LED siga los siguientes pasos:

1. Abra la tapa para encontrar la caja de la batería.
2. Ponga 4 baterías “tamaño AA”, los polos positivos y negativos de la batería deben mantenerse en la misma posición que la que indica en la caja.
3. Cierre la tapa.



### Eliminación Apropiada de este Producto

Esta marca indica que este producto no debe eliminarse junto con otros desechos domésticos en toda la Unión Europea. Para evitar posibles daños al medioambiente o a la salud humana debido a la eliminación incontrolada de residuos, recíclelo responsablemente para promover la reutilización sustentable de los recursos materiales. Para devolver su dispositivo usado, use los sistemas de devolución y recolección o comuníquese con el vendedor donde compró el producto. Ellos pueden tomar este producto para un reciclaje ambiental seguro.



## Tabla de Cocción del Asador

**ADVERTENCIA:** Para garantizar que el consumo de los alimentos sea seguro, éstos deben cocinarse a las temperaturas internas mínimas detalladas en la tabla a continuación.

<b>Temperaturas Internas Mínimas Seguras, según el Departamento de Agricultura de los Estados Unidos (USDA, por sus siglas en inglés)</b>	
<b>Pescado</b>	<b>145 ° F</b>
<b>Cerdo</b>	<b>160 ° F</b>
<b>Platillos Preparados con Huevo</b>	<b>160° F</b>
<b>Filetes y Asados de Carne de Res, Ternera o Cordero</b>	<b>145° F</b>
<b>Carne Molida de Res, Ternera o Cordero</b>	<b>160° F</b>
<b>Aves Enteras (Pavo, Pollo, Pato, etc.)</b>	<b>165° F</b>
<b>Carne Molida o Piezas de Carne de Aves de Corral (Pechuga de Pollo, etc.)</b>	<b>165° F</b>

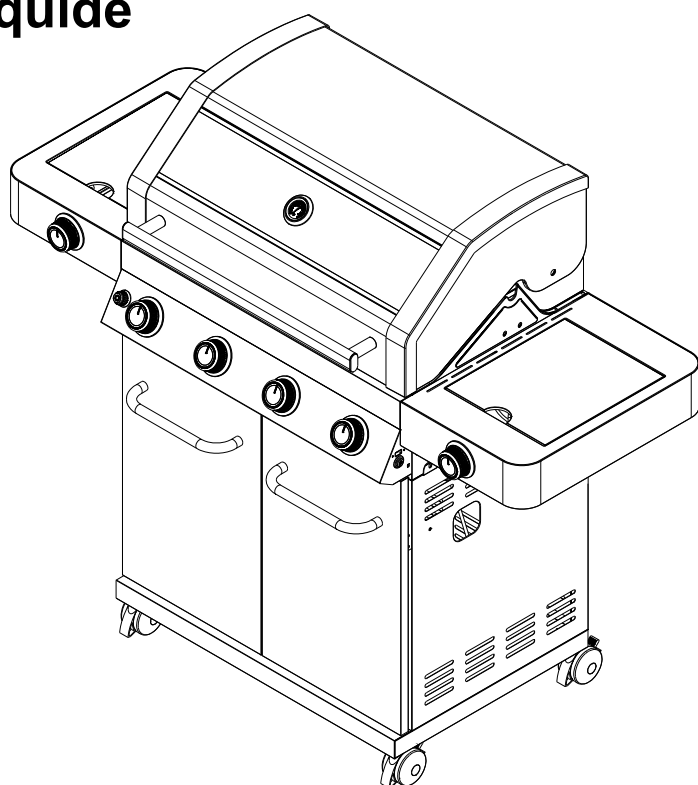
<b>ALIMENTO</b>	<b>Peso o Grosor</b>	<b>Temperatura</b>	<b>Tiempo de Cocción</b>	<b>Instrucciones especiales y consejos</b>
Vegetales	No Corresponde	Media	8 a 20 minutos	Rebanar o cortar verduras y salpicar con mantequilla o margarina. Envuelva bien en papel de aluminio de alta resistencia. Cocine a la parrilla girando ocasionalmente.
Papas	Toda la Pieza	Media	40 a 60 minutos	Envuelva individualmente en papel de aluminio de alta resistencia. Cocine girando ocasionalmente.
Carne/Filetes	1/2 a 3/4 pulgadas	Alta-Media	4 a 15 minutos	Precale la parrilla por 15-20 minutos y luego dore los filetes a fuego vivo en cada lado por dos minutos. Después, cocine a la parrilla de 3 a 5 minutos en cada lado o hasta el punto de cocción deseado.
Carnes Molidas	1/2 a 3/4 pulgadas	Media	8 a 15 minutos	Cocine a la parrilla girando una vez cuando los jugos suben a la superficie o hasta el punto de cocción deseado. No deje desatendidas las hamburguesas ya que podrían producirse llamaradas.
Costillas	1/2 o costillar completo	Media	20 a 40 minutos	Cocine a la parrilla girando ocasionalmente. Durante los últimos minutos cepille con salsa de barbacoa, gírelas varias veces.
Hot Dogs	No Corresponde	Media	5 a 10 minutos	Cocine a la parrilla girando cuatro veces. 2-4 minutos en cada uno de los cuatro lados.
Cortes de Aves de Corral	1/4 a 1/2 libras	Baja o Media	20 a 40 minutos	Cocine a la parrilla girando ocasionalmente. Durante los últimos minutos cepille con salsa de barbacoa si lo desea, gírelas varias veces.
Aves de Corral, Enteras	2 a 3 libras	Baja o	1 a 1 ½ horas	Use soporte para aves de corral y cepíllelas frecuentemente según lo desee
		Media	40 a 60 minutos	Use soporte para aves de corral y cepíllelas frecuentemente según lo desee
Pescado	3/4 a 1 pulgada	Media	8 a 15 minutos	Cocine a la parrilla girando una vez hasta obtener la cocción deseada. Cepille con mantequilla derretida, margarina o aceite.



# MODE D'ASSEMBLAGE ET D'EMPLOI



## Barbecue à gaz propane liquide



- Pièces
- Assemblage
- Règles de sécurité
- Utilisation et entretien
- Dépannage



### AVERTISSEMENT

Lire attentivement ce manuel de l'utilisateur et s'assurer que le barbecue à gaz est correctement assemblé, installé et entretenu. Le non-respect de ces consignes de sécurité peut provoquer des blessures et/ou des dommages matériels. Ce barbecue à gaz doit ne doit être utilisé qu'à l'extérieur et non pas dans des autocaravanes ou sur des bateaux..

### Remarque à l'intention de l'installateur

Laisser ce manuel du propriétaire auprès du consommateur après la livraison et/ou l'installation.

### Remarque à l'intention du consommateur

Ranger ce manuel du propriétaire dans un endroit commode pour consultation future.

### Service après-vente :

Pour commander des pièces, composer le :  
1-800-530-9133

N° de fabrication : 35633G

CUP : 856597007843

Vérifier que le dispositif de raccordement de la soupape de la bonbonne s'adapte correctement au dispositif de raccordement fixé au tuyau d'arrivée du régulateur de pression.

## Sommaire

Garantie-----	2
Consignes de sécurité -----	2~4
Liste du matériel -----	5
Schéma des pièces -----	6
Liste des pièces -----	7
Instructions d'assemblage-----	8~18
Instructions d'allumage-----	18~20
Nettoyage et entretien -----	21~22
Dépannage-----	22
Instruction de cuisson-----	23
Tableau de cuisson -----	24

## Garantie du barbecue

### Garantie totale d'un an du barbecue

Pour tout défaut matériel ou de fabrication du barbecue dans une période d'un an à compter de la date d'achat, appeler au 1-800-530-9133 pour prendre des arrangements concernant la réparation gratuite (ou le remplacement si la réparation s'avère impossible).

### Garantie limitée de 8 ans sur les brûleurs en acier inoxydable

Tout brûleur en acier inoxydable rouillé sera remplacé gratuitement pendant 3 ans à compter de la date d'achat. Après la première année suivant la date d'achat, l'acheteur devra assumer les frais de main-d'œuvre s'il souhaite faire installer les brûleurs.

La garantie n'inclut pas le remplacement des piles des allumeurs, la peinture, la décoloration ou la rouille des pièces qui sont des consommables pouvant s'user normalement pendant la période de garantie ou sous des conditions résultant d'une usure normale, d'un accident ou d'un entretien inapproprié.

La garantie sera annulée en cas d'utilisation commerciale ou locative du barbecue.

La garantie est applicable seulement si le barbecue est utilisé aux Amériques du Nord.

Cette garantie vous confère des droits particuliers ainsi que d'autres droits pouvant varier d'un État à l'autre.

La garantie n'est valable que pour l'acheteur original avec preuve d'achat de détaillants autorisés. Tout produit acheté d'occasion ou par le biais d'un détaillant non autorisé ne seront pas couverts par la garantie. Il incombe à l'acheteur de s'assurer que le détaillant est autorisé. Un achat sur Amazon ou autre détaillant du marché d'Internet de toute autre entité que Monument Grills

## Consignes de sécurité

### AVERTISSEMENT

Cette garantie vous confère des droits particuliers ainsi que d'autres droits qui peuvent varier d'un État à l'autre.

### AVERTISSEMENT

Le non-respect de ces instructions peut causer un incendie ou une explosion pouvant entraîner des blessures graves, voire mortelles, ou des dommages matériels.

### AVERTISSEMENT

**Le barbecue chauffe rapidement.** Ne jamais se pencher au-dessus de la surface de cuisson d'un barbecue pendant son utilisation. Ne pas toucher les surfaces de cuisson, le caisson, le couvercle ou les autres pièces du barbecue pendant son utilisation ou jusqu'à ce que le barbecue à gaz ait refroidi après utilisation.

**Le non-respect de ces instructions peut causer des blessures corporelles graves.**

### AVERTISSEMENT

1. **Ne pas entreposer ou utiliser de l'essence ou d'autres liquides ou gaz inflammables à proximité de cet appareil ou de tout autre équipement.**
2. **Une bonbonne de GPL non raccordée pour un usage ultérieur ne doit pas être entreposée à proximité de cet appareil ou de tout autre équipement.**

### DANGER

**Si -une odeur de gaz est perçue :**

1. **Fermer le gaz au niveau de l'appareil.**
2. **Éteindre toute flamme nue.**
3. **Ouvrir le couvercle.**
4. **Si l'odeur persiste, rester à l'écart de l'appareil et appeler immédiatement votre fournisseur de gaz ou les pompiers.**

### Codes d'installation du barbecue

L'installation doit être conforme aux règlements locaux ou, en l'absence de règlements locaux, au code national relatif aux gaz combustibles, ANSI Z 223.1/NFPA S4 le code d'installation des gaz naturel et propane, CSA B149.1 ou le code relatif à l'entreposage et la manipulation du gaz propane, B149.2, ou le code relatif aux autocaravanes, ANSI A 119.2 et pour autocaravanes de série CSA Z240 RV, tels qu'applicables.

Les modèles de barbecue à GPL sont conçus pour être utilisés avec une bonbonne standard de 9 kg (20 lb). La bonbonne de GPL n'est pas fournie avec le barbecue. Ne jamais raccorder votre barbecue à gaz à une

2 bonbonne de GPL d'une capacité supérieure.

## Consignes de sécurité

La taille maximale d'une bonbonne de gaz PL doit être d'environ 30,5 cm (12 po) de diamètre par 47 cm (18,5 po) de haut.

### La bonbonne de GPL doit être équipée d'un dispositif de trop-plein (D.T.P.).

Cette caractéristique de sécurité empêche le débordement de la bonbonne lors de son remplissage, ce qui peut causer un mauvais fonctionnement de la bonbonne de GPL, du régulateur et/ou du barbecue.

La bonbonne de GPL doit être construite et marquée selon les spécifications du Département américain des transports (DOT). Au Canada, la bonbonne de GPL doit être conforme à la norme nationale canadienne CAN/CSA – B339 pour le transport des cylindres, sphères et tubes de la Direction générale du transport des marchandises dangereuses.

1. La bonbonne de GPL doit être équipée d'une soupape de fermeture sécurisée avec une extrémité dotée d'une sortie de soupape pour bonbonne d'approvisionnement de GPL compatible avec un dispositif raccordement de type 1. La bonbonne de GPL doit également posséder un dispositif de sécurité doté d'un raccordement direct avec l'espace d'évacuation de la bonbonne.

2 Placer toujours la bonbonne de GPL en position verticale. Le système d'arrivée de la bonbonne doit permettre l'évacuation des gaz.

3. La bonbonne de GPL utilisée doit être pourvue d'une bague pour protéger la soupape de la bonbonne.

### Emplacement adéquat et distance de sécurité du barbecue

Ne **jamais** utiliser votre barbecue à gaz dans un garage, sous un porche, un abri, un passage couvert ou n'importe quel autre lieu fermé. Votre barbecue à gaz doit être utilisé **uniquement à l'extérieur**, en respectant un dégagement d'au moins 61 cm (24 po) depuis les côtés et l'arrière de toute surface combustible.

NE PAS utiliser cet appareil sous une surface combustible suspendue.

Ne pas bloquer la circulation de l'air ventilé autour du caisson du barbecue à gaz.

• Cet appareil de cuisson à gaz d'extérieur n'est pas destiné à être installé sur ou dans des autocaravanes et/ou des bateaux.

• Ne pas entreposer ou utiliser de l'essence, d'autres gaz ou liquides inflammables à proximité du barbecue à gaz d'extérieur.

• Ne pas bloquer la circulation de l'air en combustion et d'aération. Effectuer cette vérification avant chaque utilisation du barbecue.

• Ne **jamais** raccorder une bonbonne de GPL non homologuée à votre barbecue à gaz. Les éléments du régulateur de gaz fourni avec votre barbecue à gaz sont réglés pour une pression de sortie de 279 mm (11 po) de colonne d'eau (C.E.) pour un raccordement à une bonbonne de GPL.

Utiliser uniquement le régulateur et les éléments du tuyau fournis avec votre barbecue à gaz. Les régulateurs et les éléments du tuyau remplacés doivent être identiques à ceux précisés dans ce manuel.

- Faire remplir et inspecter à l'œil nu votre bonbonne de GPL par un fournisseur de gaz propane professionnel et - la faire certifier à chaque remplissage.
- Ne pas entreposer une bonbonne de GPL de rechange sous ou à proximité de l'appareil.
- Ne jamais remplir la bonbonne au-delà de 80 % de sa capacité. Le non-respect de ces consignes risque d'entraîner des blessures graves ou mortelles.
- Placer toujours la bonbonne de GPL en position verticale.
- Ne pas entreposer ou utiliser de l'essence ou d'autres gaz et liquides inflammables à proximité de ce - barbecue à gaz.
- Ne pas exposer la bonbonne de GPL à une chaleur excessive.
- Ne jamais entreposer une bonbonne de GPL à l'intérieur. Si votre barbecue à gaz est rangé dans un garage ou dans un lieu confiné, débrancher **toujours** la bonbonne de GPL et l'entreposer à l'extérieur dans un lieu- sûr.



- Placer le bouchon anti-poussière sur la soupape d'évacuation de la bonbonne quand elle n'est pas utilisée. Installer uniquement le type de protège-poussière fourni avec la soupape de la bonbonne. Les autres types de bouchons peuvent provoquer une fuite de propane.
- Les bonbonnes de GPL doivent être entreposées à l'extérieur dans un lieu bien ventilé et hors de portée des enfants. Les bonbonnes de GPL débranchées ne doivent pas être entreposées dans un immeuble, un garage ou n'importe quel autre lieu- fermé.
- Le gaz doit être fermé au niveau de la bonbonne d'approvisionnement chaque fois que votre barbecue à gaz n'est pas utilisé.
- Le régulateur de pression et les éléments du tuyau doivent être inspectés avant chaque utilisation du barbecue. En cas d'abrasion excessive, d'usure ou de coupure du tuyau, celui-ci doit être remplacé avant toute nouvelle utilisation du barbecue.
- Mettre le régulateur de gaz à l'écart des surfaces chaudes et de la graisse. Éviter de tortiller inutilement le tuyau. Inspectez à l'œil nu la présence d'éventuelles coupures, craquelures, usure excessive ou autres avaries sur le tuyau avant chaque utilisation. Si le tuyau semble endommagé, ne pas utiliser pas le barbecue à gaz.
- **Ne jamais** allumer votre barbecue à gaz avec le couvercle rabattu ou avant d'avoir vérifié que les brûleurs sont bien installés sur leur orifice.
- **Ne jamais** laisser des enfants utiliser le barbecue.



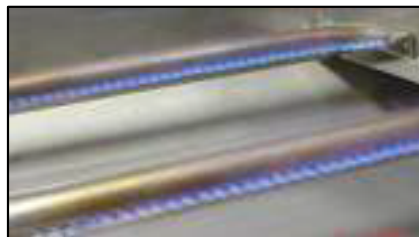
## AVERTISSEMENT

Une forte odeur ou un son sifflant de gaz indique la présence d'un problème grave avec le barbecue à gaz ou la bonbonne de GPL. Le non-respect des consignes ci-dessous peut causer un incendie ou une explosion -pouvant -entraîner -des -blessures -graves, voire mortelles, ou des dommages matériels.

- Fermer le gaz au niveau du barbecue.
- Mettre les boutons de commande à la position d'arrêt.
- Éteindre les flammes avec un extincteur d'incendie adéquat.
- Ouvrir le couvercle du barbecue.
- Se éloigner de la bonbonne de GPL.
- ne pas tenter de régler le problème soi-même.
- Si l'odeur persiste ou si un feu se déclenche qui ne peut être éteint rapidement, appeler les pompiers. Ne pas appeler à côté de la bonbonne de gaz, car le téléphone est un type d'appareil électrique et peut créer une étincelle pouvant causer un incendie et/ou une explosion.

**REMARQUE:** La circulation normale du gaz par le régulateur et les éléments du tuyau peut créer un ronronnement. Un bruit faible est parfaitement normal et n'interférera pas avec l'utilisation du barbecue. Si le ronronnement est fort et excessif, il sera peut-être nécessaire de purger l'air dans la ligne de gaz ou de réinitialiser le dispositif de régulation du gaz. Cette méthode de purge doit être effectuée chaque fois qu'une nouvelle bonbonne de GPL est raccordée au barbecue. Pour obtenir des renseignements concernant cette méthode, consulter la page -20, chapitre- 4 « -Si le barbecue ne s'allume pas

## Vérification de la flamme du brûleur



Vérifier à l'œil nu les flammes du brûleur avant chaque utilisation. Les flammes doivent ressembler à l'image, dans le cas contraire, consulter le chapitre sur le nettoyage des tubes et orifices du brûleur à la page 21 de ce manuel.

### ATTENTION!

Assurez-vous de nettoyer le dompteur de flamme / la grille de cuisson / le bac / le bac à graisse après chaque utilisation. Le non-respect de cette consigne peut entraîner un incendie ou une explosion pouvant causer des blessures graves, la mort ou des dégâts matériels.

## MISE EN GARDE : Attention au retour de flamme

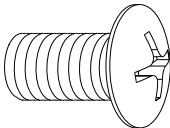
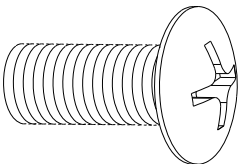
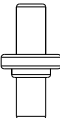

**PRÉCAUTION :** Des araignées et de petits insectes peuvent faire parfois leurs toiles ou leurs nids dans les tubes des brûleurs de ce barbecue lors de son transport et de son entreposage. Ces toiles peuvent obstruer la circulation du gaz. ce qui peut causer un incendie dans et autour des tubes des brûleurs. Ce type d'incendie est connu sous le nom de « RETOUR DE FLAMME » et peut endommager gravement le barbecue et créer une condition d'utilisation dangereuse pour l'utilisateur. Bien qu'un tuyau de brûleur obstrué ne soit pas la cause principale d'un « - "RETOUR DE FLAMME » - », elle- est la plus courante.

Pour réduire les risques de « RETOUR DE FLAMME », "il faut nettoyer les tubes des brûleurs avant d'assembler le barbecue et au moins une fois par mois vers la fin de l'été ou au début de l'automne- lorsque les araignées sont plus actives. Procéder aussi au nettoyage du tube du brûleur si le- barbecue n'a pas été utilisé depuis très- longtemps.

Voir le chapitre Nettoyage des tubes et orifices des brûleurs à la page 21

## Liste du matériel

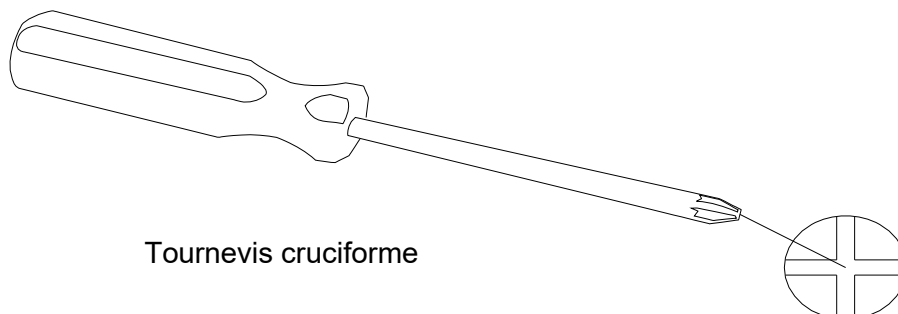
Le tableau suivant est une description du matériel. Il décrit les composants utilisés aux différentes étapes de l'assemblage.

A		5/32po-"x12mm	11 -pces
B		1/4 po"x15 mm	13 -pces
C			2 -pces
D		1/4' po'	4 -pces

## Outils nécessaires à l'assemblage

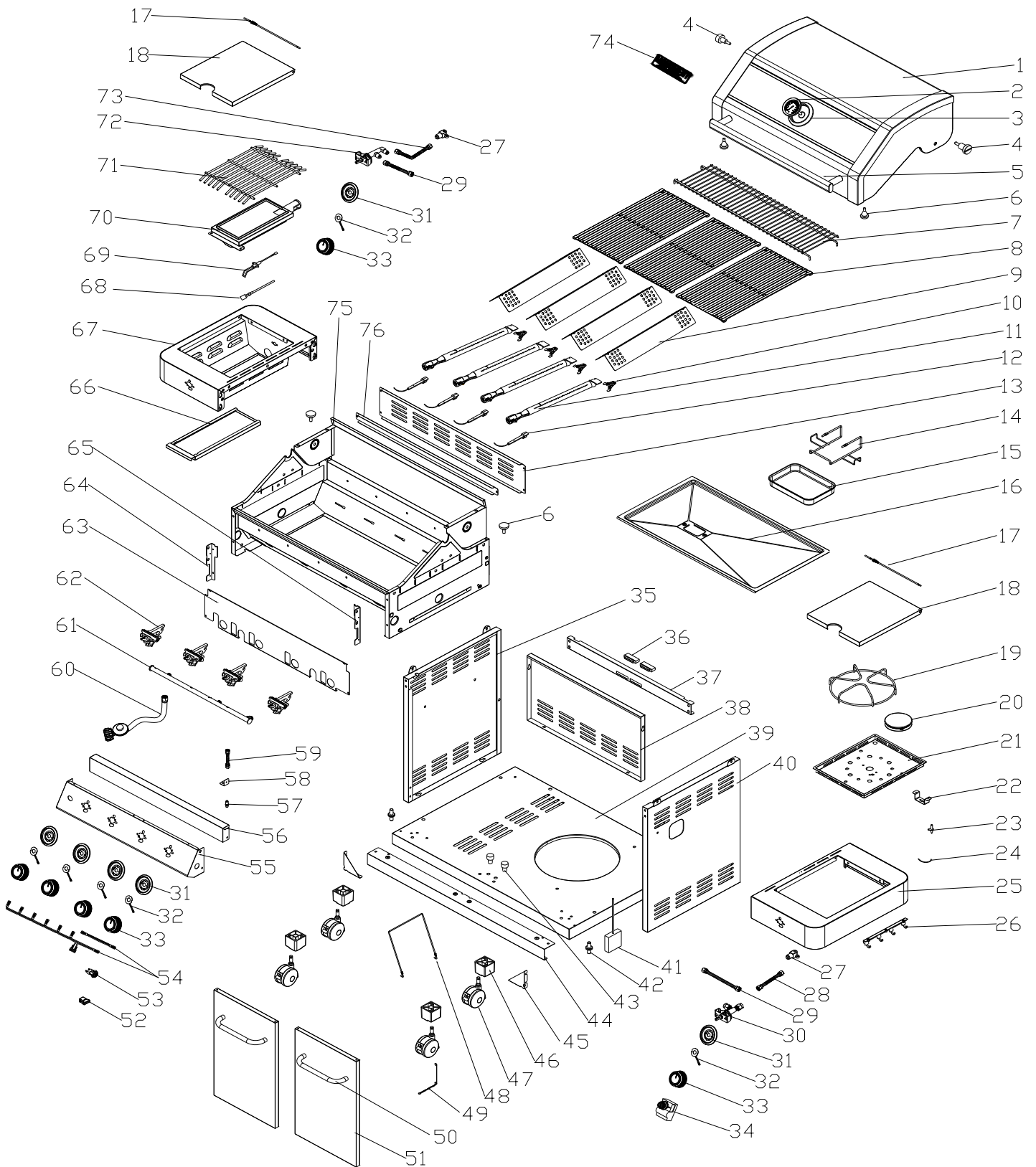
Tournevis cruciforme (non inclus).

Remarque : Les côtés gauche et droit de la grille sont à gauche et à droite en vous tenant face à l'avant du gril.



Tournevis cruciforme

# Schéma des pièces du modèle 35633G



## Liste des pièces du modèle 35633G

N°	Pièce (description)	qté	Code de matériel	N°	Pièce (description)	qté	Code de matériel
1	Couvercle principal	1	D010012906	40	Panneau latéral, droit	1	D010012903
2	Jauge de température	1	A0212824	41	Réceptacle à batterie	1	A0212663
3	Siège de jauge de température	1	A0212967	42	Broche sous le panneau de porte	2	A0212557
4	Vis du couvercle principal	2	A0407131	43	Vis d'écartement sous le panneau de porte	2	A02120079
5	Poignée du couvercle principal	1	D010010251	44	Bandeau cummerbund avant pour panneau inférieur du chariot	1	D010012063
6	Tampon pour capot	4	A0212666	45	Support triangulaire, gauche	2	D010012745
7	Grille chauffante	1	A0212856	46	Cheville pour roulette pivotante	4	A0212805
8	Grille de cuisson avec trous	3	A0212804	47	Roulette pivotante	4	A0211004
9	Dispositif de contrôle des flammes	4	D010012307	48	de fixation pour contenant de gaz	1	A0212837
10	Ressort de serrage	4	A0212873	49	Bâtonnet d'allumage	1	A02121323
11	Brûleur principal	4	A0212926	50	Poignée de porte	2	D010012747
12	Fil d'allumage du brûleur principal	4	D010012900	51	Porte avant	2	D010012094
13	Panneau arrière, supérieur	1	D010012737	52	Siège pour lampe à DEL-USB2.0	1	A02120032
14	Support du réceptacle à graisse	1	A0212838	53	Interrupteur de lampe à DEL	1	A0212627
15	Boîte à graisse	1	D010012705	54	Circuit lampe à DEL	1	D010013687
16	Plateau à graisse	1	D010021002	55	Panneau de commande principale	1	D010014390
17	Tige de charnière du couvercle du brûleur latéral	2	A0212534	56	Cadre du panneau de commande principal	1	D010012108
18	Couvercle du brûleur latéral	2	D010007598	57	Connecteur de gaz	1	A0212830
19	Grille de cuisson du brûleur latéral, droit	1	A0212248	58	Panneau de fixation pour connecteur de gaz	1	D010012298
20	Brûleur latéral, droit	1	A0212533	59	Conduite de gaz flexible du brûleur principal	1	A0212829
21	Plateau du brûleur latéral	1	D011006420	60	Régulateur, GPL	1	A0212831
22	Support à orifice du brûleur latéral	1	D019706920	61	Collecteur principal	1	A02120086
23	L'allumeur du brûleur latéral, droit	1	A0212436	62	Soupape principale du gaz	4	A0212862
24	Fil d'allumage du brûleur latéral, droit	1	A0212869	63	Défecteur avant	1	D010012052
25	Tablette latérale, droit	1	D010014389	64	Panneau de fixation pour panneau de commande, gauche	1	D010012050
26	Crochet	1	D010018023	65	Panneau de fixation pour panneau de commande, droit	1	D010012051
27	Orifice du brûleur latéral	2	A0212828	66	Réceptacle à graisse du brûleur I	1	D010012440
28	Conduite de gaz flexible du brûleur latéral,, 250	1	A020021	67	Tablette latérale, gauche	1	D010013689
29	Conduite de gaz flexible du brûleur latéral, 480	2	A02120090	68	Fil d'allumage du brûleur latéral, gauche	1	A0212870
30	Valve de gaz du brûleur latéral	1	A02120088	69	Allumeur du brûleur latéral, gauche	1	A0212871
31	Bouton de commande de base	6	D010012905	70	Brûleur latéral, gauche	1	A0212872
32	Panneau de lampe à DEL	6	A02120213	71	Grille de cuisson du brûleur latéral, gauche	1	A0212875
33	Bouton de commande	6	A02120817	72	Valve de gaz du brûleur latéral	1	A02120089
34	Module pour allumage à impulsions	1	A0212864	73	Conduite de gaz flexible du brûleur lateral, 650	1	A0201169
35	Panneau latéral, gauche	1	D010012742	74	Logo	1	A0212808
36	Aimant de porte	2	A0201249	75	Foyer	1	D010012655
37	Cadre du chariot, avant	1	D010012721	76	Panneau arrière, A	1	D010015501
38	Panneau arrière inférieur	1	D010012748		Manuel	1	C042179-A1
39	Panneau inférieur	1	D010012098		Quincaillerie	1	D010012753

Pour toute question concernant l'assemblage, composer le 1-800-530-9133

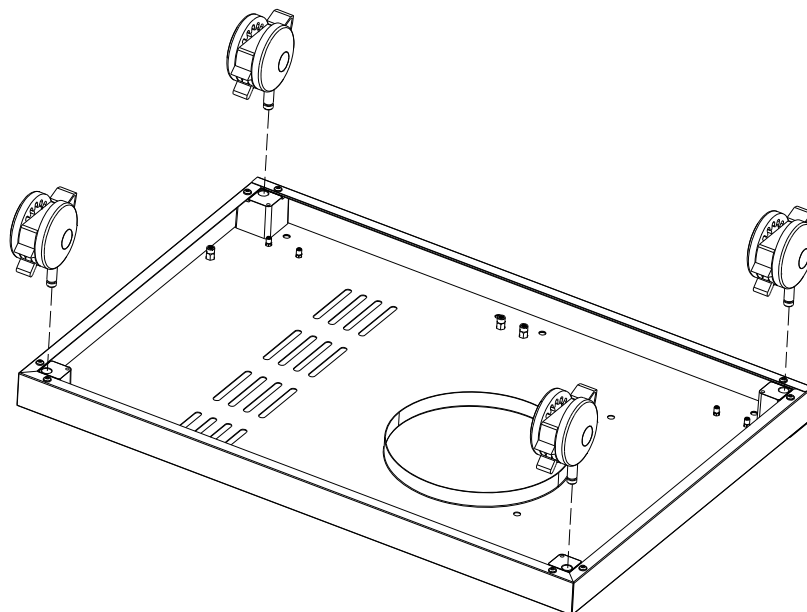
Pour s'assurer d'obtenir les bonnes pièces de rechange pour le barbecue à gaz, consulter les numéros de pièce sur cette page.

**Important:** Conserver ce manuel de l'utilisateur pour consultation future et pour le remplacement des pièces.

**Important:** Utiliser uniquement les pièces de la liste ci-dessus. Lors de la commande des pièces, fournir les renseignements suivants :

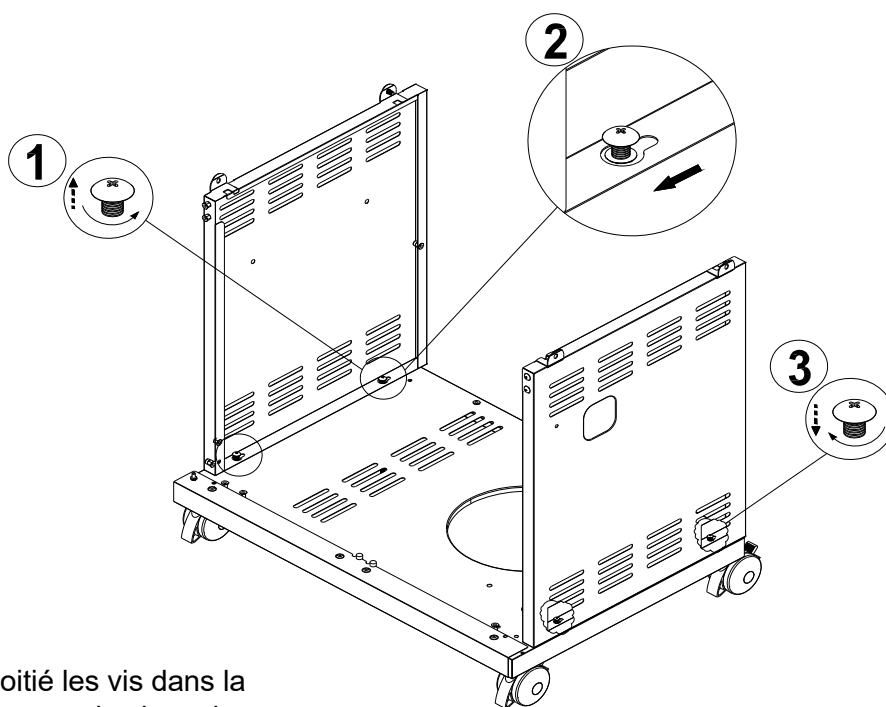
1. Numéro du modèle
2. Numéro de la pièce (voir le tableau à cet effet)
3. Description de la pièce.
4. Quantité de pièces nécessaires.

## Instructions d'assemblage



Insérer la pièce n° 47 dans la plaque inférieure

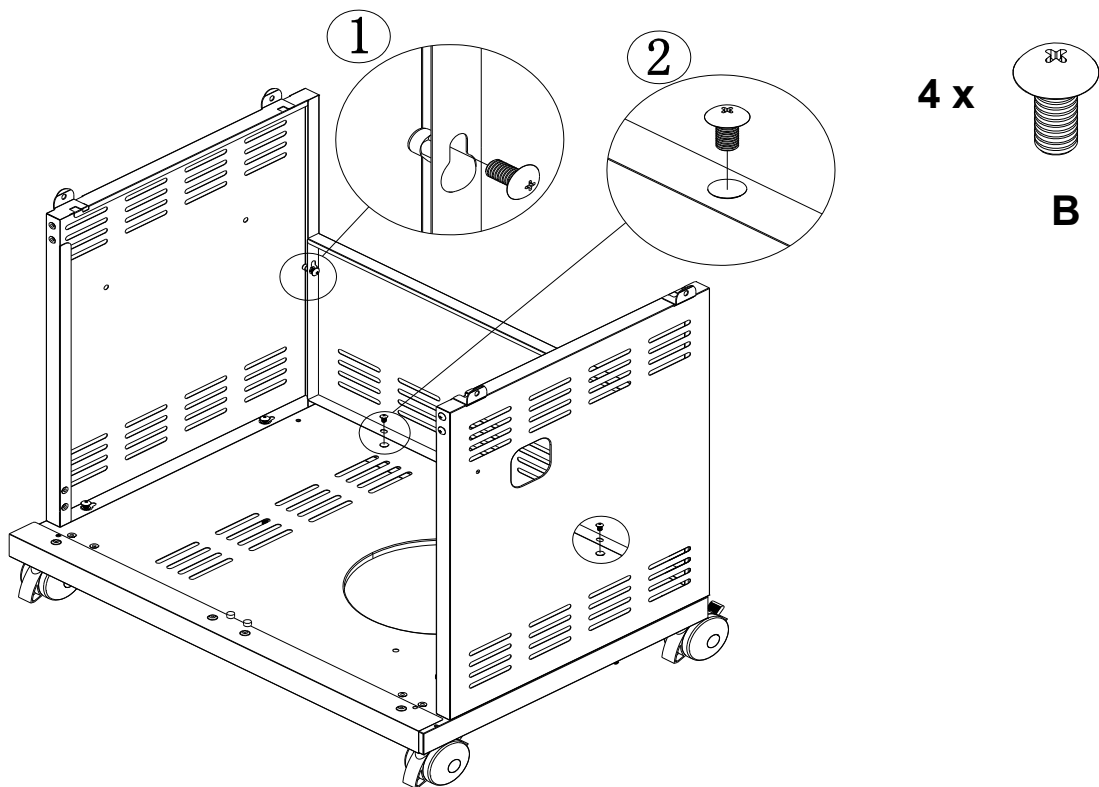
Figure 1



Dévisser à moitié les vis dans la plaque inférieure, puis placer les pièces n° 35 et 40 sur les trous de vis correspondants et serrer fermement.

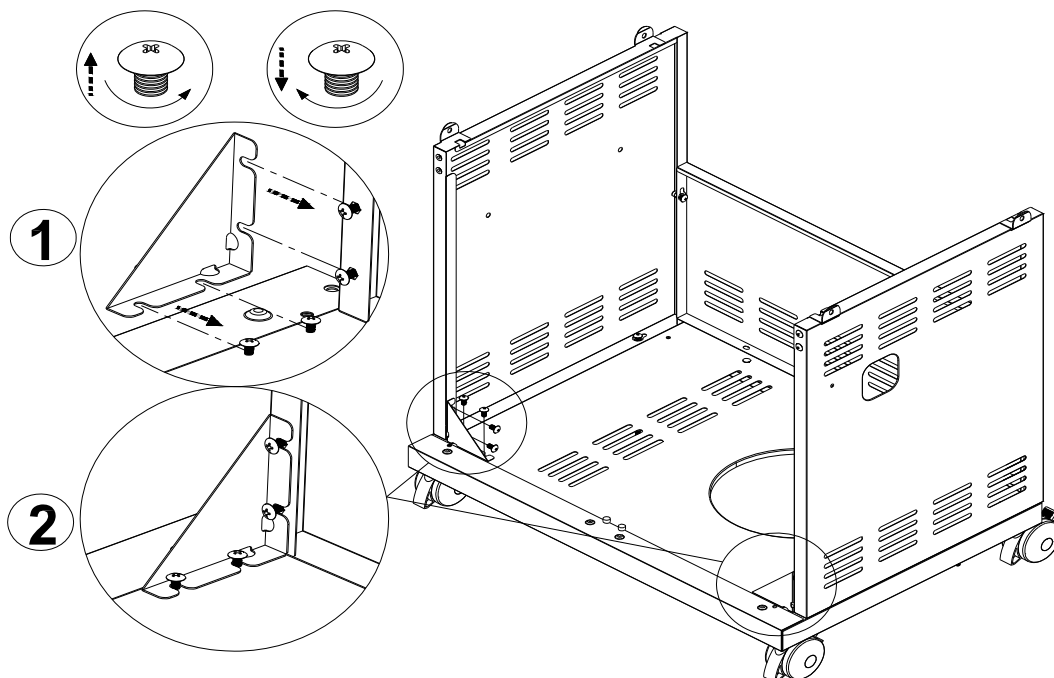
Figure 2





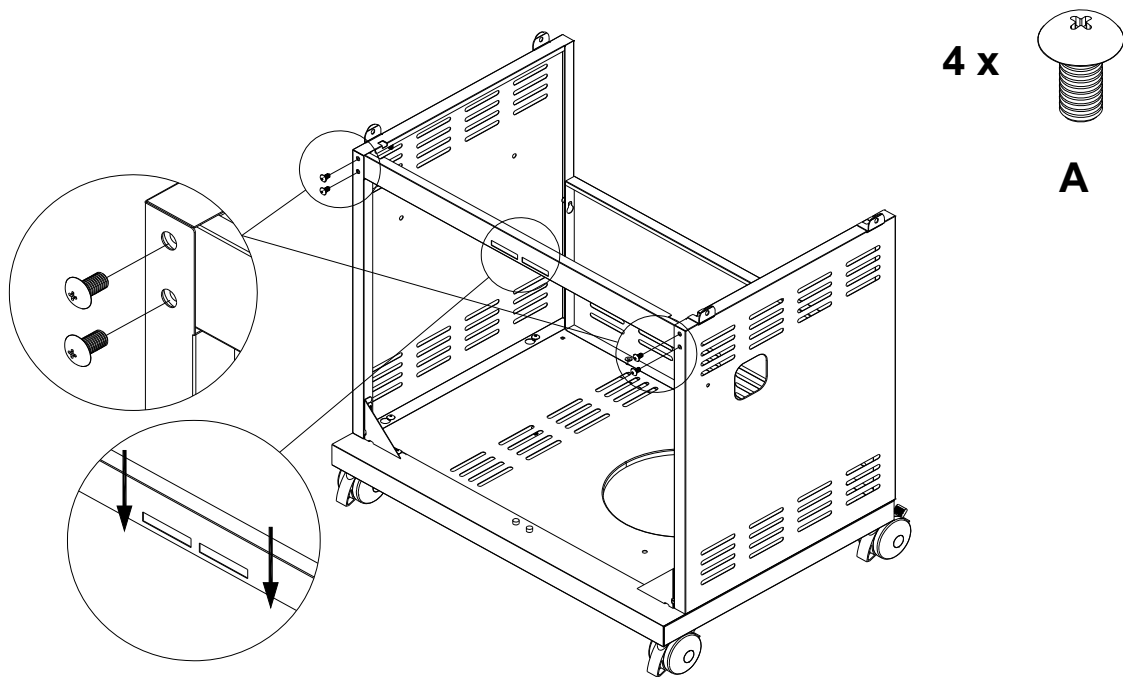
Installer la pièce N°.38 sur l'endroit approprié avec quatre vis B.

**Figure 3**



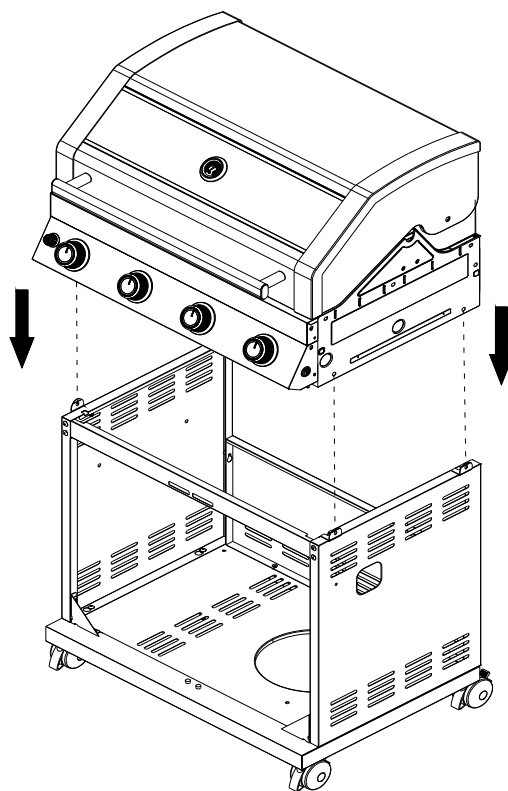
Dévisser à moitié les vis de la plaque inférieure et des plaques latérales, puis mettre la pièce n° 45 sur les trous de vis correspondants et serrer fermement.

**Figure 4**



Installer la pièce n° 37 à l'endroit appropriée avec quatre vis A. Attention : aimant vers le bas.

**Figure 5**



**Figure 6**

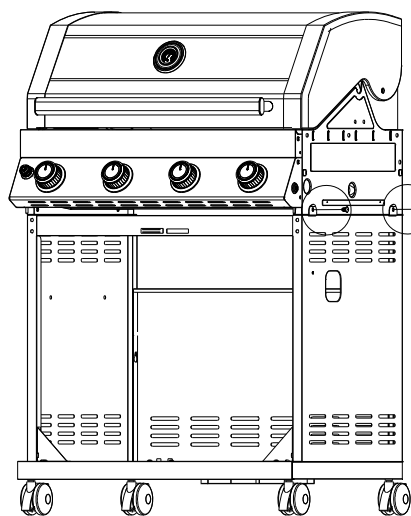


Figure 7.1

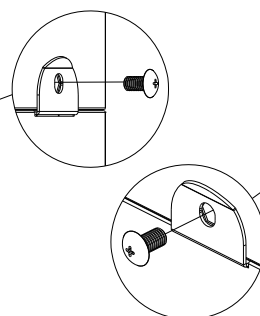


Figure 7.2

Serrer fermement la caisse du barbecue et le chariot avec quatre vis B.

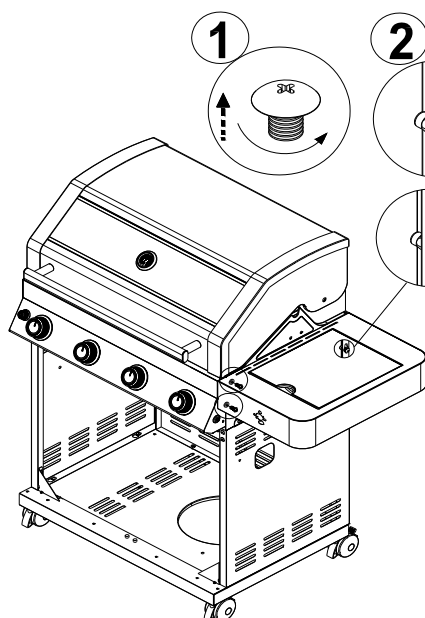


Figure 8.1

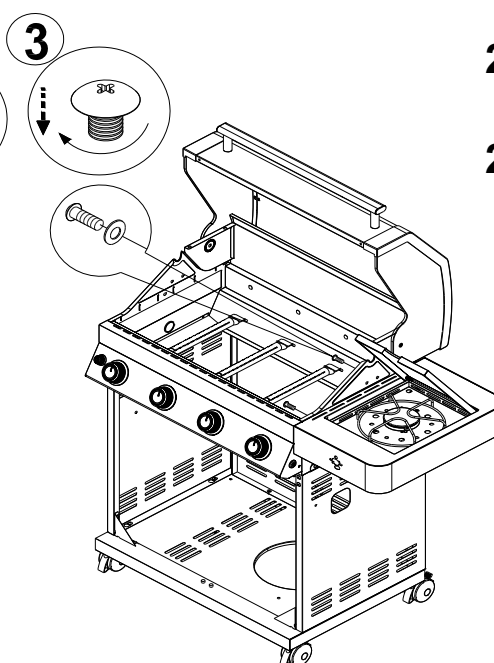
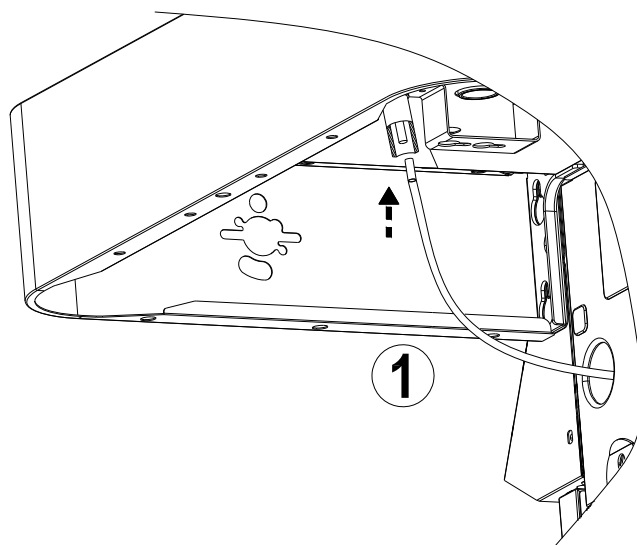
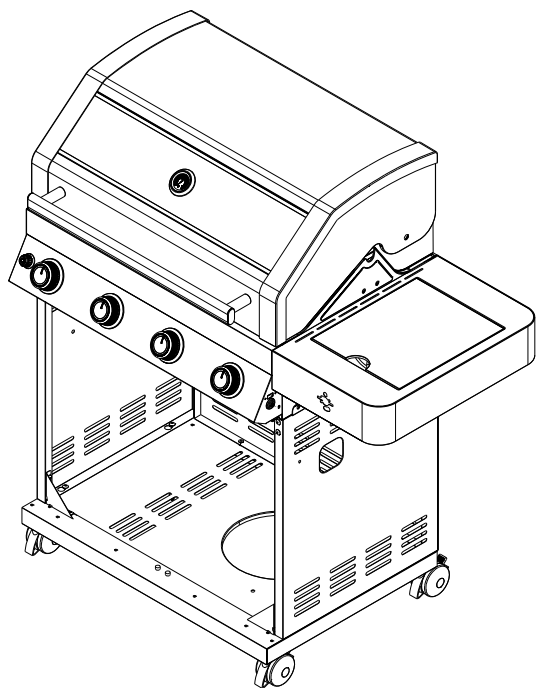


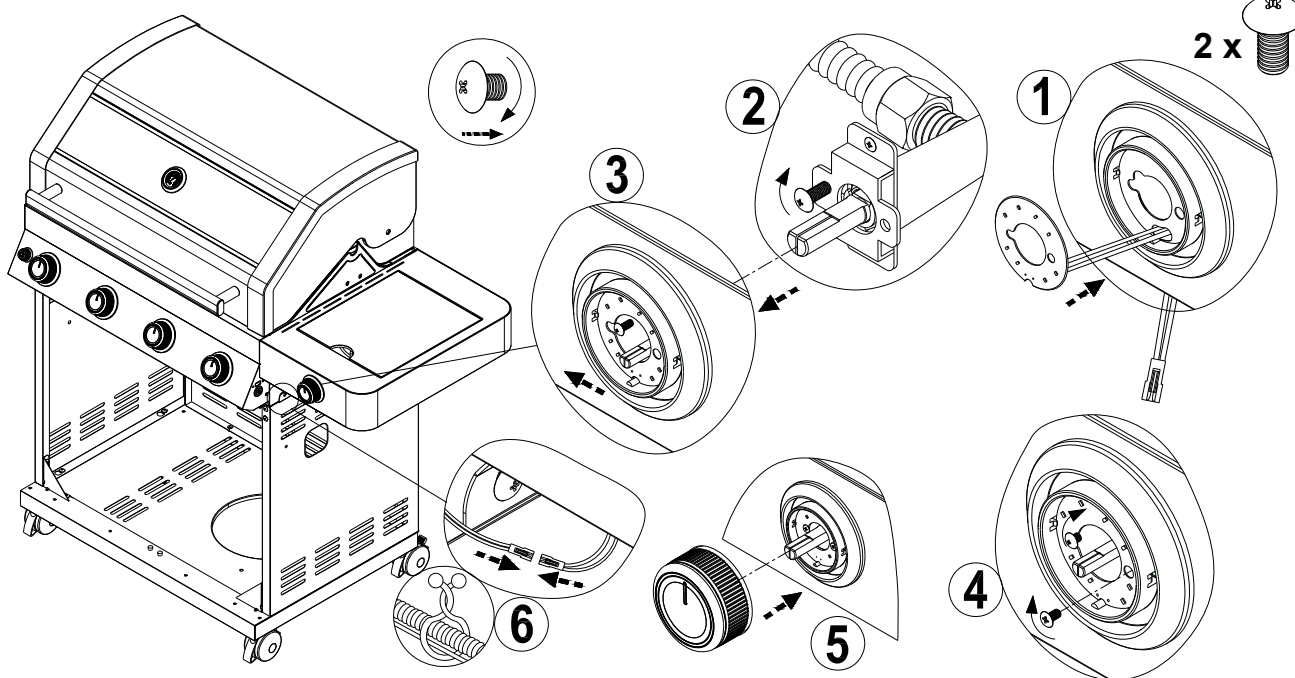
Figure 8.2

1. Dévisser à moitié les trois grandes vis à l'extérieur de la caisse du barbecue, puis installer la pièce n° 25 sur les trous de vis correspondants et serrer fermement.
2. Serrer fermement la pièce n° 25 avec une vis B et une entretoise D dans la caisse du barbecue.



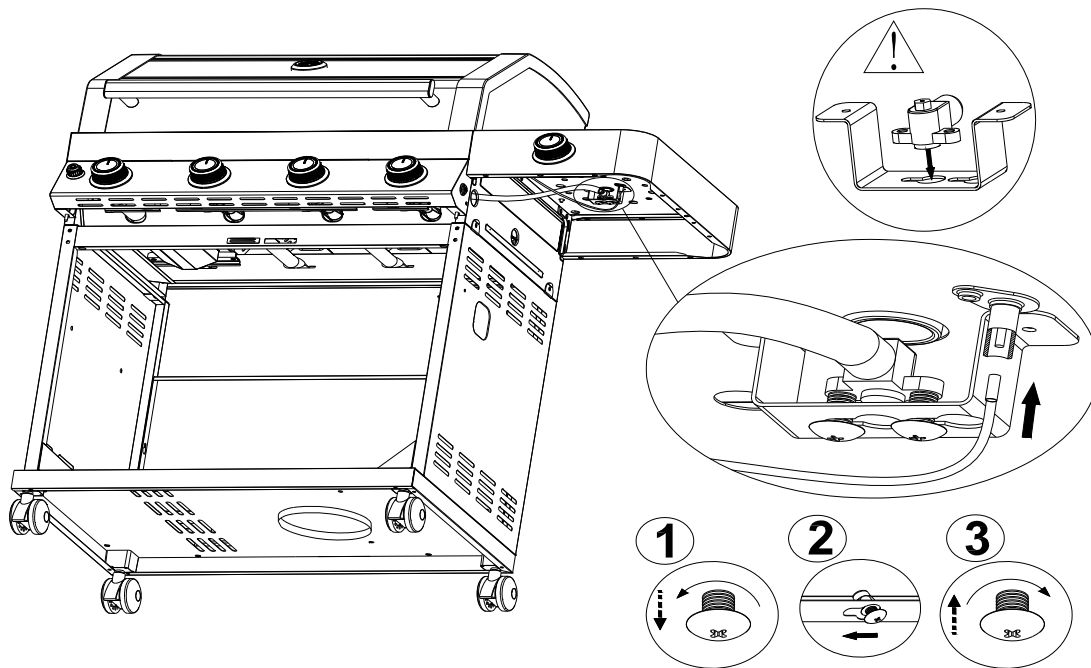
1. Insérer le fil de la pièce n°23.

Figure 9



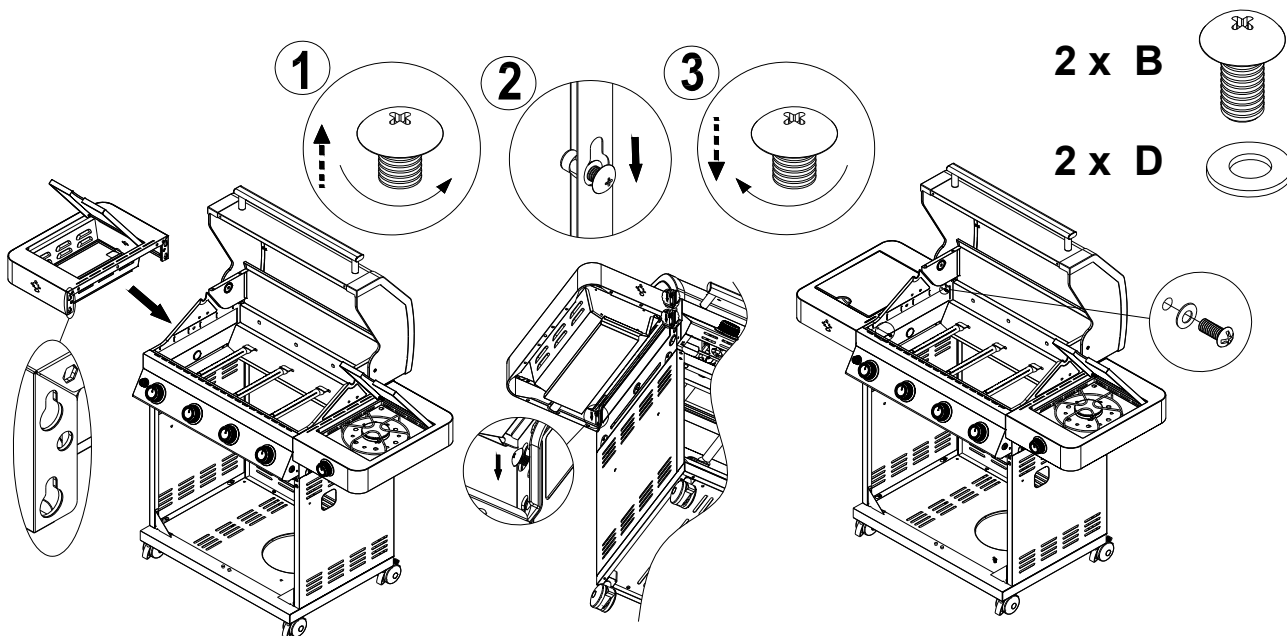
1. Insérer la pièce n° 30, la pièce n° 32 et la pièce n° 33 comme indiqué dans la figure.  
 2. Insérer le fil comme indiqué dans la figure.

Figure 10



Dévissez à moitié la vis dans la pièce n° 27, puis placez la pièce No.27 dans le trou de la pièce n°22. Vissez bien.

Figure 11

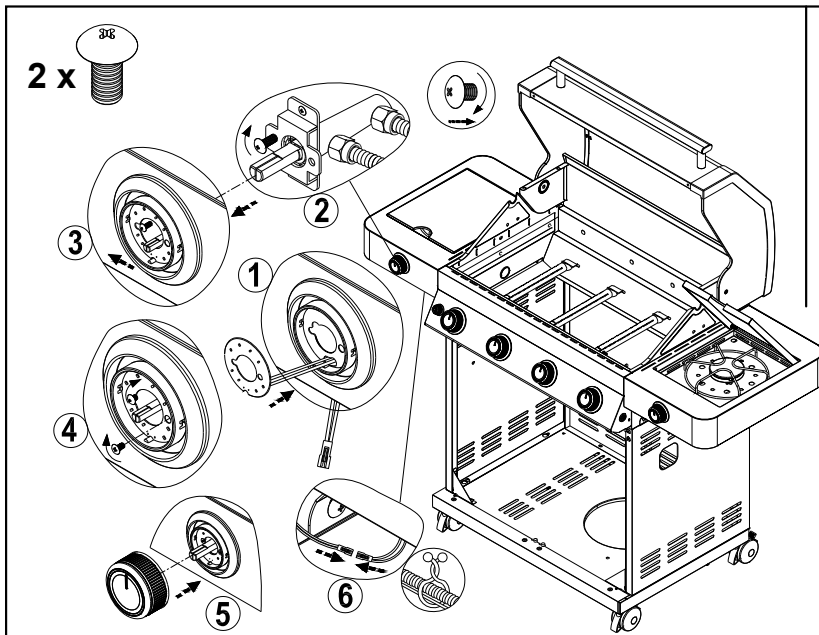


1. Dévisser à moitié les trois grandes vis sur la caisse du barbecue, puis placer la pièce n° 67 sur les trous de vis correspondants et serrer fermement.
2. Serrer fermement la pièce n° 67 avec une vis- B et une entretoise à l'intérieur de la caisse du barbecue.

Figure 12.1

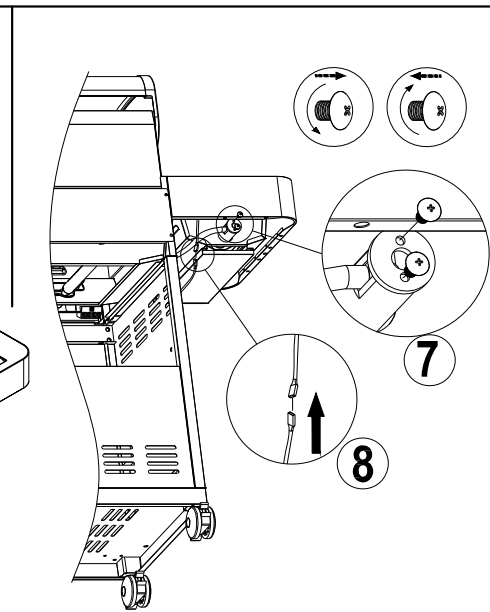
Figure 12.2

Figure 12.3

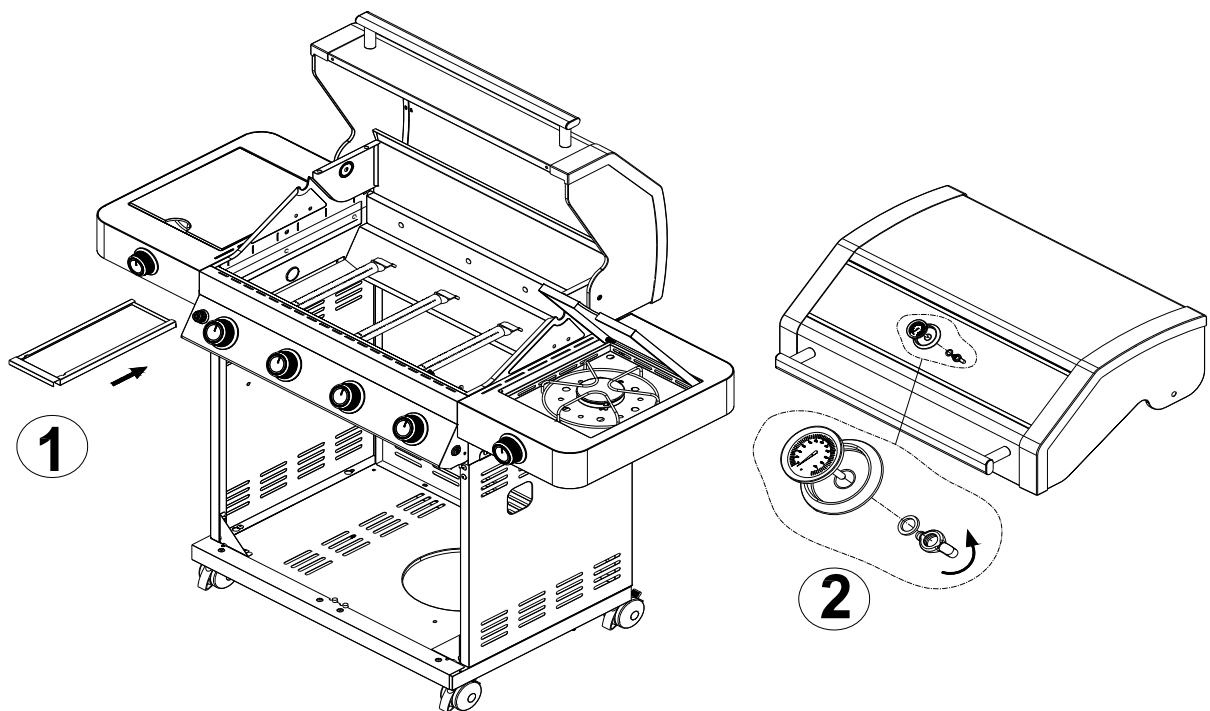


1. Insérer la pièce n° 72, la pièce n° 32 et la pièce n° 33 comme indiqué dans la figure.
2. Insérer la pièce n° 27 comme indiqué dans la figure.
3. Insérer le fil comme indiqué dans la figure.

**Figure 13.1**

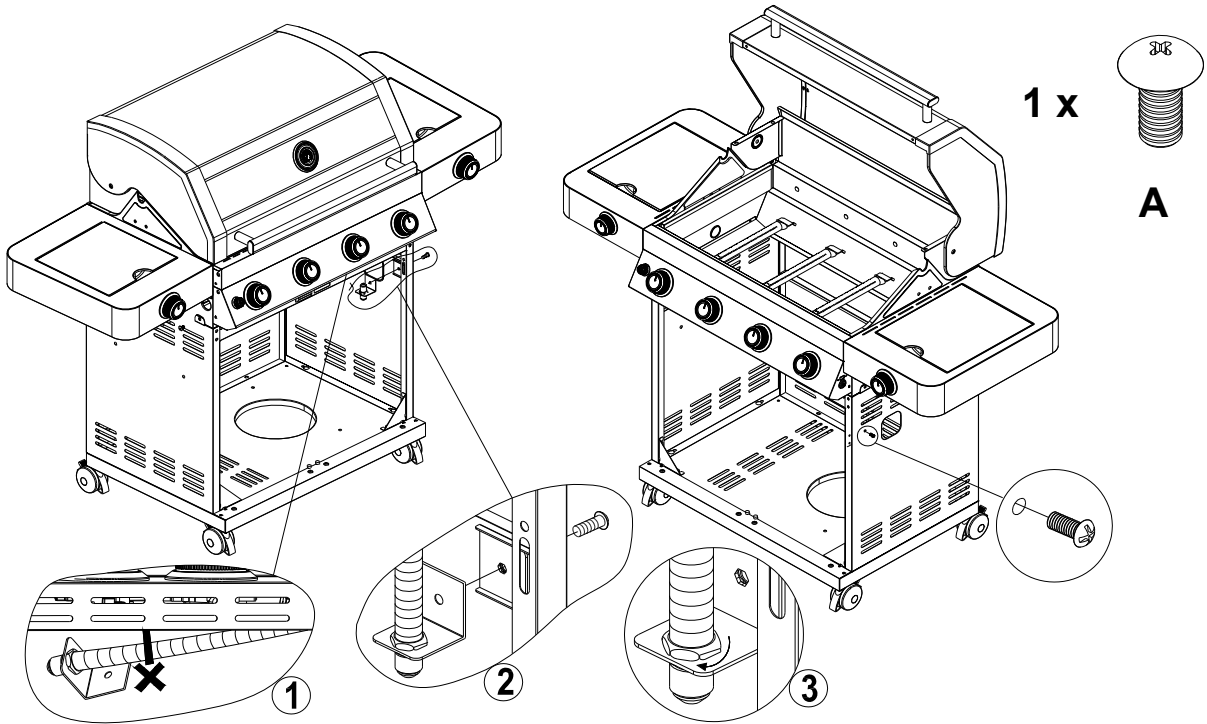


**Figure 13.2**



1. Placer la pièce n° 66 sous le brûleur latéral.
2. Insérer la pièce n° 2, la pièce n° 3

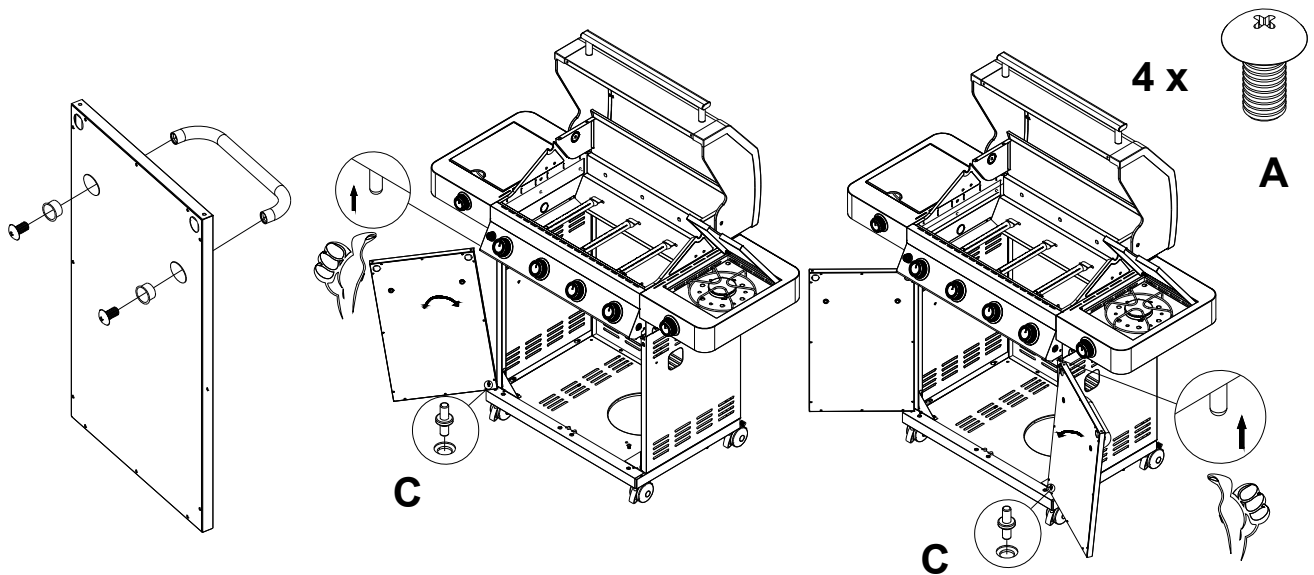
**Figure 14**



Installer la pièce n° 58 sur la plaque droite avec une vis A.

**Figure 15.1**

**Figure 15.2**

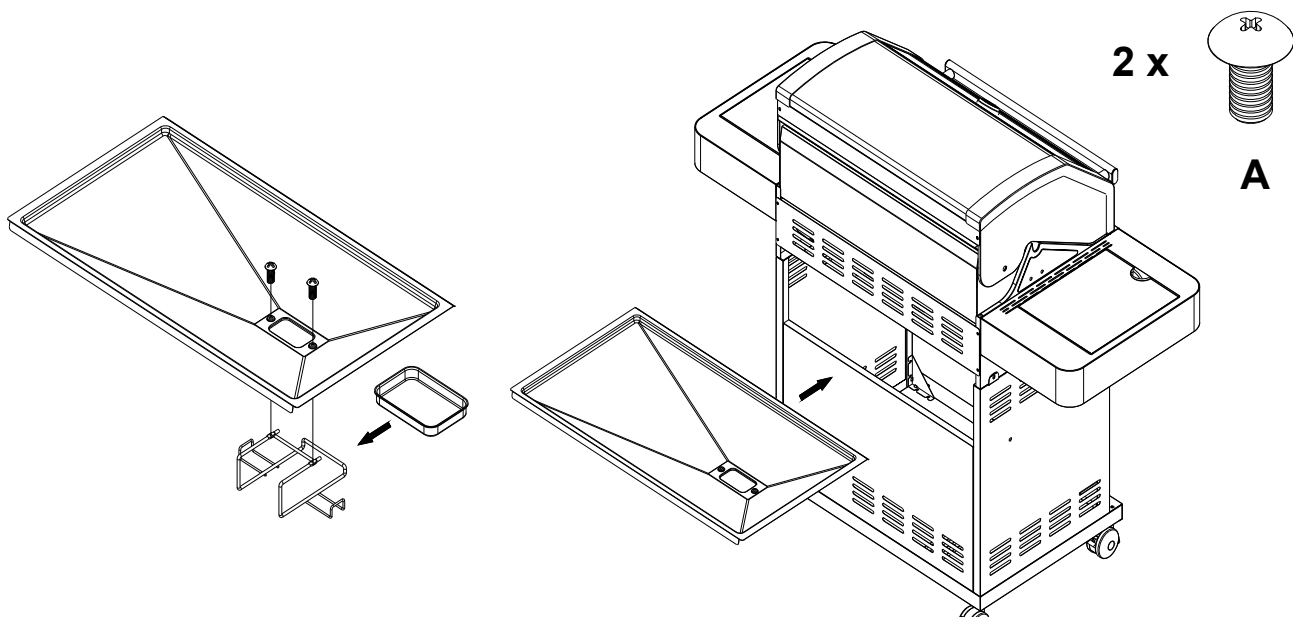


1. Installer la pièce n° 50 sur la pièce n° 51 avec des vis A. (Figure 16.1)
2. Placer la pièce C dans le trou correspondant à l'intérieur de la plaque inférieure. (Figure 16.2)
3. Placer la pièce n° 51 dans la pièce C. (Figure 16.2)
4. Ensuite, placer la porte en appuyant vers le haut sur l'axe flexible.

**Figure 16.1**

**Figure 16.2**

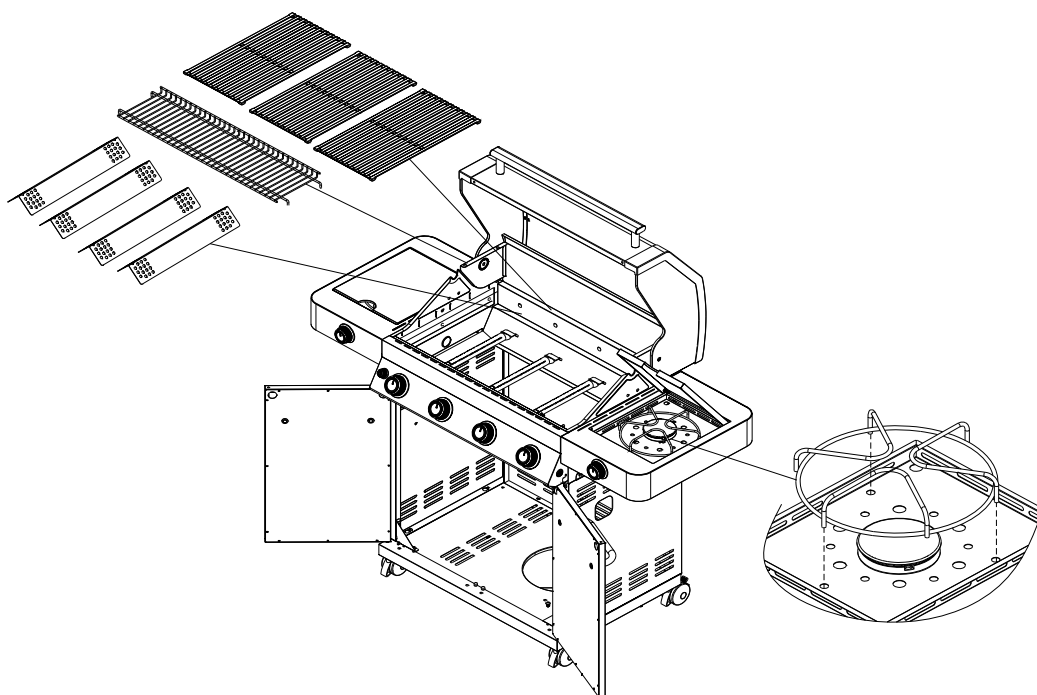
**Figure 16.3**



1. Installer la pièce n° 14 sur la pièce n° 16 avec deux vis A.
2. Mettre la pièce n° 15 dans la pièce n° 14.
3. Placer le plateau à graisse dans la caisse.

**Figure 17.1**

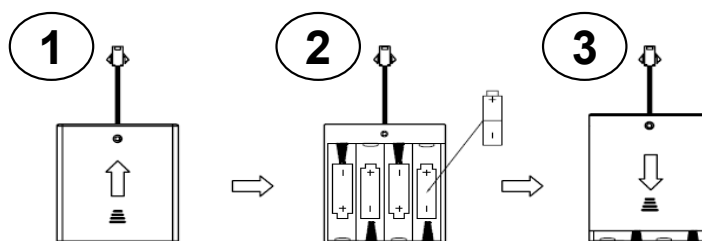
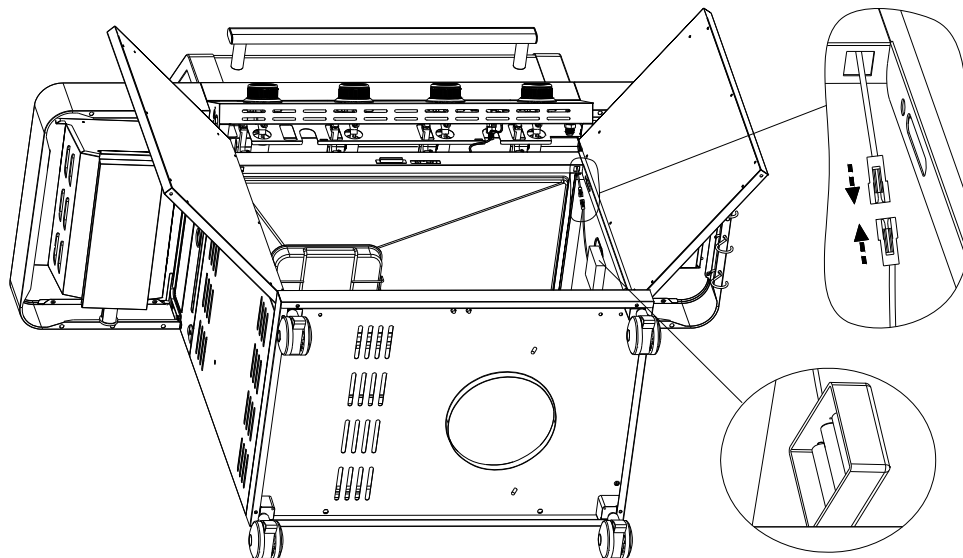
**Figure 17.2**



Placer les pièces n° 7, 8 et 9 à leur emplacement approprié.

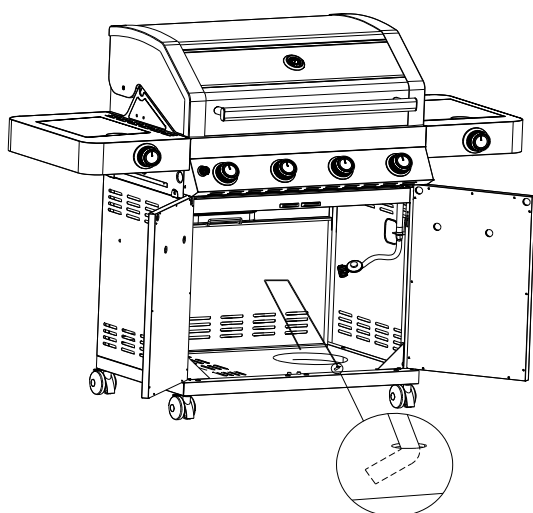
**Figure 18**





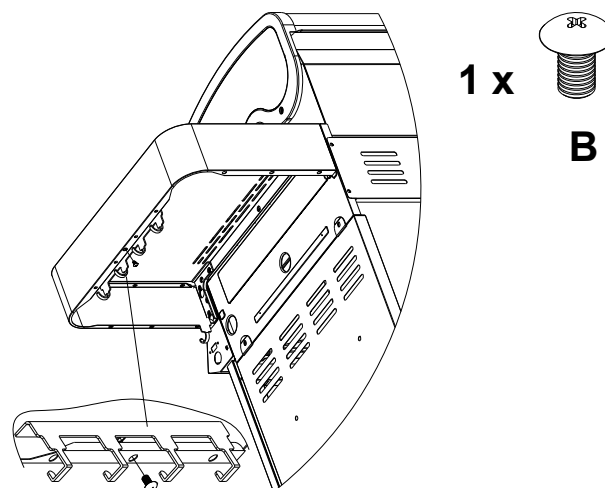
Raccorder la pièce n° 54 à la pièce n° 41.

**Figure 19**



1. Installer la pièce n° 48 sur la plaque inférieure. (Figure20.1)
2. Installer la pièce n° 26 sur la plaque latérale. (Figure20.2)

**Figure 20.1**



**Figure 20.2**

## Connexion de la bonbonne de GPL au barbecue à GPL

1. Enlever la vis sur le boulon de la bonbonne et ôter la rondelle. Insérer le boulon de la bonbonne depuis l'arrière du barbecue et réinstaller la rondelle et la vis. Depuis l'arrière du chariot, installer l'anneau du pied de la bonbonne de 9 kg (20 lb) dans le trou du panneau inférieur. Vérifier que la soupape de la bonbonne est sur la position d'arrêt. Utiliser le boulon de la bonbonne pour retenir la bonbonne dans une position fixe (Fig. 22).

2. Vérifier que la soupape de la bonbonne possède les filetages externes adéquats s'adaptant aux éléments du tube et au régulateur fournis.

3. Vérifier que toutes les soupapes du brûleur sont sur la position d'arrêt.

4. Inspecter le port de raccordement de la soupape et les éléments du régulateur. Inspecter l'appareil pour détecter la présence d'avaries ou de saleté. Éliminer la saleté. Inspecter le tuyau. Ne jamais utiliser un équipement endommagé ou obstrué.

5. Lors du raccordement du régulateur et des éléments du tuyau à la soupape de la bonbonne, serrer à fond à la main l'écrou de serrage rapide dans le sens horaire (Fig. 21). Ne pas utiliser une clé pour éviter d'abîmer l'écrou de serrage rapide et provoquer une condition dangereuse.

6. Ouvrir entièrement la soupape de la bonbonne (dans le sens antihoraire). Utiliser une solution savonneuse pour vérifier les fuites sur tous les raccords avant de tenter d'allumer le barbecue. Si une fuite est détectée, fermer la soupape de la bonbonne et ne pas utiliser le barbecue jusqu'à ce que la fuite soit réparée.

**MISE EN GARDE : Le gaz doit être fermé au niveau de la bonbonne d'alimentation quand l'appareil n'est pas utilisé.**

Raccordement du régulateur

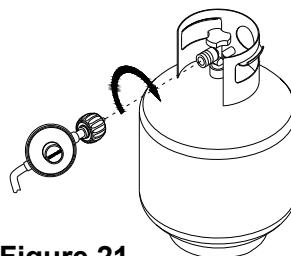


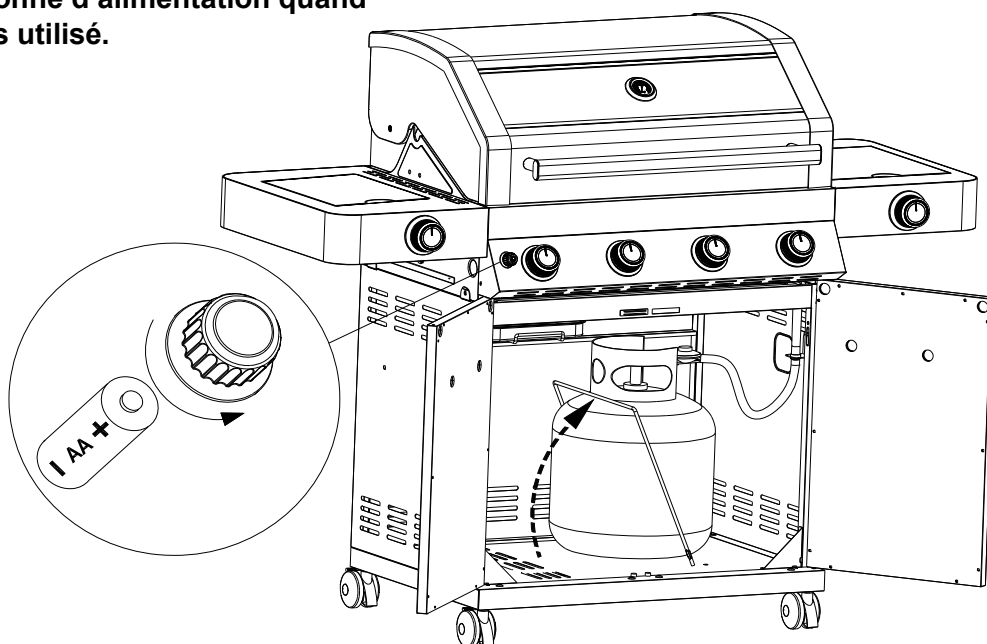
Figure 21

### Félicitations !

Votre barbecue à gaz est maintenant prêt à l'emploi. Avant la première utilisation et au début de chaque saison (et chaque fois que la bonbonne de GPL a été remplacée) :

1. Lire toutes les consignes de sécurité, d'allumage et d'utilisation.
2. Inspecter l'appareil pour détecter la présence d'obstruction au niveau des orifices de la soupape de gaz, des tubes des brûleurs et des orifices des brûleurs.
3. Effectuer la méthode sur la page suivante pour rechercher les fuites de gaz..

Figure 22



## Vérification des fuites de GPL

Ne jamais tester les fuites avec une flamme nue. Avant la première utilisation et au début de chaque saison ou chaque fois que la bonbonne de GPL est remplacée, il faut vérifier l'absence de fuites de gaz.

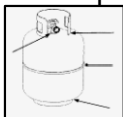
1. Préparer une solution savonneuse à parts égales d'eau et de détergent liquide.
2. Tourner entièrement les boutons de commande à la position d'arrêt puis ouvrir le gaz au niveau de la bonbonne.
3. Appliquer la solution savonneuse sur tous les raccordements de gaz avec une brosse propre. Voir ci-dessous. Si des bulles apparaissent de plus en plus dans la solution, cela signifie que les raccordements ne sont pas étanches. Vérifier chaque élément et effectuer les serrages ou réparations nécessaires.

Vérification des fuites sur les raccordements de gaz



4. S'il n'est pas possible de réparer une fuite de raccordement de gaz, fermer le gaz au niveau de la bonbonne, déconnecter la conduite de gaz sur le barbecue et composer le 1-800-530-9133 ou votre fournisseur de gaz pour demander de l'aide.
5. Appliquer également de la solution savonneuse sur les soudures de la bonbonne. Voir ci-dessous. Si des bulles apparaissent de plus en plus, fermer la bonbonne. Ne pas l'utiliser et ne pas la déplacer! Contacter un fournisseur de GPL ou les pompiers

Vérification de fuites sur la bonbonne de gaz



## Instruction d'allumage du- barbecue

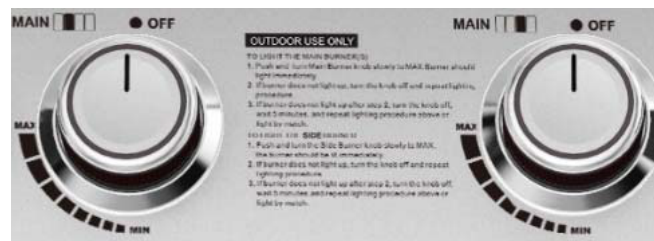
### Allumage des brûleurs principaux du barbecue

1. Ne pas fumer lors de l'allumage du barbecue ou de la vérification des raccordements d'arrivée du gaz.
2. Vérifier que la bonbonne de GPL est suffisamment pleine.
3. Vérifier que les raccordements de gaz sont bien serrés.
4. Ouvrir l'arrivée du gaz.
5. Ouvrir le couvercle principal du barbecue et le couvercle du brûleur latéral.
6. Appuyer et tourner l'un des boutons du brûleur principal sur la position ALLUMAGE/ HAUTE FLAMME. Enfoncer simultanément le bouton d'allumage électronique sans le relâcher pendant 3 à 5 secondes pour allumer le brûleur.



### AVERTISSEMENT

Si le couvercle du barbecue n'est pas ouvert lors de l'allumage, un incendie ou une explosion risque de se produire pouvant causer des blessures graves, voire mortelles, ou des dommages matériels.



7. Pour allumer des brûleurs supplémentaires, enfoncer et tourner le(s) bouton(s) du brûleur sur ALLUMAGE/ HAUTE FLAMME. Appuyer simultanément sur le bouton d'allumage électronique sans le relâcher pendant 3 à 5 secondes pour allumer le brûleur. Régler le(s) bouton(s) comme souhaité.
8. Si le brûleur ne s'allume pas au bout de 5 secondes, mettre le bouton sur la position d'arrêt. Fermer le gaz au niveau de la bonbonne et patienter 5 minutes pour laisser le gaz se dissiper. Ouvrir ensuite le gaz au niveau de la bonbonne et répéter l'étape 6.
9. Si le brûleur ne s'allume toujours pas, consulter les chapitres « Allumer votre barbecue avec une allumette » et « Si le barbecue ne s'allume toujours pas » à la page suivante.

### UTILISATION DU BRÛLEUR LATÉRAL

Inspecter le tuyau d'arrivée du gaz avant d'ouvrir le gaz. En cas de coupure ou d'usure du tuyau, celui-ci doit être remplacé avant utilisation. Ne pas utiliser le brûleur latéral en présence d'une odeur de gaz.

**AVERTISSEMENT : Tenir le visage et le corps aussi loin que possible du brûleur lors de l'allumage.**

### INSTRUCTIONS D'ALLUMAGE POUR LE BRÛLEUR LATÉRAL

1. Ouvrir entièrement le couvercle du brûleur latéral.
2. Appuyer et tourner le bouton du brûleur sur la position ALLUMAGE/ HAUTE FLAMME. Enfoncer simultanément le bouton d'allumage électronique sans le relâcher pendant 3 à 5 secondes pour allumer le brûleur.
3. Si le brûleur latéral ne s'allume pas au bout de 5 secondes, mettre le bouton à la position d'arrêt. Fermer le gaz au niveau de la bonbonne de GPL et patienter 5 minutes pour laisser le gaz se dissiper. Rouvrir ensuite le gaz au niveau de la bonbonne et répéter l'étape 2.
4. Si le brûleur ne s'allume toujours pas, voir les chapitres « Allumer votre barbecue avec une allumette » et « Si le barbecue ne s'allume toujours pas » à la page suivante.





## AVERTISSEMENT

Ne jamais se pencher par-dessus de la surface de cuisson lors de l'allumage du barbecue à gaz. Tenir le visage et le corps à une distance sécuritaire (45 cm ou 18 po au minimum) de la surface des grilles de cuisson lors de l'allumage du barbecue avec une allumette.

### Allumer votre barbecue avec une allumette

1. Prendre la tige d'allumage manuel.
2. Insérer une allumette dans la tige d'allumage.
3. Suivre les étapes 1 à 5 de la méthode élémentaire d'allumage.
4. Allumer l'allumette et diriger la tige d'allumage vers la surface des grilles de cuisson.
5. Tourner le bouton de commande souhaité sur la position HAUTE FLAMME pour libérer le gaz. Le brûleur devrait s'allumer immédiatement.



## AVERTISSEMENT

Si un incendie causé par un « RETOUR DE FLAMME » se produit dans ou autour des tubes du brûleur, suivre les instructions ci-dessous. Le non-respect de ces consignes peut entraîner un incendie ou une explosion pouvant causer des blessures graves, voire mortelles, ou des dommages matériels.

- Fermer l'arrivée du gaz vers le barbecue à gaz.
- Mettre les boutons de commande sur la position d'arrêt
- Éteindre les flammes avec un extincteur de flamme adéquat.
- Ouvrir le couvercle du barbecue.
- Une fois que le barbecue a refroidi, nettoyer les tubes du brûleur et les brûleurs en suivant les instructions de nettoyage à la page 21.

### Si le barbecue ne s'allume toujours pas

1. Vérifier les fuites au niveau de l'arrivée du gaz et des raccordements. Vérifier que tous les raccordements sont étanches.
2. Répéter la méthode d'allumage élémentaire. Si le barbecue à gaz ne s'allume toujours pas, fermer le gaz à la source, mettre les boutons de commande sur la position d'arrêt, puis vérifier les points suivants :

- Mauvais alignement des tubes du brûleur sur les orifices.  
**Correction:** Repositionner les tubes du brûleur sur les orifices.
- Obstruction dans la conduite de gaz.  
**Correction :** Déconnecter la conduite de gaz du barbecue. Ne pas fumer! Ouvrir l'arrivée du gaz pendant 1 seconde pour éliminer toute obstruction dans la conduite. Fermer l'arrivée du gaz à sa source et reconnecter la conduite de gaz au barbecue.
- Orifice bouché  
**Correction :** Enlever les brûleurs du barbecue en soulevant avec précaution chaque brûleur hors de l'orifice de la soupape de gaz. Enlever l'orifice de la soupape de gaz et nettoyer délicatement toute obstruction avec un fil métallique mince. Puis réinstaller tous les orifices, brûleurs et composants de cuisson.

3. Si l'on soupçonne une obstruction dans les soupapes de gaz, appeler le service de réparation au 1-800-530-9133

4. Si le barbecue ne s'allume toujours pas, il sera nécessaire de purger l'air dans la conduite de gaz ou de réinitialiser le mécanisme de régulation d'excès de gaz.  
**Remarque :** Cette méthode doit être effectuée chaque fois qu'une nouvelle bonbonne de GPL est raccordée au barbecue.

### Pour purger l'air dans la conduite de gaz et/ou réinitialiser le mécanisme de régulation de surdébit de gaz :

- Mettre le bouton de commande sur la position d'arrêt..
- Fermer le gaz au niveau de la soupape de la bonbonne.
- Déconnecter le régulateur de la bonbonne de GPL.
- Mettre l'unité en position verticale pendant 5- minutes.
- Reconnecter le régulateur à la bonbonne de GPL.
- Ouvrir lentement la soupape de la bonbonne jusqu'au quart ou la moitié.
- Ouvrir le couvercle du barbecue.
- Mettre les boutons de commande sur la position d'arrêt. Appuyer et tourner l'un des boutons de commande sur HAUTE FLAMME.
- Tourner les boutons de commande sur HAUTE FLAMME jusqu'à ce que tous les brûleurs s'allument.
- Le barbecue est maintenant prêt à l'emploi.

5. Si toutes les vérifications ou corrections ont été faites et que des questions sur le fonctionnement de votre barbecue à gaz restent encore sans réponse, appeler la **ligne d'assistance du Service à la clientèle**



## Nettoyage et entretien

Pour garantir un fonctionnement adéquat de l'appareil, les soins et l'entretien suivants sont recommandés.

### Nettoyage des grilles de cuisson

Il est conseillé de laver les grilles de cuisson avec une solution d'eau chaude et de savon doux. Se servir d'une éponge ou d'une brosse douce pour nettoyer les grilles de cuisson.

### Nettoyage des diffuseurs de chaleur

Les diffuseurs de chaleur doivent aussi être nettoyés régulièrement avec une solution d'eau chaude et de savon. Utiliser une brosse douce pour ôter les résidus de cuisson tenaces. Les diffuseurs de chaleur doivent secs avant d'être réinstallés.

### Nettoyage du plateau à graisse

Le plateau à graisse doit être vidé et essuyé de façon régulière, et nettoyé dans une solution d'eau chaude et de savon. Une petite quantité de sable ou de litière pour chat peut être placée dans le plateau à graisse pour absorber celle-ci.

Vérifier fréquemment le plateau à graisse Ne pas laisser la graisse s'accumuler ni déborder du plateau.

### Nettoyage annuel de l'intérieur du barbecue

Le décapage du barbecue après chaque utilisation le préparera à la prochaine utilisation.

Nettoyer toutefois à fond le barbecue une fois par an afin de le maintenir dans des conditions optimales de fonctionnement. Suivre ces étapes.

1. Tourner entièrement toutes les soupapes des brûleurs à la position d'arrêt.
2. Tourner entièrement la soupape de la bonbonne de GPL à la position d'arrêt.
3. Détacher le tuyau de GPL et les éléments du régulateur du barbecue à gaz. Inspecter pour détecter toute avarie et remplacer les pièces au besoin en utilisant les numéros de pièces de rechange du fabricant qui figurent sur la liste des pièces.
4. Enlever et nettoyer les diffuseurs de chaleur, les grilles de cuisson et les brûleurs du barbecue.
5. Couvrir chaque orifice de la soupape de gaz avec du papier aluminium.
6. Brosser l'intérieur et le fond du barbecue avec une brosse en nylon et laver avec de l'eau chaude et un savon doux. Rincer soigneusement et laisser sécher.
7. Enlever le papier aluminium puis réinstaller les diffuseurs de chaleur et les grilles de cuisson.
8. Reconnecter l'arrivée du gaz et observer la flamme du brûleur pour s'assurer d'un fonctionnement adéquat.

### Nettoyage de la surface externe

•Il est recommandé de laver le barbecue avec une solution d'eau chaude et de savon doux. Utiliser un chiffon ou une éponge pour nettoyer. Ne pas se servir d'ustensiles abrasifs ou d'une brosse pour éviter de rayer la surface lors du nettoyage.

### Nettoyage des surfaces externes en acier inoxydable

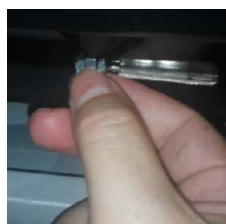
•Le mauvais temps et une chaleur intense peuvent décolorer les surfaces externes en acier inoxydable. Les huiles des machines servant à fabriquer l'acier inoxydable peuvent également provoquer cette décoloration. Utiliser un nettoyant pour acier inoxydable pour polir les surfaces en acier inoxydable du barbecue. Ne jamais utiliser de nettoyants abrasifs ou de tampon à récurer pour éviter de rayer et d'abîmer le barbecue.

### Nettoyage des tubes et orifices du brûleur

Pour minimiser les risques de « RETOUR DE FLAMME », suivre la méthode ci-dessous au moins une fois par mois à la fin de l'été ou au début de l'automne lorsque les araignées sont plus actives ou lorsque le barbecue n'a pas été utilisé depuis longtemps.

1. Fermer les soupapes de tous les brûleurs et celle de la bonbonne de gaz.
2. Détacher les éléments d'assemblage du régulateur de GPL sur le barbecue.
3. Enlever les grilles de cuisson, les diffuseurs de chaleur et le plateau à graisse du barbecue.
4. Enlever les vis sous chaque brûleur et soulever les brûleurs hors de l'orifice de la soupape de gaz.
5. Utiliser un fil métallique dur en forme de crochet, un tuyau à air ou une brosse pour bouteille et le passer plusieurs fois dans le tube du brûleur et à l'intérieur pour éliminer la saleté.
6. Remettre les brûleurs en place. Voir l'illustration ci-dessous.

Étape 1



Étape 2



Étape 3



### AVERTISSEMENT

La position du tube du brûleur par rapport à l'orifice est primordiale pour assurer un fonctionnement sécuritaire. Vérifier que l'orifice est à l'intérieur du tube du brûleur avant d'utiliser le barbecue à gaz. Si le tube du brûleur ne s'adapte pas sur l'orifice de la soupape, une explosion et/ou un incendie peut se produire lors de l'allumage du brûleur.

Quelque soit la méthode de nettoyage du brûleur employée, il est conseillé d'adopter les étapes suivantes pour prolonger la vie utile du brûleur.

1. Utiliser une éponge en microfibre ou une brosse en nylon pour nettoyer toute la surface externe de chaque brûleur jusqu'à ce que tous les résidus alimentaires et la saleté aient disparu.

2. Nettoyer les orifices obstrués avec un fil métallique dur, par exemple un trombone à papier déplié.

3. Inspecter chaque brûleur pour détecter toute avarie (craquelures ou trous) et le cas échéant, commander et installer un nouveau brûleur. Après l'installation, vérifier que les orifices des soupapes de gaz sont correctement installés à l'intérieur des extrémités des tubes des brûleurs.



### AVERTISSEMENT

**Des araignées et des insectes peuvent faire leurs nids à l'intérieur des brûleurs et perturber la circulation du gaz. C'est une condition très dangereuse pouvant causer un incendie derrière le panneau de la soupape, endommageant ainsi le barbecue et rendant son utilisation dangereuse.**

## Dépannage

### AVANT D'APPELER POUR UNE RÉPARATION

Si le barbecue ne fonctionne pas correctement, utiliser la liste de vérification suivante avant d'appeler le service de réparation.

Inspecter les brûleurs au moins une fois par an ou immédiatement après que l'une des conditions suivantes se soit produite:

PROBLÈMES	QUE FAIRE
Le barbecue ne s'allume pas quand on tourne le bouton de commande.	Vérifier si la bonbonne de GPL est vide.
	Nettoyer le(s) fil(s) et/ou l'électrode en frottant avec de l'alcool et un chiffon propre.
	Essuyer avec un chiffon propre.
	Vérifier que le fil est raccordé aux éléments d'assemblage de l'électrode.
	Vérifier le fonctionnement des autres brûleurs de l'unité .
La flamme du brûleur est jaune ou orange et une odeur de gaz est présente.	Consulter le chapitre portant sur le nettoyage des tubes et orifices du brûleur page 21.
Faible chaleur alors que le bouton de commande est sur « ALLUMAGE/HAUTE FLAMME ».	Vérifier si le tuyau de combustible est tortillé ou coudé.
	Vérifier que le barbecue ne se trouve pas dans un endroit poussiéreux.
	Est-ce qu'un approvisionnement en gaz adéquat est disponible?
	Si un seul brûleur ne fonctionne , test-il nécessaire de nettoyer l' orifice ou le brûleur? Est-ce que l'arrivée ou la pression du gaz est faible?

## Instructions de cuisson



### AVERTISSEMENT

**Ne pas laisser le barbecue sans surveillance. Votre barbecue chauffe rapidement.** Ne jamais vous pencher au-dessus de la surface de cuisson pendant l'utilisation du barbecue. Ne pas toucher les surfaces de cuisson, le caisson du barbecue, le couvercle ou les autres pièces du barbecue pendant son fonctionnement, ou jusqu'à ce qu'il ait refroidi après utilisation. Le non-respect de ces consignes risque d'entraîner des blessures graves.

### Décapage

Avant de cuisiner avec votre barbecue à gaz pour la première fois, il est recommandé de le «-décapage-» afin d'éliminer toute odeur ou corps étranger.

Allumer simplement les brûleurs, ôter le couvercle et faire fonctionner le barbecue sur le réglage élevé pendant 3 à 5 -minutes.

### Températures de cuisson

**Réglage élevé:** Utiliser uniquement ce réglage pour réchauffer rapidement, saisir des steaks ou des côtelettes et pour brûler les résidus alimentaires sur le barbecue une fois la cuisson terminée. **Ne jamais** utiliser le réglage ÉLEVÉ pour une cuisson prolongée.

**Réglages moyen à faible:** La plupart des recettes nécessite un réglage moyen à faible, dont toutes les cuissons par fumaison, la cuisson à la rôtissoire et la cuisson des viandes maigres ou du poisson.

**REMARQUE:** Les réglages varient en fonction de la température et de la force du vent.

### Cuisson directe

La méthode de cuisson directe peut être utilisée avec les grilles de cuisson fournies et en plaçant les aliments directement au-dessus des brûleurs du barbecue.

**Le couvercle du barbecue doit être ouvert pour la cuisson directe.** La méthode est idéale pour saisir les viandes et donner aux viandes, à la volaille et au un goût grillé. Les fritures et les fumaisons sont également meilleures par cette méthode parce qu'elles nécessitent une chaleur directe.



### AVERTISSEMENT

Ne pas couvrir le fond du caisson du barbecue avec du papier aluminium, du sable et d'autres produits qui limiteront l'écoulement des graisses dans la lèchefrite.

Le non-respect de ces consignes peut provoquer un incendie ou une explosion pouvant causer des blessures corporelles graves, mortelles ou des dégâts matériels.

### Cuisson indirecte

Pour cuire **de façon indirecte** les aliments doivent être placés du côté droit ou gauche du barbecue avec le brûleur allumé sur le côté opposé. **La cuisson indirecte doit être effectuée avec le couvercle rabattu.**

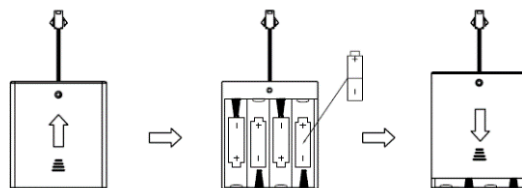
### Flambées soudaines

Les graisses et les jus produits par les aliments grillés peuvent causer des flambées soudaines. Les flambées soudaines donnent un bon goût distinct ainsi que de la couleur aux aliments. Elles sont donc acceptables jusqu'à un certain point. Néanmoins, les flambées soudaines non contrôlées peuvent ruiner un repas.

### Remplacement de la pile

Si la DEL ne s'allume pas, la pile doit être remplacée. Pour remplacer la pile de la DEL.

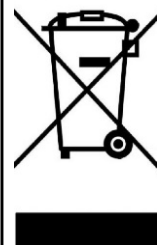
1. Ouvrir le couvercle du logement des piles.
2. Insérer 4 piles AA dans le logement des piles. La polarité des piles dans le logement doit être respectée.
3. Remettre le couvercle en place.



### Élimination correcte de ce produit

La présence de ce symbole indique que ce produit ne peut être mis au rebut avec les ordures ménagères. Par mesure de prévention pour l'environnement et pour la santé humaine, séparer ces composants des autres types de déchets et les recycler conformément au principe de réutilisation des ressources matérielles.

Pour retourner votre appareil usagé, utiliser les systèmes de retour et de collecte ou contacter le revendeur où le produit a été acheté. Ceux-ci peuvent procéder au recyclage du produit en toute sécurité.



## TABLEAU DE CUISSON AU— BARBECUE

**AVERTISSEMENT:** Pour garantir votre sécurité alimentaire, les aliments doivent être cuits aux températures minimales internes qui figurent dans le tableau ci-dessous.

Températures internes minimales de sécurité recommandées par l'USDA

Poisson	62,7 °C (145 °F)
Porc	71,7 °C (160 °F)
Plats aux œufs	71,7 °C (160 °F)
Steaks et rôtis de bœuf, de veau ou d'agneau	62,7 °C (145 °F)
Bœuf, veau ou agneau haché	71,7 °C (160 °F)
Volaille entière (dinde, poulet, canard .etc.)	73,8 °C (165 °F)
Volaille hachée ou en morceaux (blanc de poulet. etc.)	73,8 °C (165 °F)

\*Département d'Agriculture des États-Unis

ALIMENT	Poids ou épaisseur	Température	Durée	Instructions spéciales et conseils
Légumes	Sans objet	Moyen	8 à 20 minutes	Trancher ou couper les légumes et badigeonner avec du beurre ou de la margarine. Envelopper de façon serrée dans du papier aluminium. Griller en tournant de temps en temps.
Pommes de terre	Entières	Moyenne	40 à 60 minutes	Envelopper individuellement dans du papier aluminium. Cuire en tournant de temps en temps.
Viande/Steak	12,7 à 19 mm	Élevée-Moyenne	4 à 15 minutes	Préchauffer le barbecue pendant 15 à 20 minutes, puis faire griller les steaks de chaque côté pendant 2 minutes. Faire griller ensuite pendant 3 à 5 minutes sur chaque face ou jusqu'au degré de cuisson souhaité.
Viande hachée	12,7 à 19 mm	Moyenne	8 à 15 minutes	Faire griller en tournant une fois lorsque les jus apparaissent à la surface ou jusqu'à obtention de la cuisson désirée. Ne pas laisser les croquettes de viande sans surveillance pour éviter les flambées soudaines.
Côte	1/2 ou entière	Moyenne	20 à 40 minutes	Faire griller en tournant de temps en temps. Badigeonner pendant les dernières minutes avec de la sauce barbecue. Tourner plusieurs fois.
Hot dogs	Sans objet	Moyenne	5 à 10 minutes	Faire griller en tournant quatre fois. 2 à 4 minutes de chaque côté.
Morceaux de volaille	113 à 227 g	Faible ou moyenne	20 à 40 minutes	Faire griller en tournant de temps en temps. Badigeonner pendant les dernières minutes avec de la sauce barbecue si désiré. Tourner plusieurs fois.
Volaille entière	0,9 à 1,3 kg	Faible ou moyenne	1 à 1-1/2 heures	Utiliser la broche pour volaille et badigeonner souvent comme désiré.
			40 à 60 minutes	Utiliser la broche à volaille et badigeonner souvent comme désiré.
Poisson	19 à 25,4 mm	Moyen	8 à 15 minutes	Faire griller en tournant une seule fois jusqu'à obtention du degré de cuisson désiré. Badigeonner avec du beurre, de la margarine ou de l'huile.