

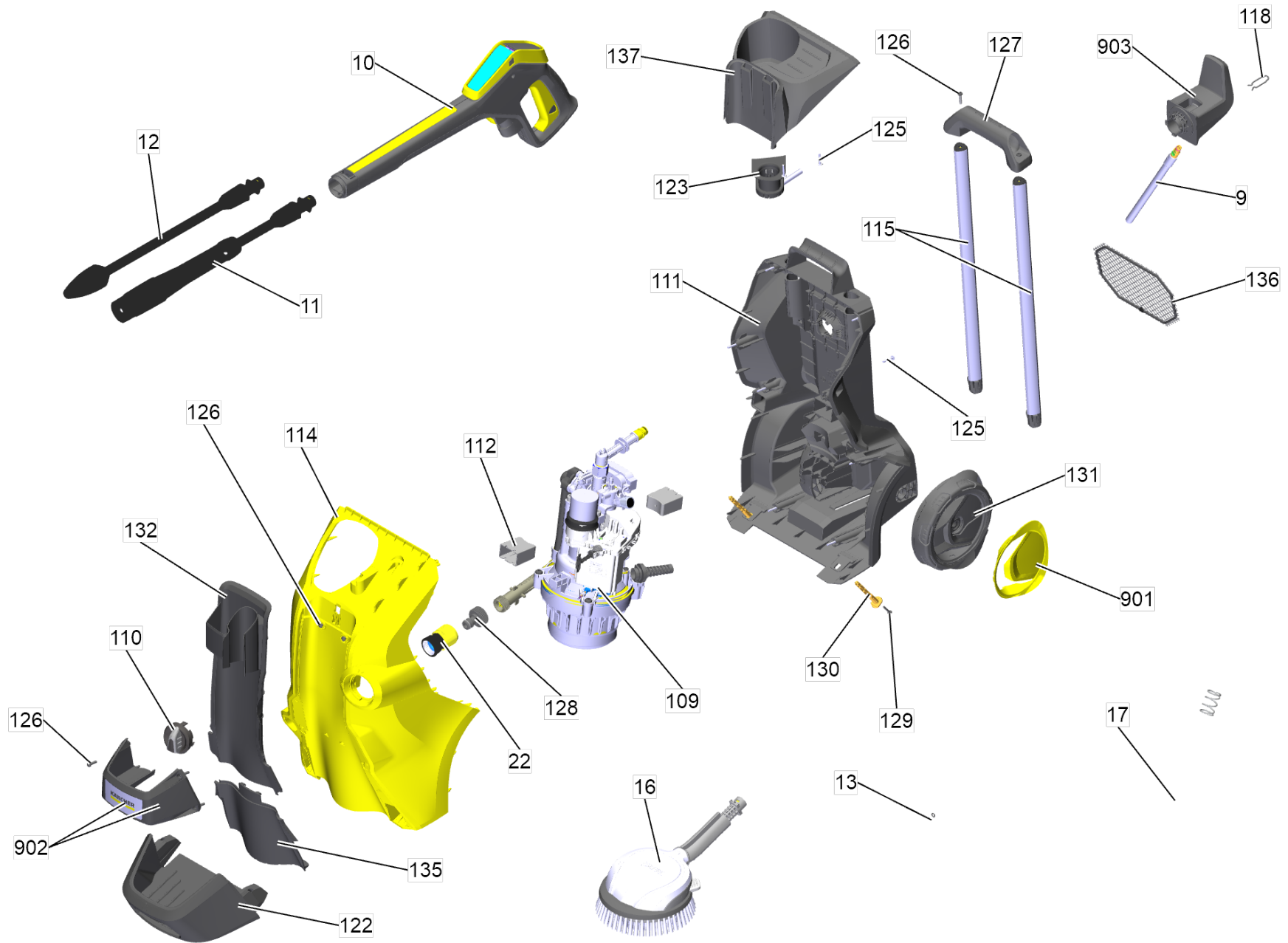
## **Spare parts list**

(1.324-571.0) K 5 Power Control Car & Home \*KNA

## Table of contents

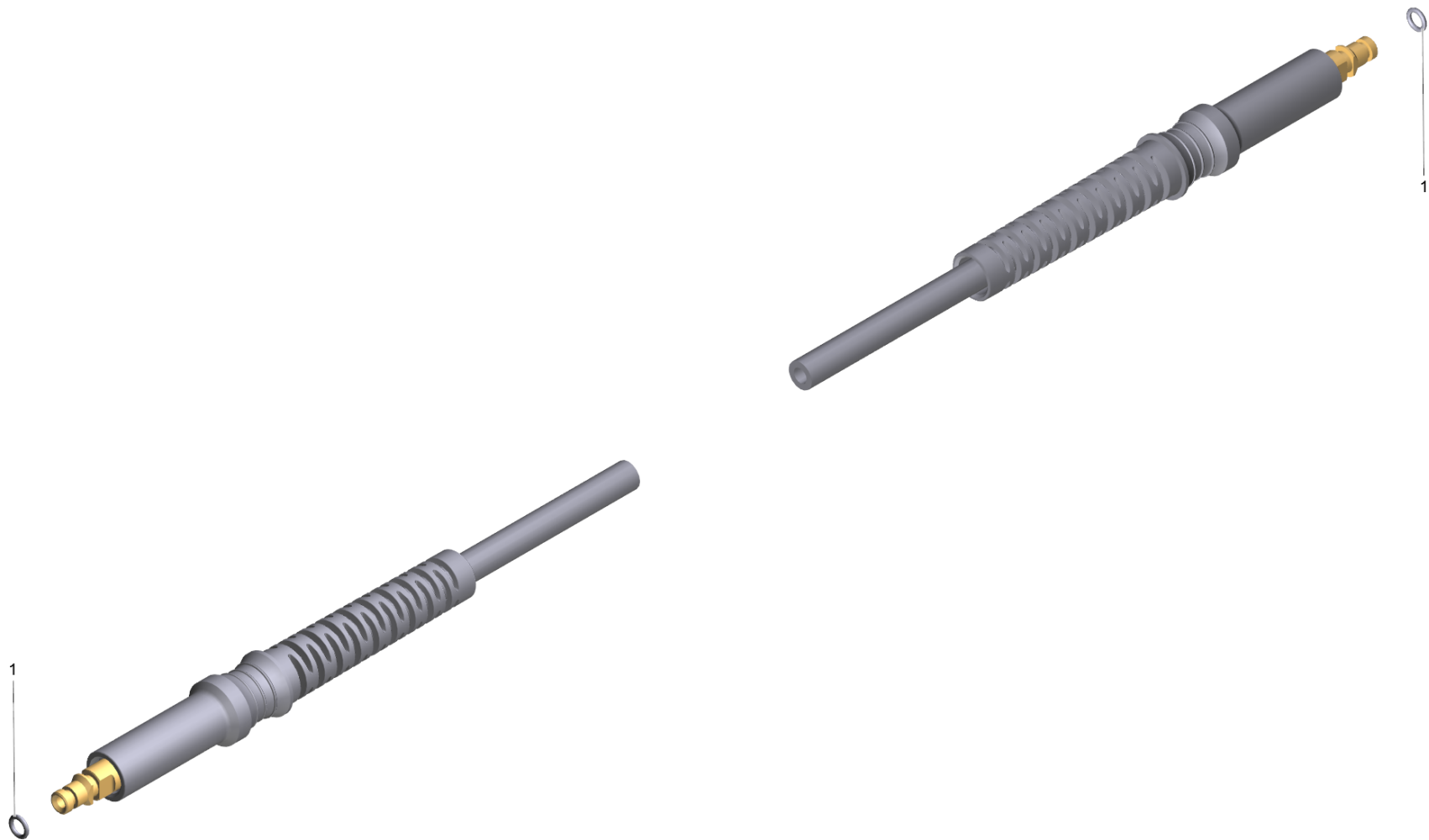
---

K 5 Power Control Car & Home *KNA (1.324-571.0)	3
9 High pressure hose 18MPa/10 60°C QC B (6.396-492.0)	5
10 G 160 Q pistol (2.644-327.0)	7
11 VPS middle FC 0205 MS (4.760-786.3)	9
12 Dirt blaster middle FC 020 ST (4.764-382.3)	11
13 FJ 10 C foam nozzle C 'n' C *Brown Box (2.643-767.0)	13
10 Foam nozzle	14
16 WB 130 SZ (incl. universal attachment) (2.644-286.0)	16
17 T 5 *KNA (2.644-342.0)	18
1 T 5 cpl. *KNA	20
2 Bearing support cpl. *KNA	22
1 Adapter complete	24
901 replacement nozzles T-Racer (2.644-081.0)	26
901 Spare part set nozzles 017 (2.885-477.0)	28
109 Pump set complete K5 PC *KNA	30
80 Thrust guidance FC/SCR K5	32
120 Engine complete for replacement (4.100-752.0)	34
10 Motor complete K5 FC Plus	36
130 Pump complete 2K Compact K5 *MX	38
10 Manifold complete 2K Compact K5 MX (9.013-693.3)	40
3 Valve pin complete (4.584-022.0)	42
7 Insert nozzle FC	44
20 Pump head Alu FC ric (9.002-456.0)	46
60 Manifold fitting K5 FC kpl (9.013-346.0)	48
140 Suction connection cpl FC + filter (9.002-432.0)	50
150 HP inner fitting K5 FC Al (9.013-435.0)	52
160 Electric box complete K5 PC KNA (9.013-831.3)	54
123 RM retainer station (9.012-681.0)	56
131 Wheel in pairs FC 1K D160 (9.002-438.0)	58
903 Spare parts set pedestal rear FC ALU (4.100-775.0)	60



K 5 Power Control Car & Home \*KNA (1.324-571.0)

POS	Article no.	Description	Quantity	Unit
9	6.396-492.0	High pressure hose 18MPa/10 60°C QC B	1	PC
10	2.644-327.0	G 160 Q pistol	1	PC
11	4.760-786.3	VPS middle FC 0205 MS	1	PC
12	4.764-382.3	Dirt blaster middle FC 020 ST	1	PC
13	2.643-767.0	FJ 10 C foam nozzle C 'n' C *Brown Box	1	PC
16	2.644-286.0	WB 130 SZ (incl. universal attachment)	1	PC
17	2.644-342.0	T 5 *KNA	1	PC
22	4.645-365.0	Coupler with label complete	1	PC
109		Pump set complete K5 PC *KNA	1	PC
110	9.048-123.0	2K KNOB black	1	PC
111	9.002-436.0	Spare parts set housing rear	1	PC
112	9.038-456.0	Chassis support FC	2	PC
114	9.038-659.3	Housing Front K4-K5 SCR	1	PC
115	9.002-448.0	Telescopic handle ALU bar FC kpl	2	PC
118	9.039-336.0	Clamp	1	PC
122	9.038-661.3	Bumper K4-K5 PC	1	PC
123	9.012-681.0	RM retainer station	1	PC
125	9.086-221.0	Screw ATF 4.1x22	10	PC
126	7.303-026.0	Screw 4x16 -A2-70 (In6Rd)	8	PC
127	9.002-447.0	Spare part Handle FC packed	1	PC
128	6.465-031.0	Connection 3/4	1	PC
129	9.086-203.0	Screw 4x22	2	PC
130	5.317-896.0	Bolt stand foot	2	PC
131	9.002-438.0	Wheel in pairs FC 1K D160	1	PC
132	9.038-666.3	Holder Gun K5 SCR	1	PC
135	9.038-662.3	Panel Front K5 SCR	1	PC
136	9.002-435.0	Accessory net	1	PC
137	9.038-677.3	Covering cap above FC**	1	PC
901	9.038-444.0	Yellow cover FC 1K wheel D160	2	PC
902	4.100-816.0	Spare parts set support logo K5	1	PC
903	4.100-775.0	Spare parts set pedestal rear FC ALU	1	PC



9 High pressure hose 18MPa/10 60°C QC B (6.396-492.0)

---

<b>POS</b>	<b>Article no.</b>	<b>Description</b>	<b>Quantity</b>	<b>Unit</b>
1	2.640-729.0	O-Ring seal set	1	PC

---



10 G 160 Q pistol (2.644-327.0)

---

<b>POS</b>	<b>Article no.</b>	<b>Description</b>	<b>Quantity</b>	<b>Unit</b>
6	5.332-464.0	Pressure spring	1	PC





11 VPS middle FC 0205 MS (4.760-786.3)

---

<b>POS</b>	<b>Article no.</b>	<b>Description</b>	<b>Quantity</b>	<b>Unit</b>
901	2.640-729.0	O-Ring seal set	1	PC



12 Dirt blaster middle FC 020 ST (4.764-382.3)

---

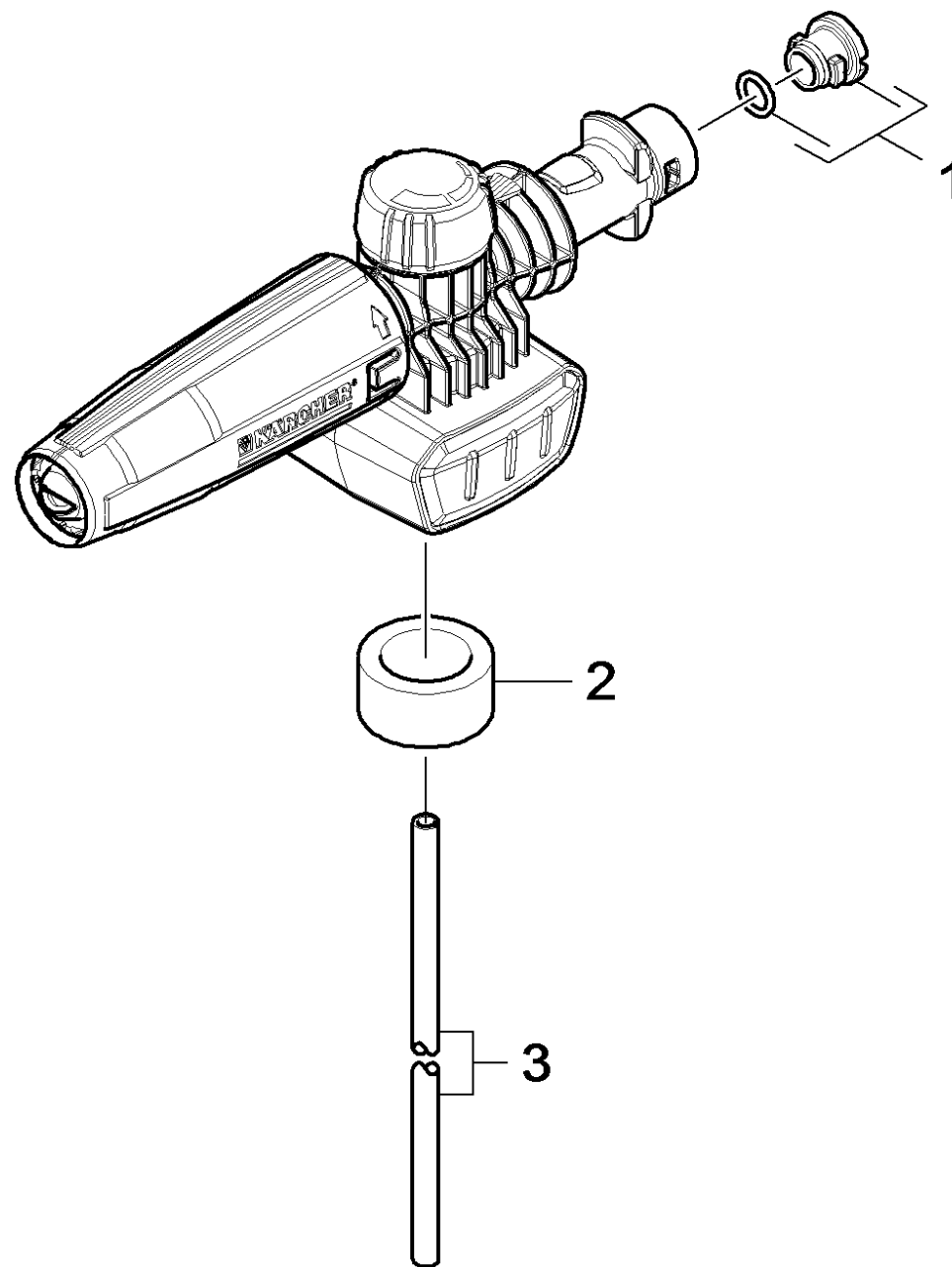
<b>POS</b>	<b>Article no.</b>	<b>Description</b>	<b>Quantity</b>	<b>Unit</b>
9500	2.640-729.0	O-Ring seal set	1	PC

13 FJ 10 C foam nozzle C 'n' C \*Brown Box (2.643-767.0)

---

POS	Description	Quantity	Unit
10	Foam nozzle	1	PC

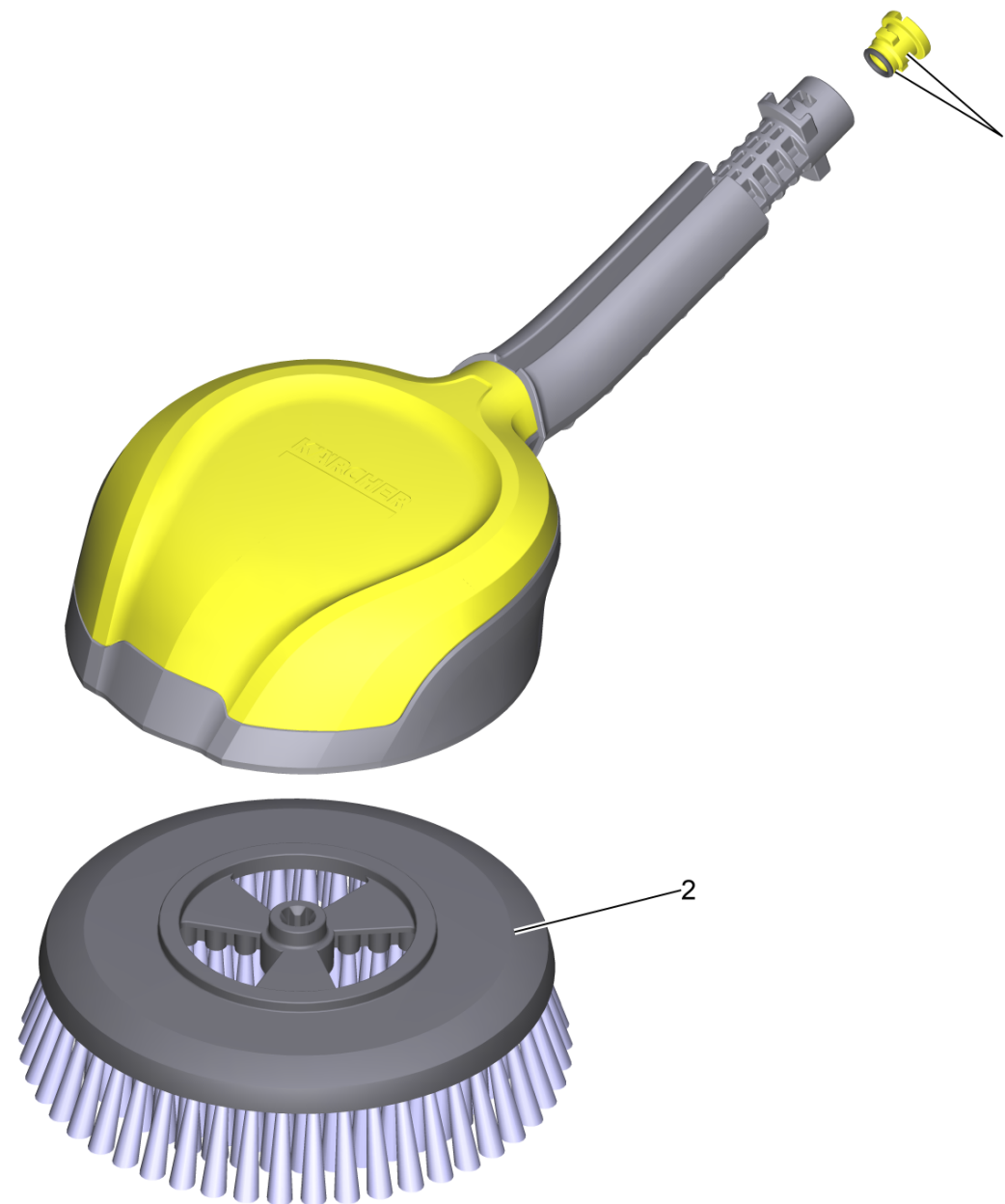
---



## 10 Foam nozzle

---

<b>POS</b>	<b>Article no.</b>	<b>Description</b>	<b>Quantity</b>	<b>Unit</b>	<b>Foot note text</b>
1	2.640-729.0	O-Ring seal set	1	PC	
2	5.367-039.0	Seal	1	PC	
3	6.961-014.0	Hose DN4	1	m	TO ORDER AS CUT GOODS

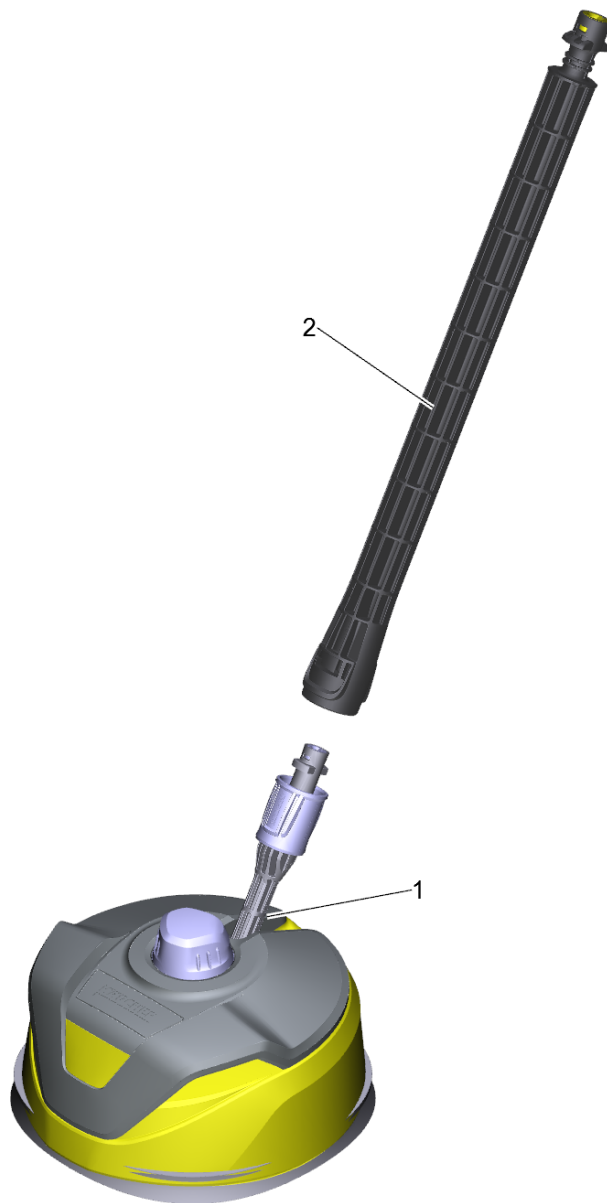




16 WB 130 SZ (incl. universal attachment) (2.644-286.0)

---

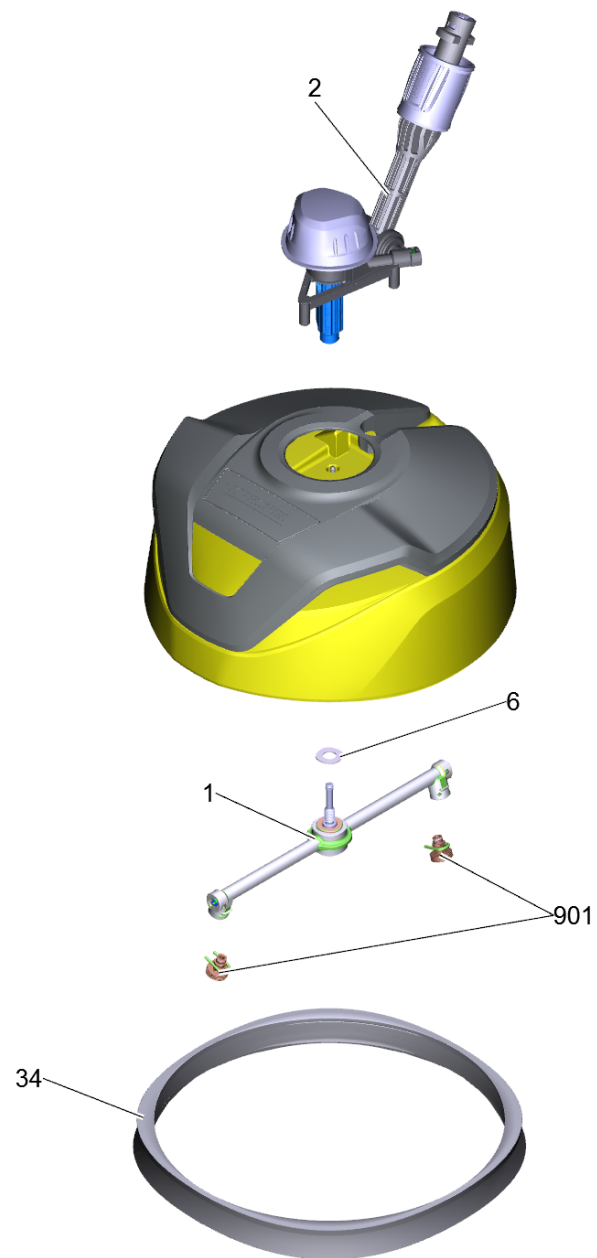
<b>POS</b>	<b>Article no.</b>	<b>Description</b>	<b>Quantity</b>	<b>Unit</b>
1	2.640-729.0	O-Ring seal set	1	PC
2	2.644-289.0	WB 130 interchangeable attachment universal	1	PC



17 T 5 \*KNA (2.644-342.0)

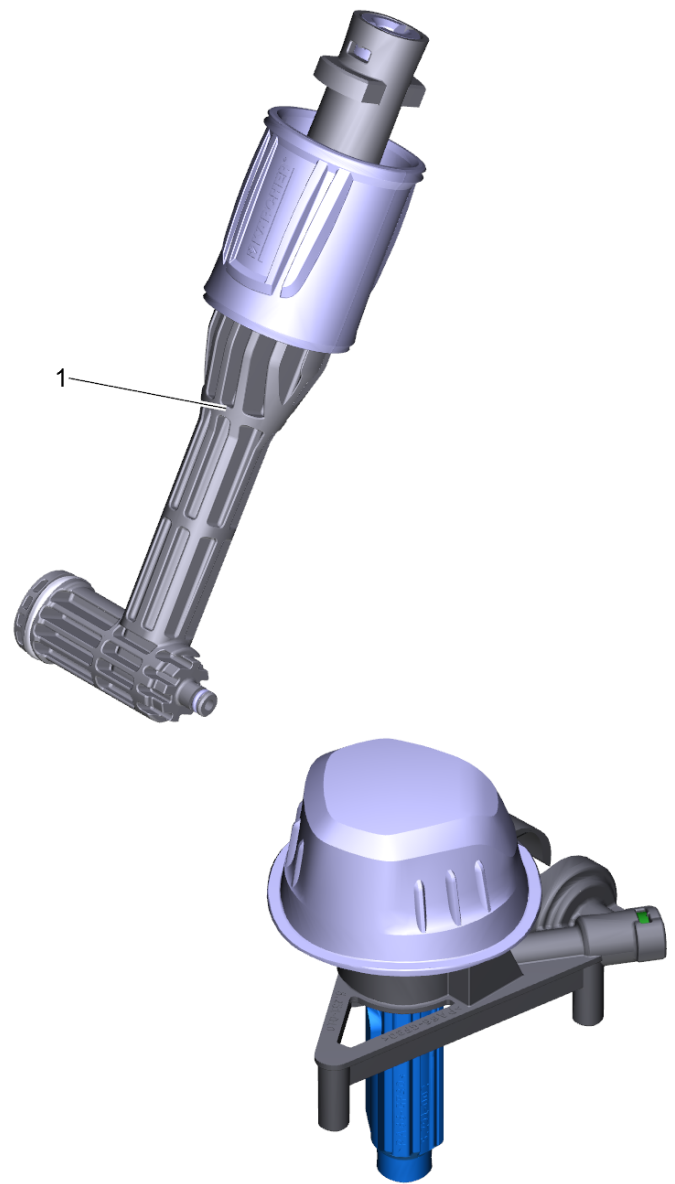
---

POS	Article no.	Description	Quantity	Unit
1		T 5 cpl. *KNA	1	PC
2	4.760-707.0	Jet pipe 0,4m *KNA	1	PC



1 T 5 cpl. \*KNA

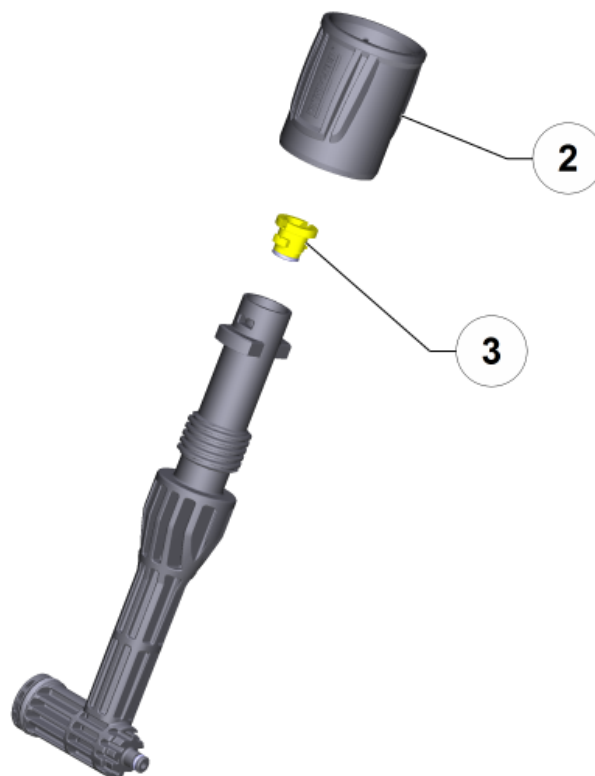
POS	Article no.	Description	Quantity	Unit
1	4.762-603.3	Rotor complete	1	PC
2		Bearing support cpl. *KNA	1	PC
6	5.115-971.0	Washer	1	PC
34	6.371-339.3	Strip brush	1	PC
901	2.644-081.0	replacement nozzles T-Racer	1	PC
901	2.885-477.0	Spare part set nozzles 017	1	PC
	<b>Item text1:</b> 1.601-842.0/-843.0/-942.0/-943.0			



2 Bearing support cpl. \*KNA

---

POS	Description	Quantity	Unit
1	Adapter complete	1	PC

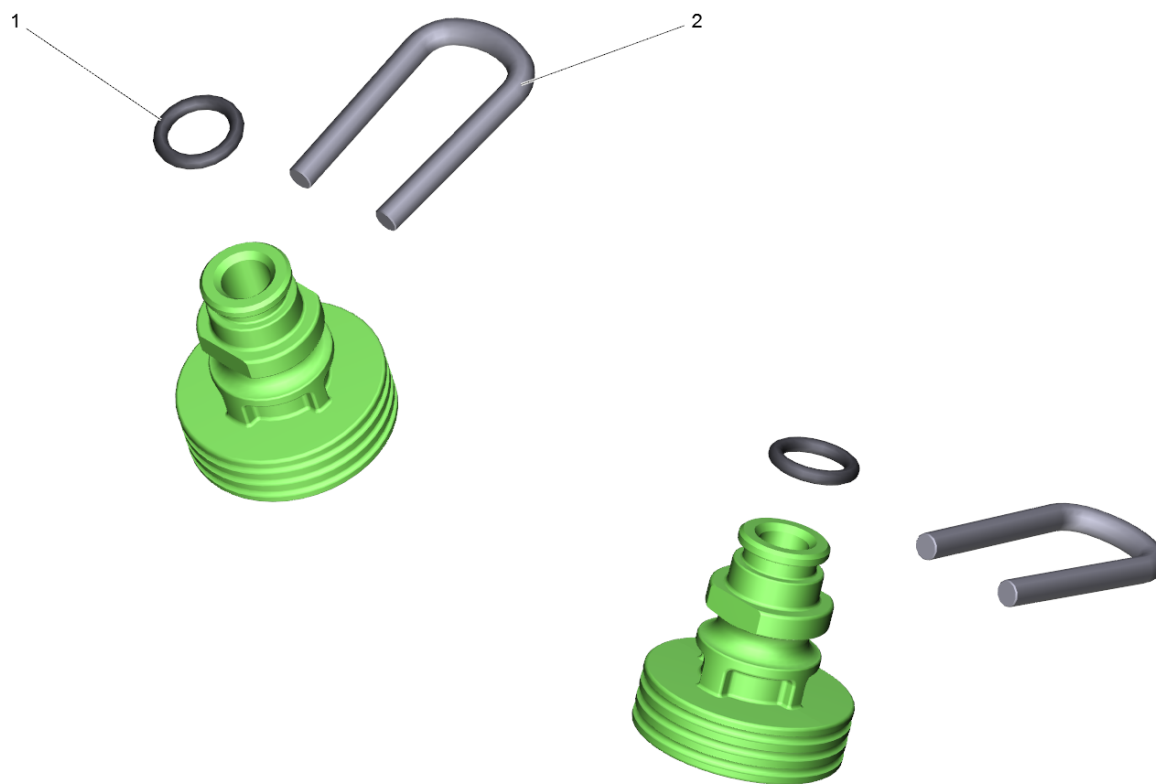




## 1 Adapter complete

---

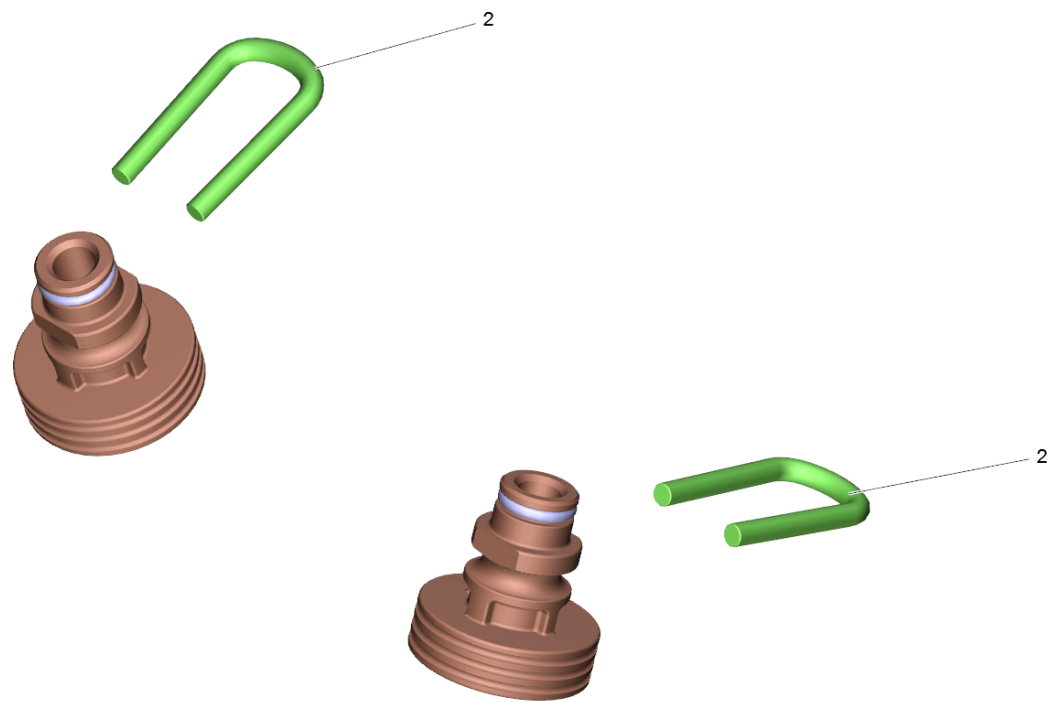
<b>POS</b>	<b>Article no.</b>	<b>Description</b>	<b>Quantity</b>	<b>Unit</b>
2	5.310-160.0	Nut Kaercher	1	PC
3	2.640-729.0	O-Ring seal set	1	PC



901 replacement nozzles T-Racer (2.644-081.0)

---

POS	Article no.	Description	Quantity	Unit
1	6.363-609.0	O-Ring seal 5 x 1,2 -EPDM	2	PC
2	5.037-151.0	Clamp	2	PC

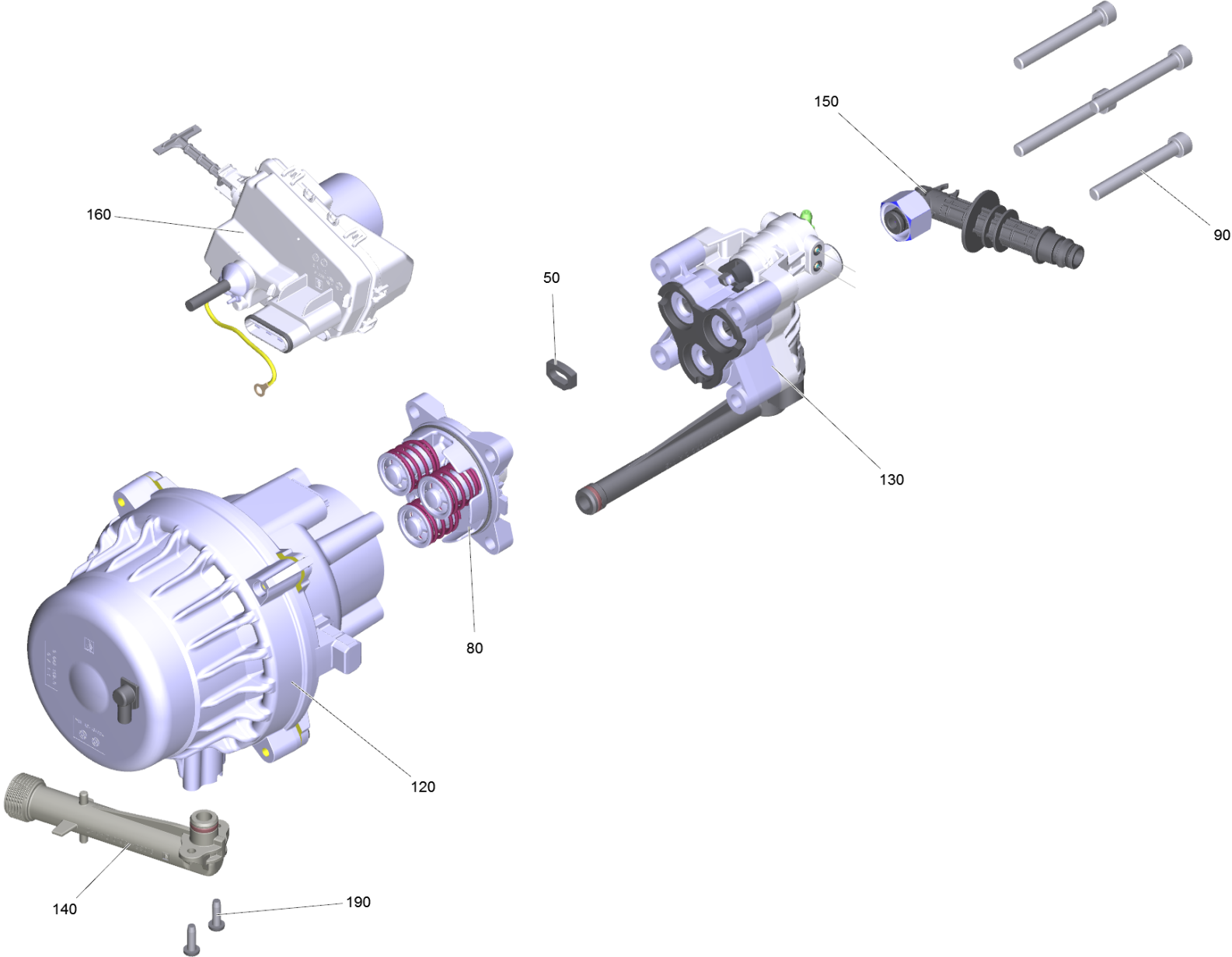


901 Spare part set nozzles 017 (2.885-477.0)

---

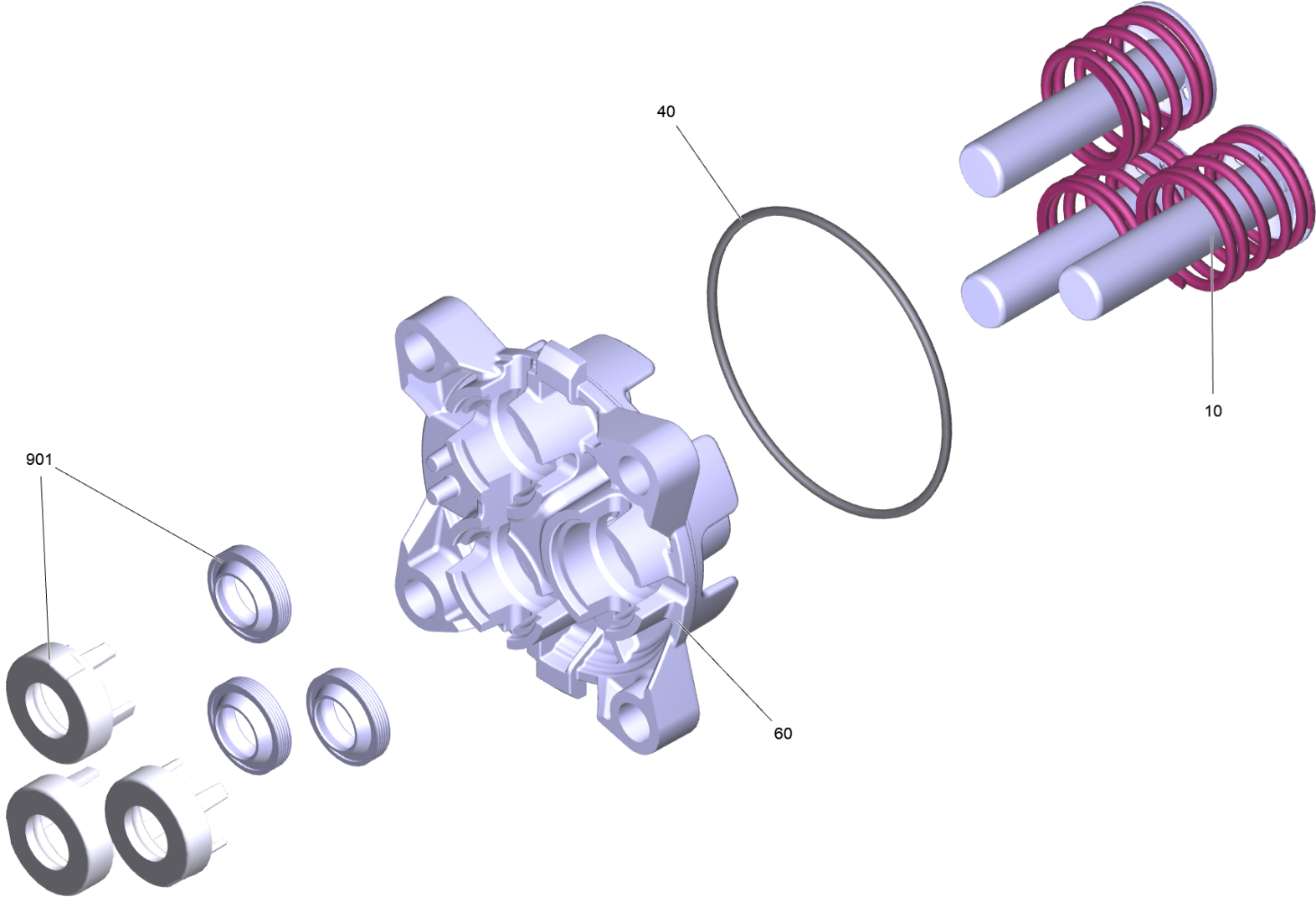
POS	Article no.	Description	Quantity	Unit
2	5.037-151.0	Clamp	1	PC

---



109 Pump set complete K5 PC \*KNA

POS	Article no.	Description	Quantity	Unit
50	9.048-071.0	Spacer - Seal	1	PC
80		Thrust guidance FC/SCR K5	1	PC
90	7.306-151.0	Cylinder head screw M8x65 -8.8-A2E ISO4	4	PC
120	4.100-752.0	Engine complete for replacement	1	PC
130		Pump complete 2K Compact K5 *MX	1	PC
140	9.002-432.0	Suction connection cpl FC + filter	1	PC
150	9.013-435.0	HP inner fitting K5 FC Al	1	PC
160	9.013-831.3	Electric box complete K5 PC KNA	1	PC
190	7.303-076.0	Sheet metal screw ST4,8X13 -St-R2R (In6	2	PC

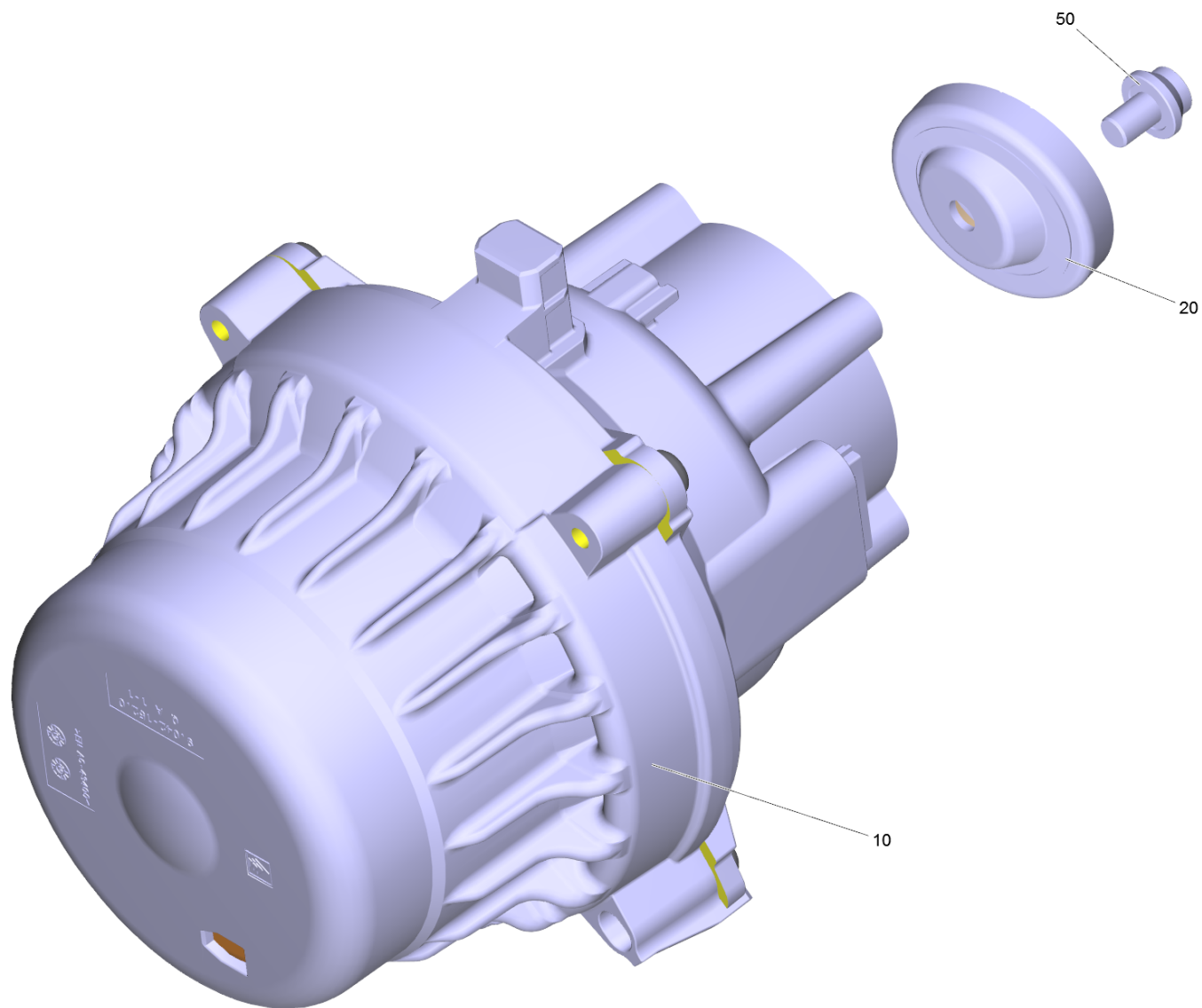




## 80 Thrust guidance FC/SCR K5

---

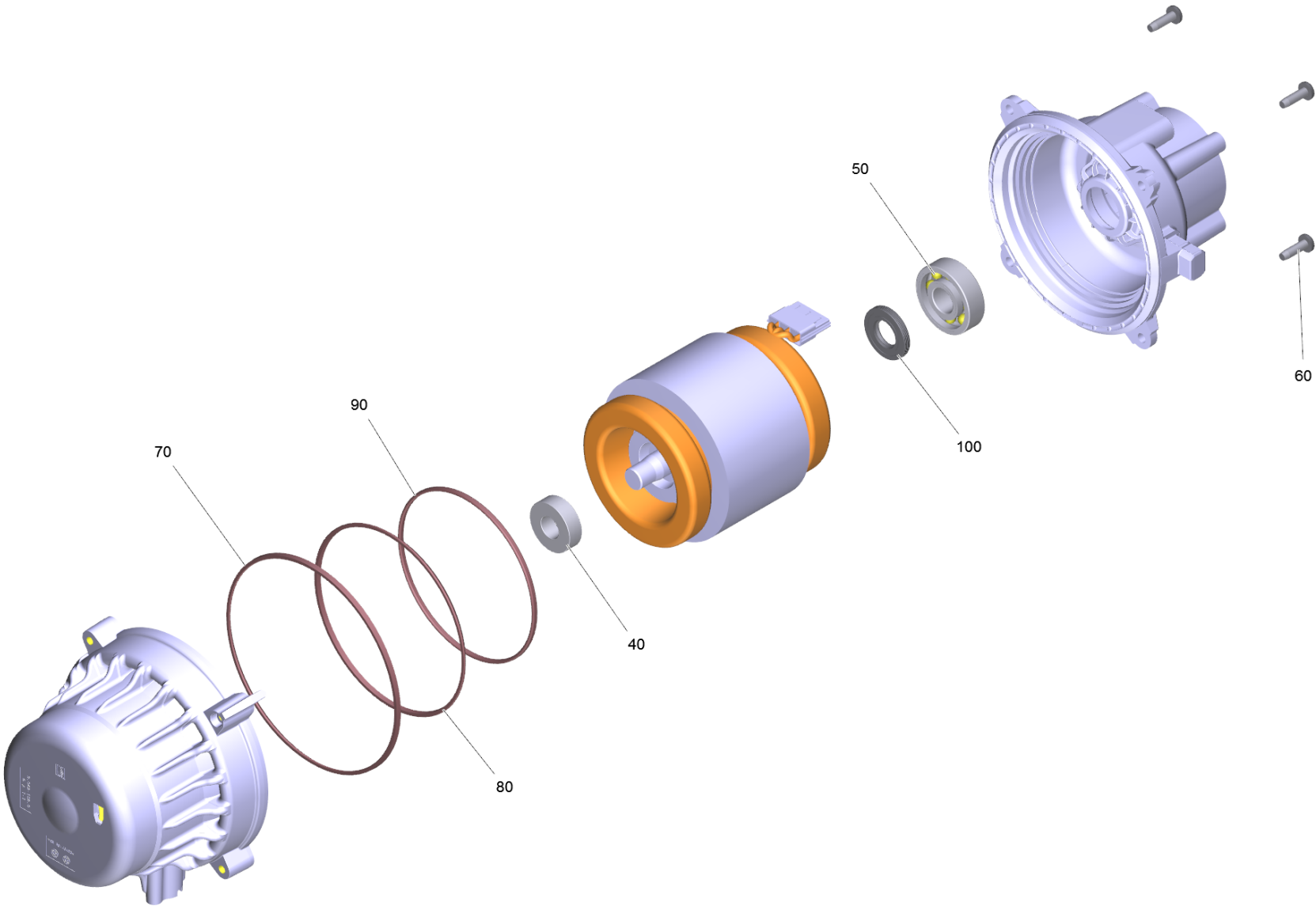
<b>POS</b>	<b>Article no.</b>	<b>Description</b>	<b>Quantity</b>	<b>Unit</b>
10	9.001-927.0	Piston complete	3	PC
40	9.080-425.0	O-Ring seal 60 x 2 NBR 70	1	PC
60	9.042-151.0	Pistons guide pump K5 FC machined	1	PC
901	4.100-832.0	Spare parts set seals	1	PC



## 120 Engine complete for replacement (4.100-752.0)

---

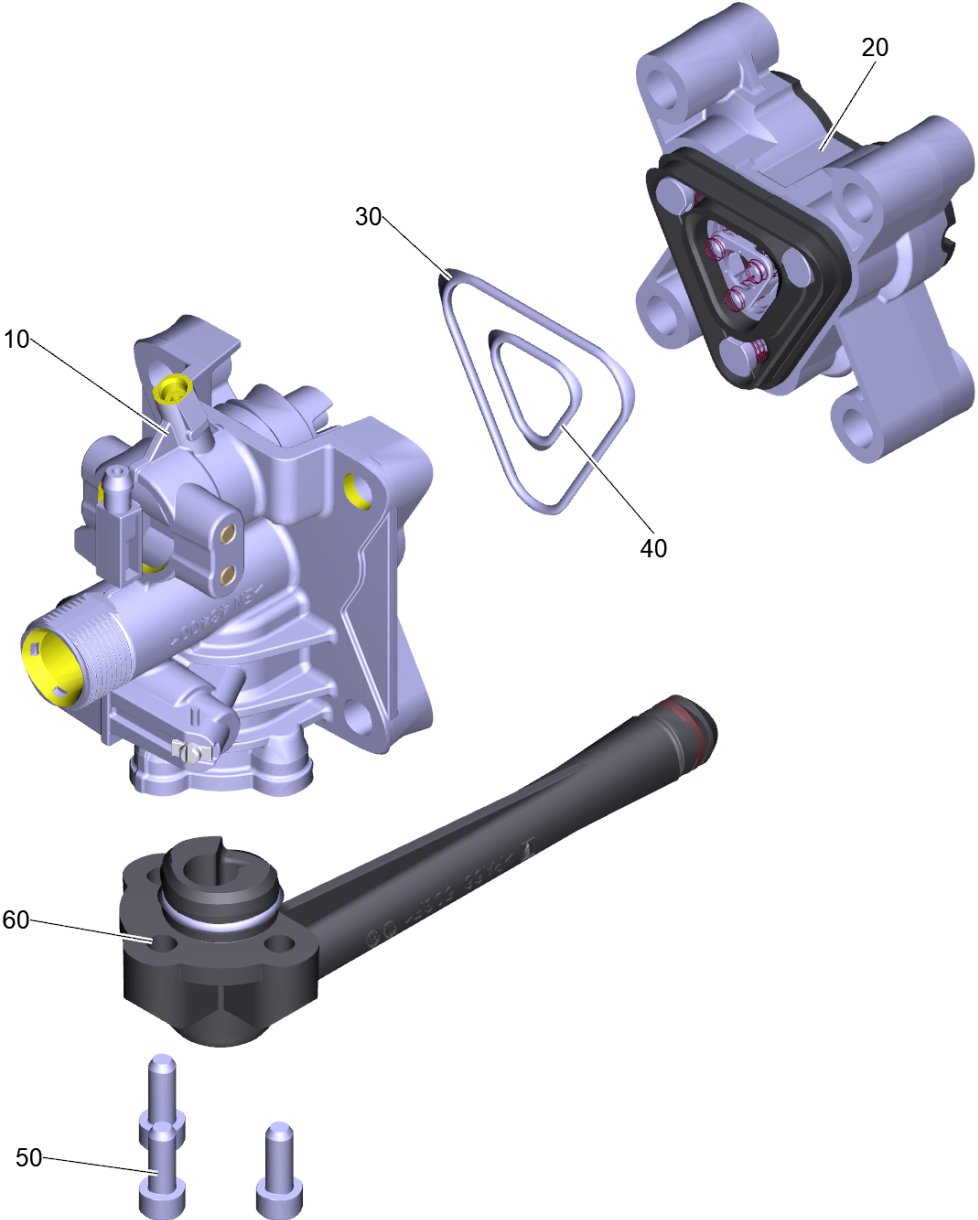
<b>POS</b>	<b>Article no.</b>	<b>Description</b>	<b>Quantity</b>	<b>Unit</b>
10		Motor complete K5 FC Plus	1	PC
20	9.755-308.0	Wobble plate complete replacement 7°17'	1	PC
50	9.086-205.0	Screw	1	PC



## 10 Motor complete K5 FC Plus

---

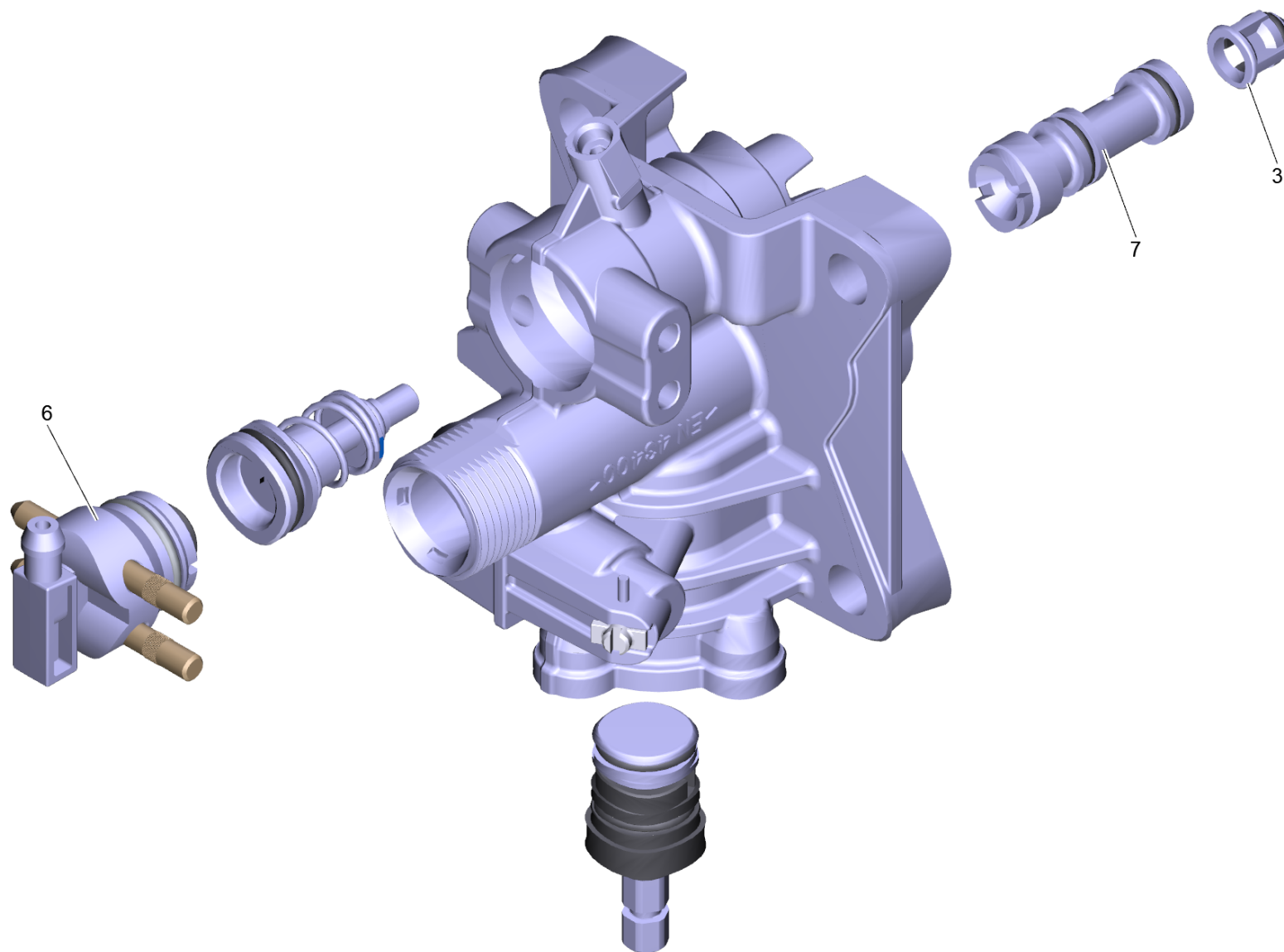
POS	Article no.	Description	Quantity	Unit
40	4.401-198.0	Ball bearing 6202-2RS -Wälzl.St DIN 625	1	PC
50	7.401-136.0	Ball bearing 6303 St DIN 625 17x47x14	1	PC
60	7.306-092.0	Screw M6x20-ST- 8.8-R3R (IN6RD)	4	PC
70	9.080-503.0	O-ring d.113,0x3.0 EPDM 70	1	PC
80	9.080-504.0	O-Ring seal 124x3 EPDM 70	2	PC
90	9.080-505.0	O-Ring seal 142.2x3 EPDM 70	1	PC
100	9.078-021.0	Grooved ring 17x35x5	1	PC



## 130 Pump complete 2K Compact K5 \*MX

---

<b>POS</b>	<b>Article no.</b>	<b>Description</b>	<b>Quantity</b>	<b>Unit</b>
10	9.013-693.3	Manifold complete 2K Compact K5 MX	1	PC
20	9.002-456.0	Pump head Alu FC ric	1	PC
30	9.081-424.0	Form seal	1	PC
40	9.081-584.0	Seal GABBIETTA TRIPLA 90Shore	1	PC
50	9.086-199.0	Screw M6x16	3	PC
60	9.013-346.0	Manifold fitting K5 FC kpl	1	PC

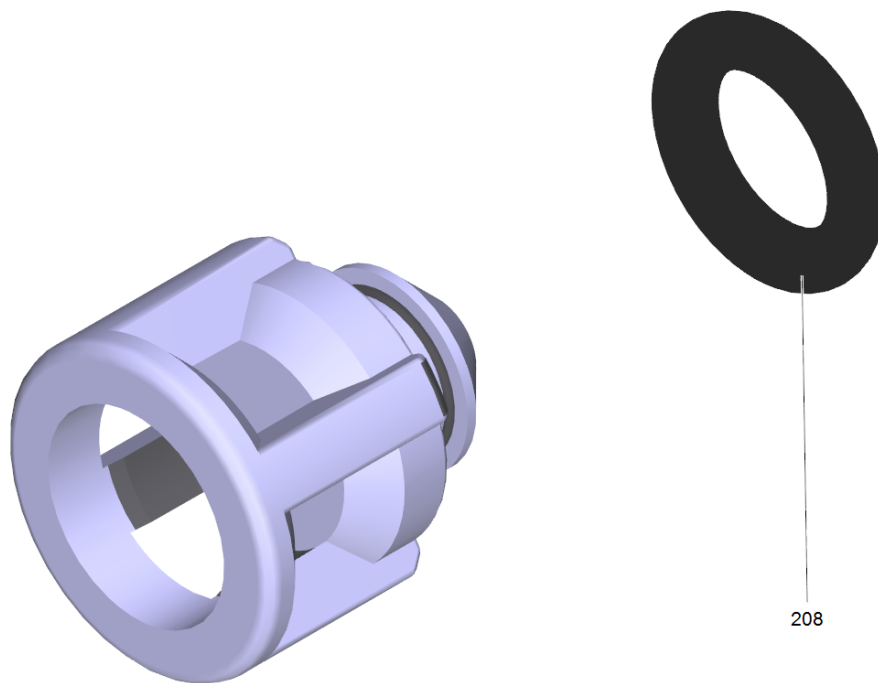




10 Manifold complete 2K Compact K5 MX (9.013-693.3)

---

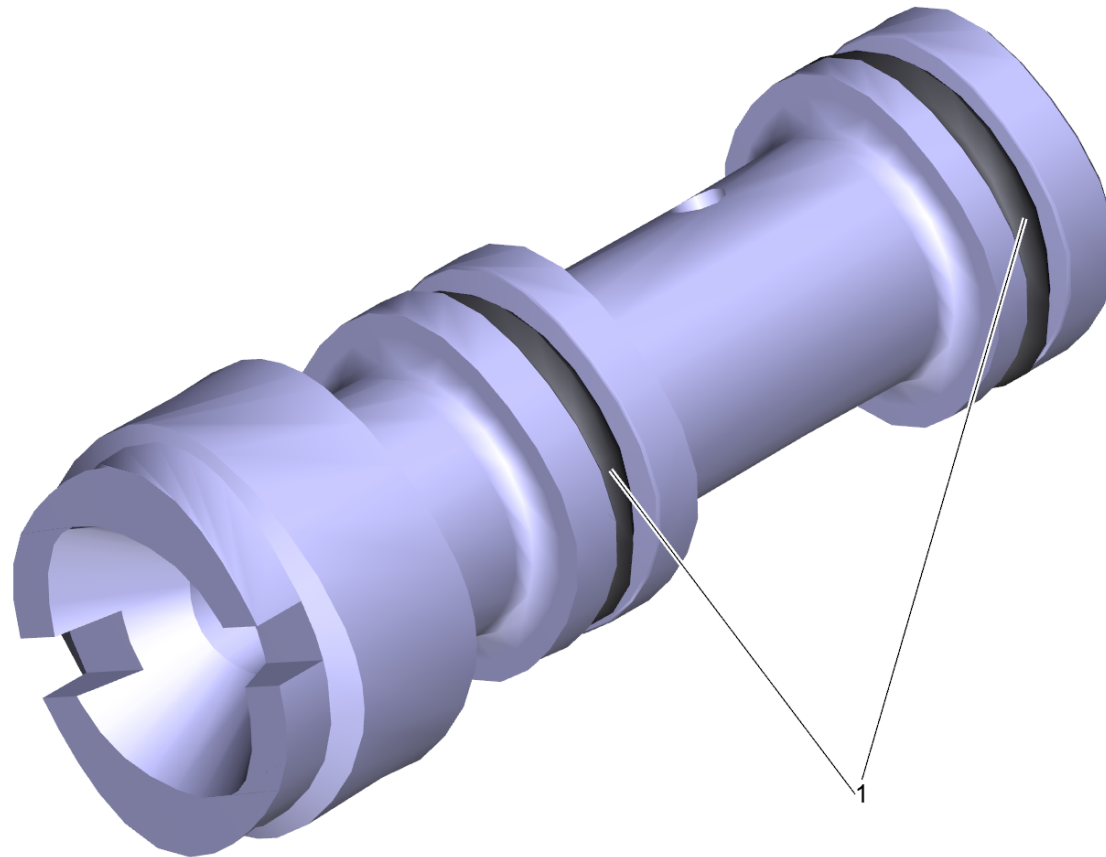
<b>POS</b>	<b>Article no.</b>	<b>Description</b>	<b>Quantity</b>	<b>Unit</b>
3	4.584-022.0	Valve pin complete	1	PC
6	9.001-277.0	Spare parts set chemistry	1	PC
7		Insert nozzle FC	1	PC



3 Valve pin complete (4.584-022.0)

---

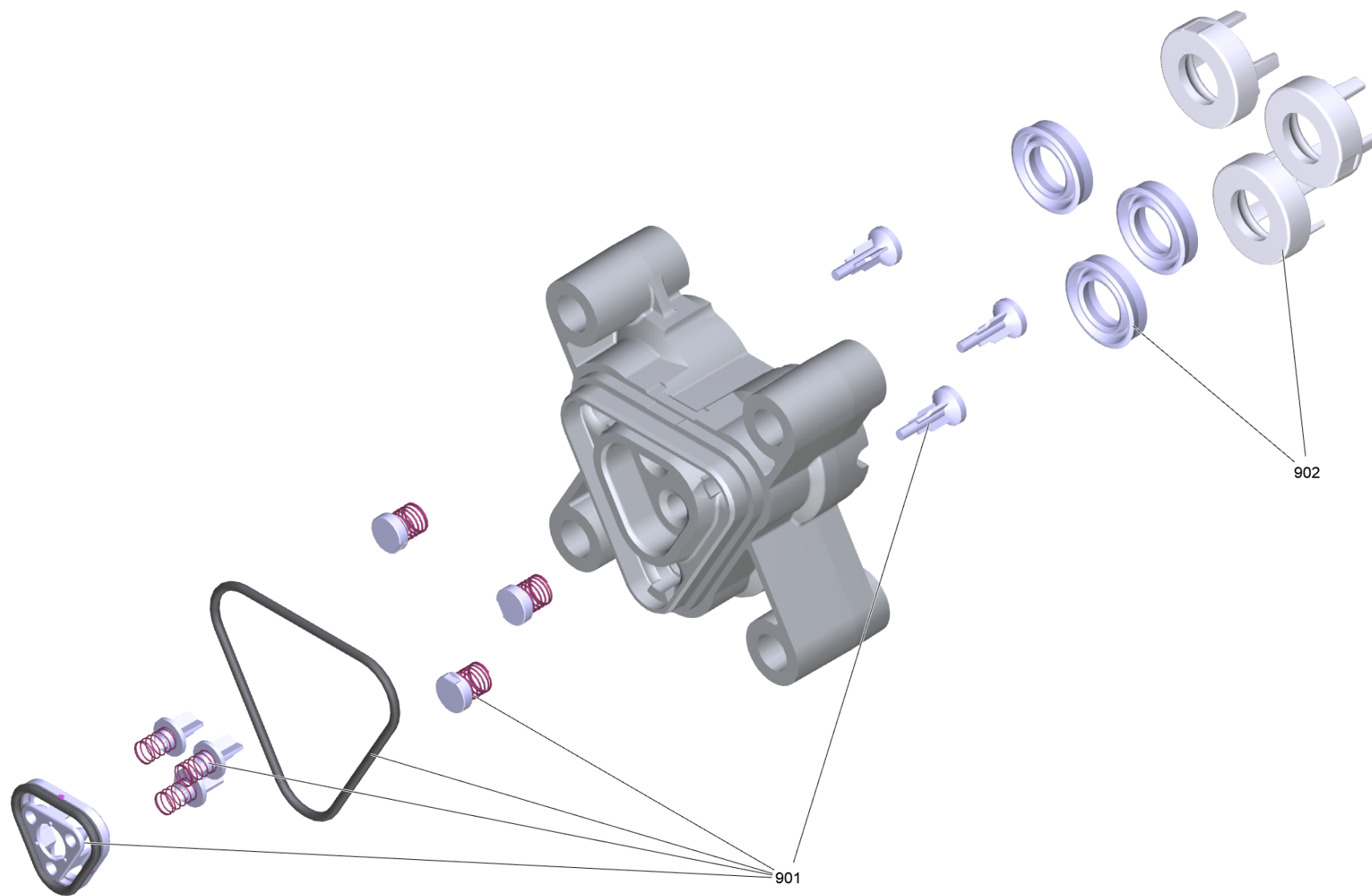
<b>POS</b>	<b>Article no.</b>	<b>Description</b>	<b>Quantity</b>	<b>Unit</b>
208	6.363-613.0	O-Ring seal 4 x 2 -NBR90	1	PC



## 7 Insert nozzle FC

---

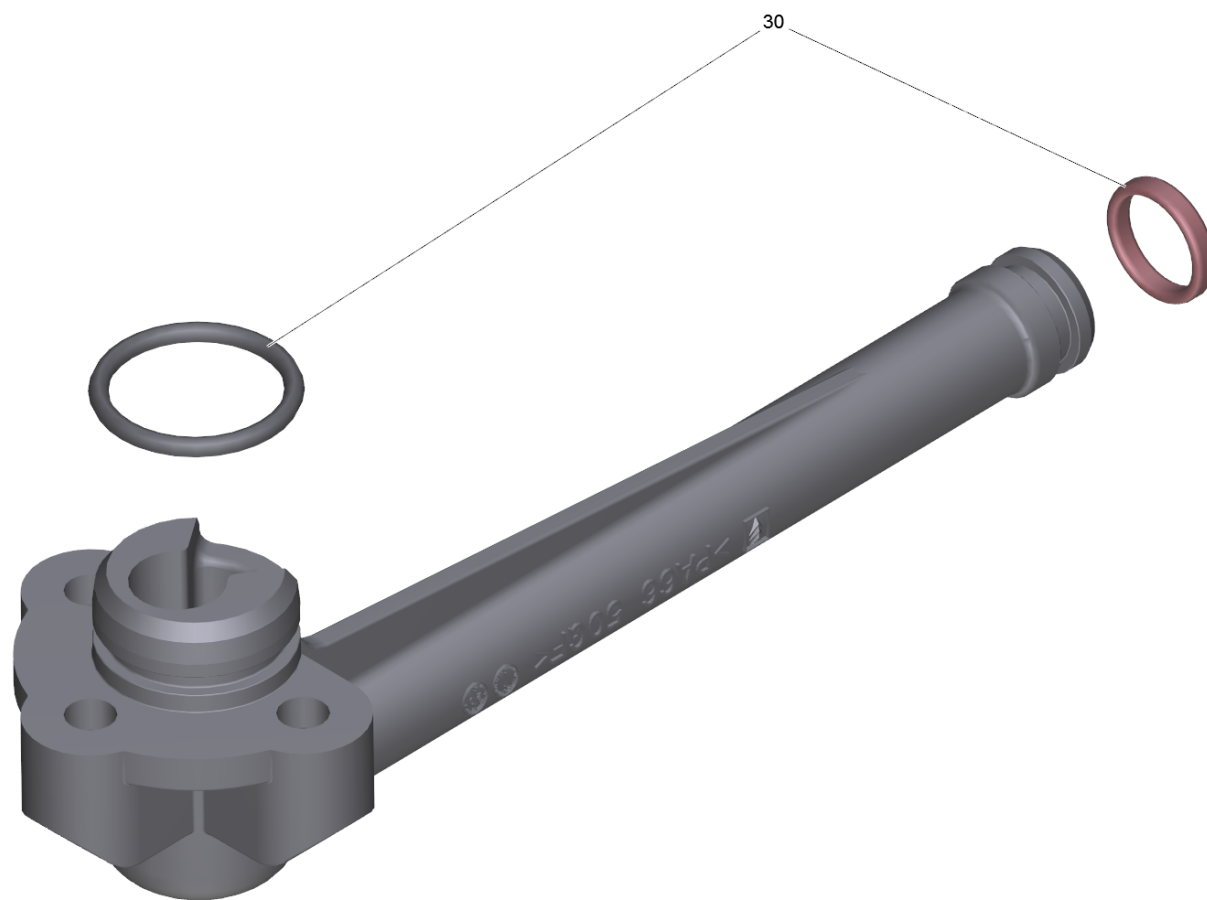
<b>POS</b>	<b>Article no.</b>	<b>Description</b>	<b>Quantity</b>	<b>Unit</b>
1	9.080-472.0	O-ring 9 x 1,5 NBR 70	2	PC



20 Pump head Alu FC ric (9.002-456.0)

---

<b>POS</b>	<b>Article no.</b>	<b>Description</b>	<b>Quantity</b>	<b>Unit</b>
901	4.100-829.0	Spare parts set valves	1	PC
902	4.100-832.0	Spare parts set seals	1	PC

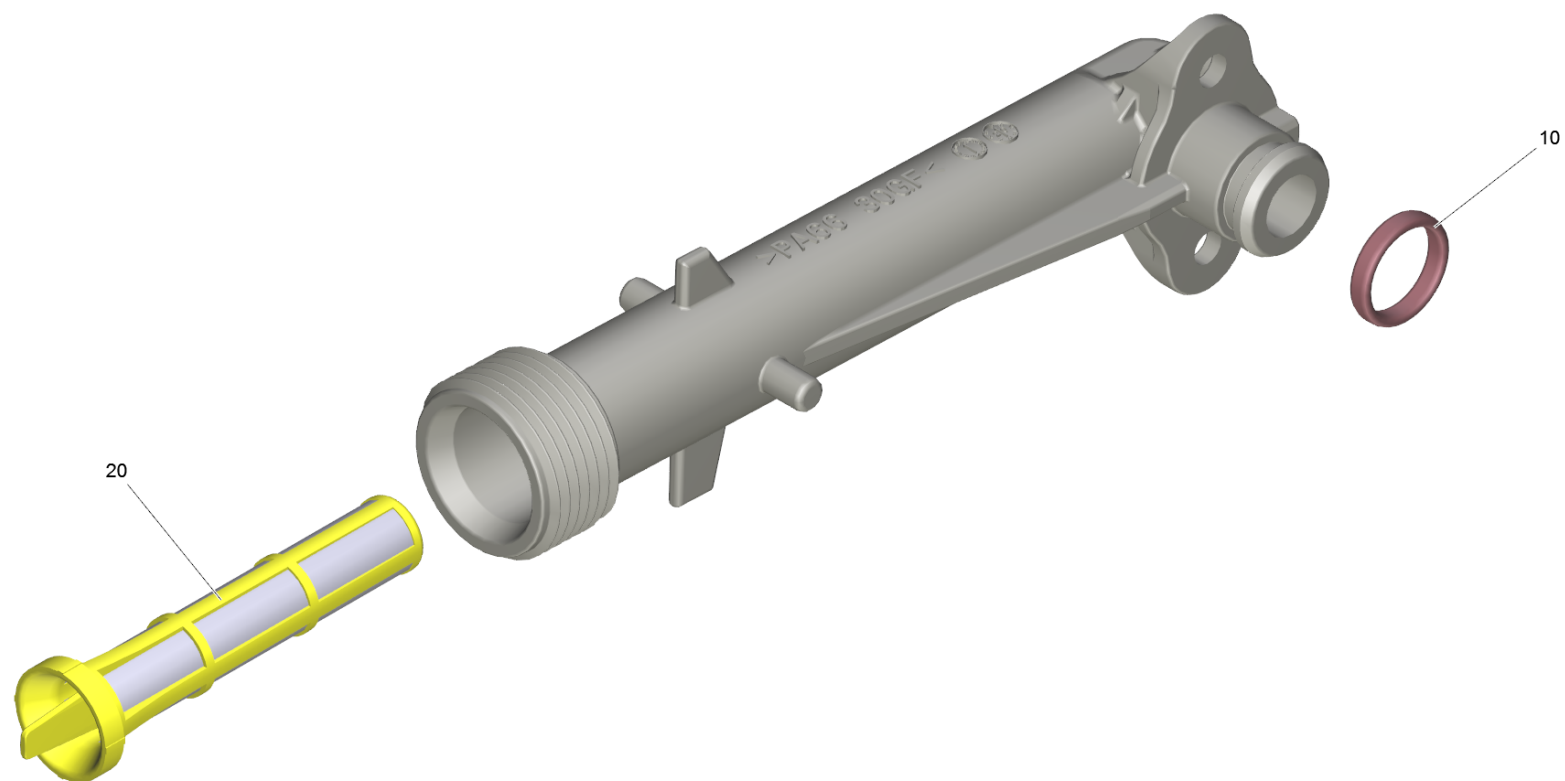




60 Manifold fitting K5 FC kpl (9.013-346.0)

---

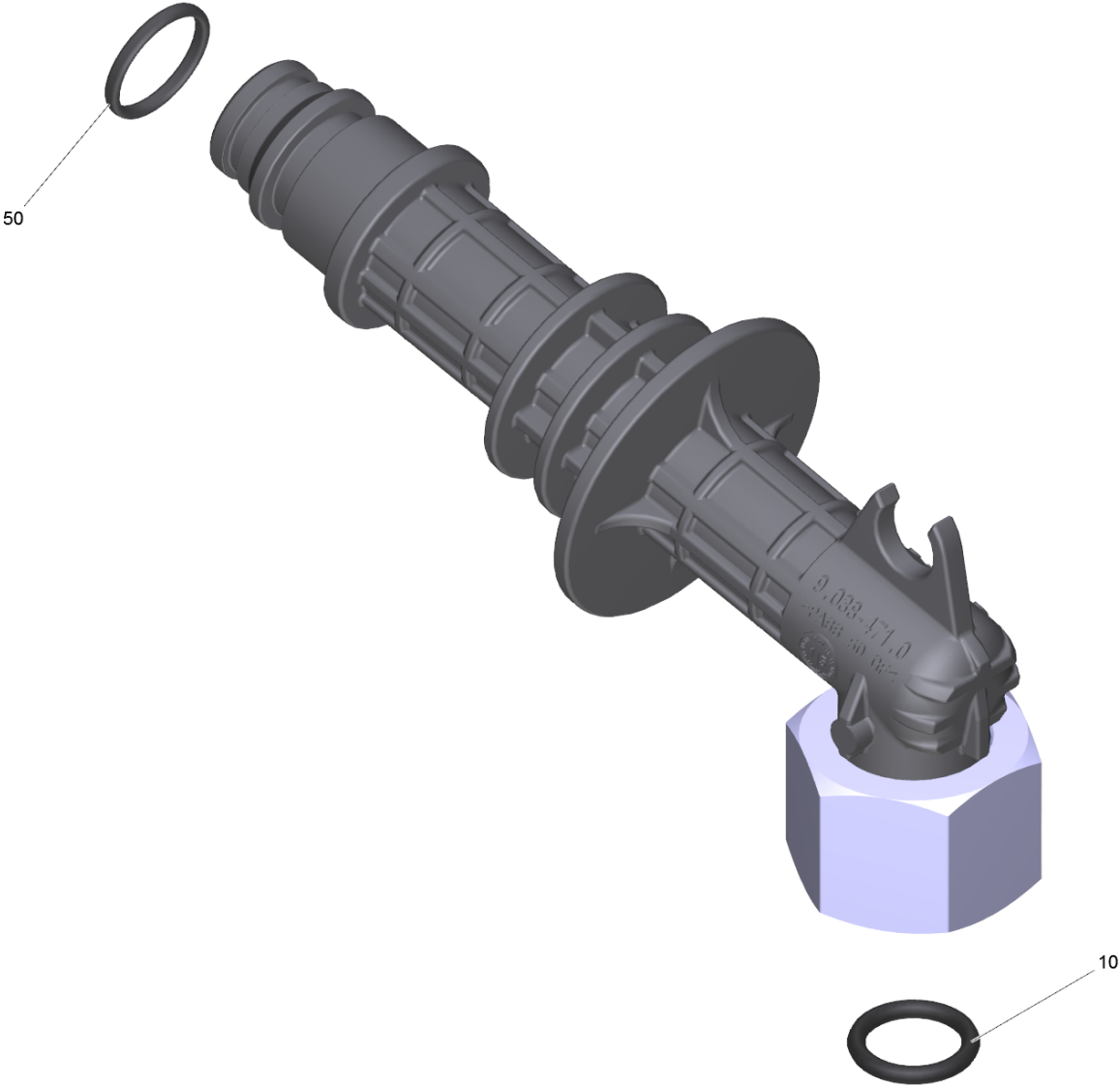
<b>POS</b>	<b>Article no.</b>	<b>Description</b>	<b>Quantity</b>	<b>Unit</b>
30	9.002-444.0	kIT O-ring Manifold fitting pump K5 FC	1	PC



140 Suction connection cpl FC + filter (9.002-432.0)

---

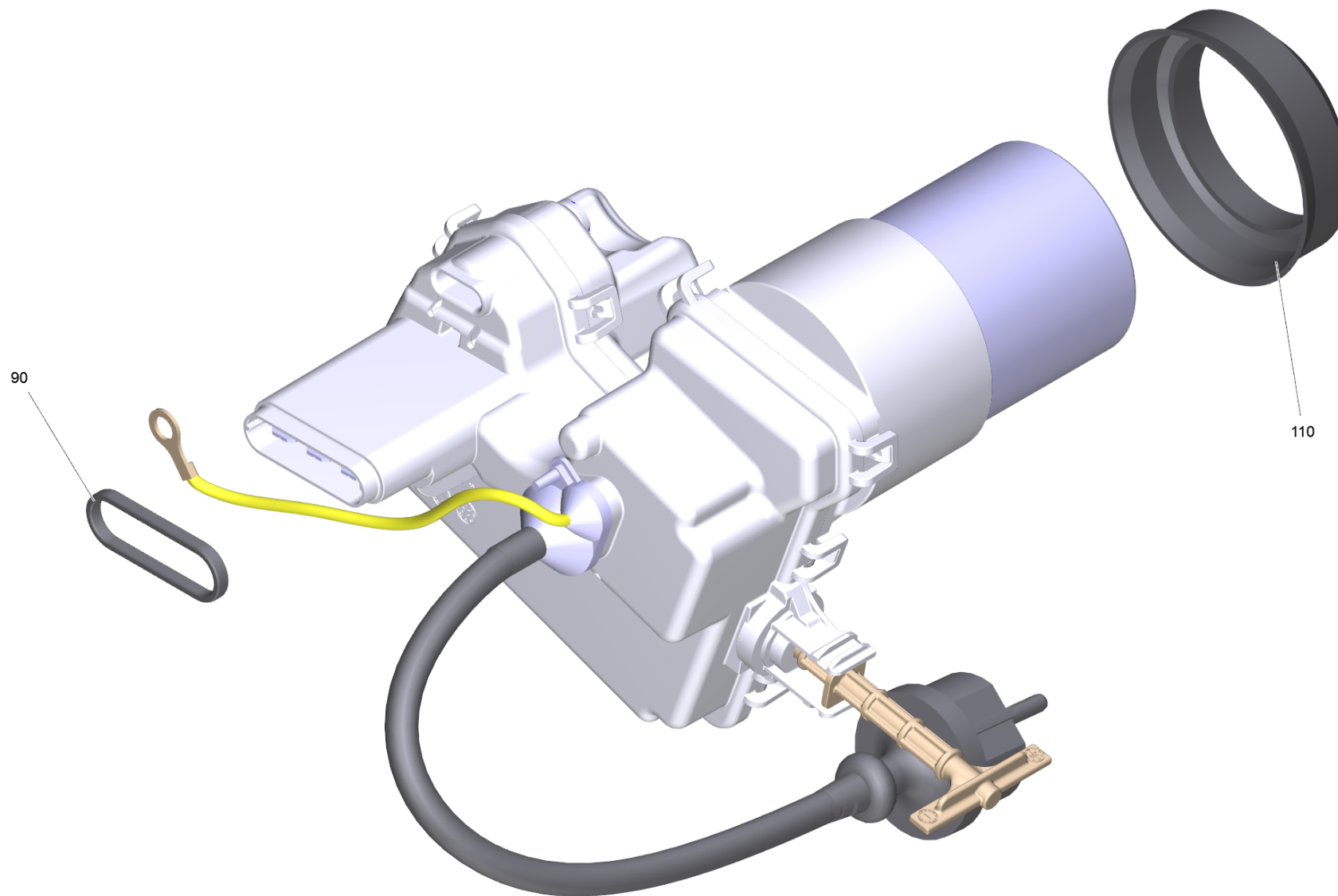
<b>POS</b>	<b>Article no.</b>	<b>Description</b>	<b>Quantity</b>	<b>Unit</b>
10	9.080-513.0	OR 12x2.1 EPDM 70 perox	1	PC
20	5.731-021.0	Fine filter K4/K5	1	PC



150 HP inner fitting K5 FC AI (9.013-435.0)

---

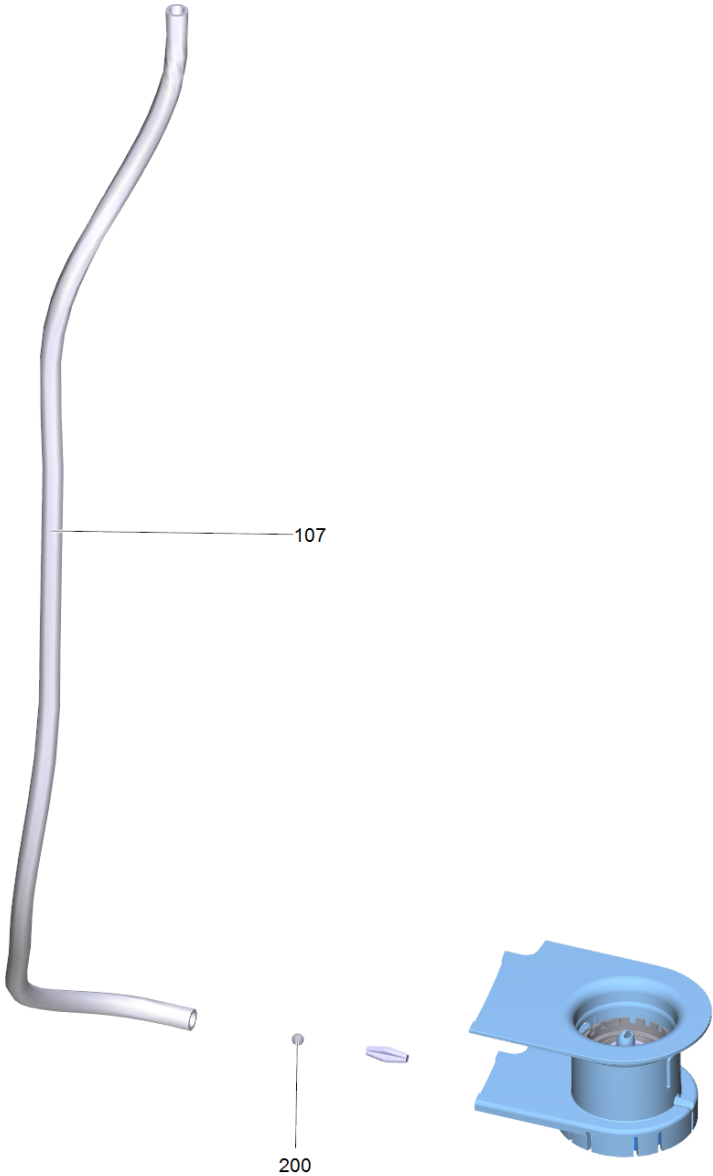
POS	Article no.	Description	Quantity	Unit
10	6.362-151.0	O-Ring d. 10 x 2 NBR 70	1	PC
50	9.080-422.0	O-RING 11,5X1,5 NBR 70	1	PC



160 Electric box complete K5 PC KNA (9.013-831.3)

---

<b>POS</b>	<b>Article no.</b>	<b>Description</b>	<b>Quantity</b>	<b>Unit</b>
90	9.080-494.0	OR 20x2 EPDM70ShA PTFE	1	PC
110	9.080-465.0	Joint ring capacitor d.45, 70 Shore	1	PC

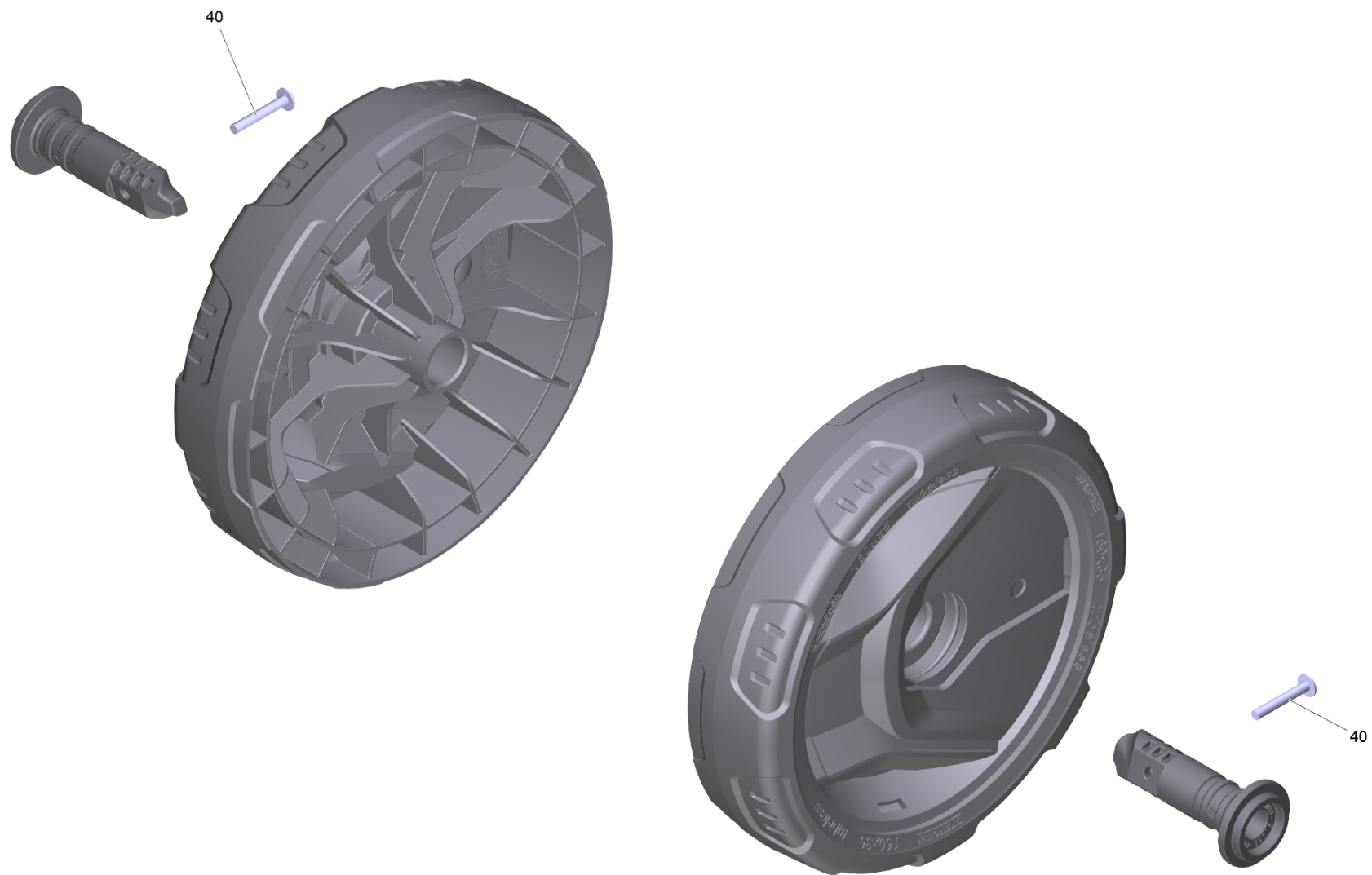




123 RM retainer station (9.012-681.0)

---

<b>POS</b>	<b>Article no.</b>	<b>Description</b>	<b>Quantity</b>	<b>Unit</b>	<b>Foot note text</b>
107	6.391-336.0	Hose	0,18	m	TO ORDER AS CUT GOODS
200	7.401-911.0	Sphere 4 -PP DIN 5401	1	PC	

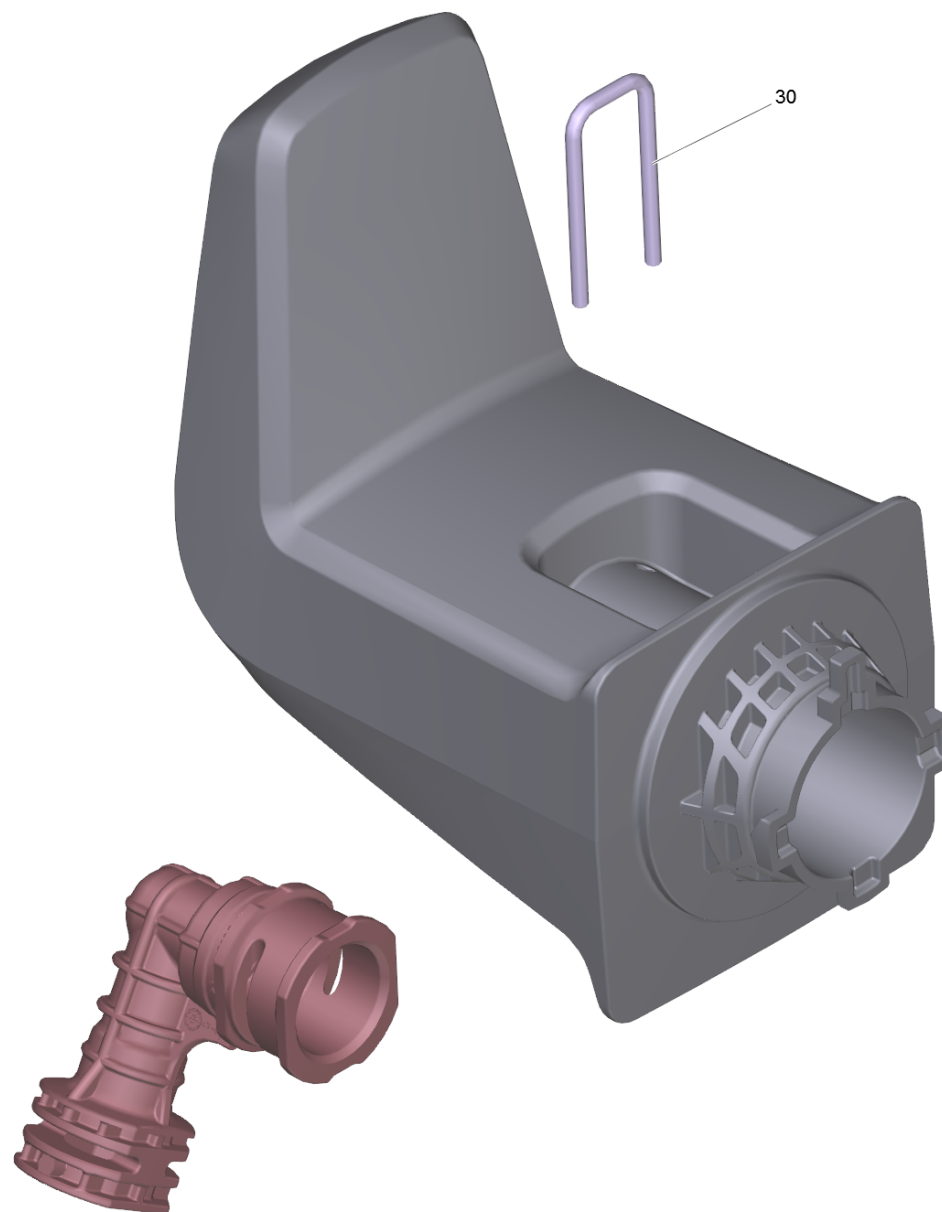


131 Wheel in pairs FC 1K D160 (9.002-438.0)

---

<b>POS</b>	<b>Article no.</b>	<b>Description</b>	<b>Quantity</b>	<b>Unit</b>
40	9.086-221.0	Screw ATF 4.1x22	1	PC

---



903 Spare parts set pedestal rear FC ALU (4.100-775.0)

---

<b>POS</b>	<b>Article no.</b>	<b>Description</b>	<b>Quantity</b>	<b>Unit</b>
30	9.039-566.0	Clamp fitting	1	PC

---