

# USE AND CARE GUIDE

---

## BOOK CASE



Questions, problems, missing parts? Before returning to the store,  
call Home Decorators Collection Customer Service.  
8 a.m. – 7 p.m., EST, Monday – Friday, 9 a.m. – 6 p.m., EST, Saturday

1-800-986-3460

[HOMEDEPOT.COM/HOMEDECORATORS](http://HOMEDEPOT.COM/HOMEDECORATORS)

---

### **THANK YOU**

*We appreciate the trust and confidence you have placed in Home Decorators Collection through the purchase of this book case. We strive to continually create quality products designed to enhance your home. Visit us online to see our full line of products available for your home improvement needs. Thank you for choosing Home Decorators Collection!*

# Table of Contents

Table of Contents.....	2	Pre-assembly (continued) .....	4
Safety Information.....	2	Package Contents .....	4
Warranty .....	2	Assembly .....	5
3 Year Warranty .....	2	Assembly .....	6
What is Covered .....	2	Assembly .....	7
What is Not Covered .....	2	Assembly .....	8
Pre-assembly.....	3	Maintenance.....	9
Planning Assembly.....	3	Care and Cleaning .....	9
Hardware Included.....	3		

# Safety Information

## DANGER

- Keep small parts away from children during assembly.
- Read and follow instructions carefully.

## WARNING

- Read these instructions carefully and keep in a safe place.
- TO GUARANTEE THE SAFE USE OF THIS PRODUCT, FOLLOW THE WARNINGS, GUIDELINES AND RECOMMENDATIONS IN THIS MANUAL.
- Adult assembly required.
- Small parts may present choking hazard prior to assembly.
- Do not stand, step or climb on unit.

## CAUTION

- Do not use power tools to assemble your item.
- Power tools may strip or damage parts/product.
- Do not over tighten connectors (screws, bolts, etc.) Overtightening can lead to product damage.
- Be sure to check all packing materials carefully for small parts that may have come loose inside the carton during shipment. If parts are missing, contact THE HOME DEPOT to obtain any missing parts.
- DO NOT USE SUBSTITUTE PARTS.
- This product should only be used on a flat, level surface.
- Product is designed to hold 20 lbs. Exceeding this limit may damage the product or cause injury to the user.

# Warranty

## 3 YEAR WARRANTY

### WHAT IS COVERED

We guarantee this product to be free of manufacturing defects to the original purchaser for three years.

### WHAT IS NOT COVERED

This warranty does not cover commercial use, acts of nature, and abusive use.

# Pre-assembly

## PLANNING ASSEMBLY

Keep children and pets away from the assembly area. Ensure your area is large enough to unpack, sort, and assemble the unit.

## HARDWARE INCLUDED



**NOTE:** Hardware not shown to actual size.



\_\_\_\_ AA



\_\_\_\_ BB



\_\_\_\_ CC



\_\_\_\_ DD



\_\_\_\_ EE



\_\_\_\_ FF

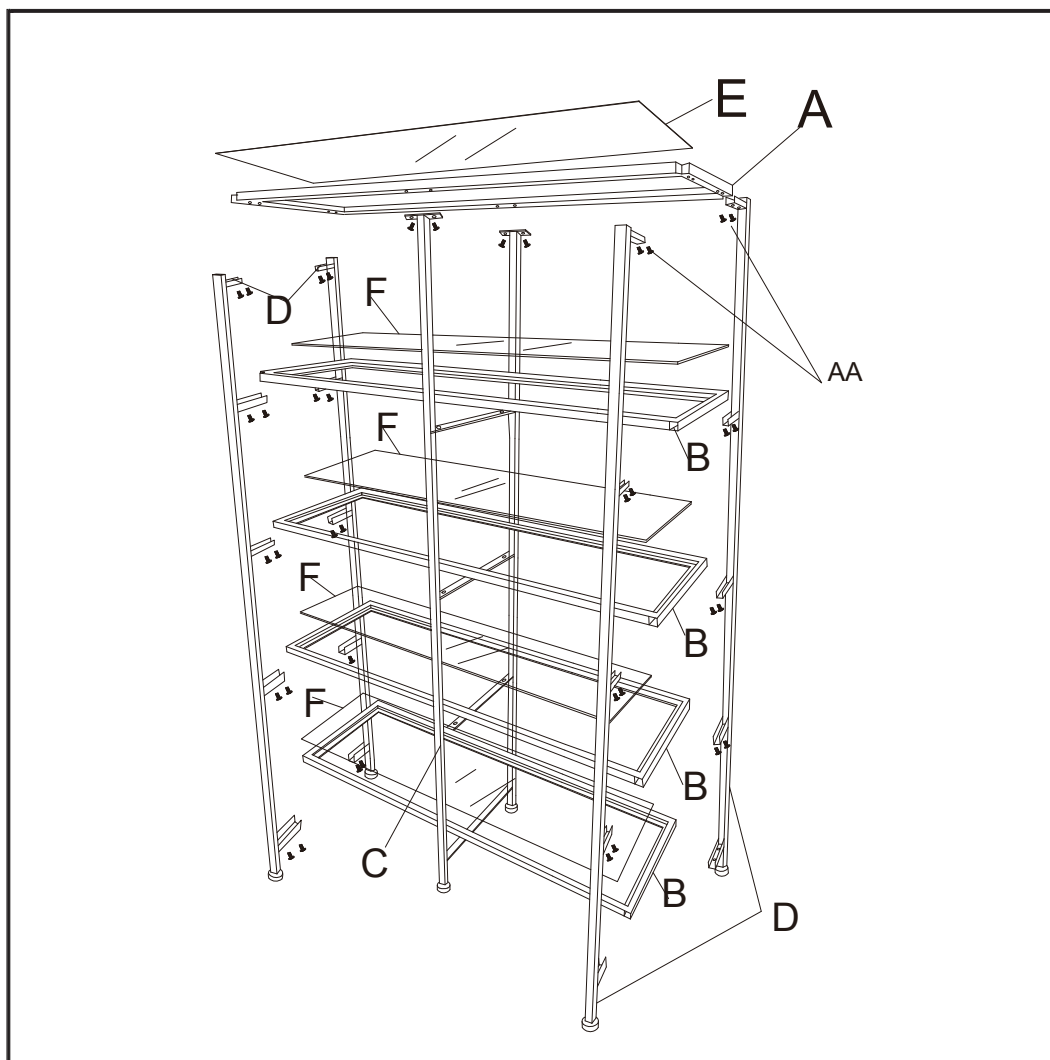


\_\_\_\_ GG

Part	Description	Quantity
AA	Bolt	52
BB	Allen wrench	1
CC	Plastic wall anchors	2
DD	Wall Clip	2
EE	Screw	2
FF	Zip tie	2
GG	Glass bumper	30

# Pre-assembly (continued)

## PACKAGE CONTENTS

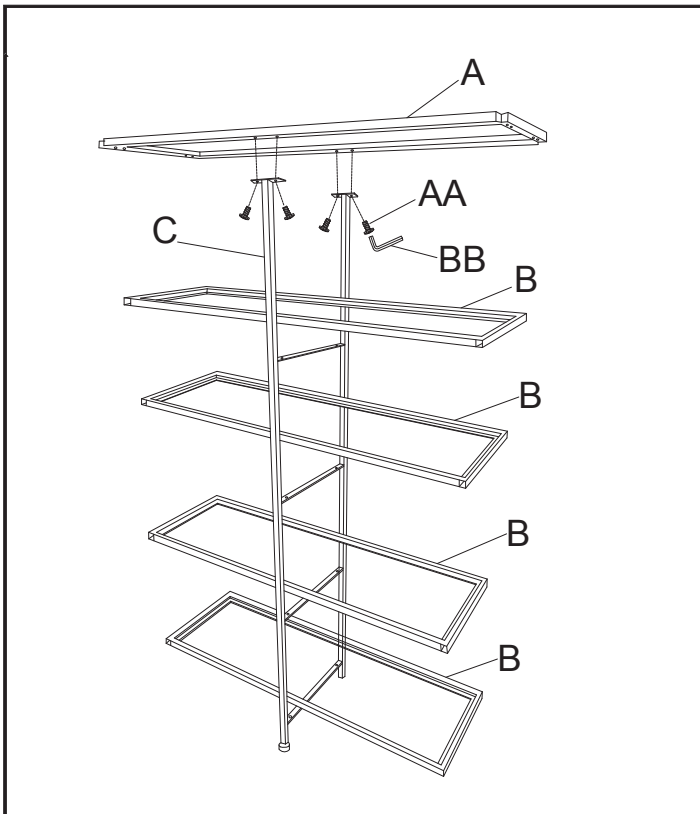


Part	Description	Quantity
A	Metal top frame	1
B	Metal frames for layers 2-5	4
C	Metal frames leg in the middle	1
D	Metal legs for 4 sides	4
E	Top glass panel	1
F	Glass panels	4

# Assembly

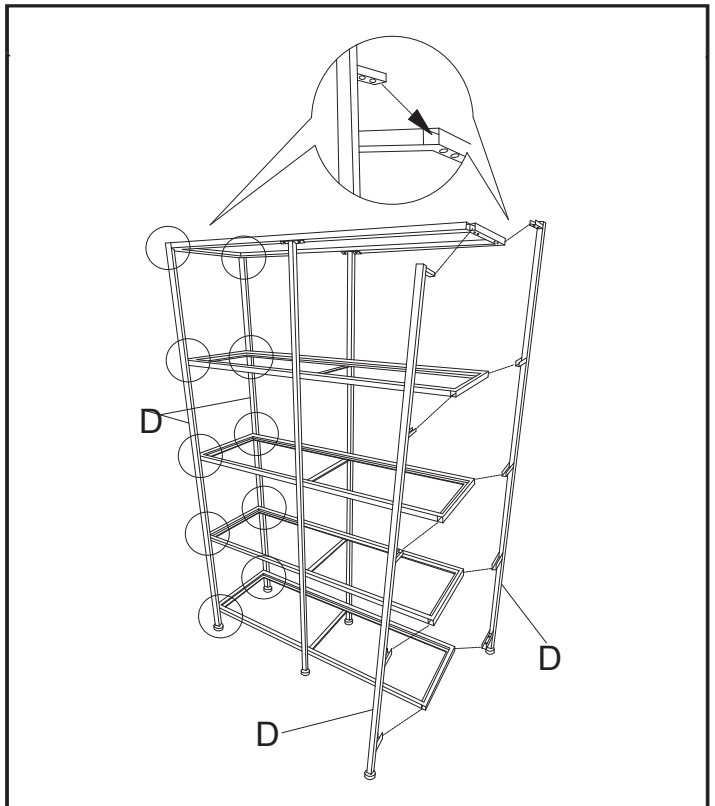
## 1 Attaching the metal frames

- Attach the top frame (A) and frames for layers 2-5 (B) to the middle frame leg (C) with bolts (AA).



## 2 Attaching four metal legs

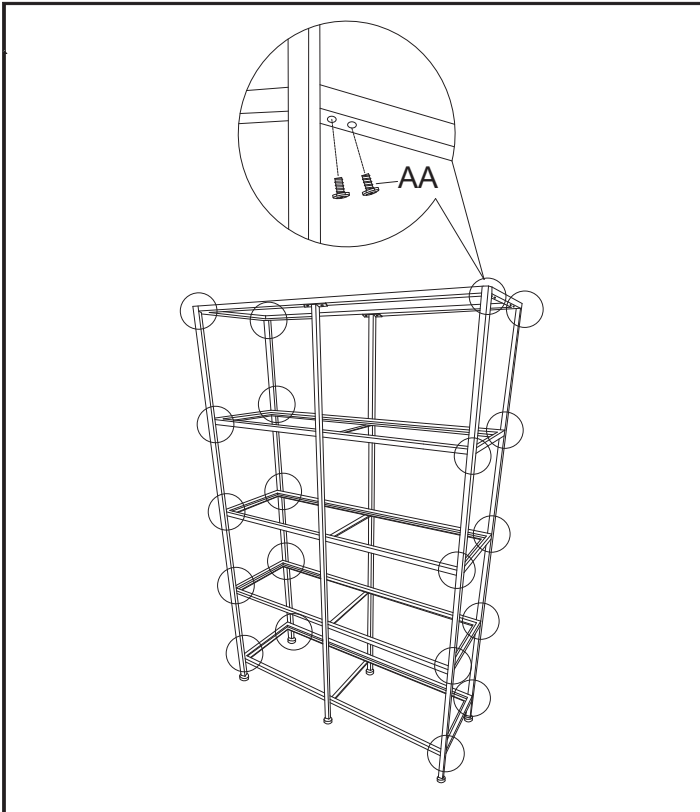
- Attach four metal legs (D) to the frames (A) and (B).



## Assembly (continued)

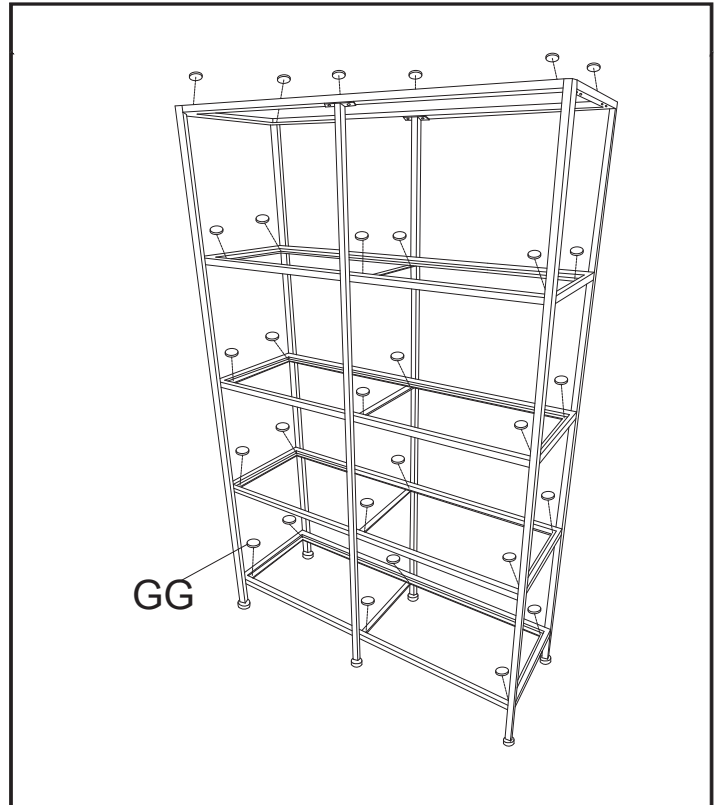
### 3 Securing the shelf together

- Insert locking bolts (AA) into all frame connects to secure the shelf together.



### 4 Attaching glass bumpers (GG)

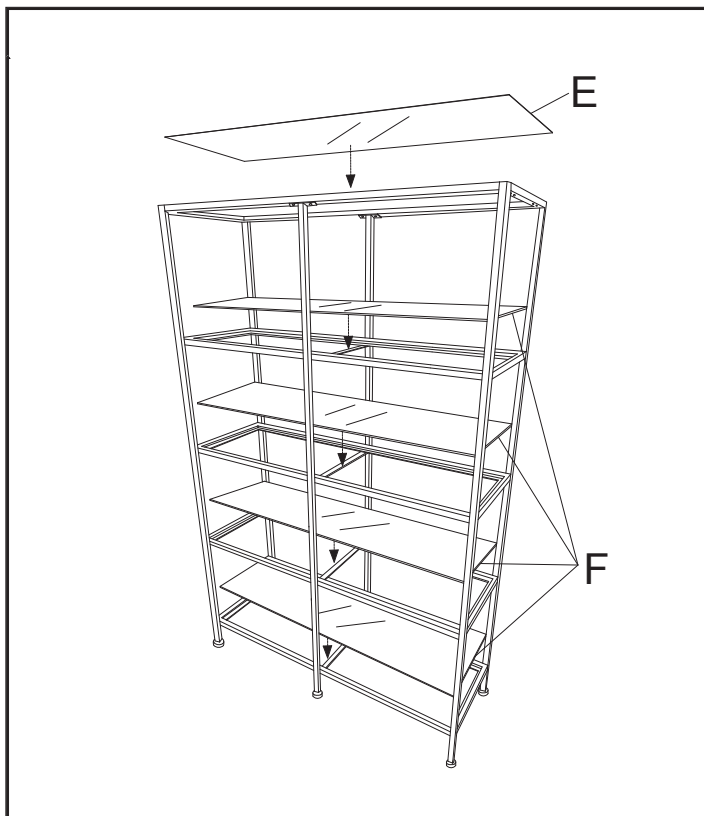
- Attach six glass bumpers (GG) to each level of the frame assembly.



## Assembly (continued)

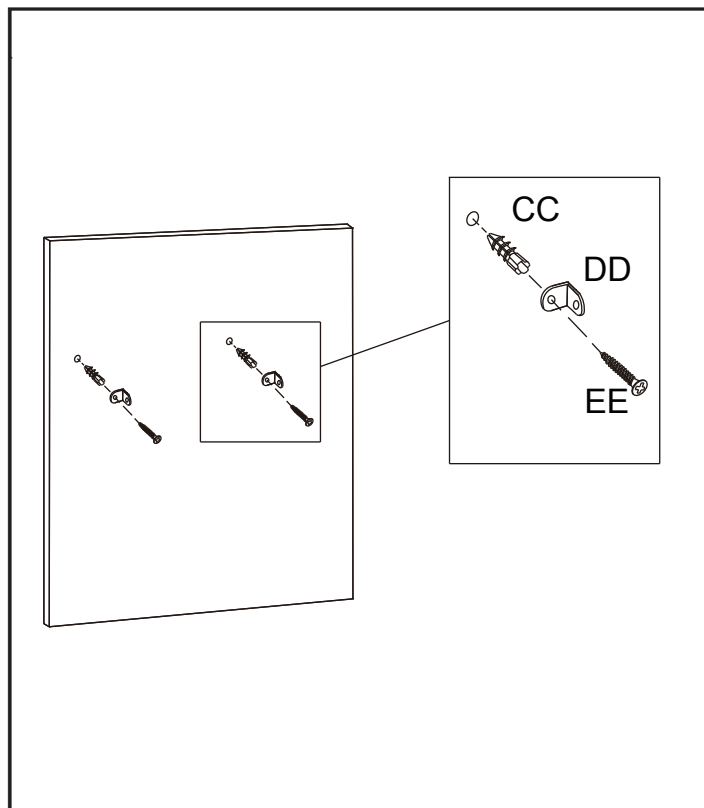
### 5 Placing the glass panels

- Place the glass panels ( E ) and ( F ) onto each level of the assembly.



### 6 Installing the anti dumping device

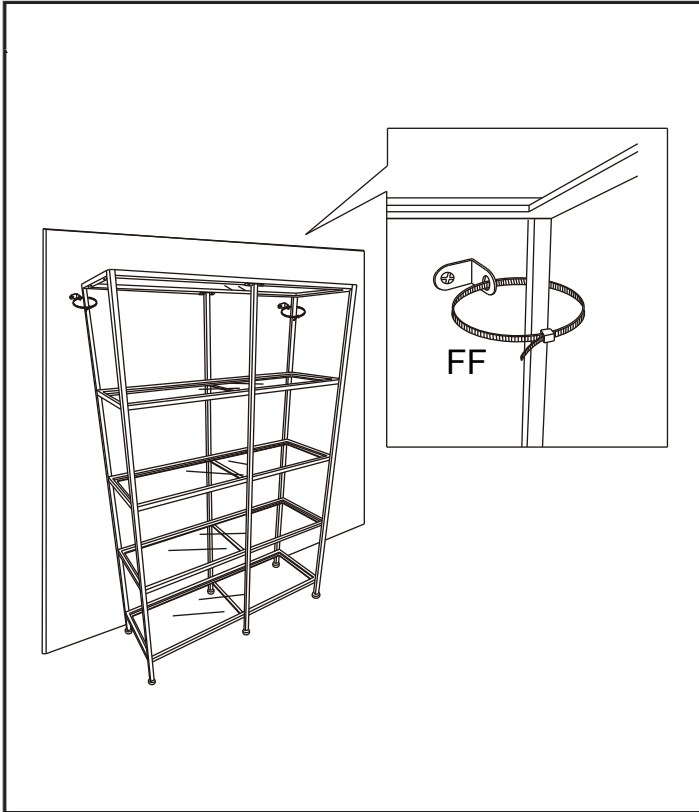
- Install the plastic wall anchors (CC) into the wall, and then fix the wall clip (DD) on the wall with screw (EE)



## Assembly (continued)

### 7 Attaching the zip tie

- Attach the zip tie (FF) to the metal leg





## Maintenance

---

- Blot spills immediately. Spot clean with a damp cloth and mild detergent.

## Care and Cleaning

---

- For best results, clean with a damp cloth and dry thoroughly.
- Store in dry sheltered place when not in use.

**HOME  
DECORATORS  
COLLECTION®**

**Questions, problems, missing parts?  
Before returning to the store, call Home Decorators Collection Customer Service.  
8 a.m. – 7 p.m., EST, Monday – Friday, 9 a.m. – 6 p.m., EST, Saturday**

**1-800-986-3460**

**[HOMEDEPOT.COM/HOMEDECORATORS](http://HOMEDEPOT.COM/HOMEDECORATORS)**

**Retain this manual for future use.**