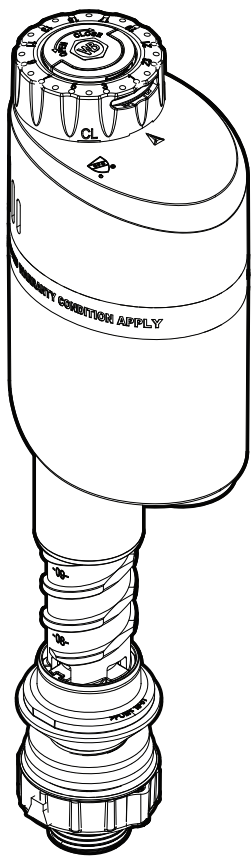


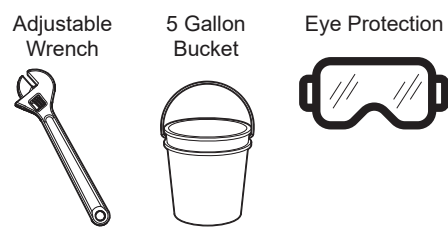
INSTALLATION INSTRUCTIONS

**W87750**  
**W87751**  
Toilet Fill Valve



92-W87750-01

TOOLS & SUPPLIES NEEDED



IMPORTANT

**SAFETY TIPS:**  
Be sure to read and understand all instructions before beginning installation.  
Inspect all connections after installation.  
Be sure to wear proper eye protection.

**MAINTENANCE:**  
See Maintenance section of this document for additional information.

**NOTES:**  
To ensure code compliance and proper installation, the critical level on the fill valve (identified on the valve marked "CL ") should be at least 1" (25.4mm) above the top of the overflow pipe of the flush valve.

**DO NOT** use any additional Sealants during the installation.

Water Temperature Operating Range:  
2°F - 45°F

Water Pressure Operating Range:  
30-120psi

WARNING!

**DO NOT OVER-TIGHTEN CONNECTIONS OR DAMAGE MAY OCCUR.**

**DO NOT USE CHLORINE OR ANY CHEMICALLY RELATED COMPONENTS AS THIS WILL RESULT IN DAMAGE TO TANK COMPONENTS AND MAY CAUSE FLOODING AND PROPERTY DAMAGE.**

**USE OF CHLORINE OR CHEMICALLY RELATED COMPONENTS WILL VOID WARRANTY.**

SITE PREPARATION

- Turn OFF Water Supplies.
- Drain Toilet Tank completely.
- Remove existing Fill Valve.
- Remove all debris and clean all mating surfaces.

NEED HELP?

For additional assistance or service please contact:



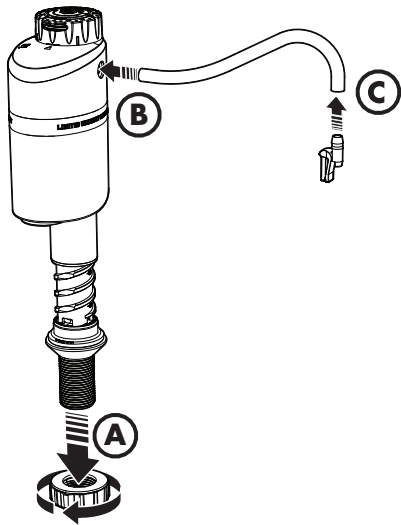
email@windonbay.com



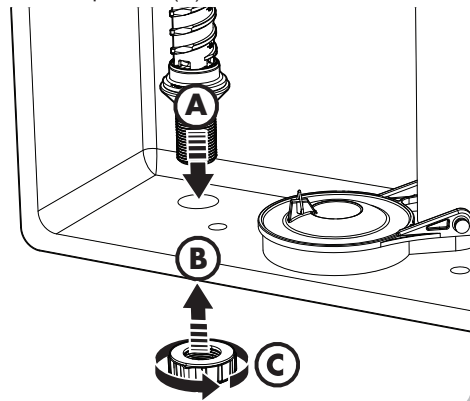
www.windonbay.com

FILL VALVE INSTALLATION

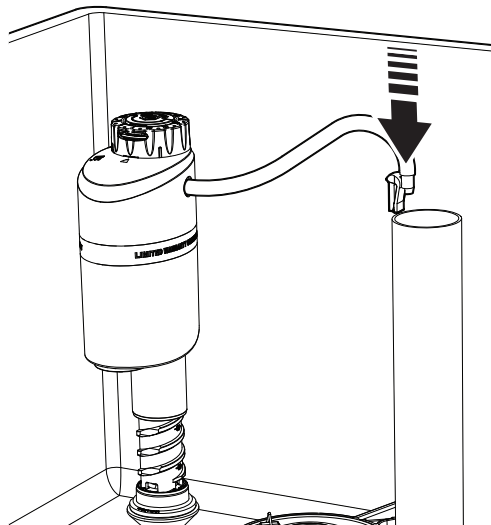
- 1** Remove the Quick Connect Mounting Nut (A). Install the Refill Tube to the Fill Valve (B). Install Refill Tube Clip to the Refill Tube (C).



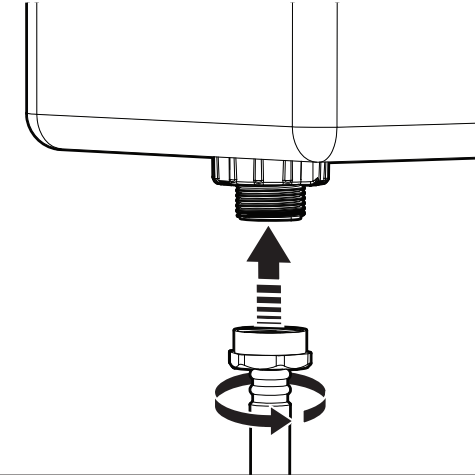
- 2** Position the Fill Valve within the Toilet Tank. Properly align the Fill Valve so there are no kinks in the Refill Tube, and so there is proper clearance to the Flush Handle Rod (A). From below, install the Quick Connect Mounting Nut by pressing upwards until the Nut makes contact with the Tank (B). Then hand tighten secure into position (C).



- 3** Connect the Refill Tube Clip to the Flush Valve Tube. The Refill Tube **MUST** always be above the water line when Tank is full.



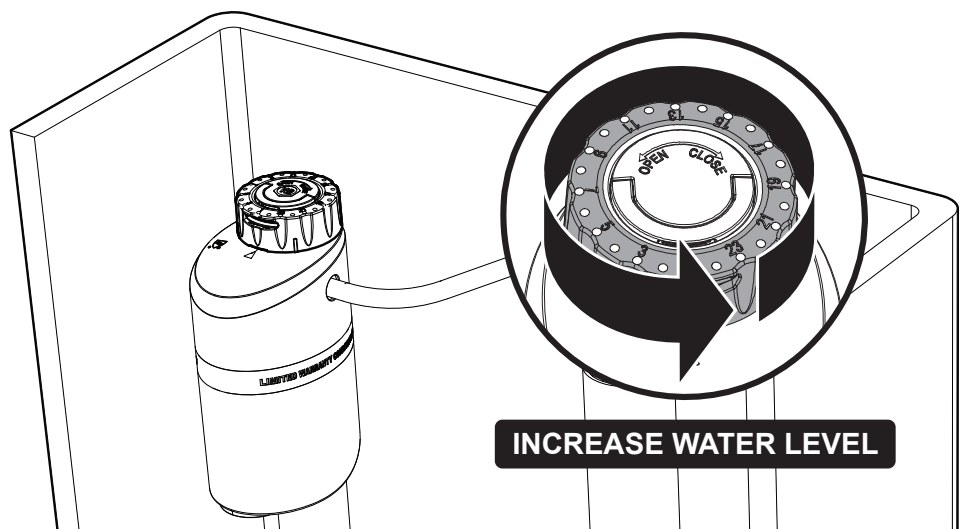
- 4** Install Water Supply Line to the Inlet Shank of the Fill Valve. Tighten into position. **Do Not Over-Tighten** connection or damage may occur.



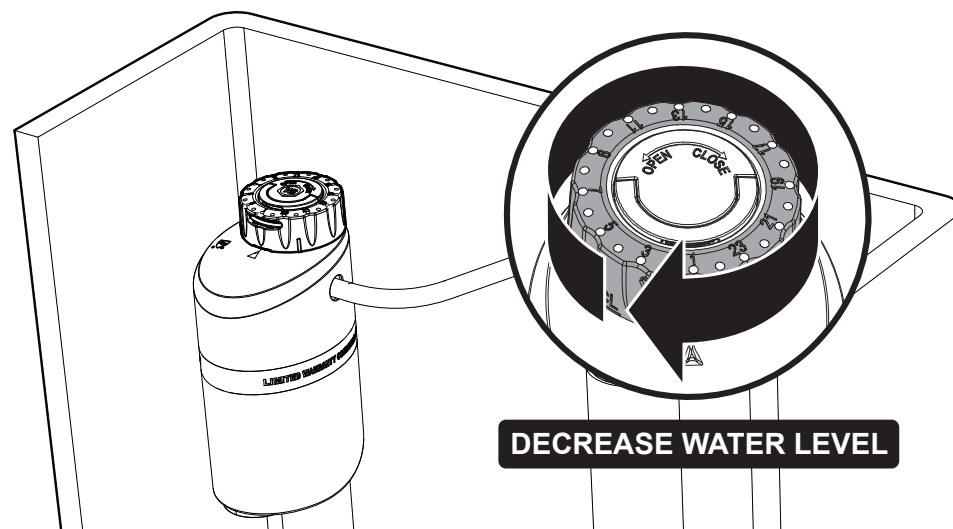
**DRY CONNECTION ONLY!**  
DO NOT USE ANY THREAD SEALANT ON THIS CONNECTION

WATER LEVEL ADJUSTMENT

- 5** This Fill Valve is factory set to the lowest water level. To **INCREASE THE WATER LEVEL IN TANK**, hold the Body of the Fill Valve stationary and rotate the Top Dial counter-clockwise until the desired water level is achieved. There are 24 indicators dots on the Top Dial that each represent a level of adjustment.

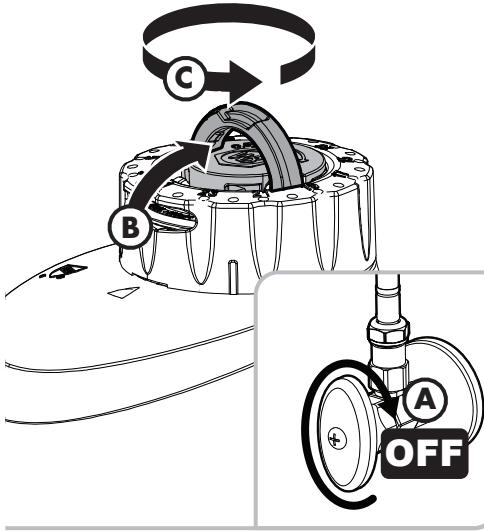


- 6** This Fill Valve is factory set to the lowest water level. To **DECREASE THE WATER LEVEL IN TANK**, hold the Body of the Fill Valve stationary and rotate the Top Dial **clockwise** until the desired water level is achieved. There are 24 indicators dots on the Top Dial that each represent a level of adjustment.

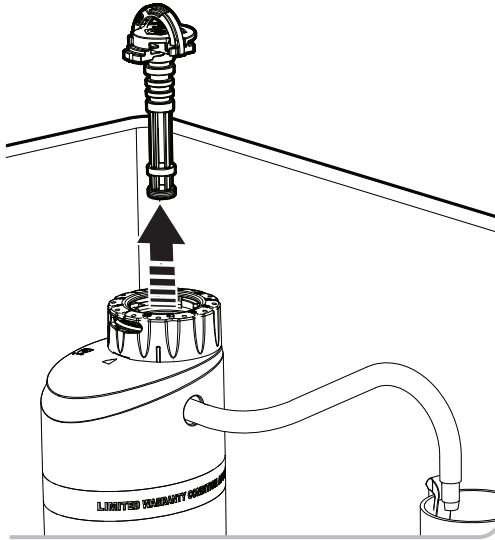


## FILTER MAINTENANCE

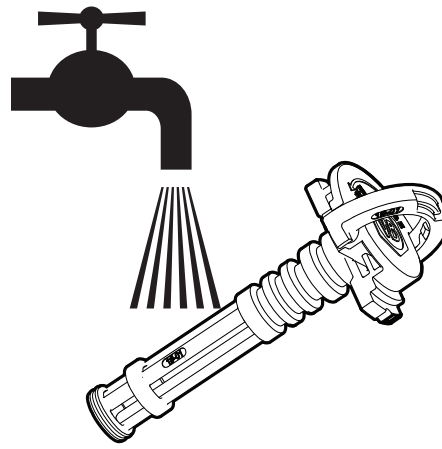
- 1** Turn **OFF** water supplies (A). Lift handle of Filter (B). Rotate Filter counter-clockwise while holding the Rotational Dial stationary (C).



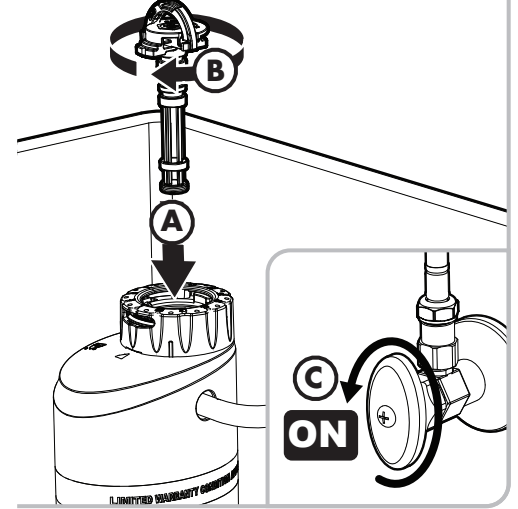
- 2** Once Filter is released, pull upward to remove from the Fill Valve. Clean Filter by rinsing under running water.



- 3** Clean Filter by rinsing under running water.



- 4** Insert the Filter into the Fill Valve while aligning the Tabs (A). Rotate Filter clockwise while holding the Rotational Dial stationary until Filter locks into position (B). Turn **ON** water supplies (C).



## TROUBLESHOOTING

**If water level is too high or too low in the tank:**

- 1) Adjust water level by following the steps within the "WATER LEVEL ADJUSTMENT" section of this document.

**Fill Valve does not turn ON:**

- 1) Verify that the wall supply is completely ON.  
2) If the Fill Valve still does not operate, turn OFF the water supply and clean the Filter by following the steps within the "FILTER MAINTENANCE" section of this document.

**Fill Valve does not turn OFF:**

- 1) Verify proper installation of the Refill Tube as shown in "Step 3."  
2) Verify proper water level adjustment as outlined in the "WATER LEVEL ADJUSTMENT" section of this document.

## PRODUCT WARRANTY

With exception of items listed below, this product has a limited warranty against defects in materials or workmanship for the period listed below from the date of purchase.

**Consumer/Residential: 7 Year Limited Warranty**  
**Commercial Use: 5 Year Limited Warranty**

**Warranty is limited to replacement of defective components or units.**

Associated replacement or repair labor costs are NOT included. This warranty only pertains to single dwelling residential use. Products used for other than single dwelling residential use are covered by a 5 year limited warranty from the date of purchase.

## CALIFORNIA PROPOSITION 65



**CALIFORNIA PROPOSITION 65:**

**WARNING:** This product can expose you to chemicals including lead, which is known to the State of California to cause cancer and birth defects or other reproductive harm. For more information go to [www.P65Warnings.ca.gov](http://www.P65Warnings.ca.gov). Wash hands after installation, repair, or removal of this product.

## ROUGH-IN DIAGRAM

**COMPLIANCE**

ASME A112.18.1

**CONNECTIONS**

7/8" Ballcock Inlet Size

Contractor to supply necessary inlet connections.

