

Thank you for your purchase of Surewood-LNL fixed base box newel post! **Before you begin**, please note:

- These instructions require some general construction experience.
- Exact placement of newels on your staircase is not specified.
- Fixed base box newel posts are for interior use only.
- **ALWAYS** check local building codes prior to installation as codes can vary depending on your location.
- **ALWAYS** practice safe handling and employment of all tools and materials.
- Surewood-LNL newel bases utilize a plywood substrate to ensure optimal stability. **NEVER** pin nail through plywood as this will cause cracking. **ALWAYS** pre-drill before screwing and use construction adhesive when applying the base.
- **Read all instructions before starting installation.**

Wood Storage Disclaimer

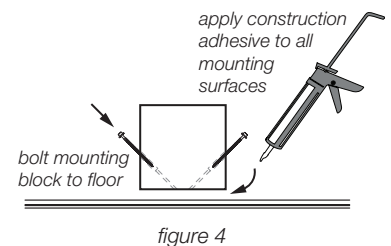
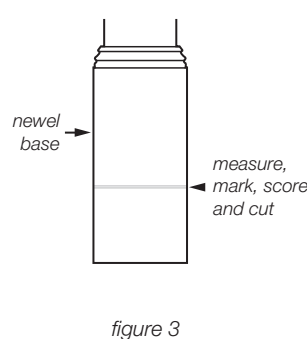
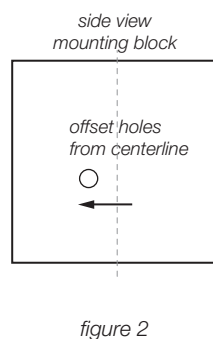
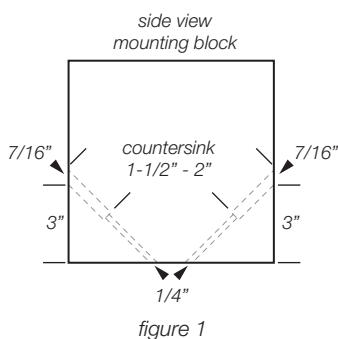
Surewood-LNL fixed base box newel posts are partially constructed, unfinished wood products. All components have been stabilized by carefully maintaining moisture content before, during and after the manufacturing process. Because variations in moisture, temperature and light can damage wood and/or make wood shrink or swell, we recommend storing in the following environment: 55° F - 85° F temperature range, 40% - 55% relative humidity, out of direct sunlight and with no dust, dirt or oil present. In addition, do not place on concrete (moisture from concrete can be absorbed into packaging and product which can cause product damage and/or failure). Surewood-LNL assumes no responsibility for product damage and/or failure which does not follow these guidelines. This applies to both stored (warehousing or jobsite) and to installed, unfinished products.

Wood Finishing Disclaimer

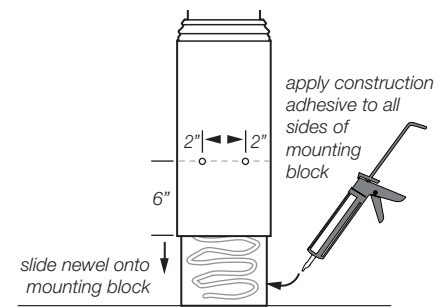
Surewood-LNL fixed base box newel posts are for interior use only. After removal from packaging, care must be taken to ensure newels are not exposed to dust, dirt, oils, moisture, and heat as any of these factors can impact the wood surface quality and compromise the finishing process. Lightly sand all surfaces and remove dust before finishing. **Follow all wood dust safety warnings and always wear a dust respirator when sanding.** Follow stain manufacturer's directions to achieve desired results.

Surface Mounting Instructions

1. Remove provided mounting block from base of box newel and, at approximately 3" from bottom, drill 1/4" holes at 45° angle on opposite sides (figure 1). Offset holes from block centerline to ensure holes do not overlap (figure 2).
2. Determine finished rail height and measure, mark and cut bottom of newel post base to accommodate. To minimize tearout, pre-score all cut lines with a razor knife and use a sharp saw blade (figure 3).
3. Determine baluster centerline and newel mounting location (figure 6 - page 2). Apply construction adhesive to all mounting surfaces and then bolt mounting block to floor and check for level and square - loosen or tighten bolts to adjust (figure 4).



4. Apply construction adhesive to on all four sides of mounting block and slide newel on. Drill 2 countersunk holes on each side of newel approximately 6" from newel bottom and 2" newel corners (figure 5). Secure with wood screws, then plug holes and sand.



Face Mounting Installation - starting, knee wall and balcony applications

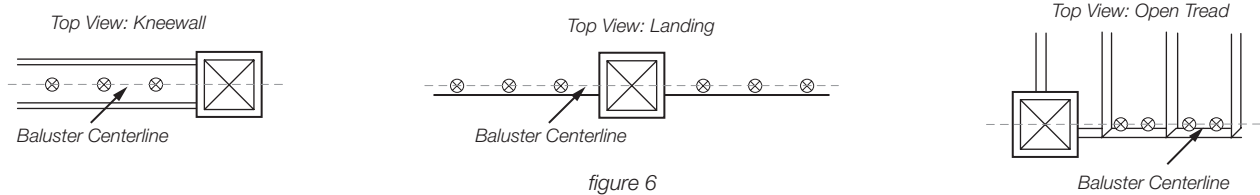


figure 6

1. Determine mounting location, centerline (figure 6) and finished rail height. Then measure, mark and cut bottom of newel post base to accommodate. To minimize tearout, pre-score all cut lines with a razor knife and use a sharp saw blade (figure 3 - page 1).
2. If required, notch the newel post to accept the first step or balcony (knee wall applications may not require notching) (figure 7). As in step 1, pre-score all cut lines with a razor knife and use a sharp saw blade to minimize tearout.
3. From scrap lumber, cut 7" to 8" long support block(s) (quarter notch and intermediate landing notch require two blocks). Apply construction adhesive and clamp into the inside bottom of the newel post. Nail block(s) for additional strength. **Pre-drill all holes into newel base** (figure 8).
4. Drill countersunk holes in newel base for lag bolts and apply construction adhesive to mounting location. Put newel in place and install lag bolts to secure (figure 9). Plug holes and sand.

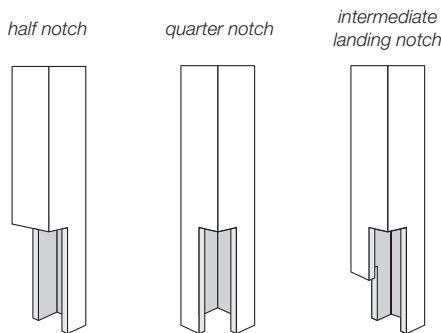


figure 7

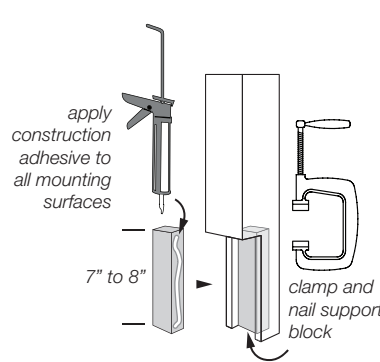


figure 8

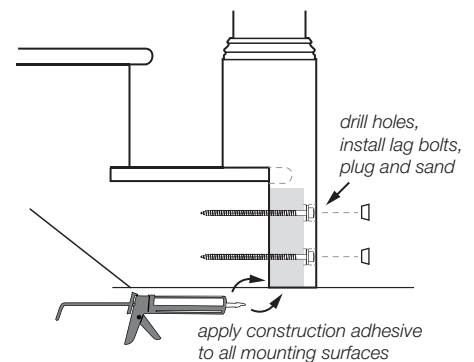


figure 9

Box Newel Cap Installation

1. Select flat top or pyramid cap. Apply construction adhesive to the top of the newel center shaft (figure 10).
2. Place newel cap base on top of newel center shaft and check for level. Then pin nail in place through side of newel cap base (figure 11).
3. Apply construction adhesive to recessed area on top of newel cap base. Then press flat or pyramid cap into recessed area (figure 12).

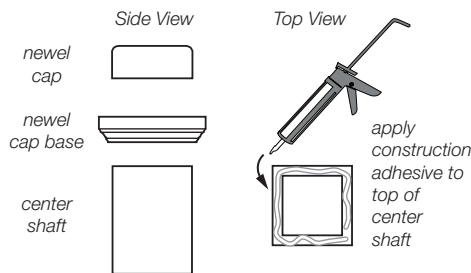


figure 10

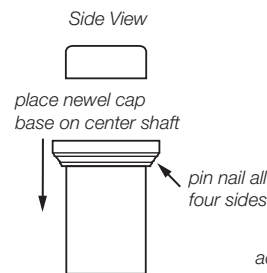


figure 11

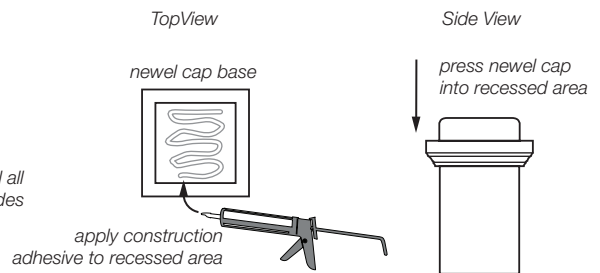


figure 12