

ROUND HAND-HAMMERED 100% COPPER FIRE TUB

SH101 USER MANUAL



IMPORTANT SAFETY INSTRUCTIONS

Please read and follow all Safety Statements, Warnings, Notes and Assembly Instructions before attempting to assemble and use this unit.

FOR OUTDOOR USE ONLY!

⚠ CAUTION

DO NOT allow small children near flame. Hot embers can fly out of the fire tub in windy conditions. Adequate fire extinguishing material should be readily available.

Some parts may contain sharp edges. Wear protective gloves as necessary.

Always use mesh spark guard when fire is lit.

The fire bowl is hot! Do not touch or allow children near fire bowl while it is in use.

Keep a fire extinguisher, garden hose, or bucket of sand nearby to smother fire if necessary.

Spark guard handle will be hot when in use. To remove, use a heat-proof barbecue mitt or poker tool to grasp handle.

⚠ NOTES

Your fire bowl is made of metal. There may be roughness on the surface and design. This “one of a kind” look enhances the beauty of the product and is not a defect.

Finish will not look the same after burning.

Add at least 1 inch of sand to the bottom of the fire tub. This will distribute the heat more evenly.

Approved items for burning are wood, self-starting fire logs and charcoal.

DO NOT put vinyl cover on until fire bowl is completely cooled and embers are extinguished.

⚠ CAUTION

CARBON MONOXIDE HAZARD - Burning charcoal inside can kill you. It gives off carbon monoxide, which has no odor. NEVER burn wood or charcoal inside homes, vehicles, or tents.

DO NOT use this unit on a wood deck or other combustible surfaces such as dry grass, leaves, mulch, etc. DO NOT use this near heat sensitive or combustible structures such as vinyl or wood siding.

⚠ **WARNING:** Combustion by-products produced when using this product include carbon monoxide and other chemicals known to the State of California to cause cancer and birth defects or other reproductive harm.

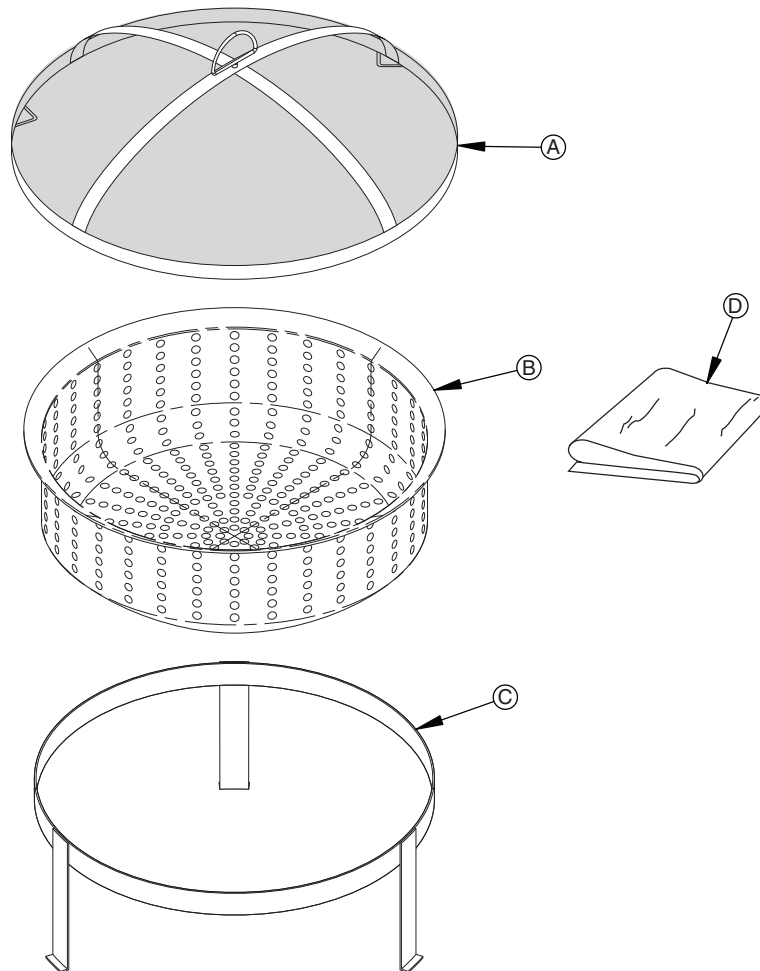
Assembly

Please check enclosed parts shipped with this product. If any parts are missing, do not return the item to the retailer. Please contact us for replacement parts by calling Customer Service at 847-821-9646.

Parts	Description	Quantity
A	Spark Guard	1
B	Copper Fire Bowl	1

Parts	Description	Quantity
C	Stand with Legs	1
D	Vinyl Cover	1

1. Hold COPPER FIRE BOWL (B) above the STAND (C) and gently lower into place.
2. Place SPARK GUARD (A) onto COPPER FIRE BOWL (B).



Thank you for your purchase of a quality Gilbert & Bennett™ Fire Pit. With proper care and maintenance your Gilbert & Bennett™ product will provide you with years of entertainment.

Your fire pit is made of metal, and will be susceptible to rust and other changes due to exposure from smoke, heat and weather.

Helpful Tips for Proper Maintenance

- Remove ash when the product has cooled down after each and every use.
- Cover your product with vinyl weather cover when product is cool and not in use.
- Place at least an inch of sand in the base of the pit to help distribute heat evenly.
- Do not overfill your pit with fuel when in use.

Color change to the metal on the outside of your pit is normal, and should be expected. The color change occurs due to the effects of weather, heat, and smoke. To limit this color change, burn clean high-quality wood and keep your fire pit covered when not in use. You can also clean your product after each with soap, water, and the metal-appropriate polish and touch paint up with a high-temperature paint if so desired.

If you have any questions, concerns, or comments about your Gilbert & Bennett™ product, you can contact us at info@matholdingsinc.com, or by calling us at 847-821-9646.

Copyright © 2021
Midwest Air Technologies, Inc.
6700 Wildlife Way
Long Grove, IL 60061