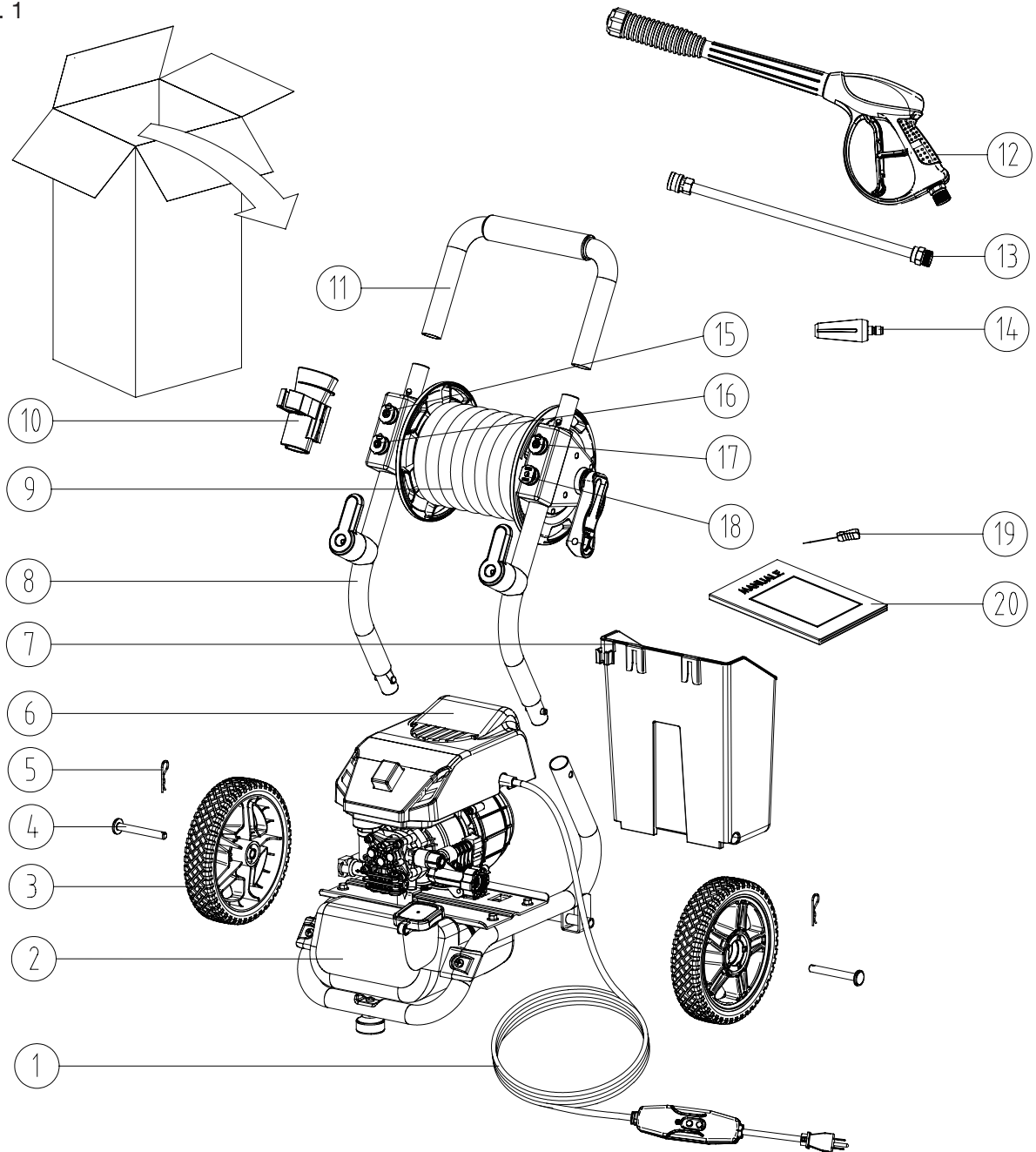


PARTS AND DIAGRAM LIST

PARTS AND DIAGRAM LIST

Fig. 1



PARTS AND DIAGRAM LIST

Check contents of the box

As shown in Fig. 1

Carefully remove the pressure washer and parts from its packaging. Identify all the parts packaged in the carton against the parts list. Please contact **Yard Force** customer service center (**Monday - Friday 8:30AM - 5:00PM ET**) at **1-(866) 902-9690** if anything is missing.

1. Power cord with GFCI x1
2. Detergent tank x1
3. Wheel x2
4. Axle Bolt x2
5. Cotter pin x2
6. Pressure washer main unit x1
7. Storage bucket x1
8. Center Handle x1
9. High pressure hose x1
10. Gun holder x1
11. Upper Handle x1
12. Spray gun x1
13. Spray wand x1
14. Turbo nozzle x1
15. 15 ° nozzle x1
16. 25 ° nozzle x1
17. 40 ° nozzle x1
18. Soap nozzle x1
19. Nozzle Cleaning Needle (Packed together with the manual) x1
20. Operating manual x1



WARNING: If any parts are damaged or missing, do not operate this tool until the missing parts are replaced. Failure to heed this warning could result in serious personal injury.



NOTE! Always recycle the packaging in accordance with local recycling codes.

TECHNICAL DATA

PARTS AND DIAGRAM LIST

Model	Y0EWN22WR01
Input voltage rating	120V AC
Rated Power	13 A
Working pressure	2200 PSI
Max pressure	2500 PSI
Rated Flow rate	1.20 GPM (272.5LPH)
Max. Flow rate	1.35 GPM (306 LPH)
Inlet pressure	≥20 PSI
Supply water temperature (max.)	Cold tap water 104 °F (40 °C)
Electrical cord	35 ft. (10.7 m)
High-pressure hose	25 ft. (7.6 m)
Detergent injection rate	3%~12%