

Important safety instructions:

- Please read carefully all instructions before assembly.
- For your safety and ease, assembly by two or more adults is recommended.
- Keep instructions for future use.

Pre-assembly:

- Do not discard any content until assembly is complete to avoid accidentally discarding small parts or hardware.
- Take out all parts and hardware from box.

Parts List

Item	Description	QTY
P1	LEGS	4 PCS
P2	OTTOMAN	1 PC

Hardware List

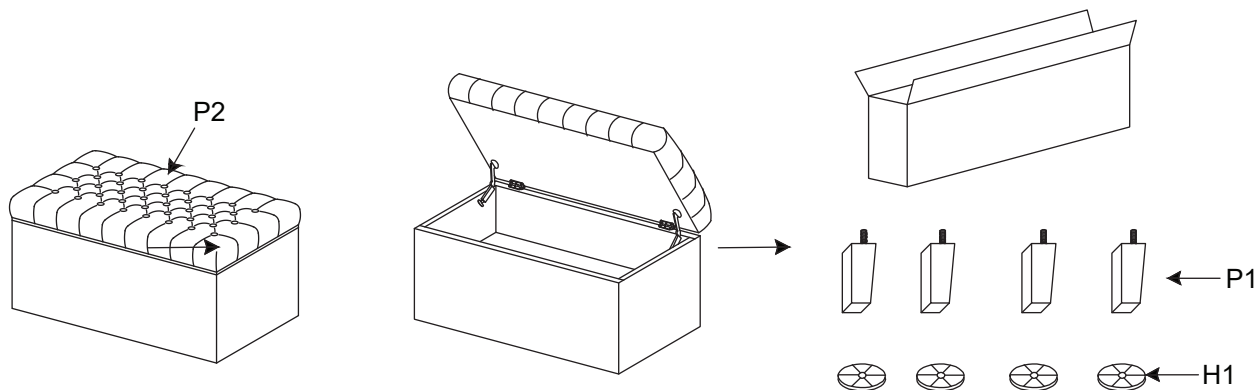
Item	Description	QTY
H1	PLASTIC WASHERS	4 PCS

DISCLAIMER:

WHEN PROPERLY ASSEMBLED, THIS ITEM IS SAFE FOR INTENDED USE. SELLER IS NOT LIABLE FOR ANY DAMAGES RESULTING FROM ITEM BEING IMPROPERLY ASSEMBLED AFTER PURCHASE.

Assembly Procedures:

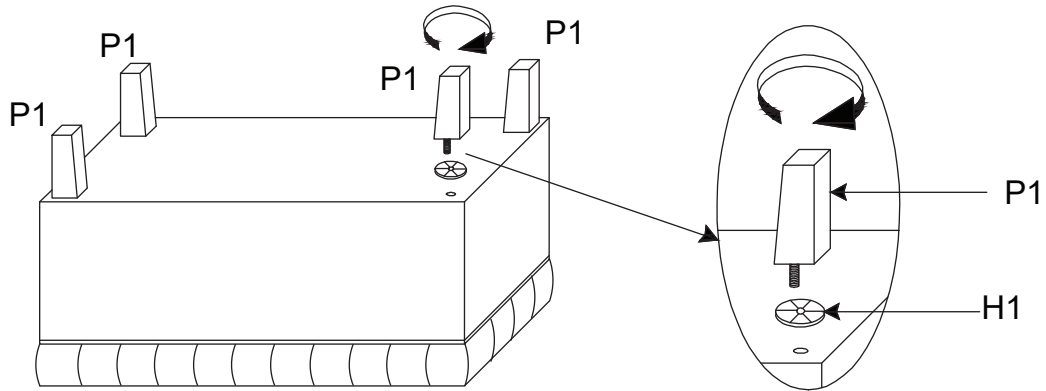
Step 1. Open the top of Ottoman(P2) and take out the legs from the inner box that tied up at the lid support



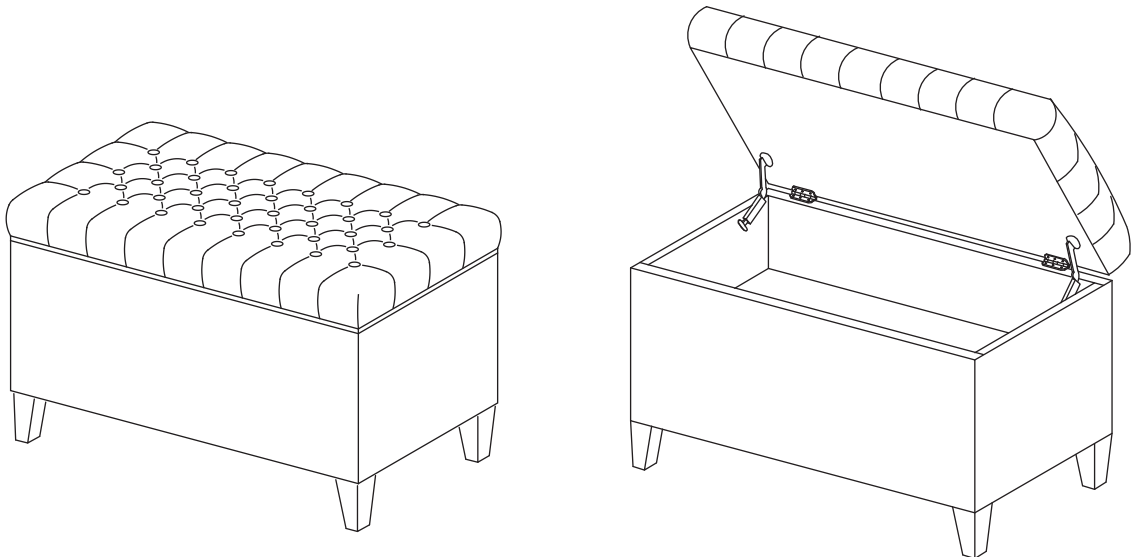
Thank you for your purchase

Step 2. Turn the Ottoman(P2) upside down and lay on protective carpet, put washer (H1) onto each leg(P1), and attach the legs(P1) to the bottom of the Ottoman(P2), tighten each leg by turning it clockwise

H1 PLASTIC WASHERS  4 PCS



Step 3. Turn the Ottoman over



ADDITIONAL NOTE ABOUT SAFETY: BOLTS MAY LOOSEN DURING NORMAL EVERYDAY USE. THEY SHOULD BE PERIODICALLY INSPECTED AND RE-TIGHTENED TO PREVENT DAMAGE OR INJURY. ALWAYS CHECK TO ENSURE THAT ALL HARDWARE IS KEPT TIGHTENED.

Thank you for your purchase