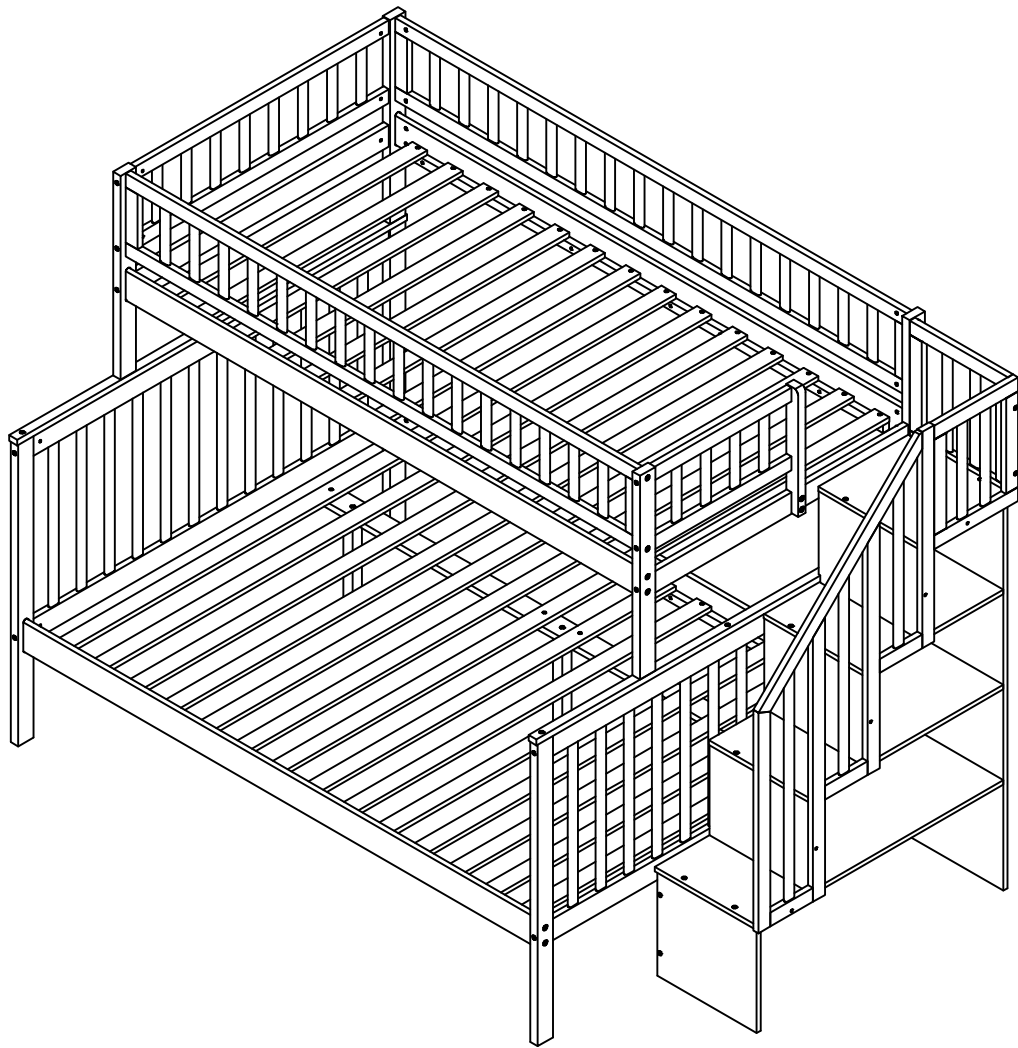


# ASSEMBLY INSTRUCTIONS

## TWIN/FULL BUNK BED



This set is included 3 boxes if don't receive full 3 boxes please contact our customer service team.

WF286048/WF286049/WF286050

## SAFETY WARNINGS AND GENERAL NOTES :

Follow the information on the warnings on the bunk bed end structure and on the carton. Do not remove the warning label from the bed. Always use the recommended size mattress on mattress support, or both, to help prevent the likelihood of entrapment or falls.

The top surface of the mattress must be at least 5\*inch (127mm) below the upper edge of the guardrail.

Do not allow children under 6 years of age to use the upper bunk.

Periodically check and ensure the guardrail, ladder and other components are in their proper position, free from damage, and all connectors are tight.

Do not allow horseplay on or under beds.

Always prohibit jumping on the bed.

Prohibit more than one person on upper bunk.

Always use the ladder for entering and leaving the upper bunk.

Do not use substitute parts. Contact the manufacturer or dealer for replacement parts.

Use of a night-tight may provide added safety precaution for a child using the upper bunk.

Always use guardrails on both long sides of the upper bunk.

If the bunk bed will be placed next to a wall, the guardrail that runs the full length of the bed should be placed against the wall to prevent entrapment between the bed and the wall.

The use of water or sleep flotation mattresses is prohibited.

**STRANGULATION HAZARD**-Never attach or hang items to any part of the bunk bed that are not designed for use with the bed.

Keep these instructions for future reference.

We recommend assembling your bunk bed on the shipping carton to protect your floor or carpet.

Be certain all staples are out of the box before beginning assembly on the shipping carton.

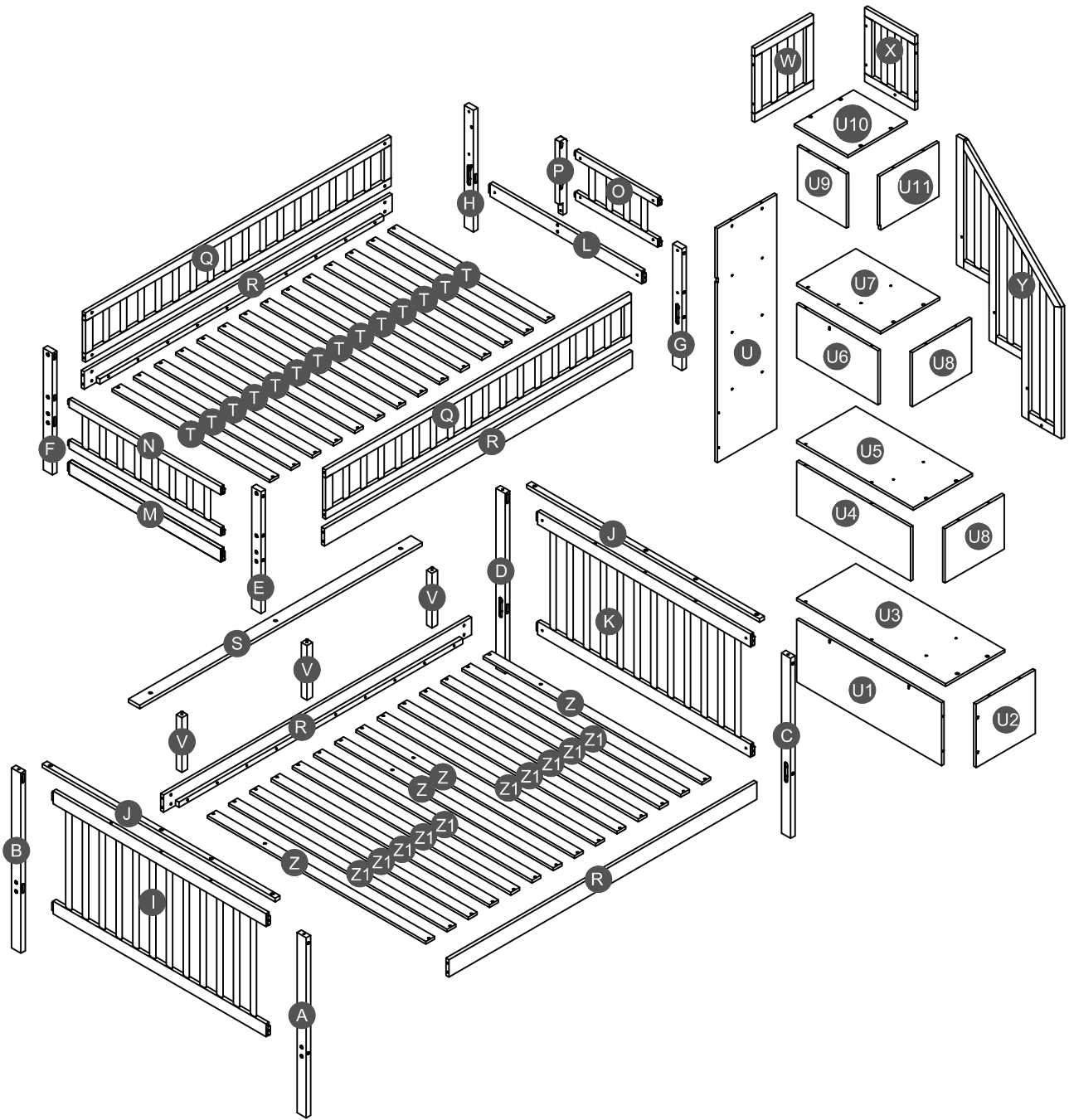
**THIS BED IS DESIGNED TO USE A TWIN MATTRESSES 37 1/2" - 38 1/2" WIDE X 74"-75" LONG WITH THE TOTAL THICKNESS NOT EXCEEDING 6" FOR UPPER BUNK, FOR THE LOWER FULL-SIZE SHOULD BE 53"-54" WIDE X 74"-75" LONG, WIDE WITH 8" THICKNESS.**

**SURFACE OF MATTRESS MUST BE AT LEAST 5" (127MM) BELOW THE UPPER EDGE OF GUARDRAILS.**

Replacement Parts:

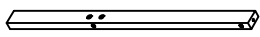
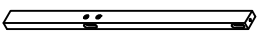
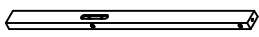
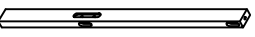


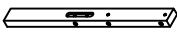


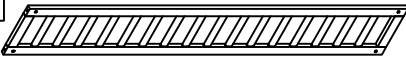

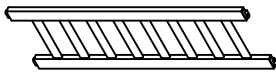
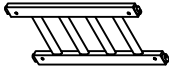
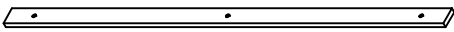
Replacement Parts, including additional guardrails, may be obtained from any of our (GIGACLOUD TECHNOLOGY (USA) INC.) dealers

# Detail View

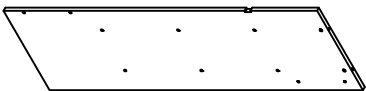
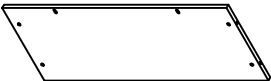
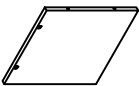
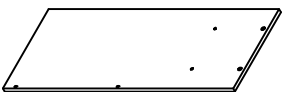

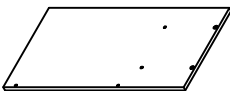
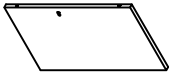
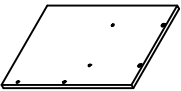
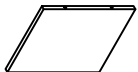
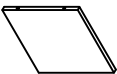
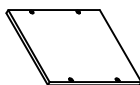
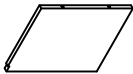
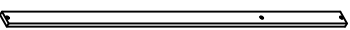



# Part List

## Hardware List WF286048

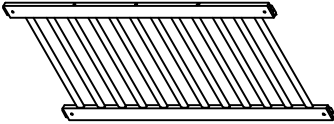
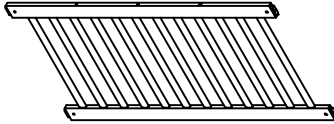
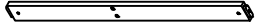
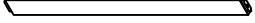
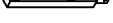
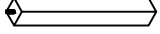
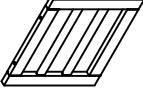
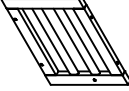
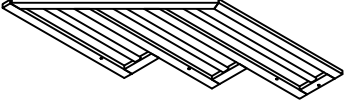
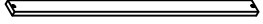
<b>A</b>  Lower leg(Left front) - 1pc	<b>B</b>  Lower leg (Right back)- 1pc	<b>C</b>  Lower leg(Right front) - 1pc
<b>D</b>  Lower leg (Left back)- 1pc	<b>E</b>  Upper leg(Left front) - 1pc	<b>F</b>  Upper leg(Right back) - 1pc
<b>G</b>  Upper leg (Right front)- 1pc	<b>H</b>  Upper leg (Left back)- 1pc	<b>J</b>  Cap for lower HB&FB-2pcs
<b>Q</b>  Upper front & back side rail-2pcs	<b>R</b>  Lower&upper side rail - 4pcs	<b>N</b>  Upper HB - 1pc
<b>O</b>  Upper FB - 1pc	<b>S</b>  Lower support slat - 1pc	

## WF286049



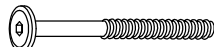
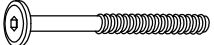




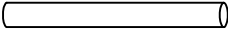


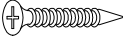

<b>U</b>  Back panel - 1pc	<b>U1</b>  Lower left side panel - 1pc	<b>U2</b>  Lower front panel - 1pc
<b>U3</b>  Lower step ladder panel -1pc	<b>U4</b>  Lower center left side panel - 1pc	<b>U5</b>  Lower center step ladder panel -1pc
<b>U6</b>  Upper center left side panel - 1pc	<b>U7</b>  Upper center step ladder panel -1pc	<b>U8</b>  Center front panel - 2pcs
<b>U9</b>  Upper left side panel - 1pc	<b>U10</b>  Upper step ladder panel -1pc	<b>U11</b>  Upper front panel - 1pc
<b>Z</b>  Lower slats - 4pcs	<b>Z1</b>  Lower slats - 10pcs	

# Part List

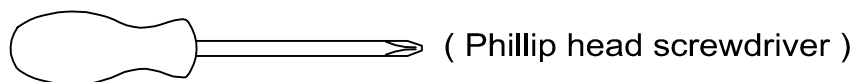
WF286050

<b>I</b>  Lower HB - 1pc	<b>K</b>  Lower FB - 1pc	<b>L</b>  Horizontal upper bar FB-1pc
<b>M</b>  Horizontal upper bar HB-1pc	<b>P</b>  Support guard rail - 1pc	<b>V</b>  Leg support- 3pcs
<b>W</b>  Upper guard back - 1pc	<b>X</b>  Upper guard side - 1pc	<b>Y</b>  Guard side - 1pc
<b>T</b>  Upper slats - 14pcs		

# Hardware List

<b>1</b>  Ø8*30mm Wood dowel (12pcs)	<b>2</b>  (Ø15)1/4"*100mm Hex-Head bolts (18pcs)	<b>3</b>  (Ø15)1/4"*80mm Hex-Head bolts (24pcs)
<b>4</b>  (Ø12)1/4"*70mm Hex-Head bolts (2pcs)	<b>5</b>  (Ø12)1/4"*60mm Hex-Head bolts (37pcs)	<b>6</b>  (Ø12)1/4"*35mm Hex-Head bolts (2pcs)
<b>7</b>  (Ø12)1/4"*30mm Hex-Head bolts (3pcs)	<b>8</b>  1/4"*15 (9.5mm) Horizontal-Hole bolts(79pcs)	<b>9</b>  Ø9*90mm Connecting bar (4pcs)
<b>10</b>  (Ø12)1/4"*40mm Hex-Head bolts (4pcs)	<b>11</b>  (1/4")4.5*58mm Allen key (1pc)	<b>12</b>  Ø4*30mm Wood screws (60pcs)
<b>13</b>  Ø1/4"*19*2mm Flat Washer (3pcs)		

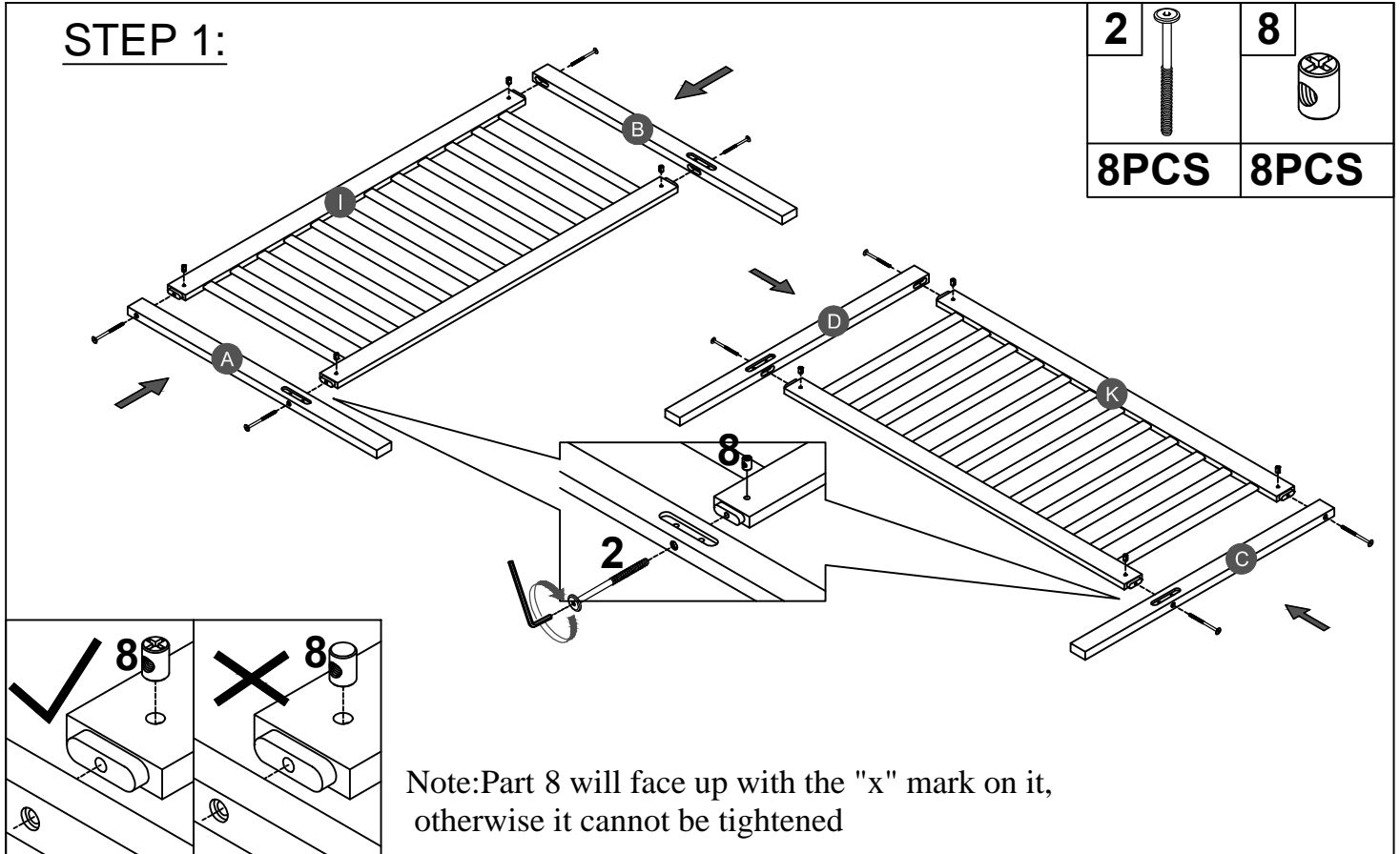
## ASSEMBLY TOOLS REQUIRED ( NOT INCLUDED )



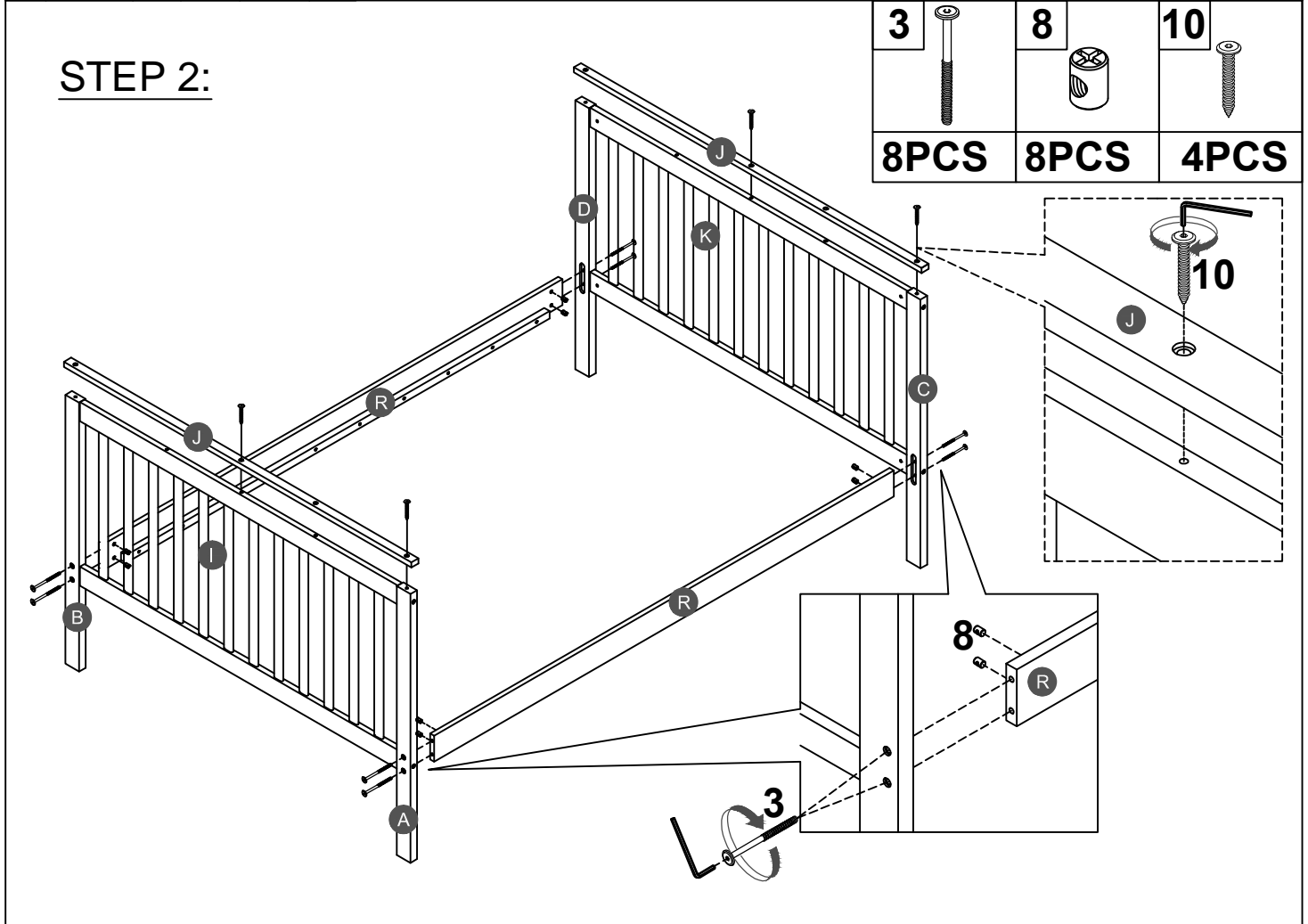
DO NOT USE POWER TOOLS TO ASSEMBLE THIS PRODUCT !

**Remark: We recommend you assemble your bed in the flat ground.**





**STEP 1:**

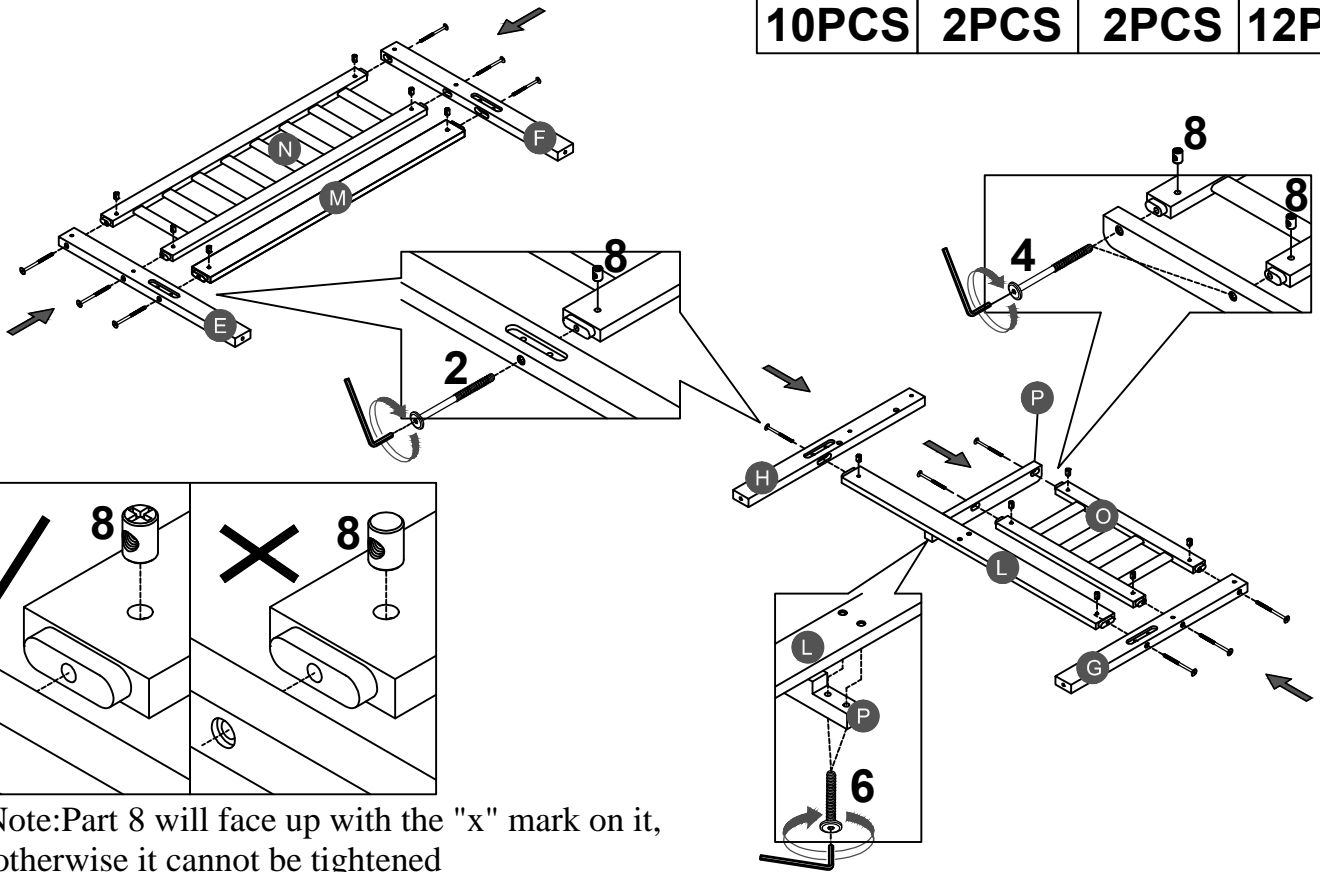


**STEP 2:**



### STEP 3:



2		4		6		8	
10PCS		2PCS		2PCS		12PCS	

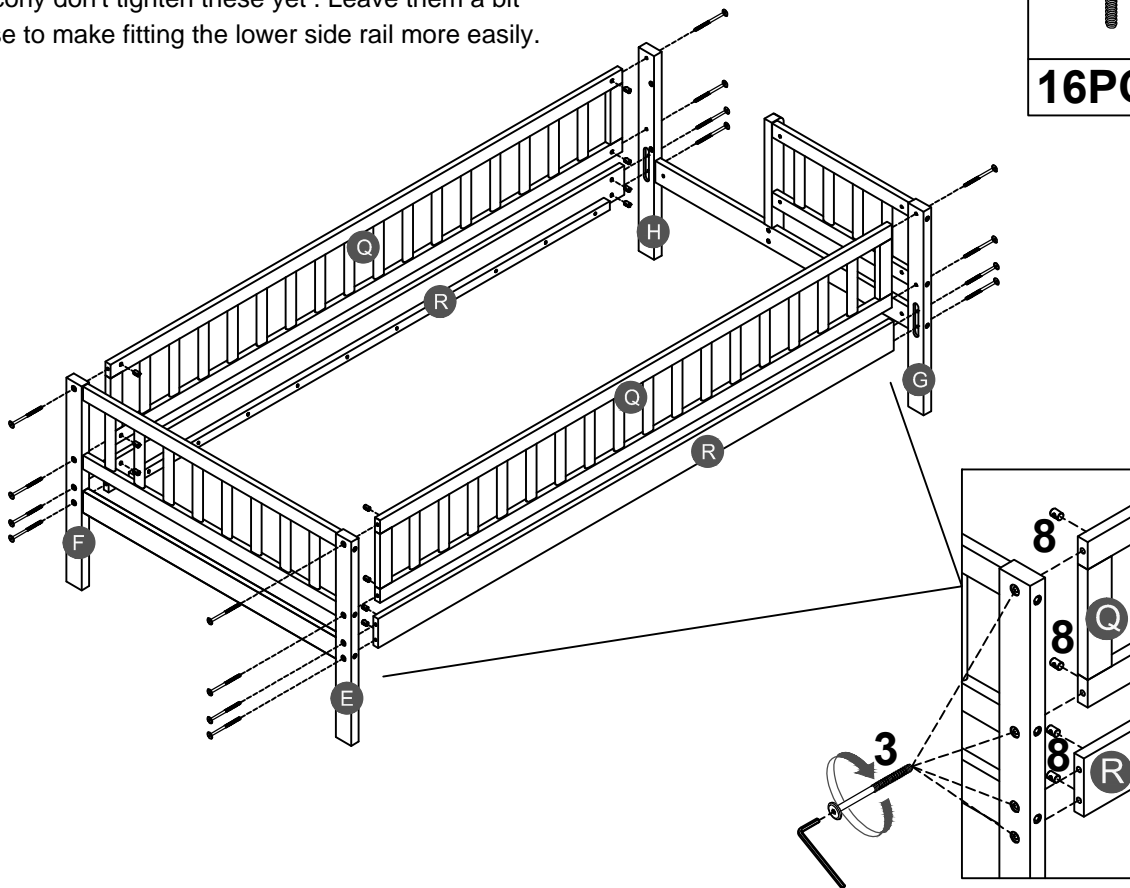


Note: Part 8 will face up with the "x" mark on it, otherwise it cannot be tightened

### STEP 4:

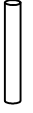
Balcony don't tighten these yet . Leave them a bit loose to make fitting the lower side rail more easily.

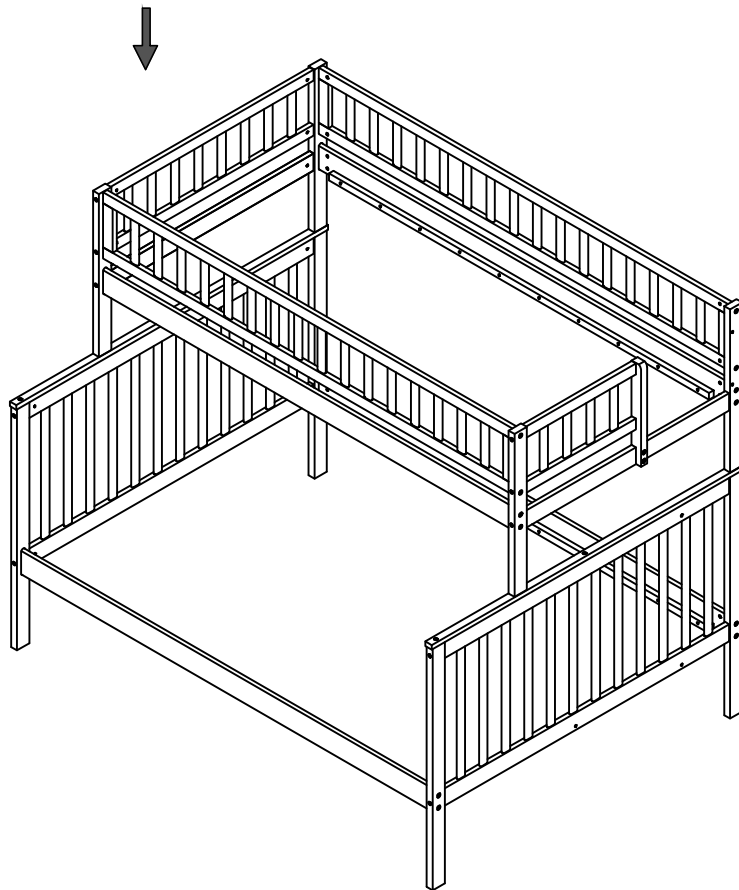
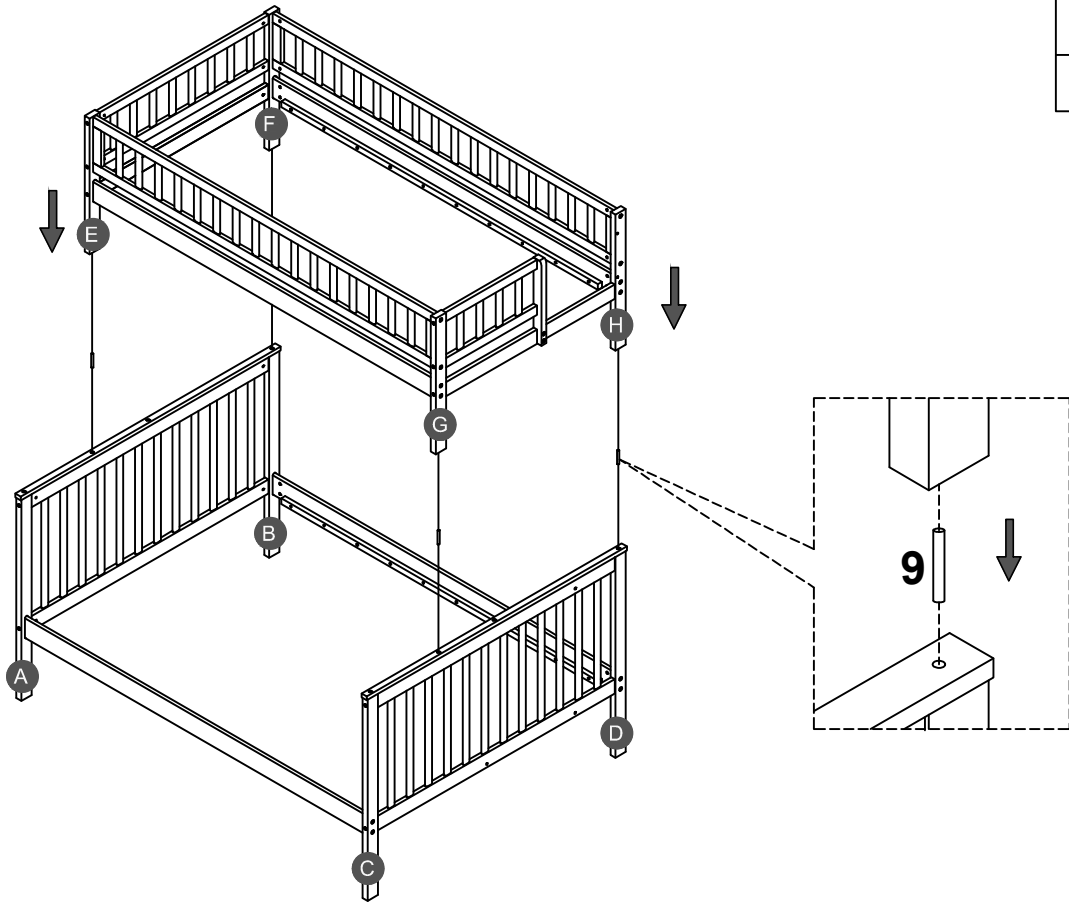
3		8	
16PCS		16PCS	








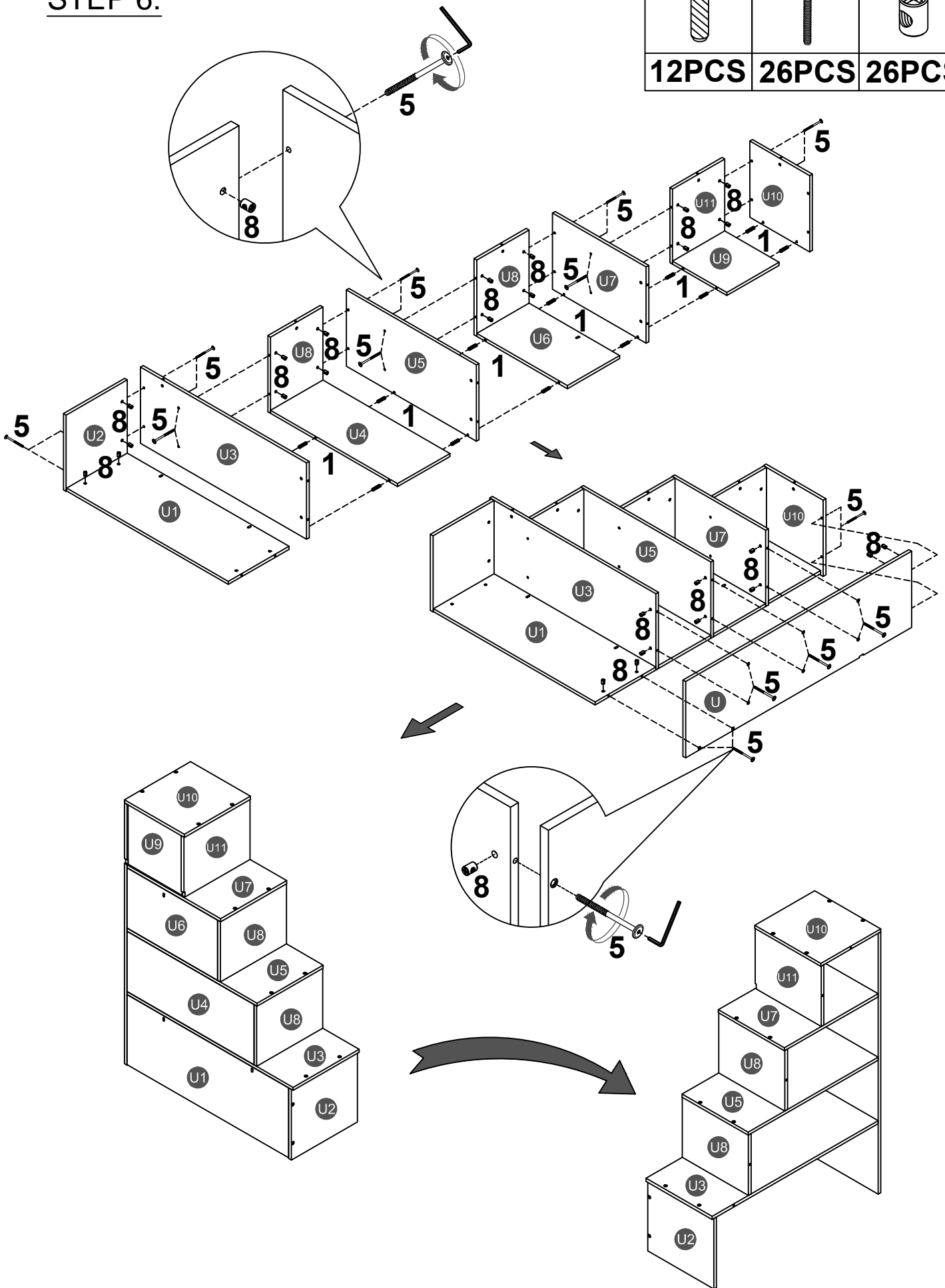
**STEP 5:**

<b>9</b>	
<b>4PCS</b>	







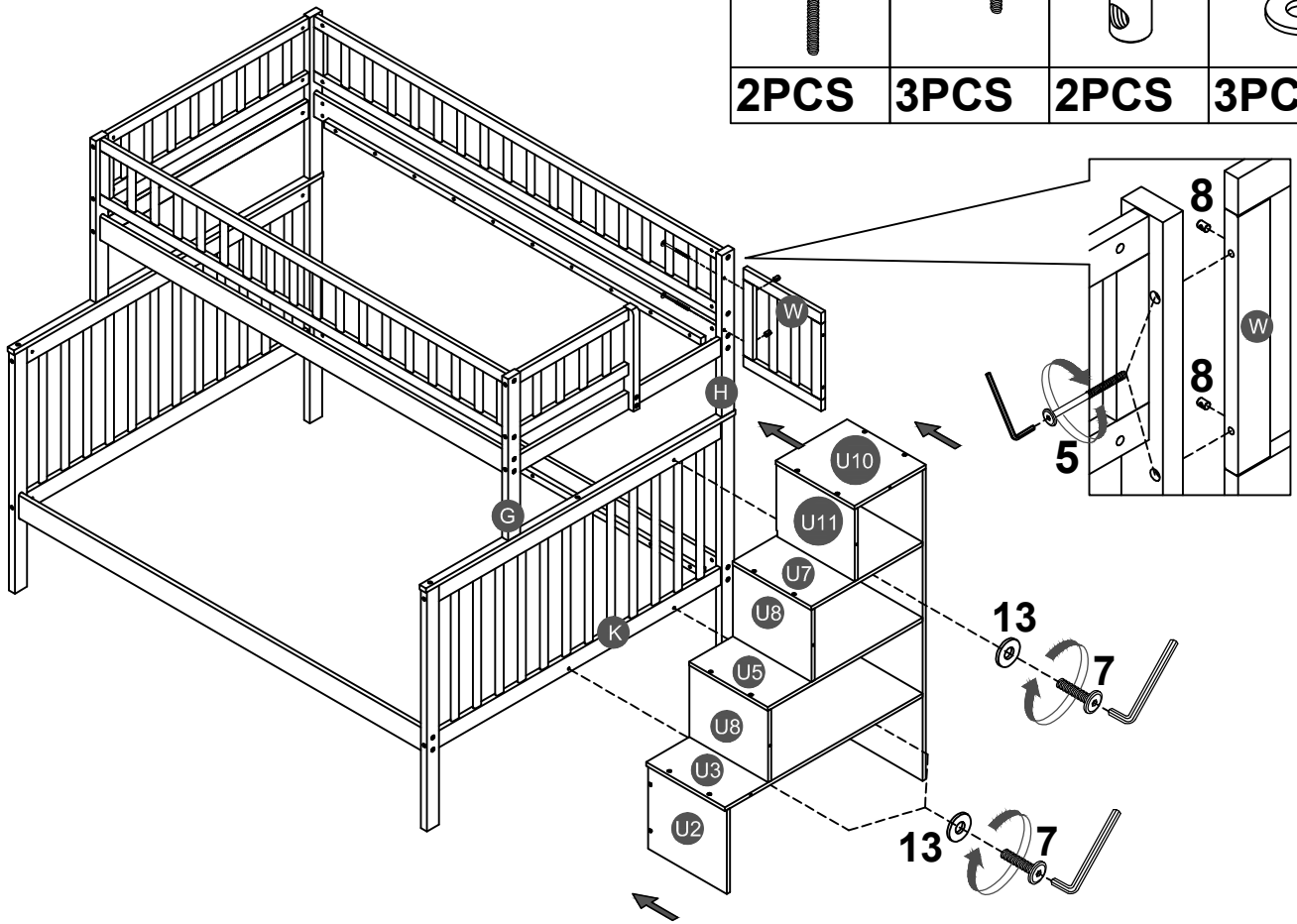
**STEP 6:**

<b>1</b>		<b>5</b>		<b>8</b>	
<b>12PCS</b>		<b>26PCS</b>		<b>26PCS</b>	





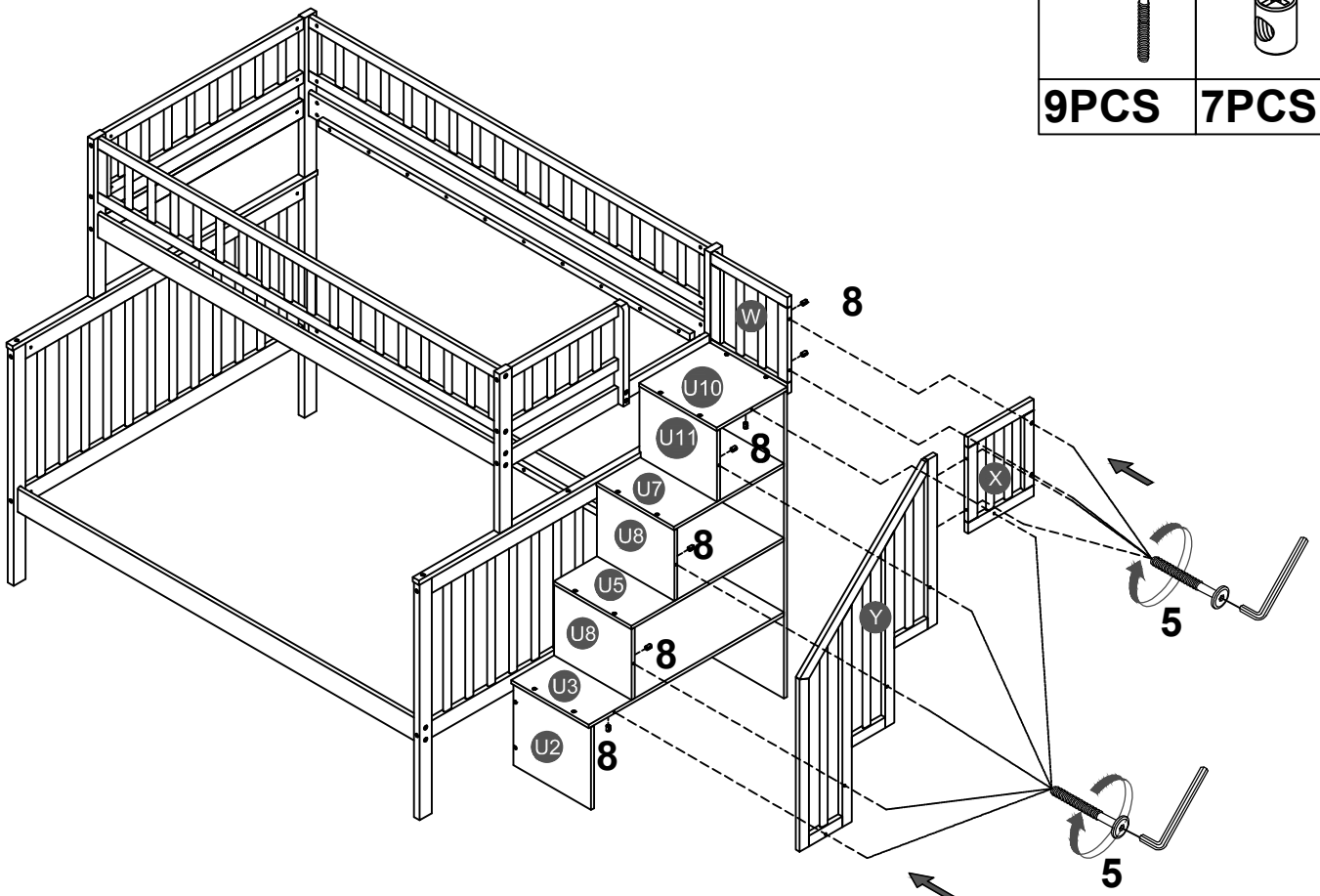
**STEP 7:**

5		7		8		13	
<b>2PCS</b>		<b>3PCS</b>		<b>2PCS</b>		<b>3PCS</b>	

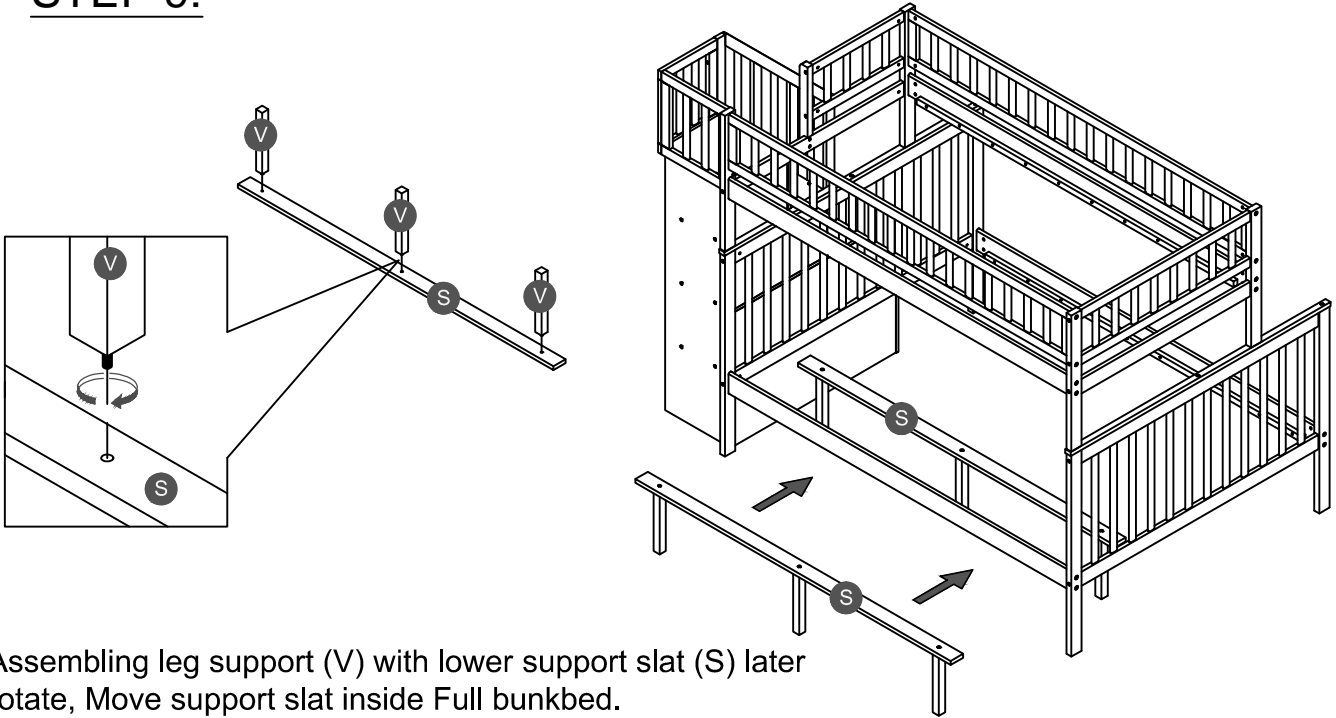


**STEP 8:**

5		8	
<b>9PCS</b>		<b>7PCS</b>	



## STEP 9:



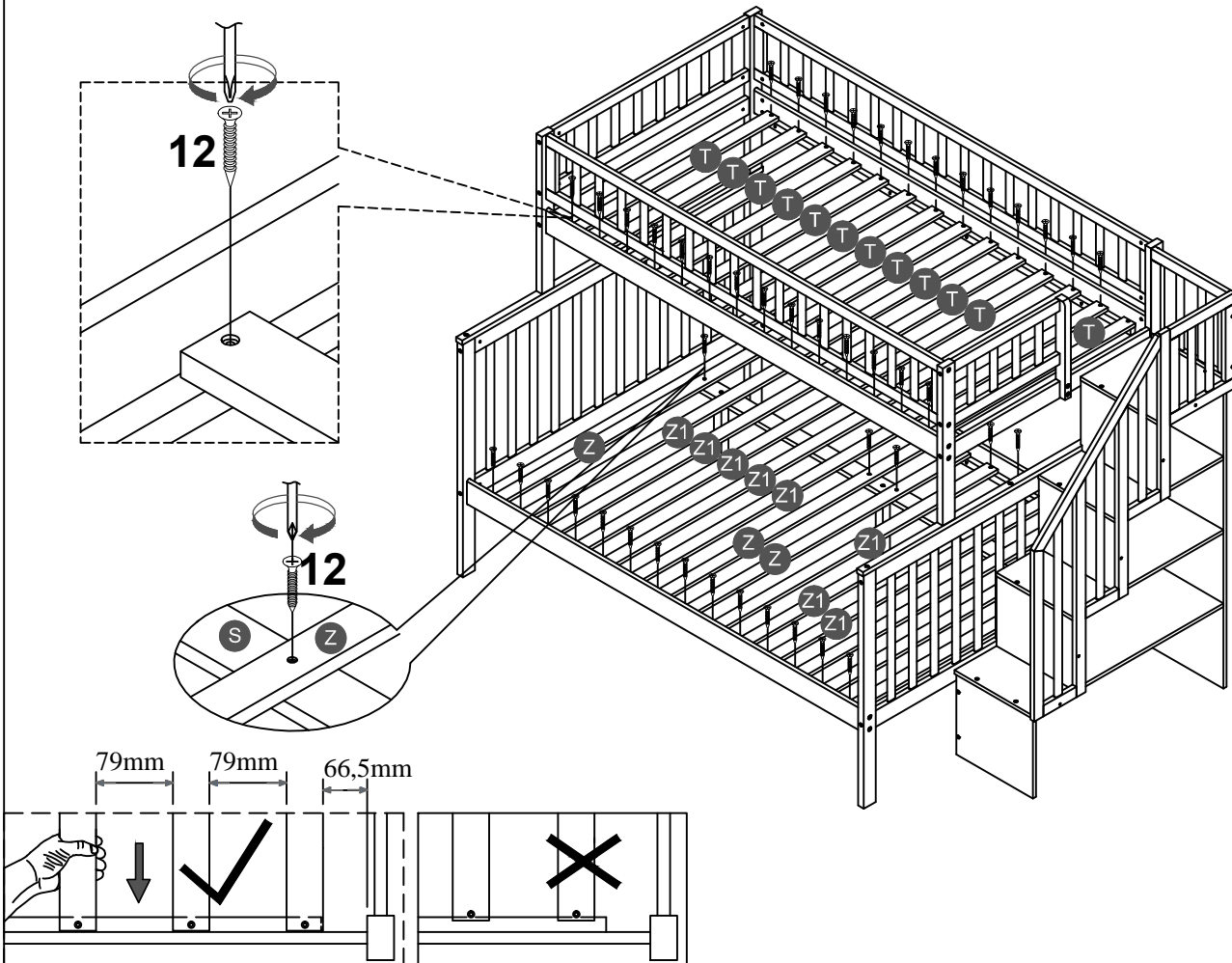
Assembling leg support (V) with lower support slat (S) later rotate, Move support slat inside Full bunkbed.

## STEP 10:

12



60PCS



Note: Do not lock the screws of the bed slats to the outermost edge of the bed slats, you need to leave a certain space at the edges, otherwise it will cause the board to break. Do not lock the bed slats on the edge of the wood, please hold firmly before screwing, hold it in place with one hand, then lock the screw.