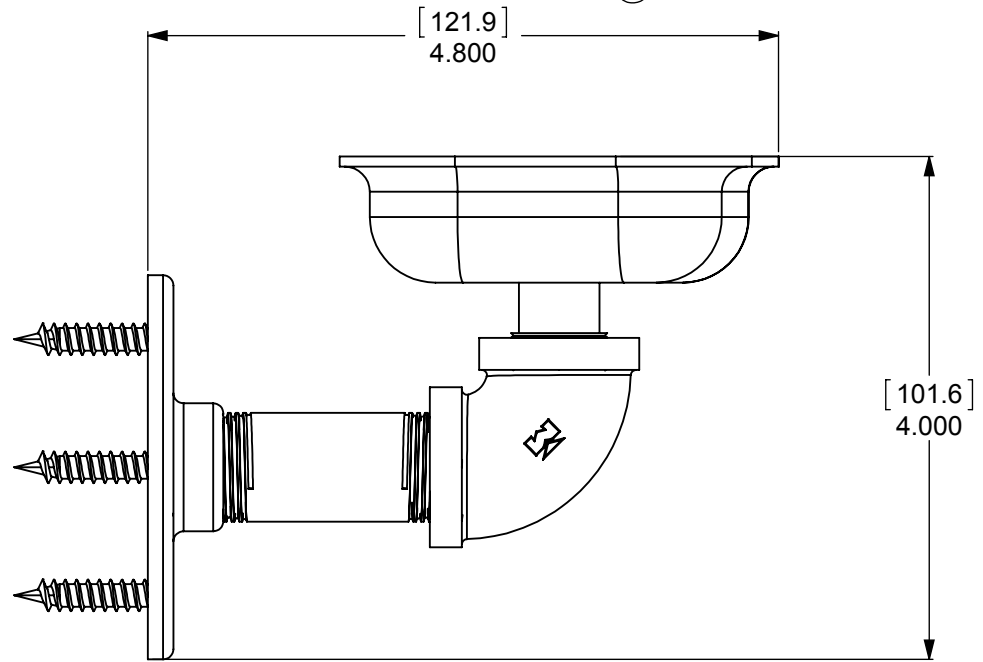
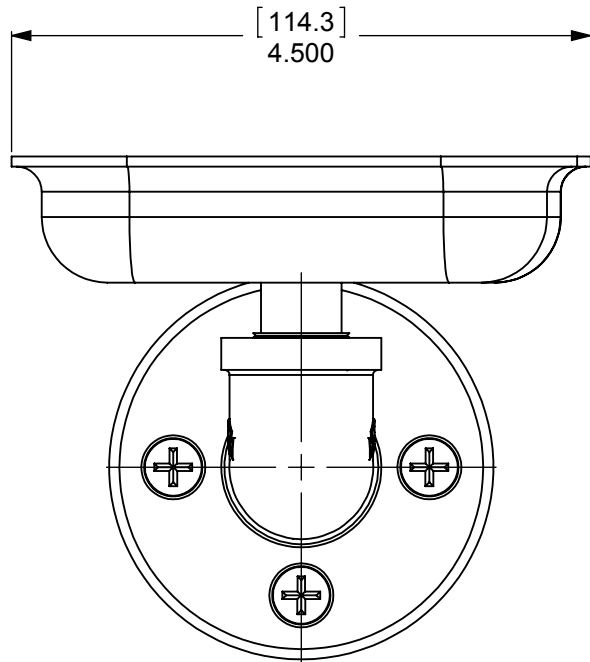
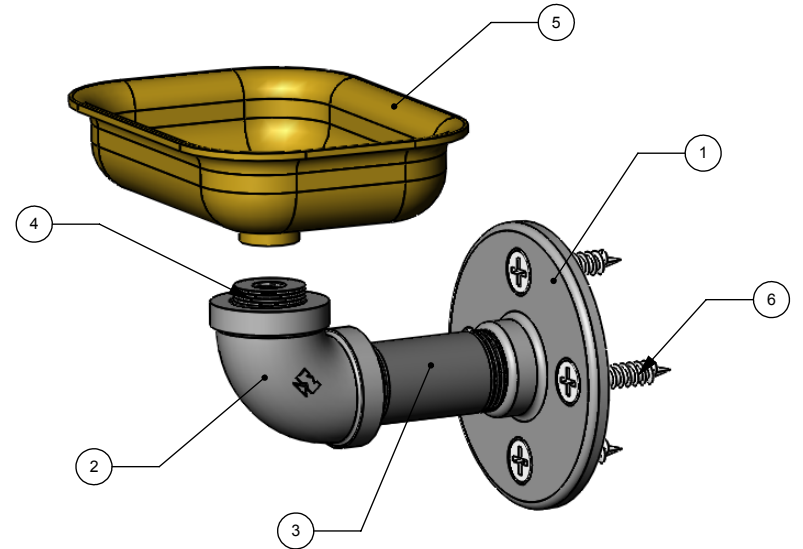


ITEM NO.	PART NUMBER	DESCRIPTION	QTY.
1	PIPE-FL12-3	1/2" FLANGE	1
2	PIPE-EL12-90	1/2" 90 DEG.ELBOW	1
3	PIPE-NIP12-3	1/2" 3" NIP	1
4	BUS-12X18	1/2" BUSHING	1
5	HRRTS	SOAP DISH TRAY	1
6	WOOD SCREW-12	#12 WOOD SCREW	4



**APPROVED FOR PRODUCTION**  
 BY: RICHARD PAUL  
 DATE: 5/31/2017

UNLESS OTHERWISE STATED	
.X	±.3mm
.XX	±.15mm
.XXX	±.008mm

COPYRIGHT © Allied Brass 2017

THIRD ANGLE PROJECTION

DRAWN	5/31/2017	I.M	MATERIAL:	BRASS	FINISH	TBD
CHECKED	5/31/2017	P.D	DESCRIPTION:		QUANTITY	TBD
APPROVED	5/31/2017	R.A	Pipeline Collection Wall Mounted Soap Dish		DRAWING No.	REV
					P-600-WSD	0
				SCALE	1:1.5	SHEET: 01 A4