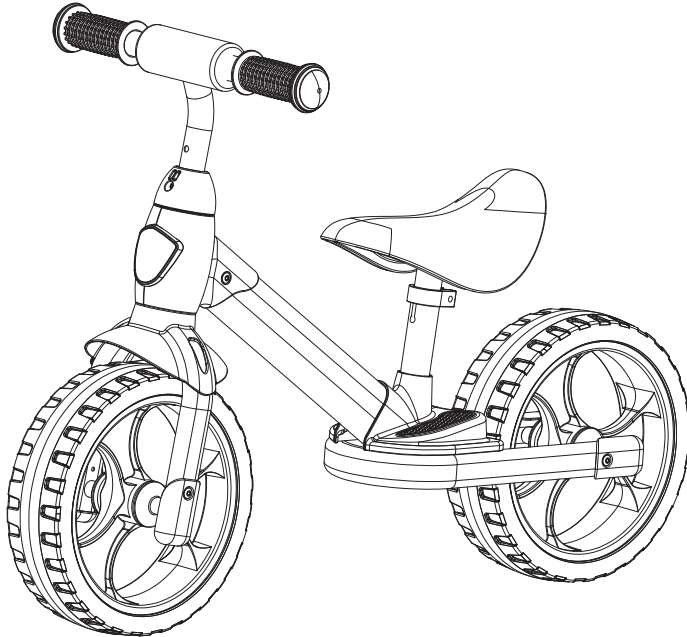


COSTWAY

USER'S MANUAL
BABY BALANCE BIKE
TQ10049

THIS INSTRUCTION BOOKLET CONTAINS **IMPORTANT** SAFETY INFORMATION. PLEASE READ AND KEEP FOR FUTURE REFERENCE.

Please give us a chance to make it right and do better!

Contact our friendly customer service department for help first.

Replacements for missing or damaged parts will be shipped ASAP!

Follow Costway



Contact Us!

Do NOT return this item.

Contact our friendly customer service department for help first.



Before You Start

Please read all instructions carefully and keep it for future reference.

Warnings:

Attention! Use it with protective equipment.

Attention! Not use it in the traffic.

Attention! The product is not suitable for the children under 3 years.

General Warnings:

- △ The product must be installed and used under the supervision of an adult.
- △ Read through each step carefully and follow the proper order.
- △ Remove all packaging, separate and count all parts and hardware.
- △ Please ensure that all parts are correctly installed, incorrect installation can lead to a danger.
- △ We recommend that, where possible, all items are assembled near to the area in which they will be placed in use, to avoid moving the product unnecessarily once assembled.
- △ Ensure a secure surface during construction, and place the product always on a flat, steady and stable surface.
- △ Please use the product carefully, as the product requires great skill, avoid accidents by the user or others, by fall or collision.
- △ Please wear suitable protective equipment during use, e.g. protective helmet, gloves, knee pads, elbow pads etc.

Please read this manual carefully before using the product. In order to avoid the safety problem, please use this tricycle in correct way according to this manual.

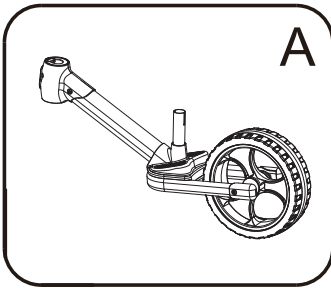
**WARNING**

1. TO AVOID SERIOUS INJURY, continuous adult supervision required.
2. Shoes must be worn at all times.
3. Only one rider at a time.
4. Only be used by children over the age of 24 months.
5. Please check if every part and component is connected well before using it. Otherwise it will be dangerous and easy to break.
6. Keep away from fire.
7. Warning: Plastic bags are dangerous. In order to avoid the danger of suffocation, please put the bag away from the baby and children's place.
8. Please do not load heavy things on balance bike, otherwise, it will be unstable and dangerous.
9. Please make sure all the connected parts are well locked, before using balance bike.
10. Ride-on toys should not be used near motor vehicles, streets, swimming pools, on or near steep hills, roadways, or inclines.
11. Please do not ride balance bike at or near these places: stairs, thresholds, steps, heaters, stoves and so on. Do not use it in downtown area, roadway as vehicle.
12. To avoid injury, balance bike must be played at a flat ground, don't play on slope ground. Please make sure there is no obstacle.
13. The maximum loading weight is 110 lbs, only for one child. Every riding time is no more than 1 hour.
14. The balance bike shall be used with caution, since skills is required to avoid falls or collisions causing injury to the user or third parties.
15. Adult assembly required.
16. Prior to assembly, this package contains small parts: hardware, which is a choking hazard and may contain sharp edges and sharp points.
17. Keep away from children until assembled.
18. Protective equipment should be worn. (e. g : protective helmet, protective knee pads and protective elbow pads) Not to be used in traffic.
- 19 This toy should be used with caution since skill is required to avoid falls or collisions causing injury to the user or third parties.

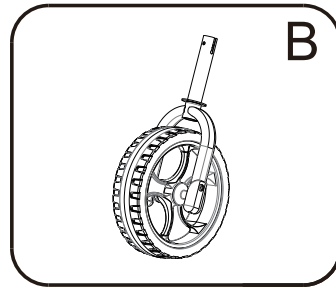
Maintenance and Repair

1. In order to avoid accidental injuries of your child, please check and maintain this balance bike periodically. Wipe the balance bike directly with dry cloth to clean it.
2. Apply lubricant periodically to the rotating parts like the front and rear axles and handlebar shaft to extend the product's service life.
3. Periodically check if the screws are loosen, and replace the damaged components if there's any.
4. Always check if the connecting bolt between the balance bike and saddle is tightened and be sure that it is tightened with a torque no less than 15N.M.

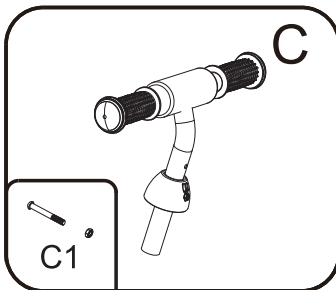
Component Names



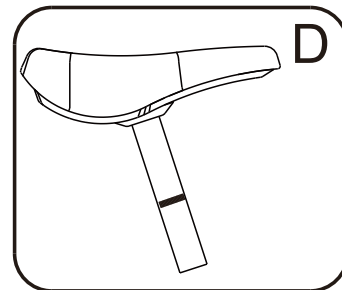
A Frame



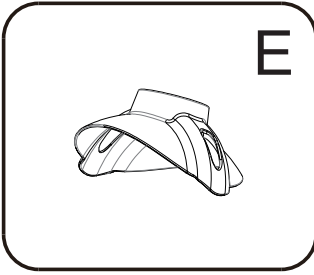
B Fork assembly



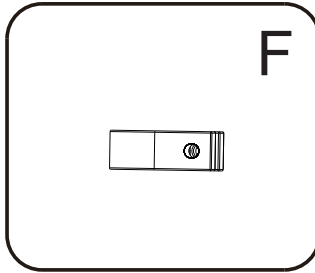
C Handlebar
C1 Phillips screws
Nut



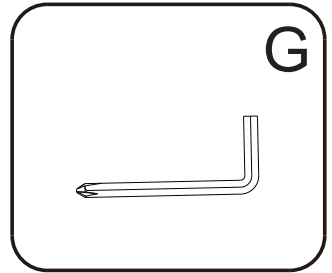
D Saddle



E Mud board

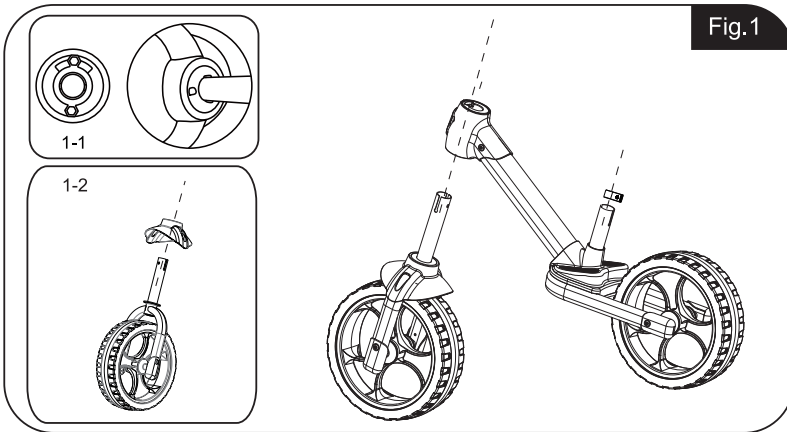


F Chuck



G Phillips-hexagonal wrench

Assembly and Use

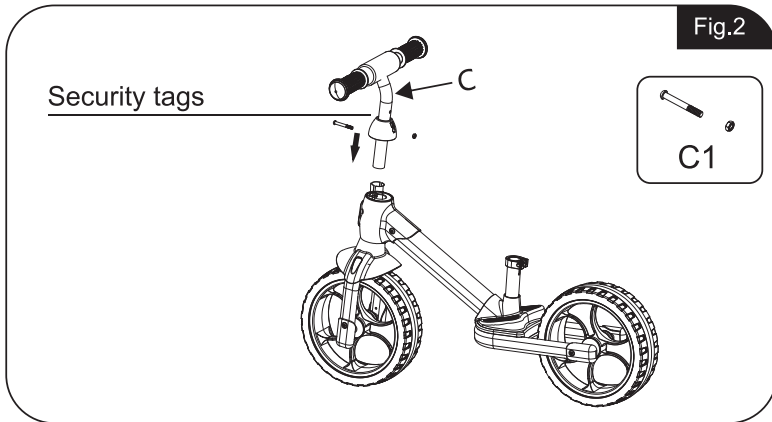


1. Installing the front wheel

Insert the fender (E) into the front wheel and insert the chuck (F) into the saddle riser

As shown in Fig. 1, install the front fork assembly (note the front and rear ends), and then install the front fork assembly (B) through the hole in the head of the frame (A).

Notice: when fitting the front fork assembly (B) through the hole in the head of the frame (A), make sure to insert the bulge on the front fork assembly (B) in the fan-shaped indentation at the head of the frame (A).

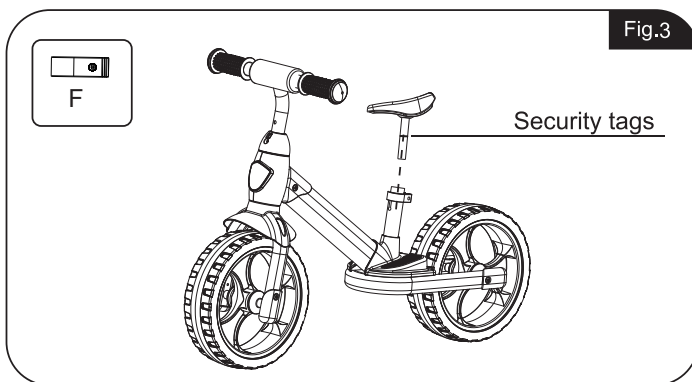


2.Installing the handlebar

As shown in Fig. 2:

First use an Allen wrench to loosen the inner screw (C1) of the handlebar, then insert the handlebar into the front fork riser in the direction of the arrow. Pay attention to the alignment of the holes in the handlebar chuck on the front fork riser, and finally tighten the screw (C1).

Notice: the handlebar must be inserted to a depth where the safety line can't be seen.



3.Installing the saddle

As shown in Fig. 3:

Place the assembly chuck (F) in the middle of the frame;

Assemble the saddle (D);

Then tighten the assembly chuck (F) with the Phillips-hexagonal wrench (G) (pre-tighten the chuck, adjust it to an appropriate position and then lock it).

Welcome to visit our website and purchase our quality products!

With your inspiring rating, COSTWAY will be more consistent to offer you
EASY SHOPPING EXPERIENCE, GOOD PRODUCTS and EFFICIENT SERVICE!

US office: Fontana, California

UK office: Ipswich



- * Reward Points
- * Exclusive Customer Service
- * Personalized Recommendations
- * Permanent Shopping Cart
- * Order History

5 Star Rating



We would like to extend our heartfelt thanks to
all of our customers for taking time to assemble
this product and giving us valuable feedbacks.

*THANK
YOU*
☺

