

# Use and Care Guide

## Floating Wall Shelf

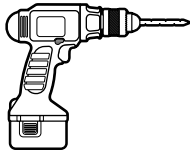
Item # See page 2  
 Model #

**HOME**  
 DECORATORS  
 COLLECTION

### TOOLS REQUIRED



Phillips screwdriver



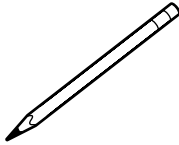
Power drill



9/32 in. drill bit

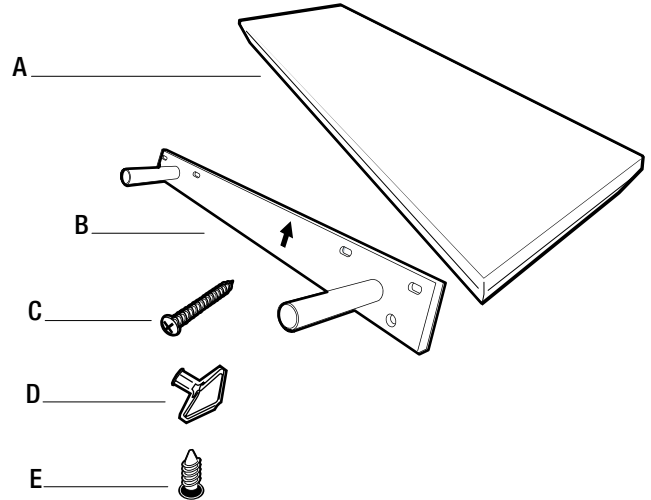


Level



Pencil

### PACKAGE CONTENTS

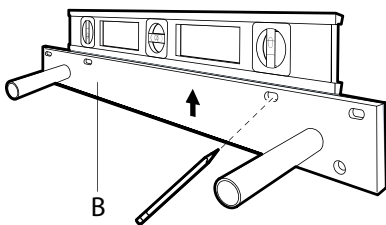


| Part | Description    | Quantity |
|------|----------------|----------|
| A    | Shelf          | 1        |
| B    | Backplate      | 1        |
| C    | Screw          | 6        |
| D    | Drywall anchor | 4        |
| E    | Set screw      | 2        |

## Installation

### 1 PREPARING FOR INSTALLATION

- Place the backplate (B) against the wall in the desired position.
- While holding the backplate (B) against the wall, use a level to ensure that the backplate (B) is level.
- Use a pencil to mark the backplate (B) holes on the wall.
- Ensure that arrow located on backplate (B) is pointing up.

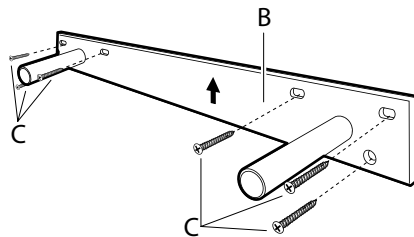


### 2 INSTALLING THE BACKPLATE



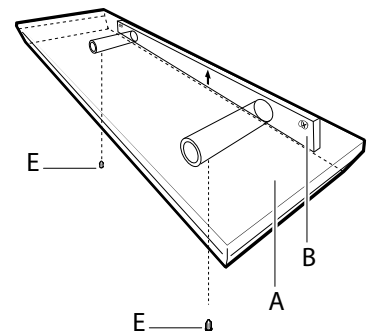
**IMPORTANT:** If you are drilling into a stud, it is NOT necessary to pre-drill the hole!

- Using a power drill and a 9/32 in. drill bit, drill holes into the wall at the pencil marks.
- Insert the drywall anchors (D) into the holes.
- Use a Phillips screwdriver and the screws (C) to secure the backplate (B) to the wall.



### 3 INSTALLING THE SHELF

- Slide the shelf (A) onto the backplate (B).
- Align the holes on the bottom of the shelf (A) with the holes on the bottom of the tubes on the backplate (B).
- Use the set screws (E) to secure the shelf (A) to the backplate (B) by inserting the set screws (E) through the bottom of the shelf (A) and into the backplate tubes.



## Safety Information



**WARNING:** It is strongly recommended that this shelf be installed in studs to ensure maximum stability and load capacity.



**WARNING:** The maximum load capacity of this shelf is 15 lbs.

## Warranty

### WHAT IS COVERED

The supplier warrants the original purchaser of this product against defects in material and workmanship for a period of one year from date of original purchase. Our sole obligation under this warranty is to repair or replace the defective product, which must be returned during the warranty period, to the store where the product was purchased. Return of the product must be accompanied by a dated proof of purchase, such as a photocopy of the receipt.

This warranty does not apply if accident or misuse has resulted in damage to the product. We make no other warranty, expressed or implied, to you or any other person or entity. Specifically, we make no warranty that this product is fit for a particular purpose. Any implied warranty of merchantability is limited to the respective duration and the conditions stated in this Limited Warranty and are otherwise expressly disclaimed. We will not be liable for special, incidental, consequential, indirect, or other similar damages, even if our agent or we have been advised of the possibility of the damages. This means that we are not responsible or liable for damages or costs incurred as a result of loss of time, loss of profits, or loss of use of the product. In addition, we are not responsible or liable for damages of costs incurred in connection with obtaining a substitute product, claims by others, inconvenience, or similar costs. In no event will our liability for any damages to you or any other person ever exceed the price paid for this product regardless of any form of the claim.

Additional statements by our employers, agents, representatives, distributors, dealers, and retailers such as advertisements or presentations, do not constitute warranties by us, do not bind us, nor should these statements be relied upon.

| Item #  | Model # |
|---------|---------|
| 244-461 | 9084620 |
| 244-593 | 9084622 |
| 244-692 | 9084624 |
| 369-366 | 9084644 |
| 245-220 | 9084646 |
| 245-484 | 9084648 |
| 246-276 | 9084638 |
| 246-342 | 9084640 |
| 247-464 | 9084642 |
| 247-497 | 9084634 |
| 248-388 | 9084630 |
| 250-269 | 9084636 |
| 250-368 | 9084632 |