

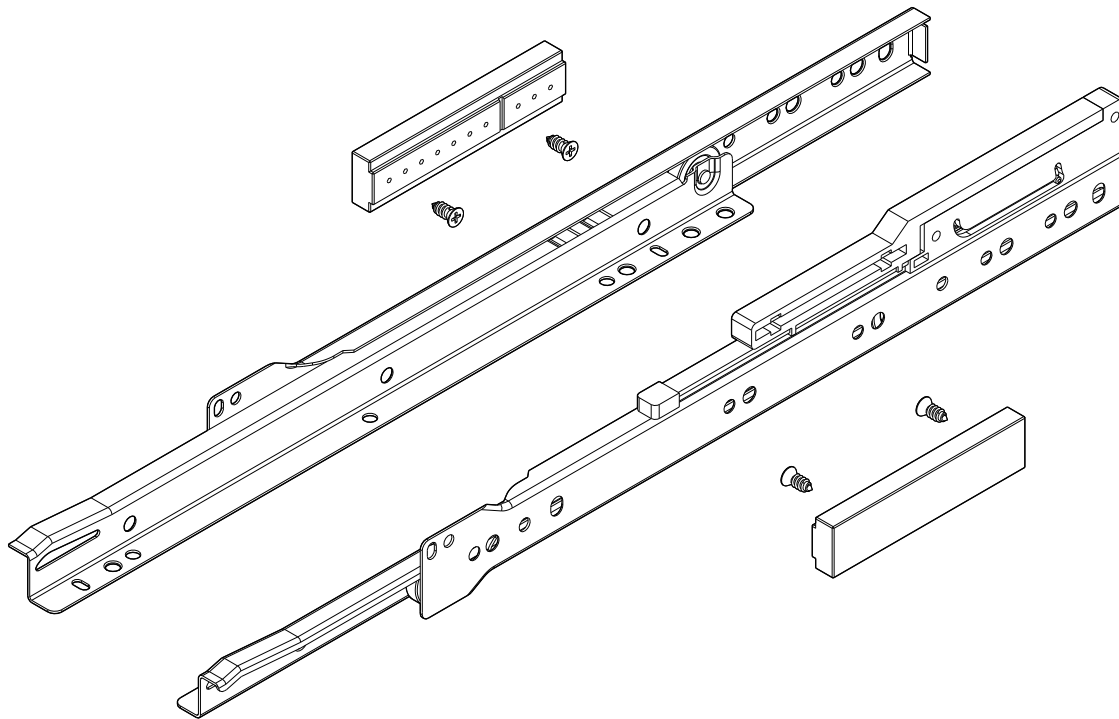
**EVERBILT**

TM

# INSTALLATION GUIDE

---

## SOFT CLOSE DRAWER SLIDES FOR ALL CABINETS



Questions, problems, missing parts? Before returning to the store,  
call Everbilt Customer Service  
8 a.m. - 7 p.m., EST, Monday - Friday, 9 a.m. - 6 p.m., EST, Saturday

**1-800-305-1726**

**HOMEDEPOT.COM**

---

**THANK YOU**

*We appreciate the trust and confidence you have placed in Everbilt through the purchase of this product. We strive to continually create quality products designed to enhance your home. Visit us online to see our full line of products available for your home improvement needs. Thank you for choosing Everbilt!*

# Table of Contents

Table of Contents .....	2	Pre-Installation .....	3
Safety Information .....	2	Installation Options. . . . .	3
Warranty .....	2	Tools Required . . . . .	3
		Package Contents . . . . .	4
		Planning Installation . . . . .	5
		Face Frame Installation .....	6
		Frameless Installation .....	7

# Safety Information

Please read and understand this manual before installing this product.

	<b>CAUTION:</b> Always be cautious when using power tools.
---	--

# Warranty

Subject to the terms of this warranty, the Manufacturer warrants to the original consumer purchaser that the product will be free from defects in material and workmanship. If the product does not comply with this warranty, the Manufacturer will repair or replace the product or, at the Manufacturer's option, refund the purchase price. Repair, replacement, or refund of the original purchase price is your sole remedy under this or any other warranty on the product, whether expressed or implied.

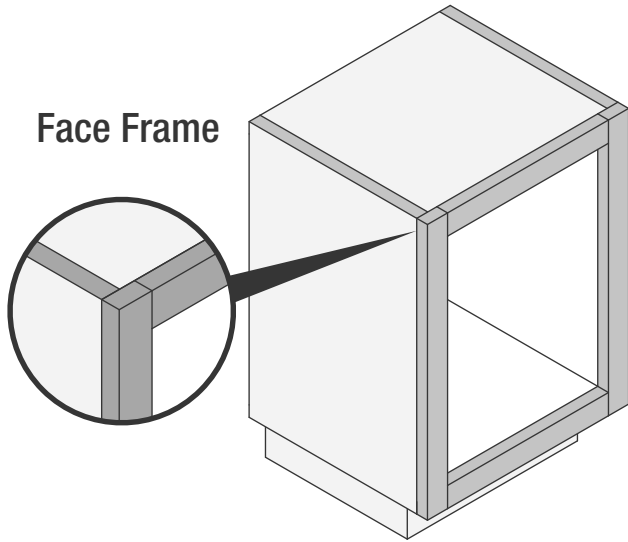
For additional details and questions, please contact Everbilt Customer Service at 1-800-305-1726.

# Installation Options

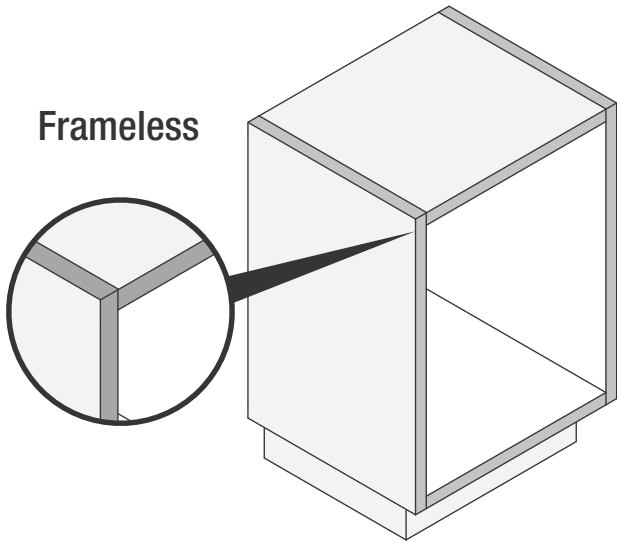
## 1 WHICH CABINET DO I HAVE?

Please note the following points:

- These slides can be installed in Face Frame and Frameless cabinets.
- Drawer side clearance must be 1/2in. on either side of drawer box. (See Page 5 diagram for more information.)

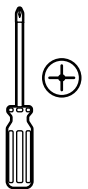


If you have Face Frame cabinets, please follow all Face Frame instructions in this manual.

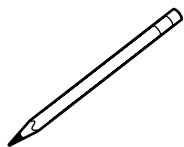


If you have Frameless cabinets, please follow all Frameless instructions in this manual.

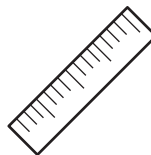
### TOOLS REQUIRED



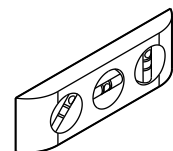
Phillips Head #2 Screwdriver



Pencil or Scribe



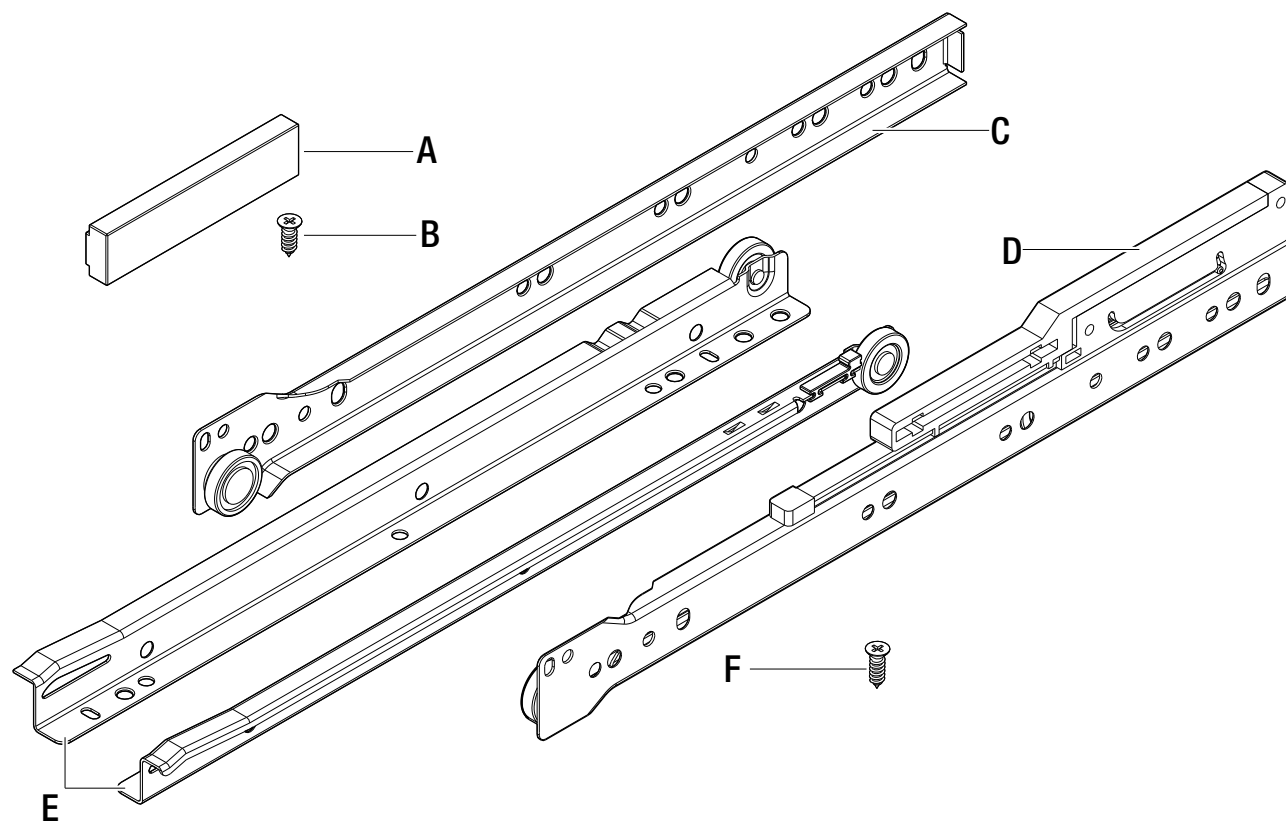
Ruler (in. and mm)



Level

# Pre-Installation

## PACKAGE CONTENTS

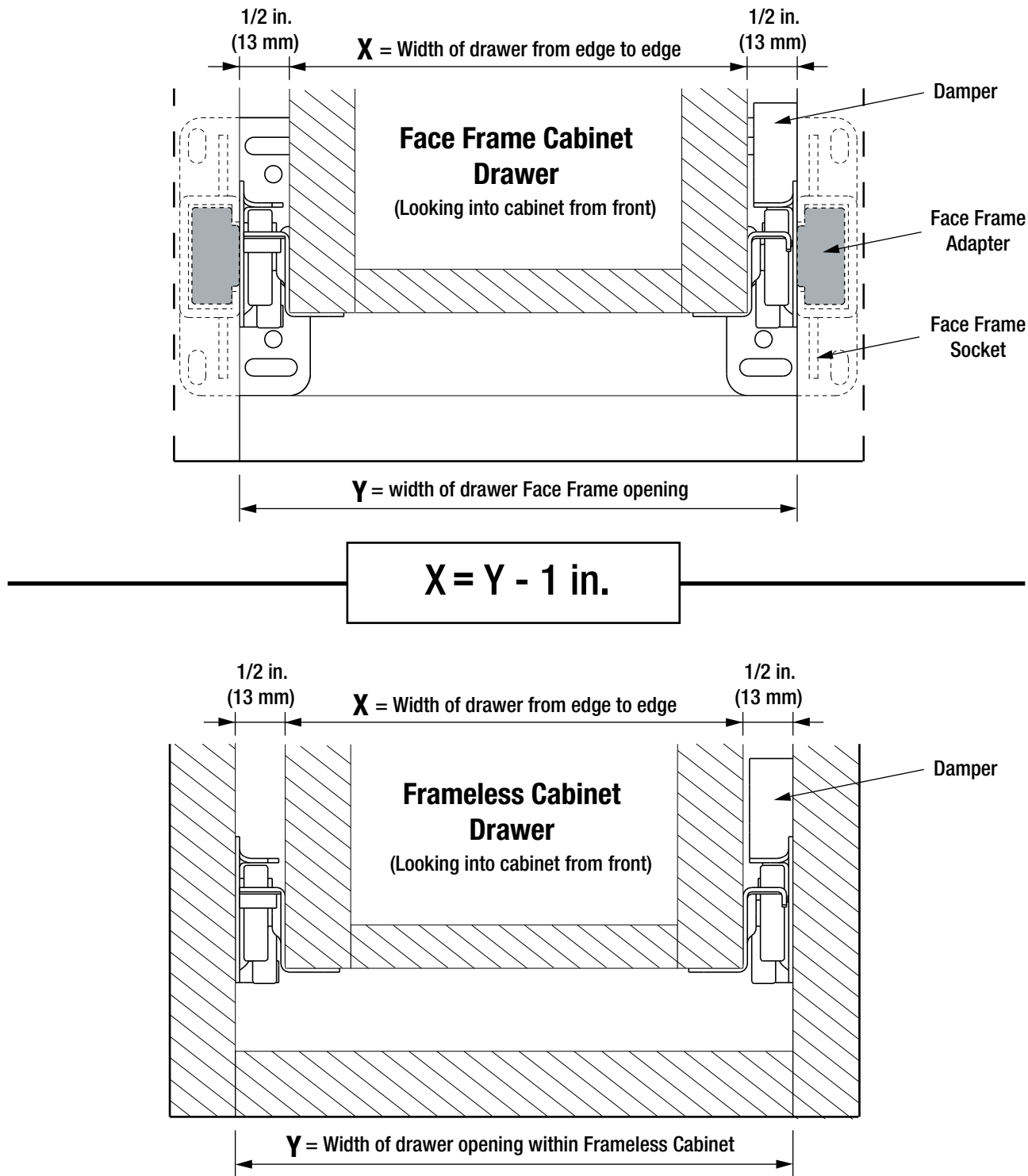


Part	Description	Quantity
A	Face Frame Adapter	2
B	3.5 x 12 Counter Sunk Screw for Adapter	4
C	Cabinet Side Slide Left	1
D	Cabinet Side Slide Right	1
E	Drawer Side Slide Left & Right	2
F	3.5 x 16 Counter Sunk Screw for Slides	12

# Pre-Installation (continued)

## PLANNING INSTALLATION

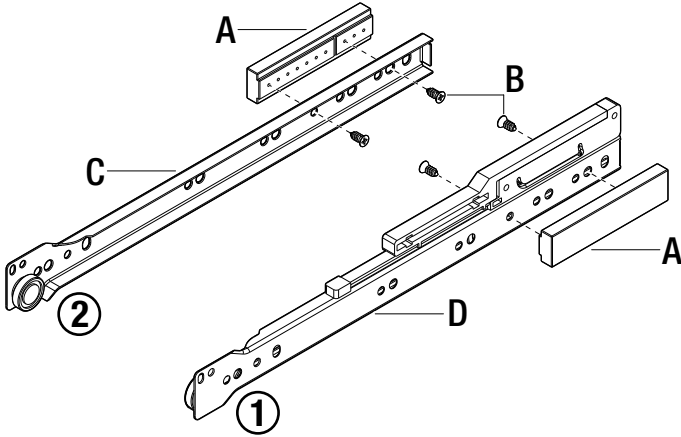
When you are finished installing your new Soft Close Roller Runner - the inside of your cabinet will look like:



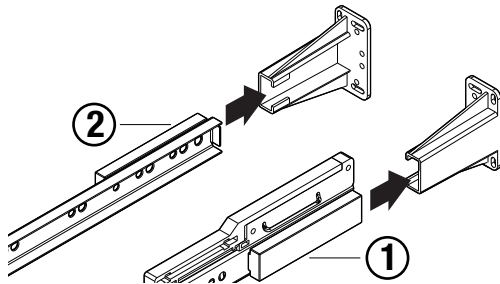
# Installation for Face Frame

PLEASE NOTE: Face Frame Cabinets require a Rear Panel Bracket - SOLD SEPARATELY! SKU 1002772986

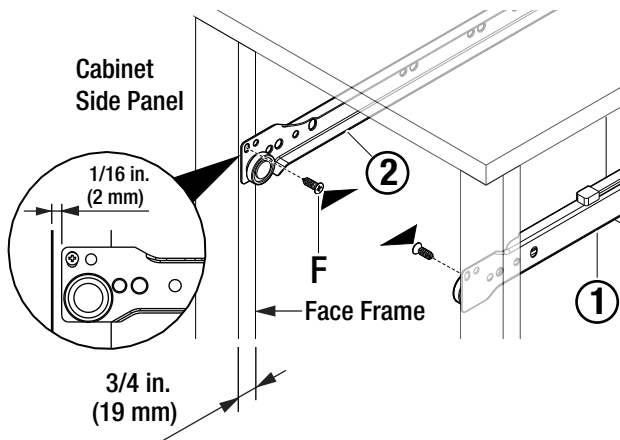
**1** Attach the Face Frame Adapter (A) to the Cabinet Side Slide Right (D) and Left (C) with two screws (B) each. **DO NOT** use electric drill to attach.



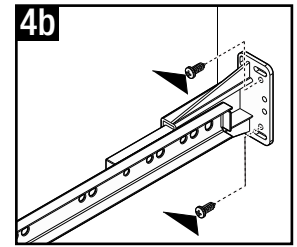
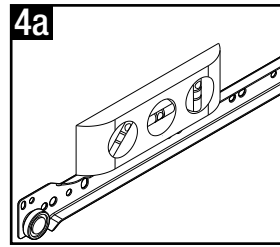
**2** Place each Cabinet Side Slide into Rear Panel Bracket.



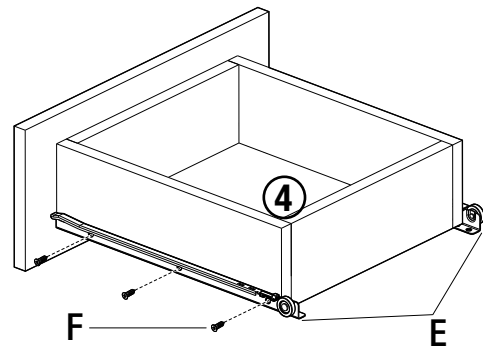
**3** Ensure each Cabinet Side Slide (2 and 1) is level and attach with two screws (F) to Face Frame Cabinet.



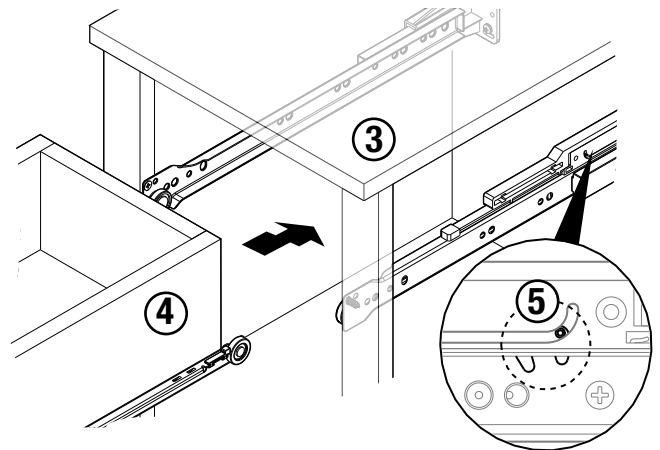
**4** Ensure each Cabinet Slide (2 and 1) is level and secure bracket to back of cabinet with 2 screws provided in SKU 1002772986.



**5** Install Drawer Slides (E) on bottom side of the drawer using six screws (F) (Three on each side).



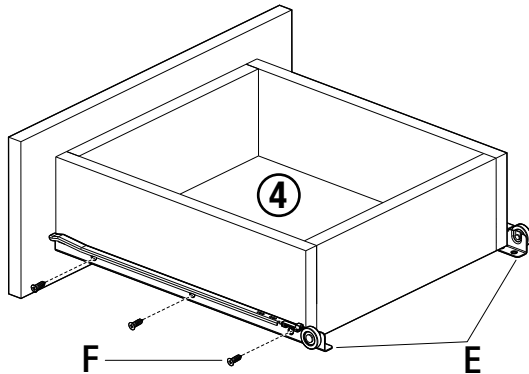
**6** To install Drawer (4) into Cabinet (3) make sure the Soft Close Damper is pulled forward (as shown in 5) then push drawer in until Soft Close Damper catches and pulls the drawer closed.



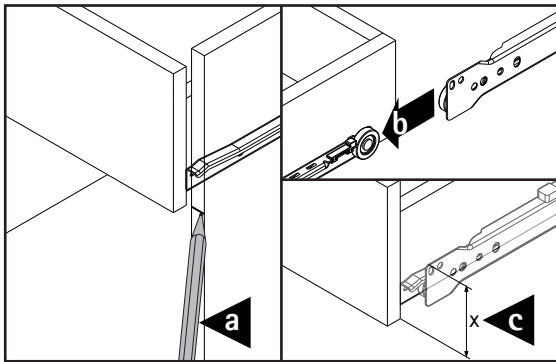
**7** Once drawer is installed, check drawer alignment to ensure the soft close damper is engaging. If necessary, remove drawer and adjust rear panel brackets as needed. Once final placement is achieved, remove drawer one last time and secure rear panel brackets with remaining screws from SKU 1002772986.

# Installation for Frameless

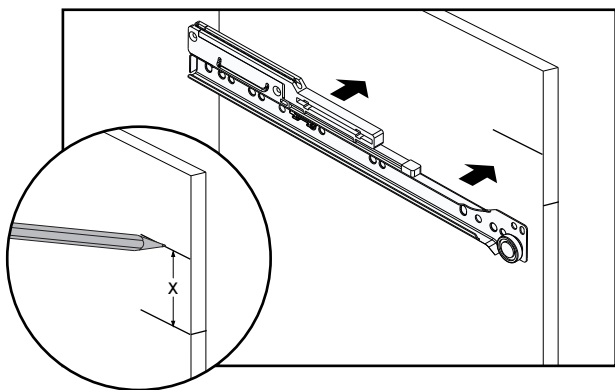
- 1** Begin by installing Drawer Slides (G) on bottom side of the drawer using 6 screws (H).



- 2** Next, figure out where the slide should fit into the cabinet.

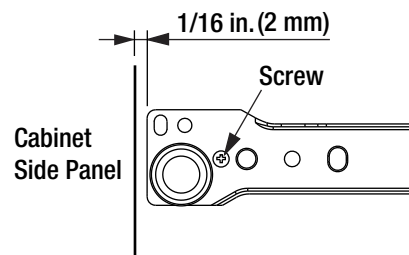


- a. Insert drawer into cabinet and mark the bottom of drawer front.
- b. Take drawer out of cabinet and place Cabinet Slide onto Drawer Slide.
- c. Measure the top of the drawer slide to the bottom of the drawer front = X

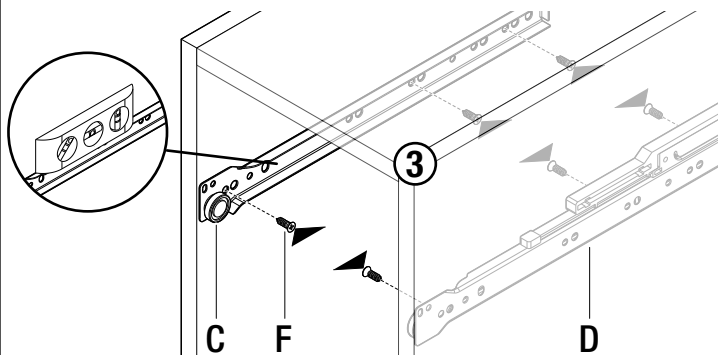


Mark "X" from front bottom mark. Align top of Cabinet Side Slide with mark.

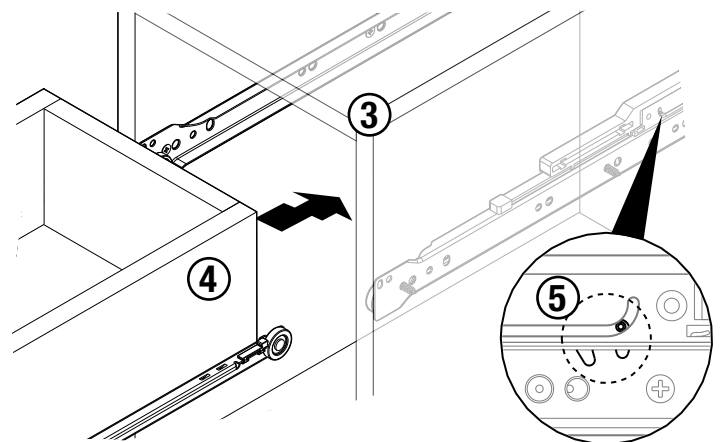
- 3** Next, secure the front of the slide to the cabinet.



- 4** Line up slides to your marks in the cabinet and ensure Cabinet Side Slide Left (C) and Cabinet Side Slide Right (D) are level. Then attach with 3 screws (F) to each side.



- 5** To install Drawer (4) into Cabinet (3) make sure the Soft Close Damper is pulled forward (as shown in (5)) then push drawer in until Soft Close Damper catches and pulls the drawer closed.





Questions, problems, missing parts? Before returning to the store,  
call Everbilt Customer Service  
8 a.m. - 7 p.m., EST, Monday-Friday, 9 a.m. - 6 p.m., EST, Saturday

**1-800-305-1726**

**HOMEDEPOT.COM**

Retain this manual for future use.