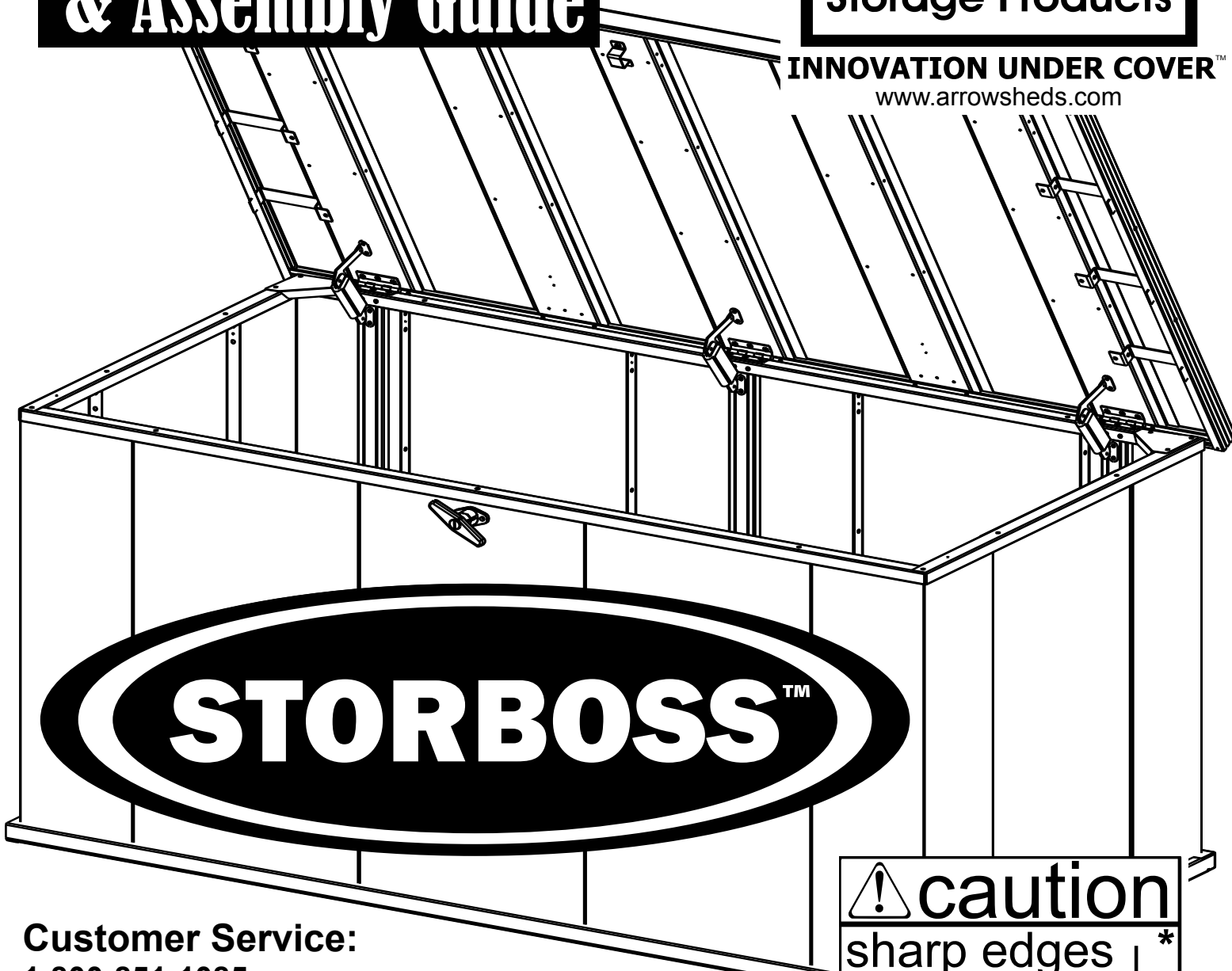


718060913

Owner's Manual & Assembly Guide



INNOVATION UNDER COVER™
www.arrowsheds.com



caution
sharp edges *

Gloves must be worn at all times to reduce risk of injury!

Customer Service:
1-800-851-1085 or
assist@arrowsheds.com

PATENT PENDING

UNIT DIMENSIONS

Storage Area		Exterior Dimensions (Lid Edge to Lid Edge)			Interior Dimensions (Wall to Wall)		
		Width	Depth	Height	Width	Depth	Height
10 Sq. Ft.	21 Cu. Ft.	57 3/8"	29 3/4"	28"	53 3/4"	26 1/16"	26"
0,9 m ²	0,6 m ³	145,7 cm	75,6 cm	71,1 cm	136,5 cm	66,2 cm	66 cm

* See Inside for Detailed Safety Information.

BEFORE YOU BEGIN...

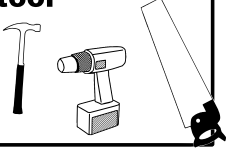
Safety precautions MUST be followed at all times throughout the construction of your Storage Unit!

sharp edges



•Care must be taken when handling various pieces of your Storage Unit since many contain sharp edges. Please wear work gloves, eye protection and long sleeves when assembling or performing any maintenance on your Storage Unit.

always practice proper tool safety



•Practice caution with the tools being used in the assembly of your Storage Unit. Be especially familiar with the operation of all power tools.

no children or pets at worksite



•Keep children and pets away from the worksite during construction. Do not allow children to help with assembly.

beware of wind



•Do NOT attempt to assemble your Storage Unit on a windy day. The large panels can catch the wind like a "sail", causing them to be whipped around making construction difficult and unsafe.

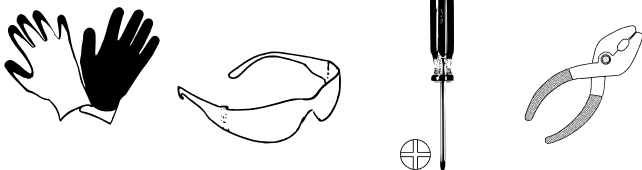
•If possible, two people should work together to assemble your Storage Unit. This will make assembly faster and easier.

Reading and following all steps carefully will help make assembly quicker and easier. Before you begin assembly, be sure to confirm that all the parts for your Storage Unit are present using the checklist on pages 3 and 4. If parts are missing, include the model number of your storage unit and contact Customer Service at 1-800-851-1085 or online at assist@arrowsheds.com.

NOT RECOMMENDED FOR STORAGE OF CORROSIVE CHEMICALS OR PRODUCTS

Below is a list of things you will need to assemble your Storage Unit.

WHAT YOU NEED



- Work Gloves
- Safety Glasses
- No. 2 Phillips Screwdriver (Magnetic Tip Preferred)
- Pliers

RECOMMENDED TIME SAVERS

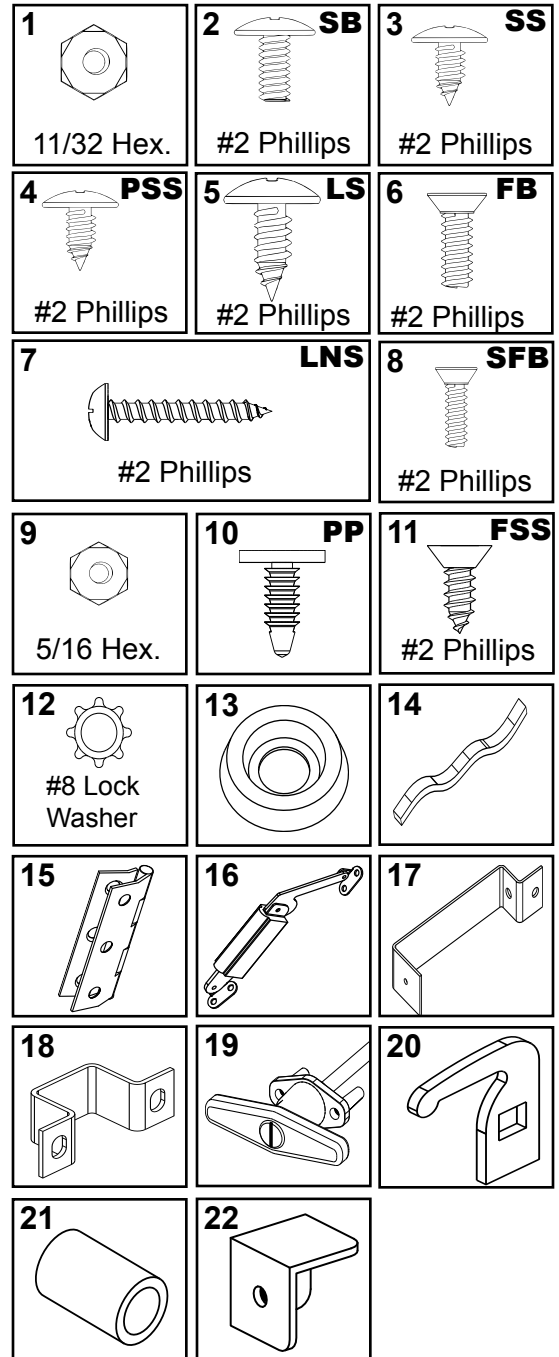


- Power Drill (Cordless, Variable Speed)
- Nut Driver or Wrench
- Awl (to help align holes)

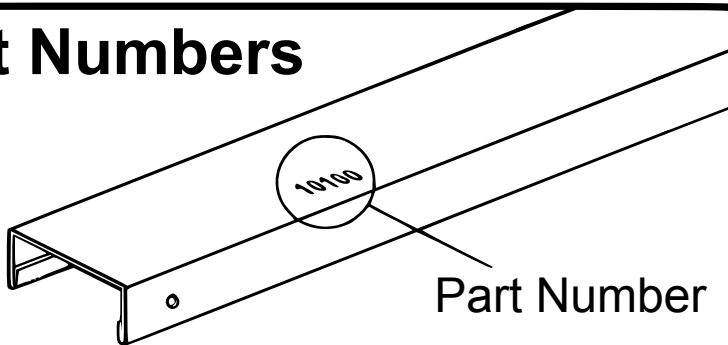
HARDWARE LIST...

03L

Key No.	Part No.	Part Description	Qty.	✓ List
1	65103	Hex Nut (#8-32)	30	
2	65923	Small Bolt (#8-32 x 3/8) (10 mm)	22	
3	65004	Small Screw (#8AB x 5/16) (8 mm)	58	
4	65004-57	Small Screw (Painted) (#8AB x 5/16) (8 mm)	6	
5	66611	Large Screw (#10AB X 1/2) (13 mm)	27	
6	66783	Flat Head Bolt (#8-32 X 1/2) (13 mm)	6	
7	65914	Long Screw (#6AB X 7/8) (22 mm)	8	
8	66714	Small Flat Head Bolt (#6-32 X 7/16) (11 mm)	1	
9	65941	Hex Nut (#6-32)	1	
10	66676	Push Pin	46	
11	66802	Flat Head Self Tapping Screw (#8A X 1/2) (13 mm)	3	
12	66800	#8 Lock Washer	2	
13	69953	Plastic Foot	9	
14	66798	Foam Tape 8" (20 cm)	1	
15	66784	Offset Hinge	3	
16	66785	Lid Stay	3	
17	66786	End Cap Strap	6	
18	66796	Lid Catch	1	
19	66792	Locking T-Handle	1	
20	66797	Latch	1	
21	66801	Plastic Spacer	1	
22	60H	Corner Cap	2	



Part Numbers



1. Each part has an identifying part number on it.
2. Part Numbers are referenced in each step.
3. Unpainted parts have a stamped in number and painted parts have a number that is inked on.

Remove inked on numbers with soap and water after assembly.

Confirm that all hardware and parts are present before attempting to assemble your Storage Unit.

For missing parts contact Customer Service. Do not return to store.

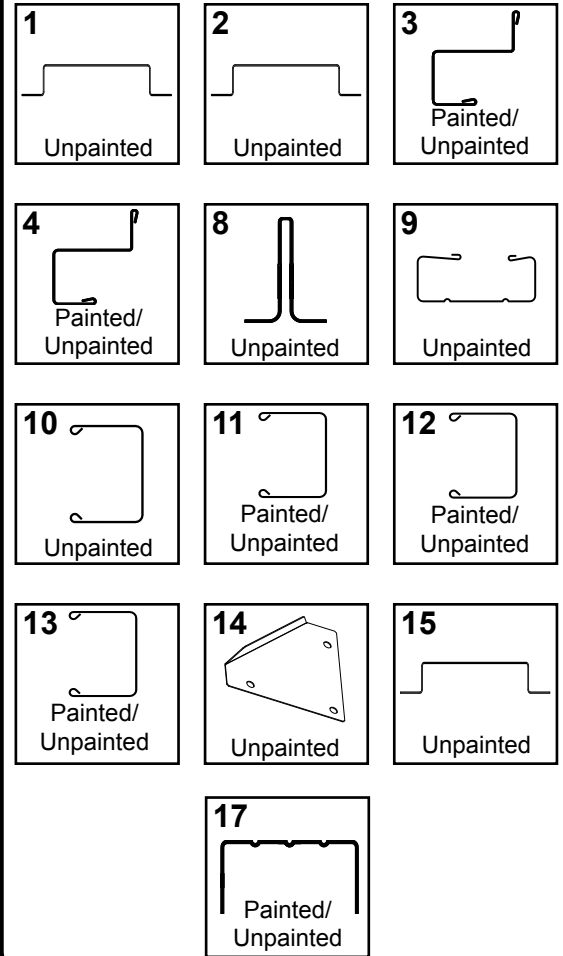
Customer Service:

1-800-851-1085 or
assist@arrowsheds.com

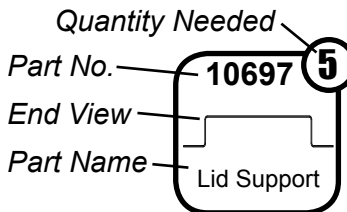
PARTS LIST...

Key No.	Part No.	Part Description	Qty.	✓ List
1	10682	Floor Section	4	
2	10683	Front & Rear Floor Section	2	
3	10685	Front & Rear Floor Channel	2	
4	10686	Side Floor Channel	2	
5	10687	Lid Handle Panel	1	
6	10688	Wall Panel	7	
7	10689	Corner Panel	4	
8	10690	U-Splice	12	
9	10691	Lid Stay Brace	3	
10	10692	Lid Handle Brace	1	
11	10693	Front Top Channel	1	
12	10694	Rear Top Channel	1	
13	10695	Side Top Channel	2	
14	6481	Gusset	2	
15	10697	Lid Support	5	
16	10698	Lid Panel	1	
17	10696	Lid End Cap	2	

Selected End Views by Key No.

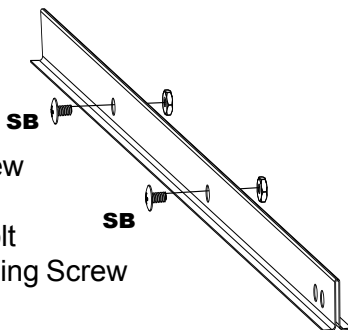


At the top of each page you will see one or more **Part Cues** like the one to the right. These **Part Cues** are designed to help you quickly identify the parts needed for each step.

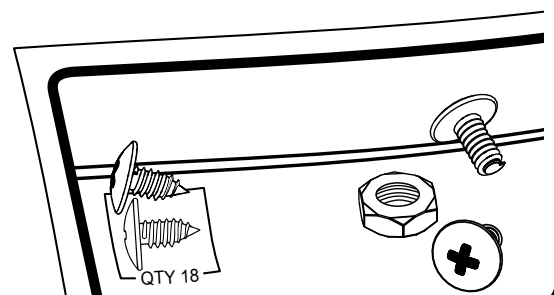


Various fasteners are used throughout the construction of your storage unit. In each step you will see the abbreviations listed below used in the illustrations to help you identify which fastener to use.

- SB** - Small Bolt
- SS** - Small Screw
- LS** - Large Screw
- PP** - Push Pin
- FB** - Flat Head Bolt
- PSS** - Painted Small Screw
- LNS** - Long Screw
- SFB** - Small Flat Head Bolt
- FSS** - Flat Head Self Tapping Screw

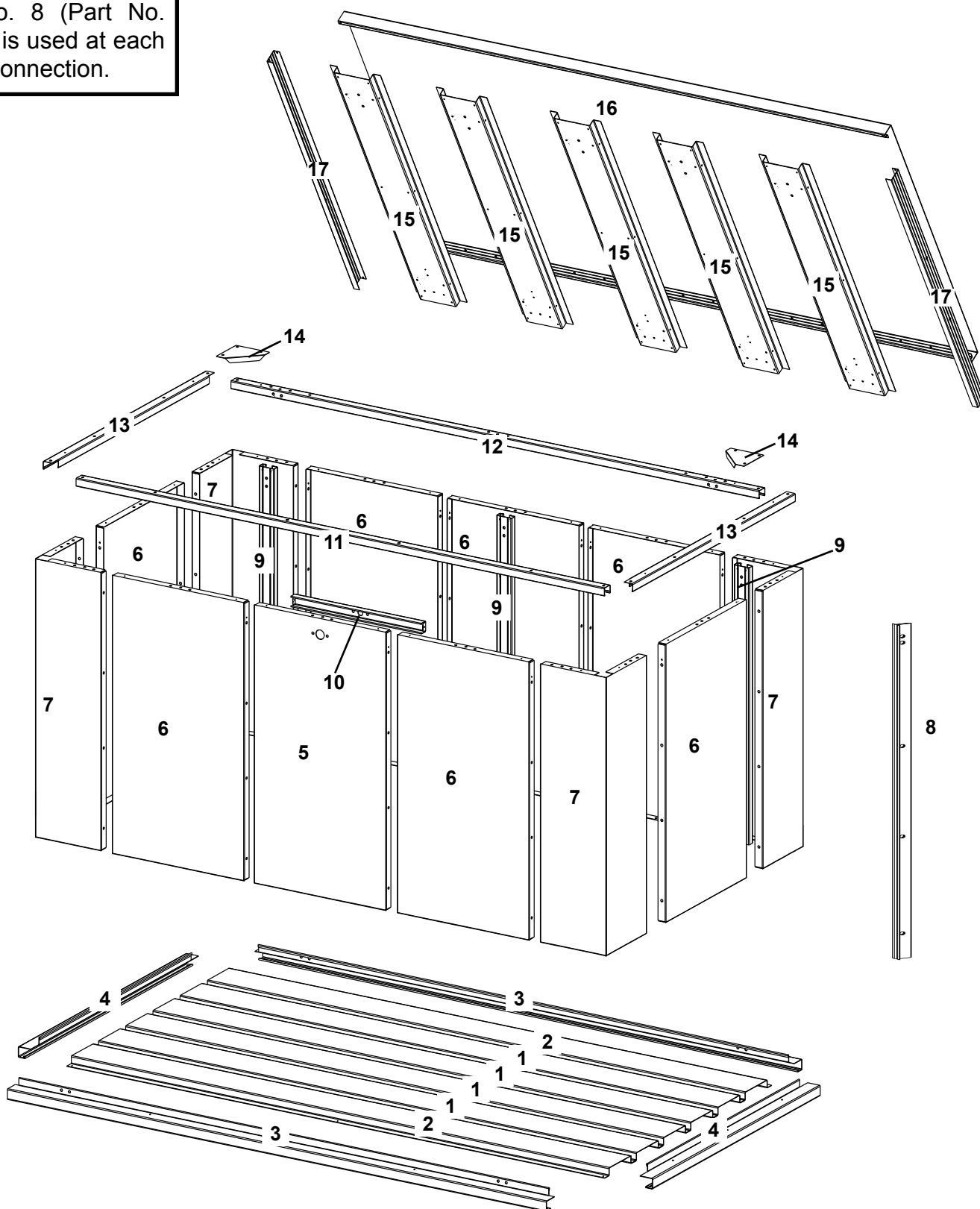


The fasteners used in each step are shown actual size at the top of each page. If you are unsure which fastener to use, hold it up to the picture and use the one that matches.



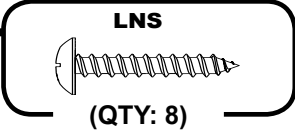
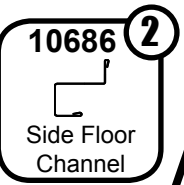
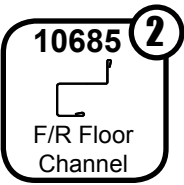
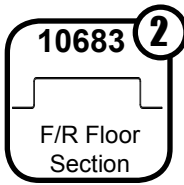
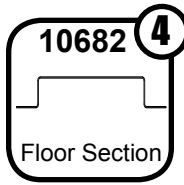
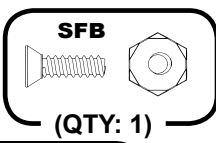
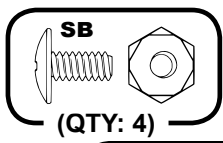
ASSEMBLY BY KEY NO.

NOTE: The U-Splice, Key No. 8 (Part No. 10690) is used at each Panel connection.

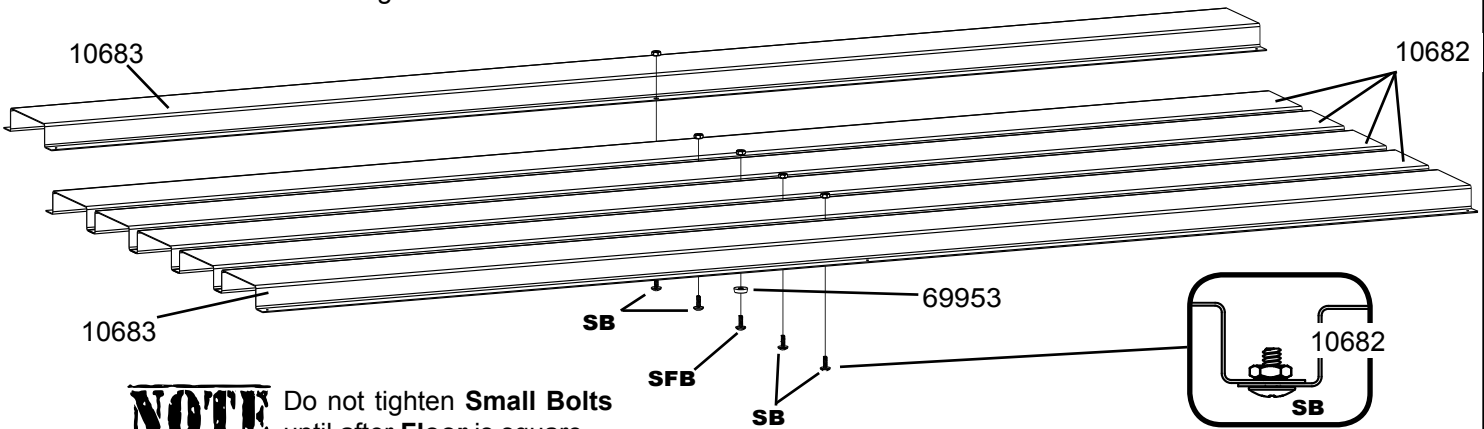


Step 1

You will need for this page:

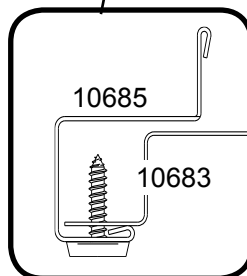
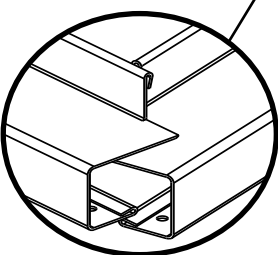
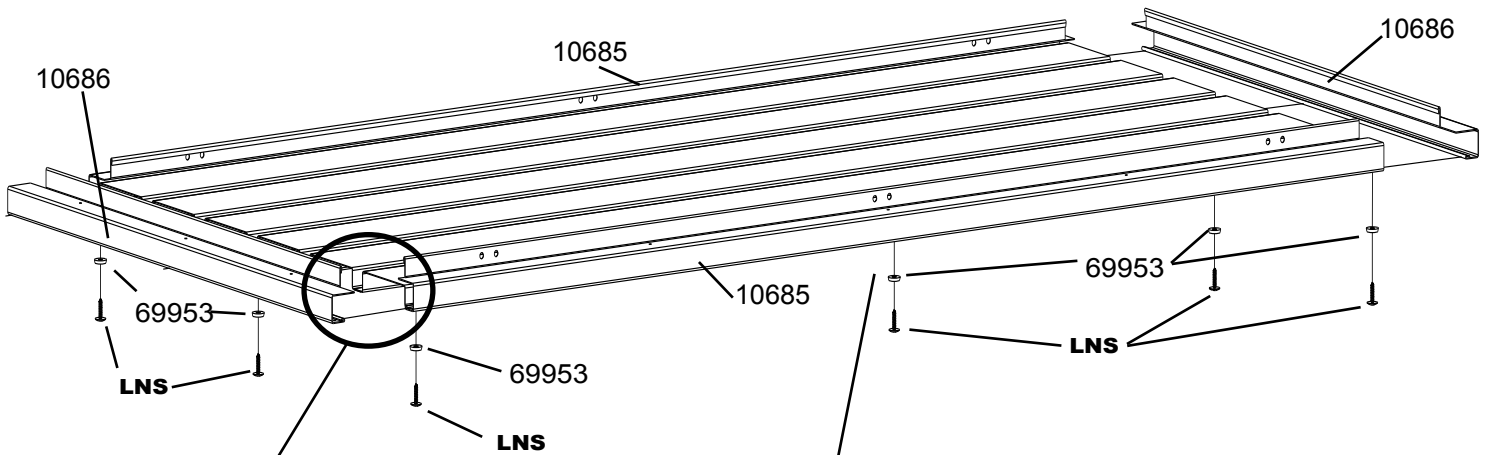


1 Assemble the Floor as shown and secure with four (4) **Small Bolts and Nuts** and one (1) **Small Flat Head Bolt and Nut** in between middle Floor Section. Add a **Plastic Foot** to the **Small Flat head Bolt** when attaching middle Floor Sections together. **DO NOT TIGHTEN BOLTS AT THIS TIME.**



NOTE Do not tighten **Small Bolts** until after **Floor** is square.

2 Slide the **Front and Rear Floor Channels** and **Side Floor Channels** onto the **Floor** as shown. Secure using eight (8) **Long Screws** where holes align. At each **Screw** attach a **Plastic Foot**. **Screws** must enter from bottom.



The **Floor** should be aligned with the **Front and Rear Floor Channels** as shown to the left.

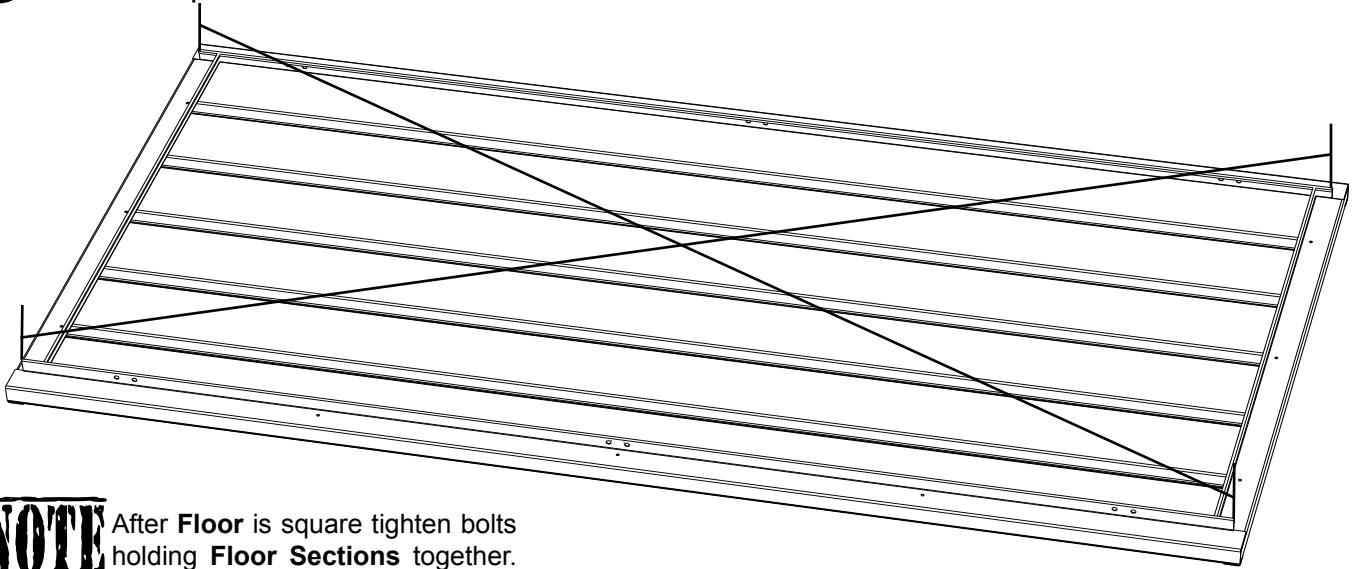
Step 2

You will need for this page:



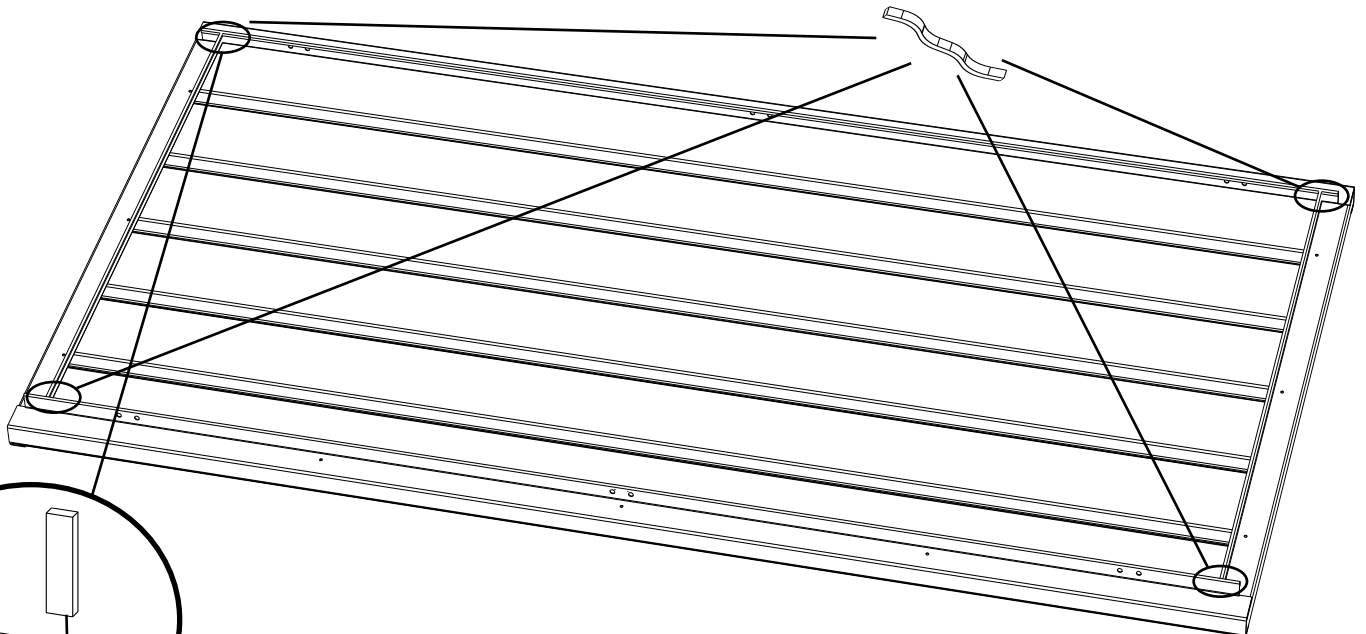
IMPORTANT: IF STORAGE UNIT IS NOT SQUARE, LID WILL NOT CLOSE PROPERLY!

- 1** Once **Floor** is complete, measure diagonally. When the diagonal measurements are equal, the **Floor** is square.



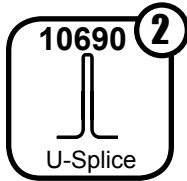
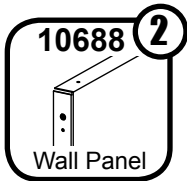
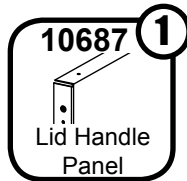
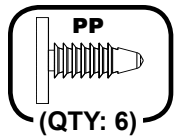
NOTE After **Floor** is square tighten bolts holding **Floor Sections** together.

- 2** Seal corners of **Floor** with **Foam Tape**. Cut four (4) 1" (2,5 cm) strips to place between **Floor Channels** at the corners.

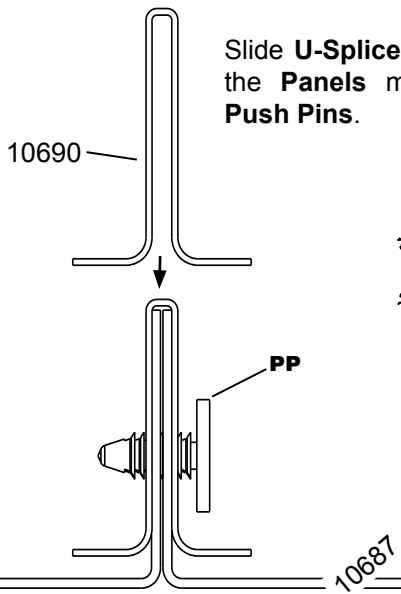
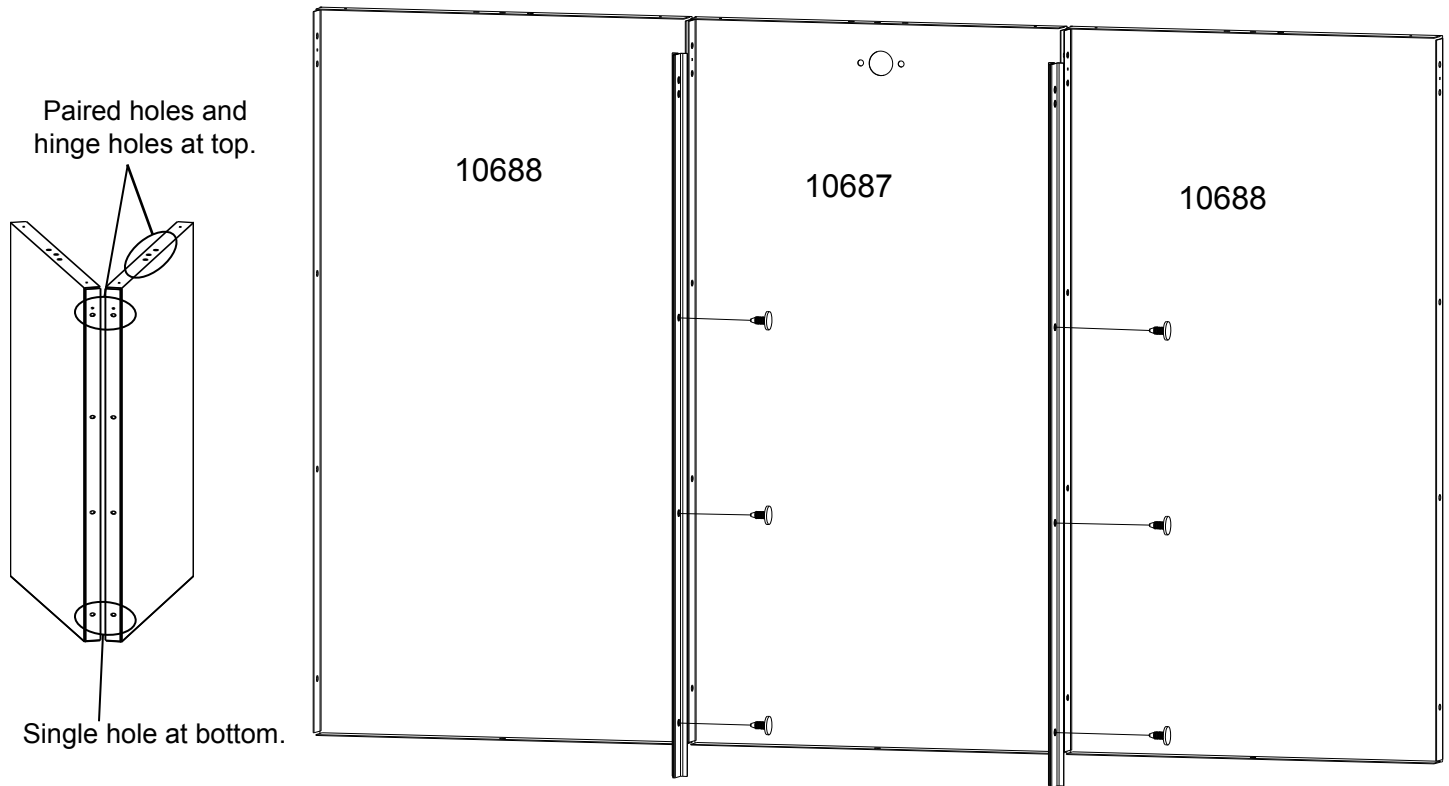


Step 3

You will need for this page:

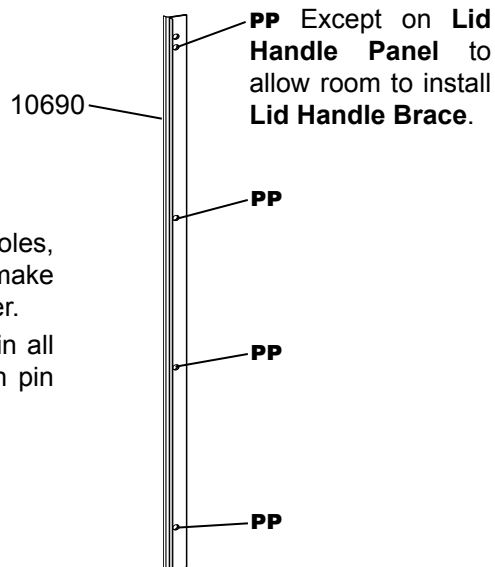


1 Pre-assemble **Front Panels** together using two (2) **U-Splices** and six (6) **Push Pins** leaving the top paired hole vacant. These holes will be used to attach the **Lid Handle Brace** in a later step.



Slide **U-Splice** over the **Panels** where the **Panels** meet and secure using **Push Pins**.

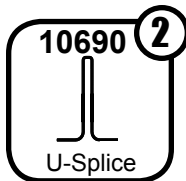
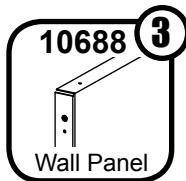
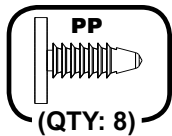
NOTE To help with aligning holes, use an awl. This will make inserting push pins easier. If push pins will not go in all the way, lightly tap push pin with a hammer.



PP Except on **Lid Handle Panel** to allow room to install **Lid Handle Brace**.

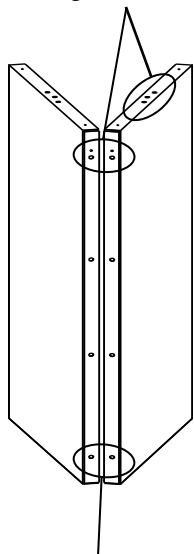
Step 4

You will need for this page:

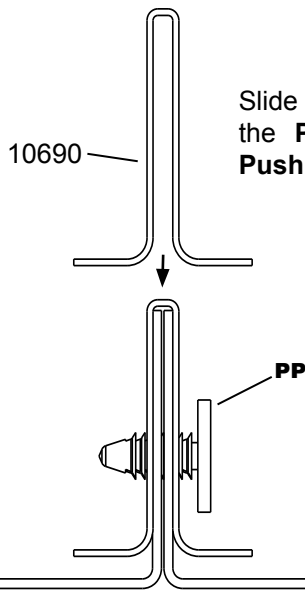
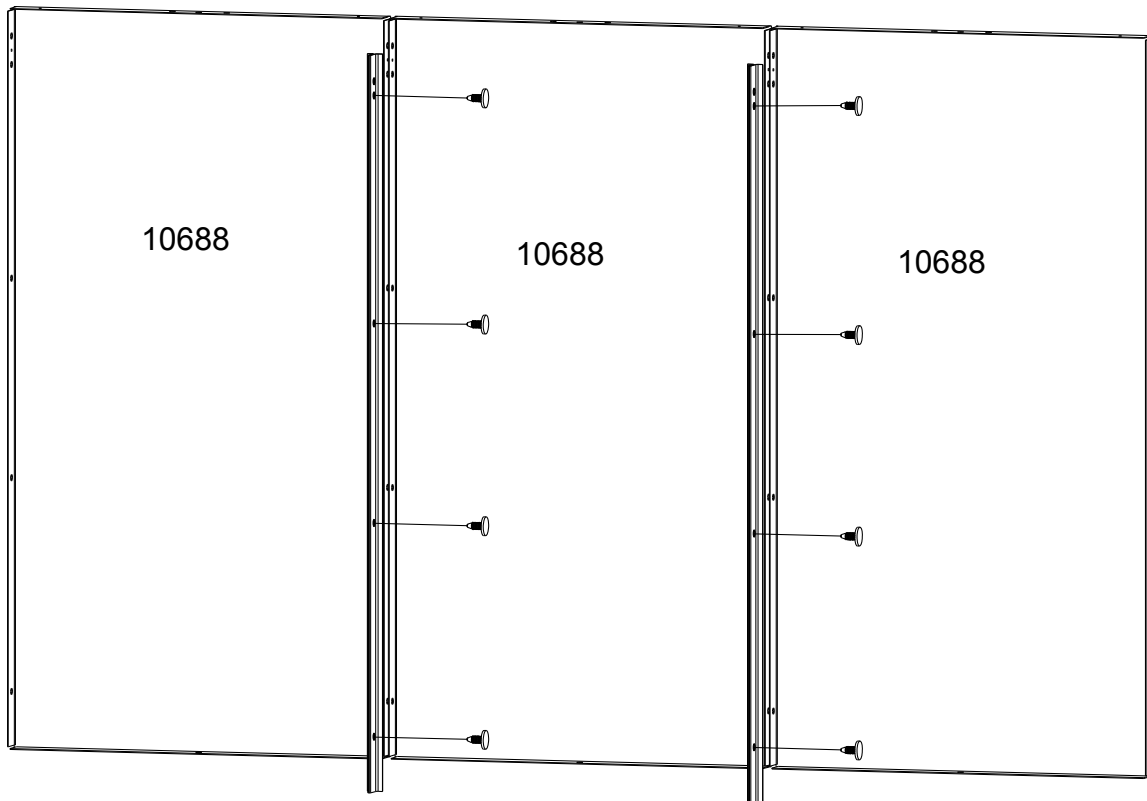


1 Pre-assemble **Back Panels** together using two (2) **U-Splices** and eight (8) **Push Pins**.

Paired holes and hinge holes at top.



Single hole at bottom.

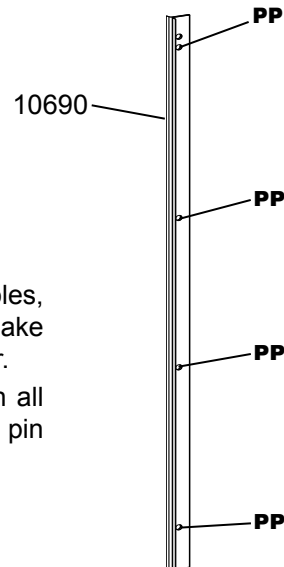


Slide **U-Splice** over the **Panels** where the **Panels** meet and secure using **Push Pins**.

NOTE

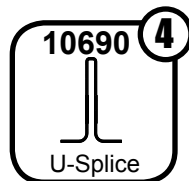
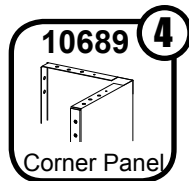
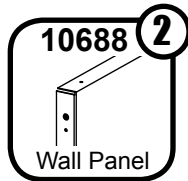
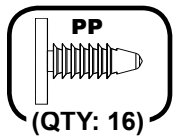
To help with aligning holes, use an awl. This will make inserting push pins easier.

If push pins will not go in all the way, lightly tap push pin with a hammer.



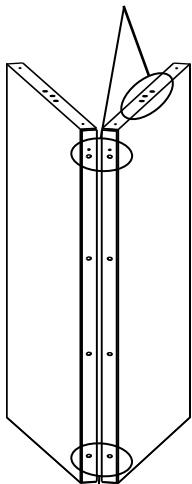
Step 5

You will need for this page:

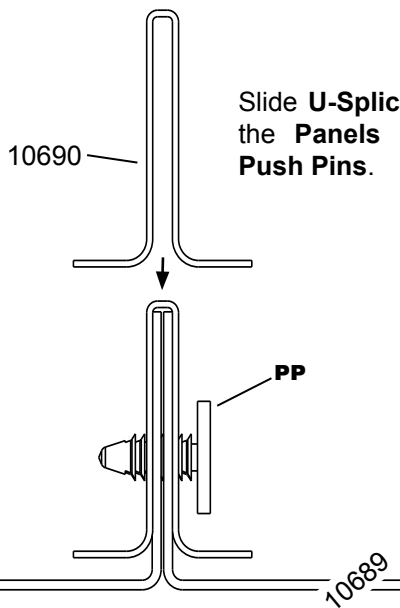
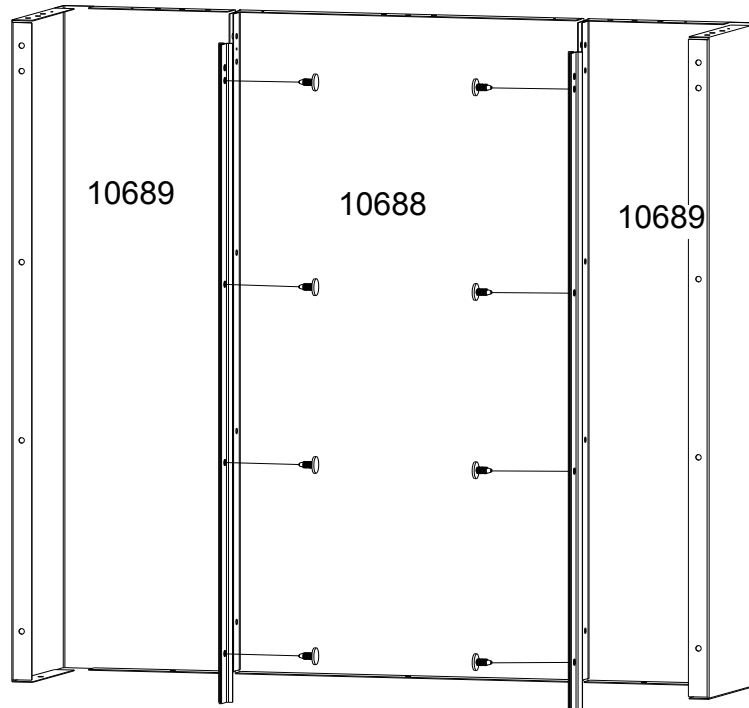


1 Pre-assemble **Side Panels** together using two (2) **U-Splices** and eight (8) **Push Pins**. Make two (2) assemblies.

Paired holes and hinge holes at top.



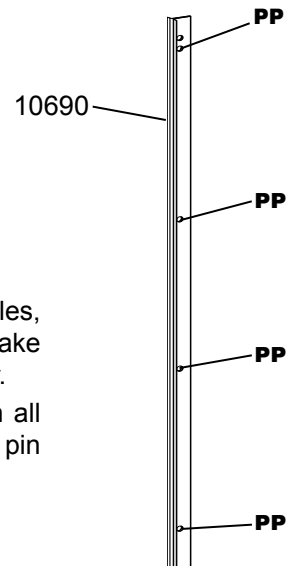
Single hole at bottom.



Slide **U-Splice** over the **Panels** where the **Panels** meet and secure using **Push Pins**.

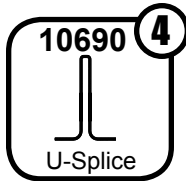
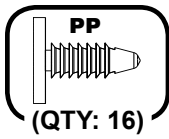
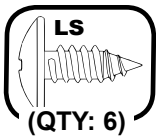
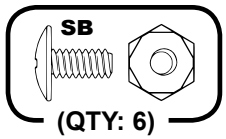
NOTE

To help with aligning holes, use an awl. This will make inserting push pins easier. If push pins will not go in all the way, lightly tap push pin with a hammer.



Step 6

You will need for this page:

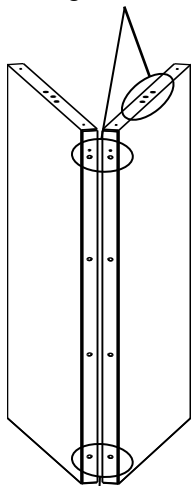


Assemblies from steps 3,4,&5:

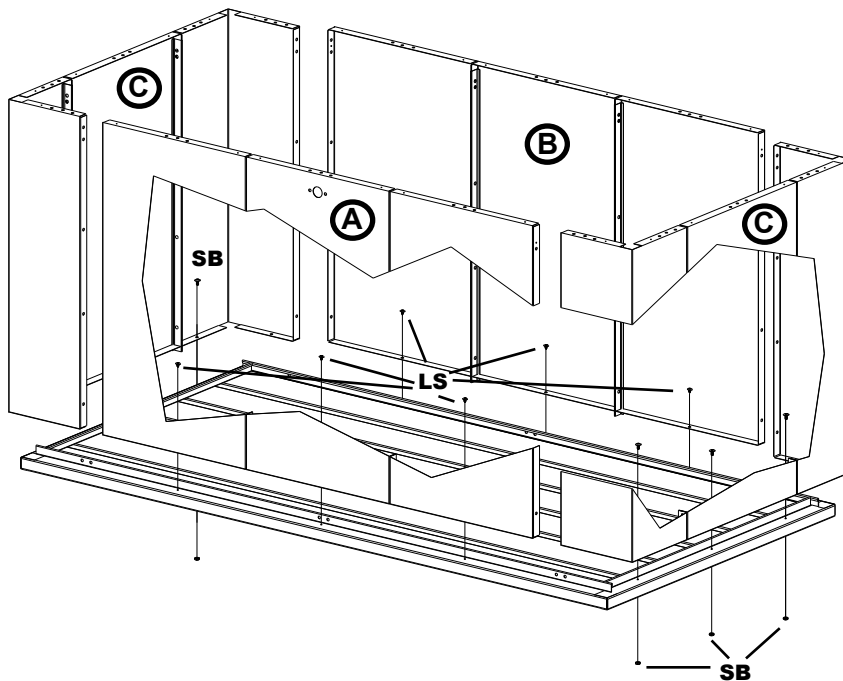
- **(A)** Front Panel Assembly (1)
- **(B)** Back Panel Assembly (1)
- **(C)** Side Panel Assembly (2)

1 Position each **Panel Assembly** as shown and secure to the **Floor** with one (1) **Large Screw** in the bottom leg of each Front and Rear **Panel** and **Small Bolt** in each Side **Panel**.

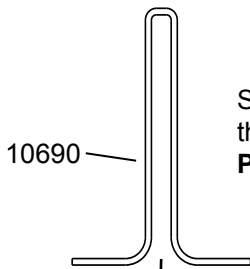
Paired holes and hinge holes at top.



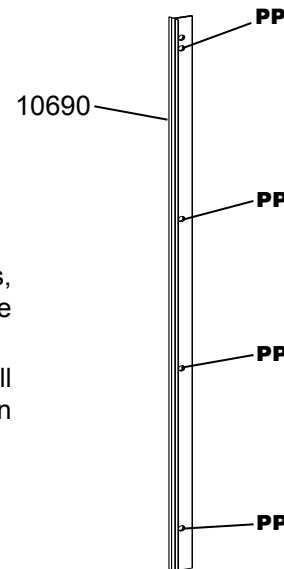
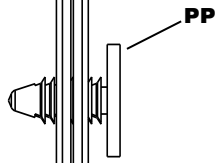
Single hole at bottom.



2 Secure **Panel Assemblies** together using four (4) **U-Splice** and sixteen (16) **Push Pins**.



Slide **U-Splice** over the **Panels** where the **Panels** meet and secure using **Push Pins**.



NOTE

To help with aligning holes, use an awl. This will make inserting push pins easier.

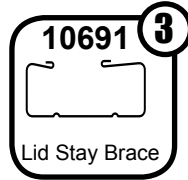
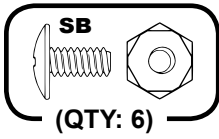
If push pins will not go in all the way, lightly tap push pin with a hammer.

10688

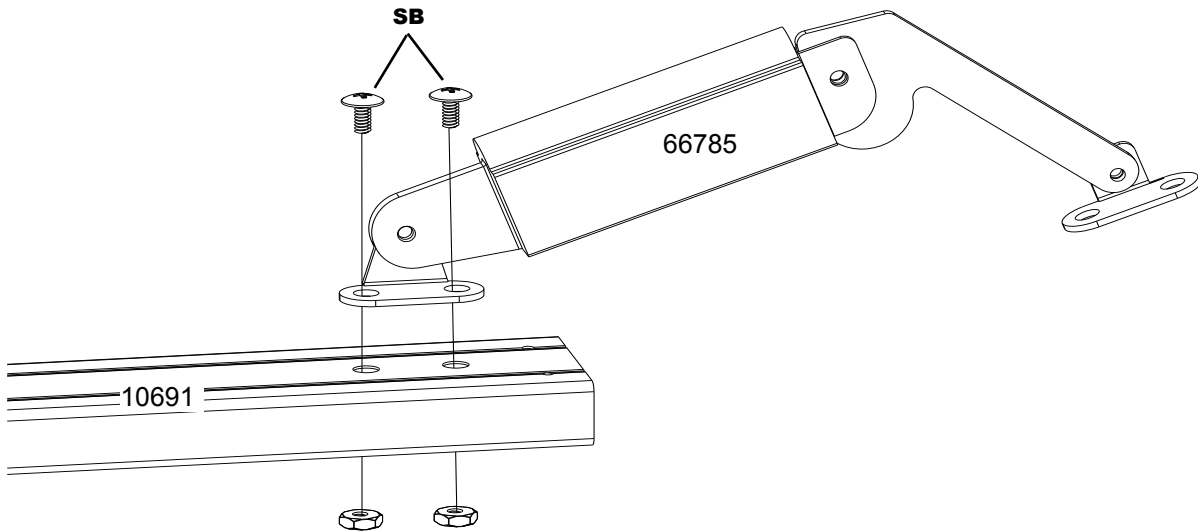
10687

Step 7

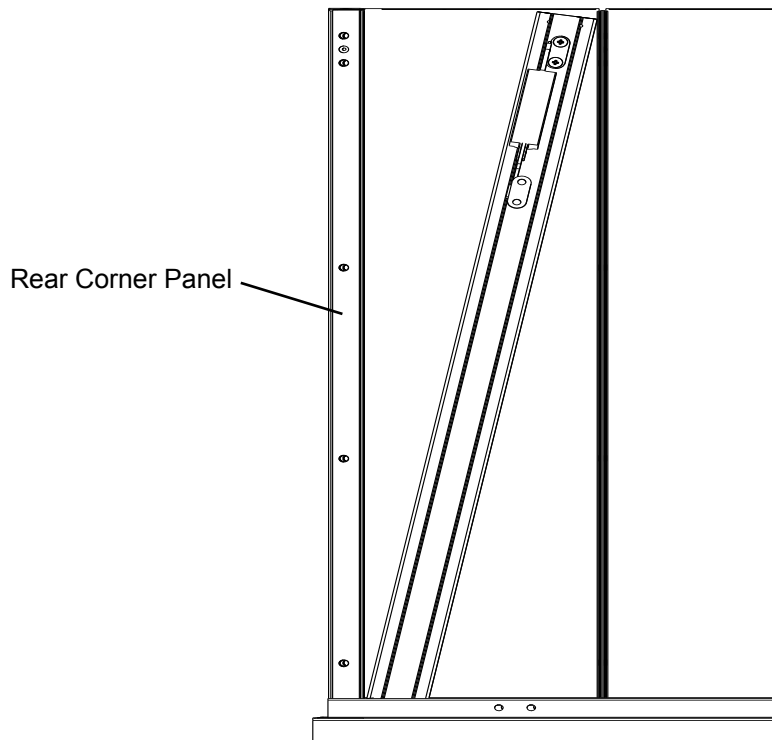
You will need for this page:



- 1 Pre-assemble the **Lid Stay** to the **Lid Stay Brace** using two (2) **Small Bolts** and **Nuts**. Make three (3) assemblies.

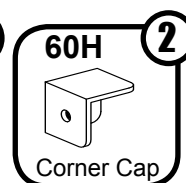
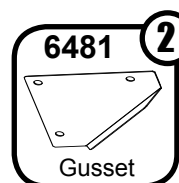
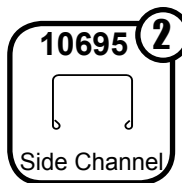
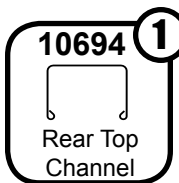
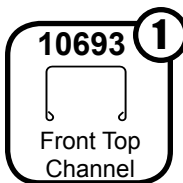
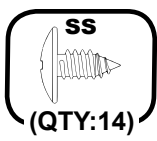
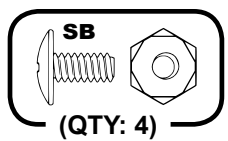


- 2 Place the two (2) outside **Lid Stay/Brace Assemblies** into **Back Corner Panel**. **DO NOT** install, just set in place as shown and set third assembly aside for now.



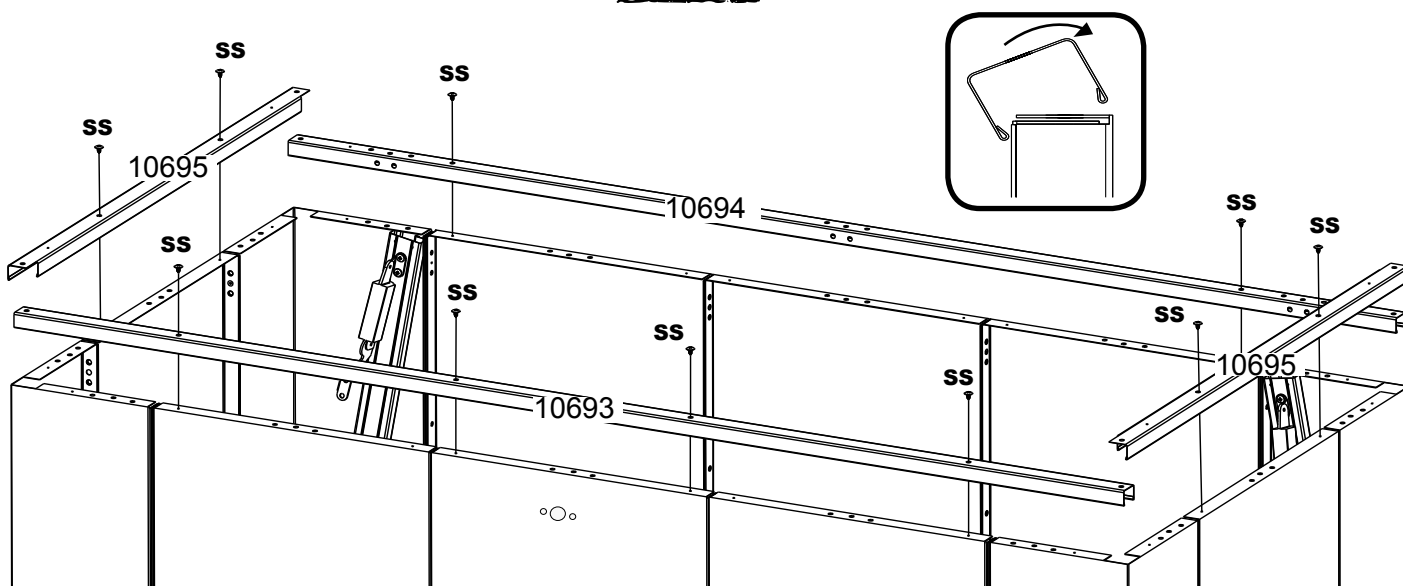
Step 8

You will need for this page:

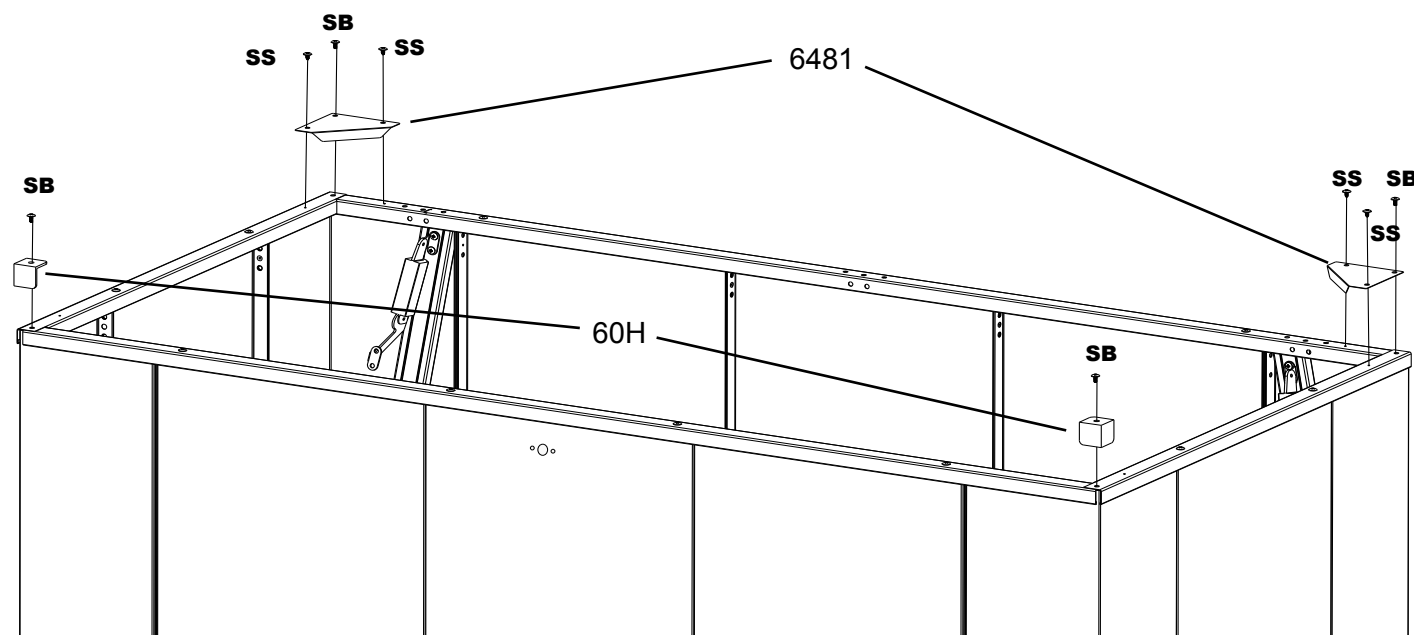


- ① First install top channels starting with **Front and Rear Channels**, then install **Side Channels** using ten (10) **Small Screws**.

NOTE When installing top channels, start on inside lip of wall panels then rotate to the outside.

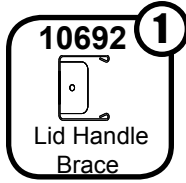
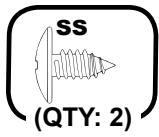


- ② Install **Corner Caps** on front corners using two (2) **Small Bolts**. Install **Gussets** on back corners using four (4) **Small Screws** and two (2) **Small Bolts**.

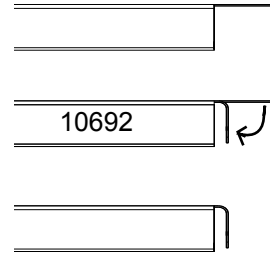


Step 9

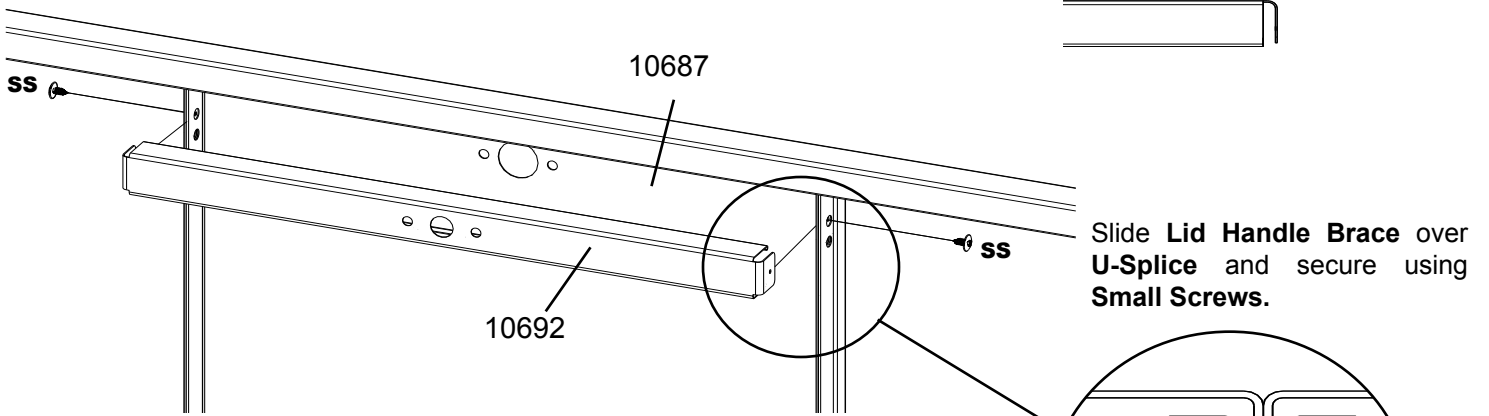
You will need for this page:



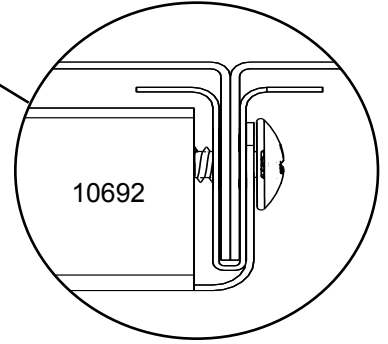
NOTE Bend end flaps down as shown before installation.



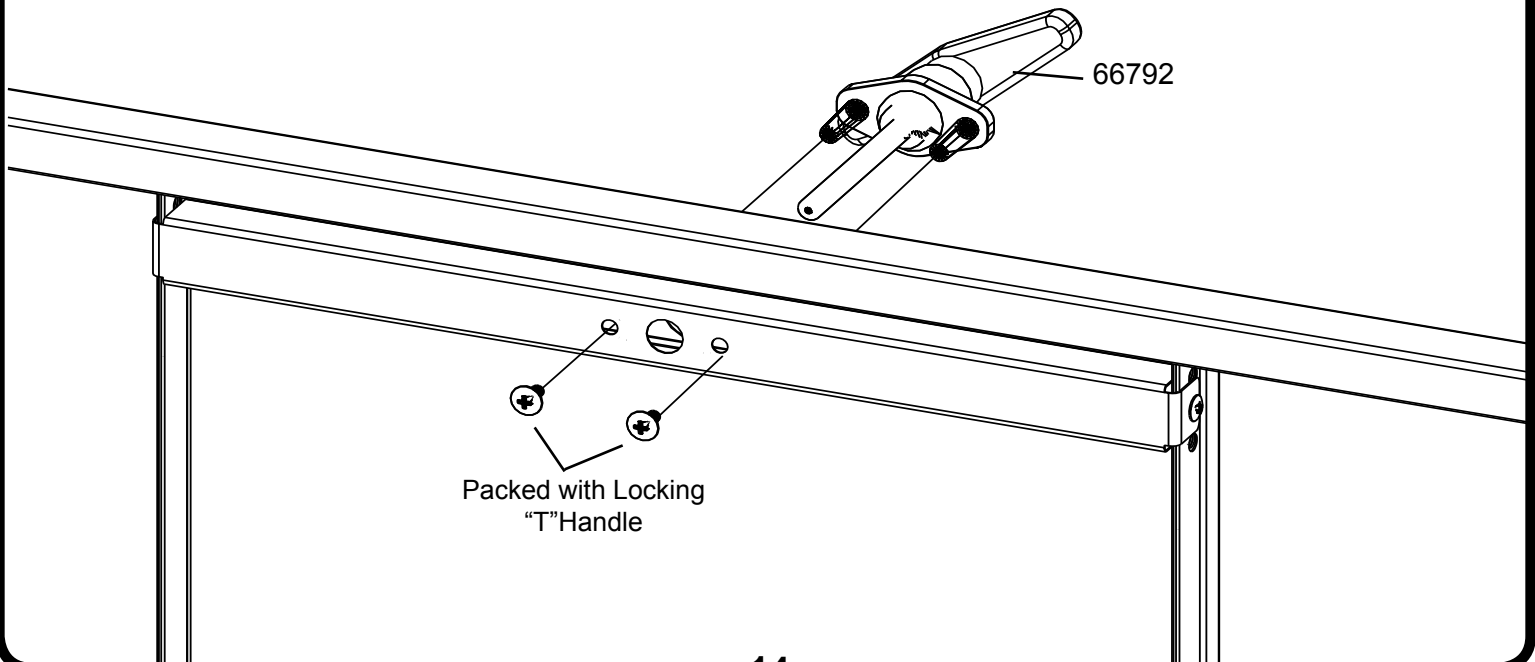
1 Install Lid Handle Brace to Lid Handle Panel as shown using two (2) Small Screws.



Slide Lid Handle Brace over U-Splice and secure using Small Screws.



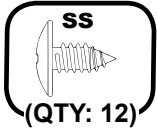
2 Install Locking T-Handle using two (2) Long Bolts which are packed with Locking T-Handle.



Packed with Locking "T" Handle

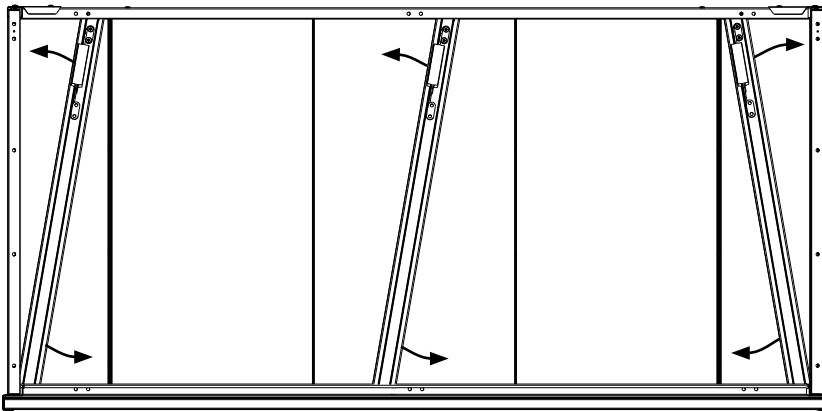
Step 10

You will need for this page:



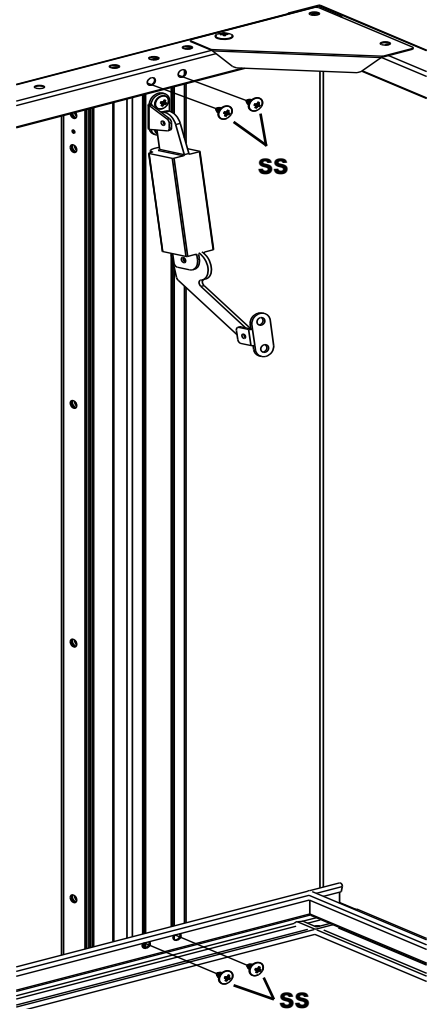
• Lid Stay/Brace Assemblies (3)

- 1 Install three (3) **Lid Stay/Brace Assemblies** into the back panels by angling them into place; one in each **Back Corner Panel** and one in **Middle Panel**.



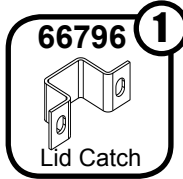
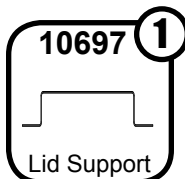
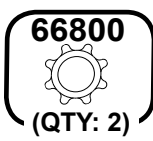
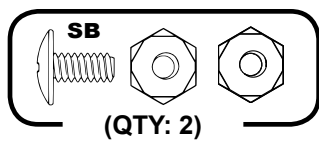
- 2 Secure each **Lid Stay/Brace Assembly** using four (4) **Small Screws**. Two on top and two on bottom of brace.

NOTE First attach bottom of **Lid Stay/Brace Assembly**, then attach top of the **Lid Stay/Brace Assembly**.

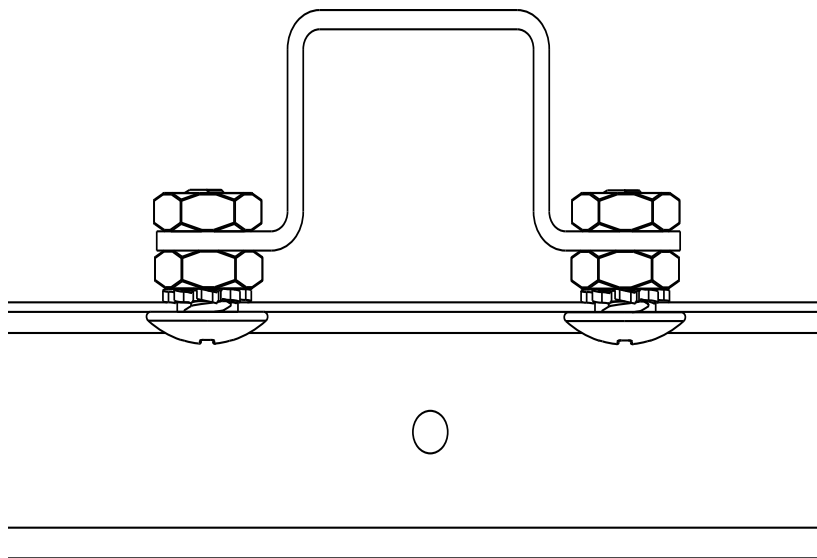
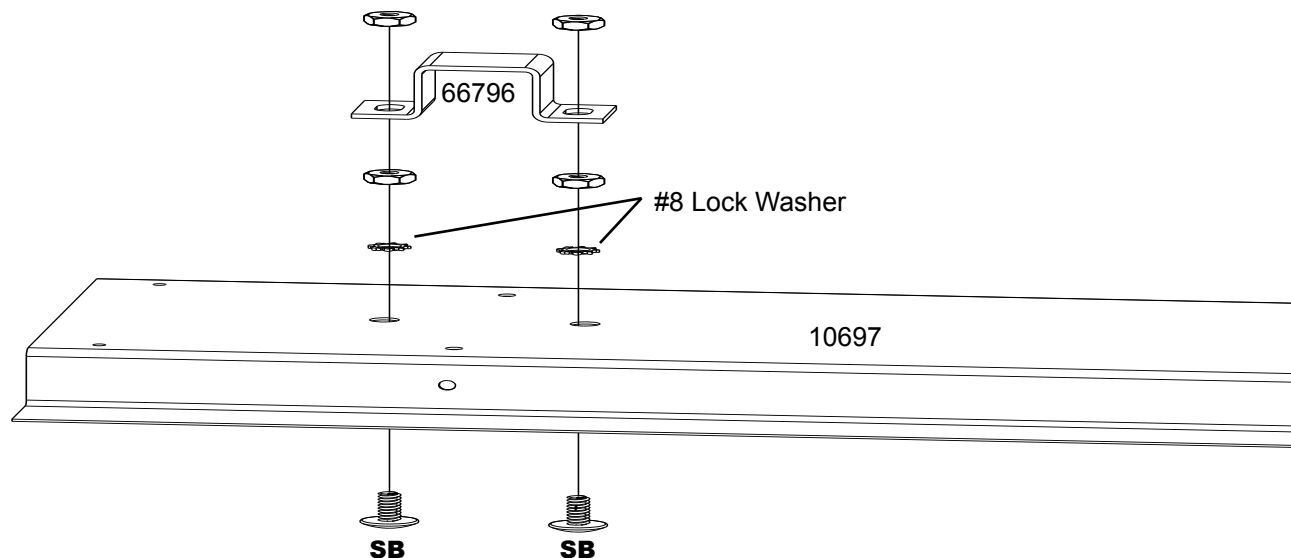


Step 11

You will need for this page:



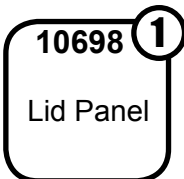
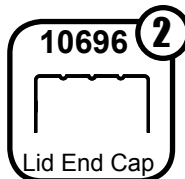
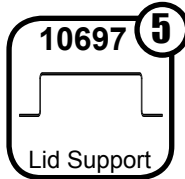
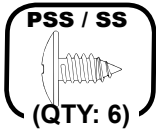
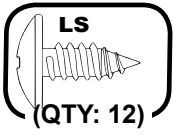
- 1** For the middle **Lid Support** attach the **Lid Catch** using two (2) **Small Bolts**, **Lock Washer**, and four (4) **Nuts**.



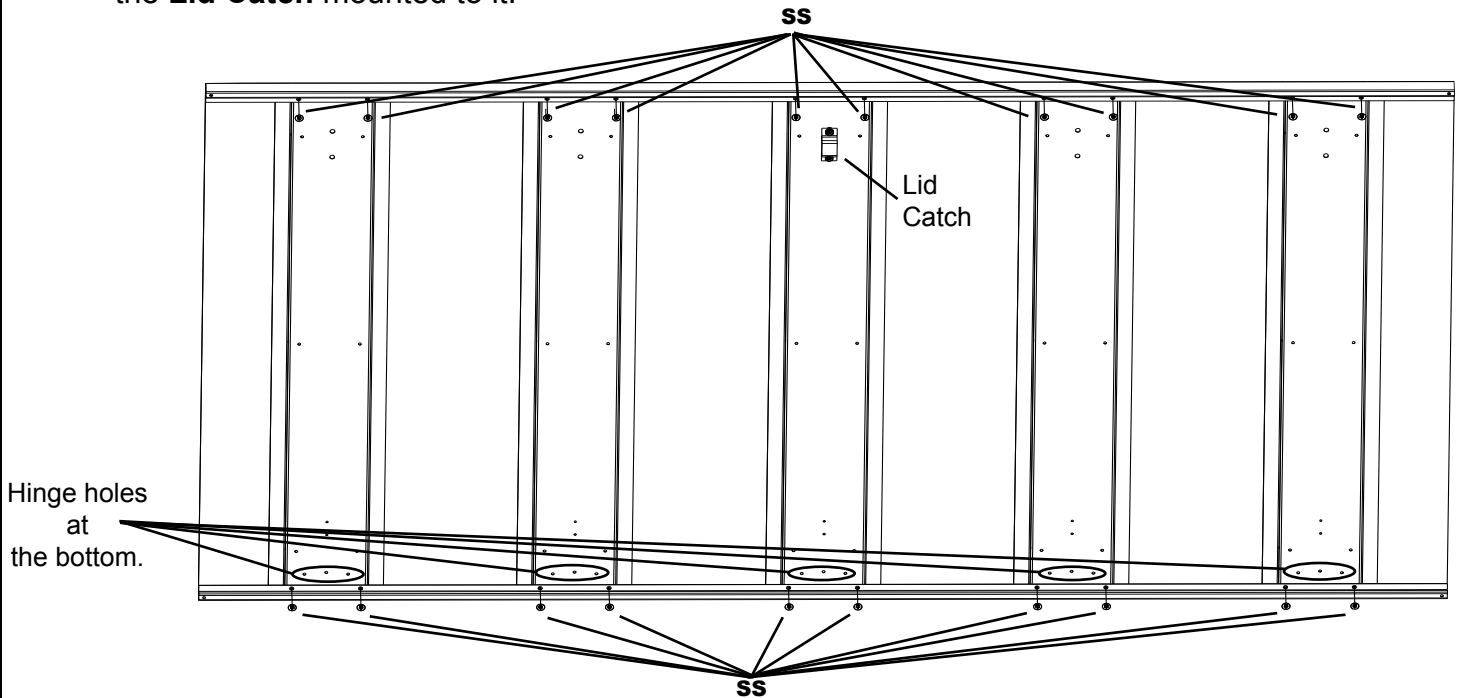
NOTE Loosen top nut to adjust fit between Latch and Lid Catch.

Step 12

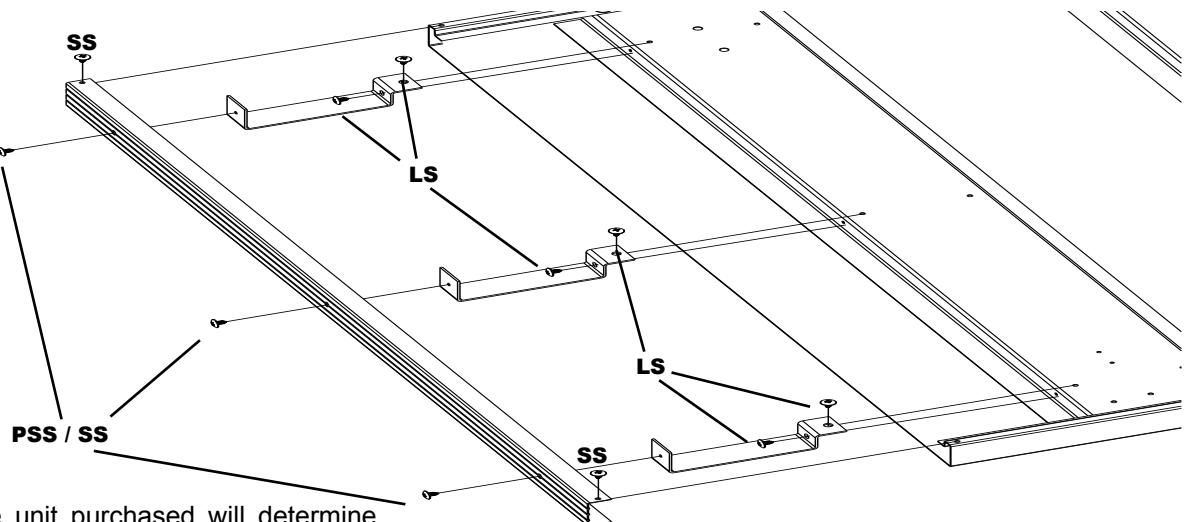
You will need for this page:



- 1** Start lid assembly by attaching five (5) **Lid Supports** to the **Lid Panel** using twenty (20) **Small Screws**. Make sure all **Lid Supports** are facing the same way with middle **Lid Support** having the **Lid Catch** mounted to it.



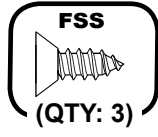
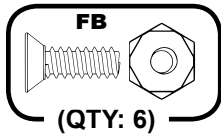
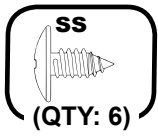
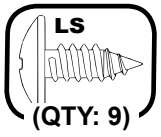
- 2** Attach the **Lid End Caps** and **End Cap Straps** to the **Lid Panel** using twelve (12) **Large Screws**, four (4) **Small Screws**, and six (6) **Painted/Unpainted Small Screws**.



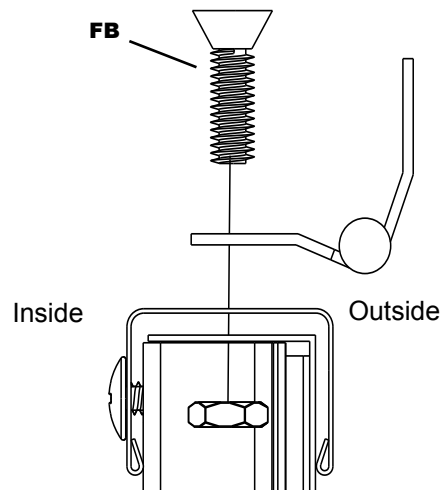
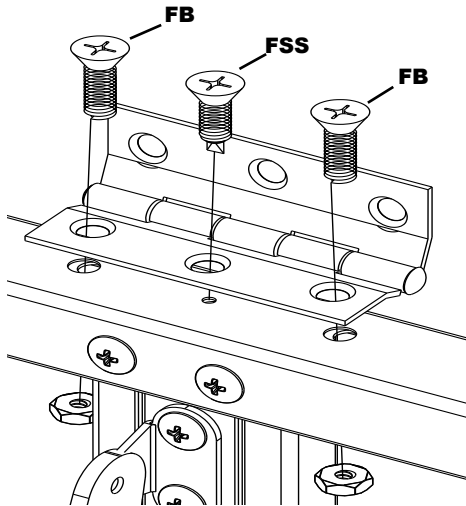
Depending on storage unit purchased will determine on whether Painted Small Screw or Unpainted Small Screws will be used.

Step 13

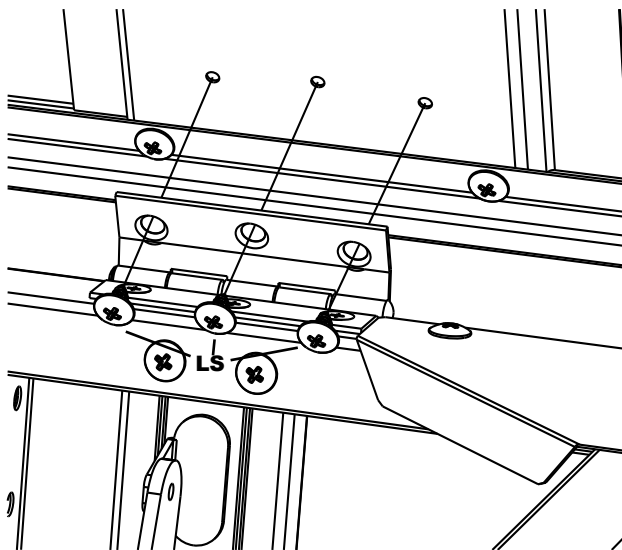
You will need for this page:



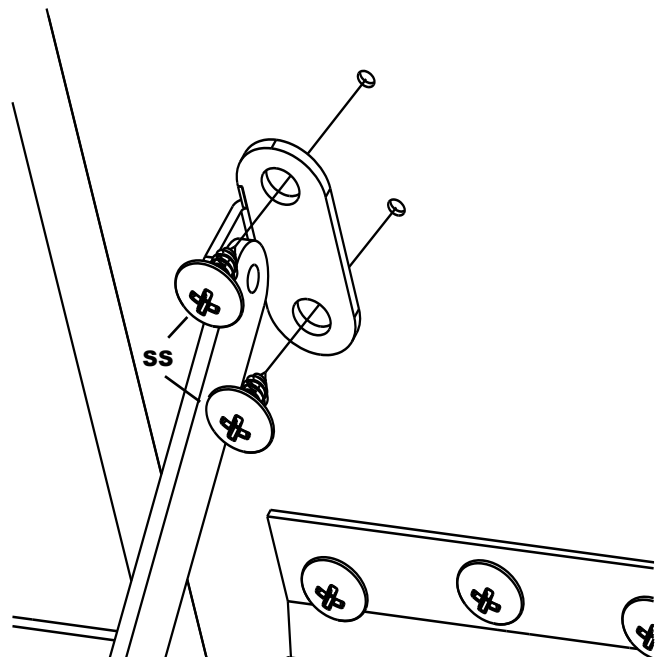
- 1** Install three (3) Hinges using six (6) Flat Head Bolts and three (3) Flat Head Self Tapping Screws.



- 2** Secure lid to base by attaching all three (3) Hinges to lid using nine (9) Large Screws.

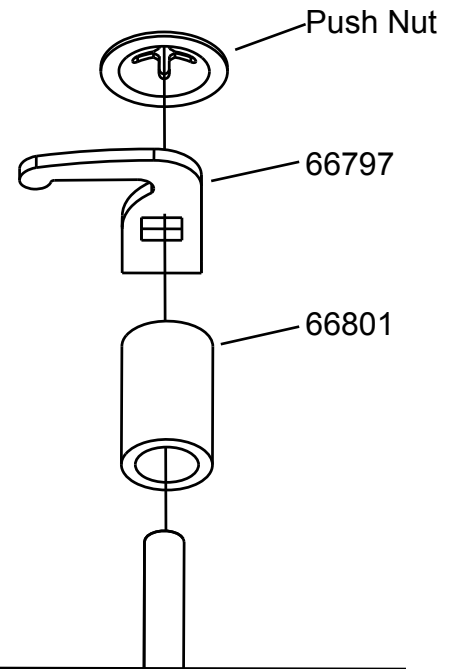
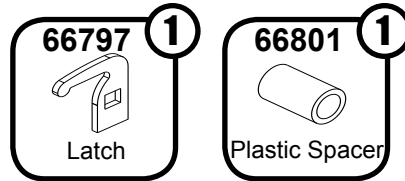


- 3** Attach the three (3) Lid Stays to the Lid using six (6) Small Screws.



Step 14

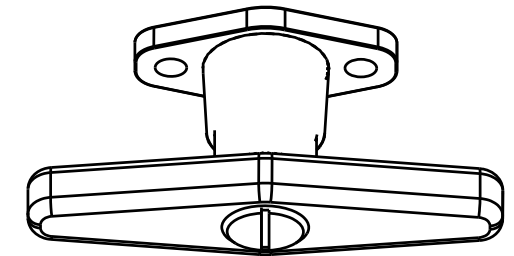
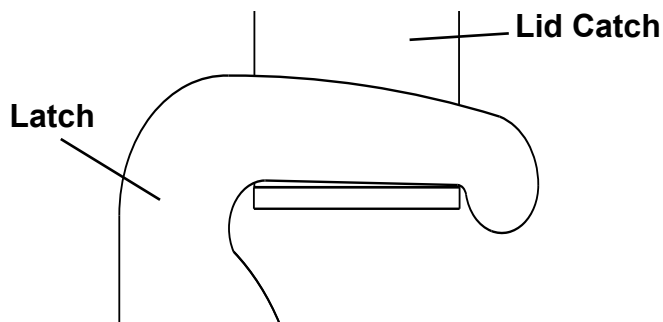
You will need for this page:



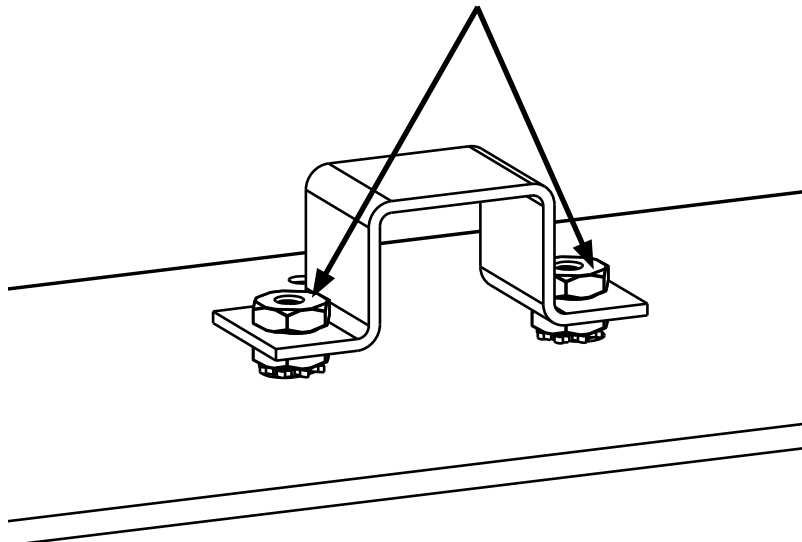
- 1** Install **Latch** and **Plastic Spacer** to the inside of the **Locking T-Handle**. Secure with **Push Nut** found in the **Locking T-handle** packaging.

NOTE Pay careful attention to position of **Latch**.

- 2** Adjust **Lid Catch** as needed to ensure **Latch** completely locks into place as shown below.



NOTE Loosen top nut to adjust fit between **Latch** and **Lid Catch**.



CARE & MAINTENANCE...

Exterior Care:

For a long lasting finish clean and wax the exterior surface. We recommend washing with a mild soap solution. **DO NOT** use power washing to clean your storage unit. Using a spray automotive type wax periodically on the exterior is highly recommended if you are in a high humidity or coastal climate region.

Combustibles must be stored in air tight containers designed for combustible storage.

NOT RECOMMENDED FOR STORAGE OF CORROSIVE CHEMICALS OR PRODUCTS

Rust protection precautions may help to stop rust from developing, or stop it quickly as soon as it appears.

- Avoid nicking or scraping the coating surface, inside and out.
- Keep storage unit free of debris and leaves which may accumulate and retain moisture. These can do double damage since they give off acid as they decay.
- Touch up scrapes or nicks and any area of visible rust as soon as possible. Make sure the surface is free of moisture, oils, dirt or grime and then apply an even film of high quality touch-up paint.
- Various paint manufacturers provide products for rust treatment and coverage. If surface rust does appear on your storage unit we recommend treating those areas as soon as possible, following the paint supplier of your choice instructions.
- Our customer service department can provide the paint tinting formula for matching the color of your storage unit. We also have touch-up paint available for repairing small nicks and scratches.

Fasteners:

Use all washers supplied to protect against weather infiltration and to protect the metal from being scratched by the screws. Regularly check screws, bolts, nuts, etc., and retighten as necessary.

General:

- Wash off inked part numbers on coated panels with soap and water.
- Silicone caulking may be used for watertight seals throughout the storage unit.

Please note, Manufacturer cannot be held responsible for any consequences due to storage units that are not installed per these instructions, or for damage due to weather conditions or acts of God.

Keep these assembly instructions and owner's manual for future reference.