

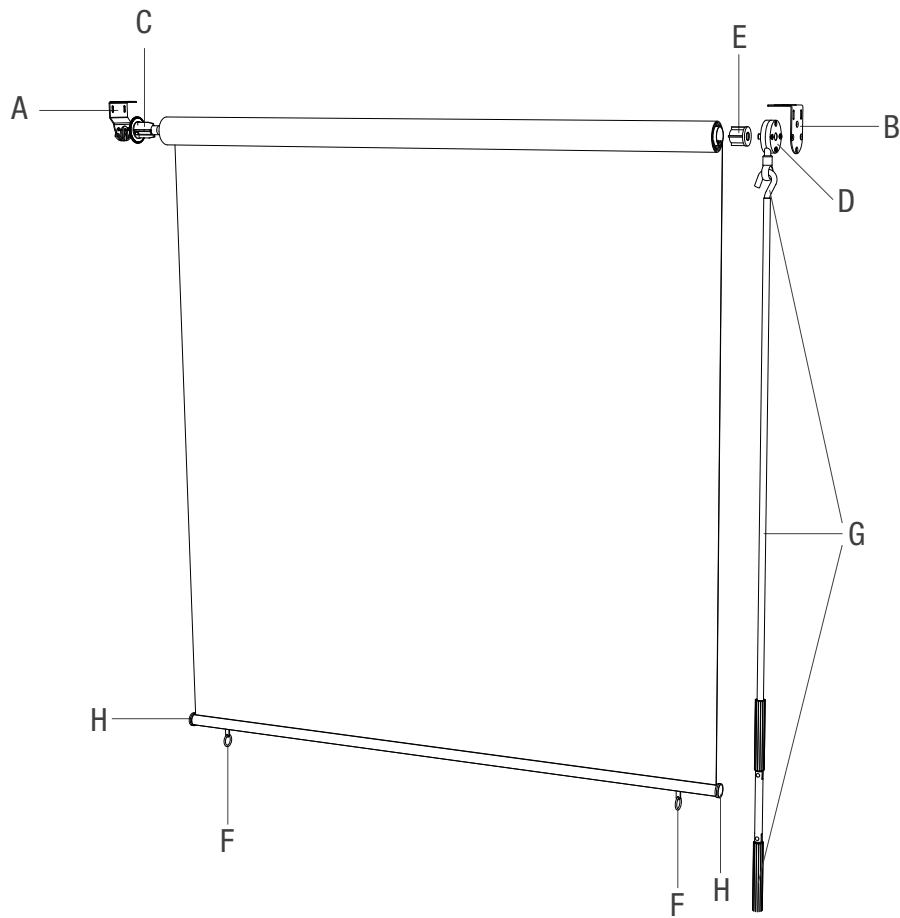
# SUN SHADE

## CORDLESS WITH CRANK INSTALLATION INSTRUCTIONS



Dear customer:

The product you have purchased has been engineered and manufactured to the highest standards of quality and performance. Please read the instruction sheet carefully before installing your new shade.



### Hardware Contents:

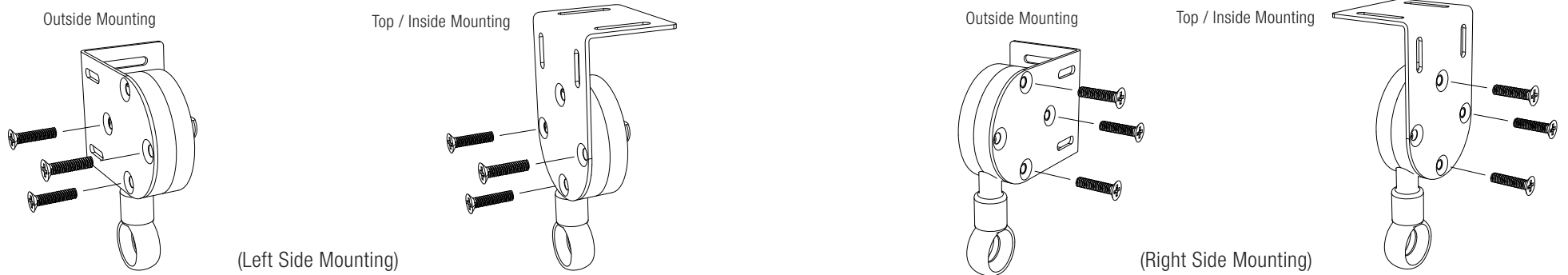
<b>A</b>  (1) Pin Wheel Bracket	<b>B</b>  (1) Crank Bracket	<b>C</b>  (1) Pin Wheel	<b>D</b>  (1) Crank Device	<b>E</b>  (1) Crank Rail Connector	<b>F</b>  (2) Wind Tie Downs
<b>G</b>  (1) Crank Handle					
<b>H</b>  (2) Bottom Rail Caps	<b>I</b>  Machine Screws (3) 4 x 18mm	<b>J</b>  Wood Screws (4) 3.5 x 25mm	<b>K</b>  Wall Plugs (4) 6mm Diameter	<b>NOTE:</b> Crank Device can be installed on the Right or Left Side of the Sun Shade Crank Handle on the Left: (Flip Crank Device and Bracket to the Left side of the shade)	

### Tools Needed:



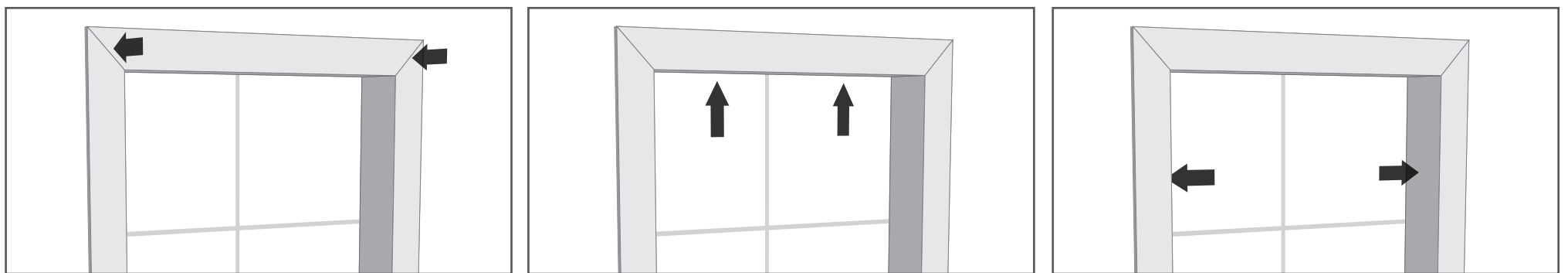
## Step 1

Connecting the Crank Device (D) to the Crank Bracket (B) with Machine Screws (I).  
(If desired handle position is on the left please see image below)



## Step 2

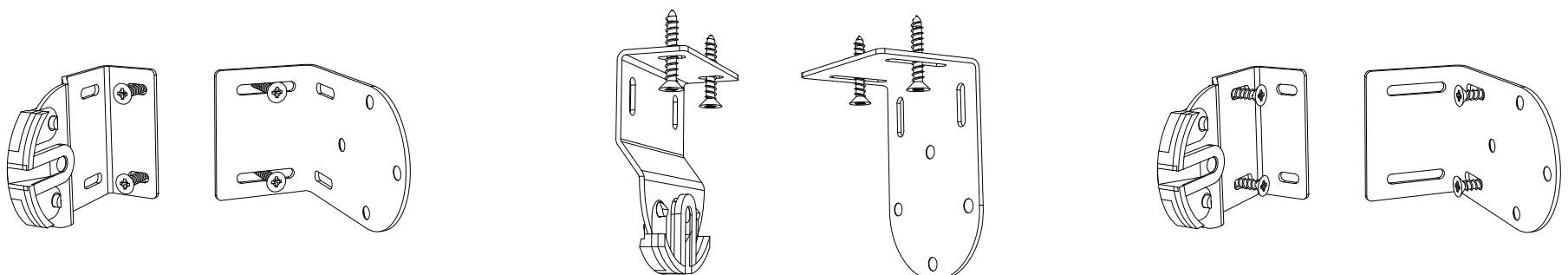
Measure Bracket Placement to desired mounting location, mark holes on each bracket with a pencil.



a). Outside  
Mounting to the face or outside of the window frame.

b). Top  
Mounting overhead to a surface such as the top inside of the window frame or the ceiling.

c). Inside  
Mounting to the inside or between the sides of the window.



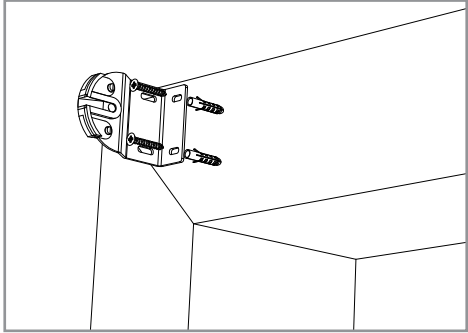
# SUN SHADE

## CORDLESS WITH CRANK INSTALLATION INSTRUCTIONS

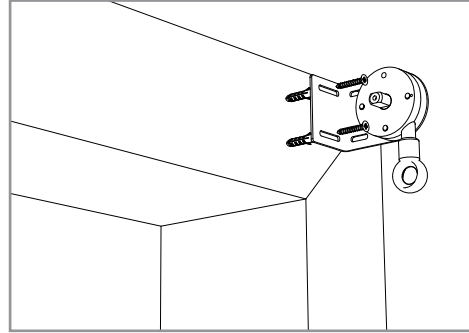


### Step 3

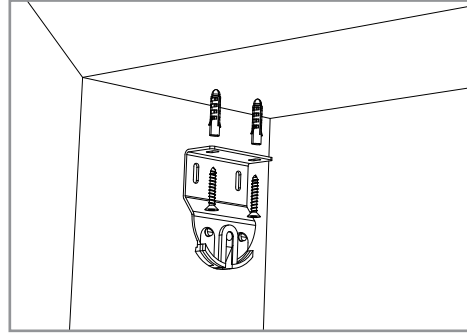
Installing Brackets. (Use Wall Plugs (K) only if you are installing into drywall)



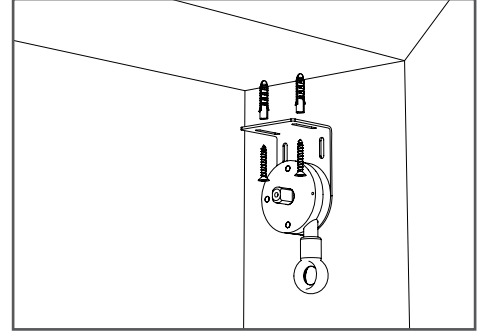
Outside Mounting Pin Wheel Bracket (A).



Outside Mounting Crank Bracket (B).



Top Mounting Pin Wheel Bracket (A).  
(Flip screws 90° to mount inside).

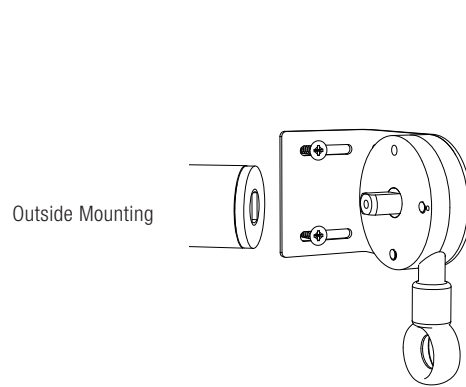


Top Mounting Pin Wheel Bracket (B).  
(Flip screws 90° to mount inside).

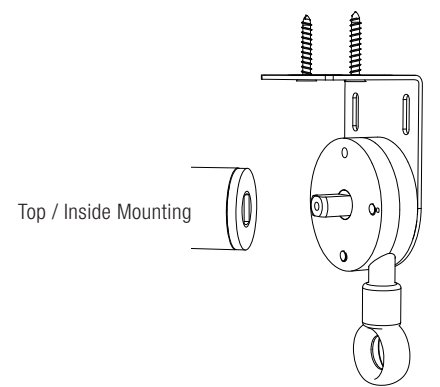
### Step 4

Securing Sun Shade to the Crank Bracket (B).

Insert headrail, Crank Rail Connector (E) side, into the Crank Device (D).



Outside Mounting

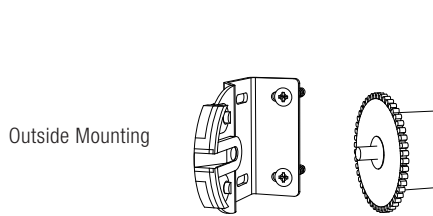


Top / Inside Mounting

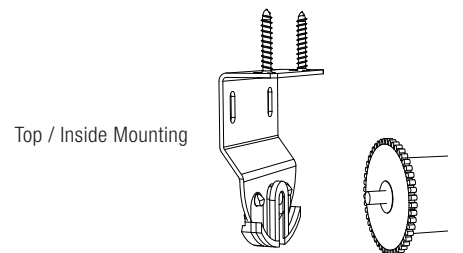
### Step 5

Securing Sun Shade to the Pin Wheel Bracket (A).

Insert headrail, Pin Wheel (C) side, into the Pin Wheel Bracket (A).



Outside Mounting

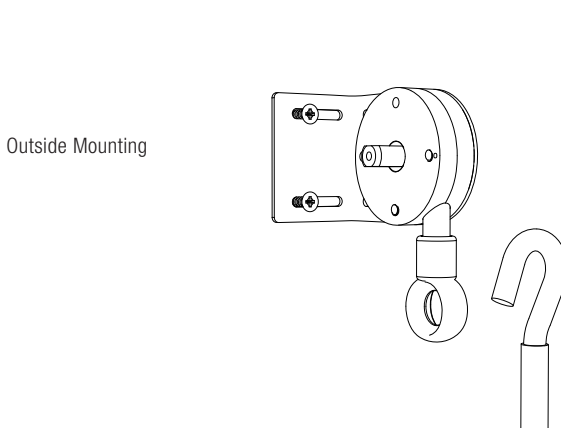


Top / Inside Mounting

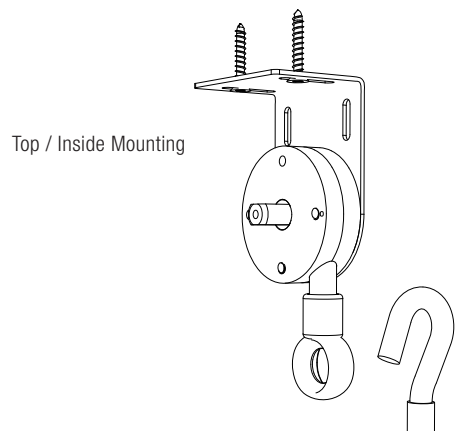
### Step 6

Attaching the Crank Handle (G) to the Crank Device (D).

Angle the Crank Handle (G) Head through the Crank Device (D) Hole.



Outside Mounting

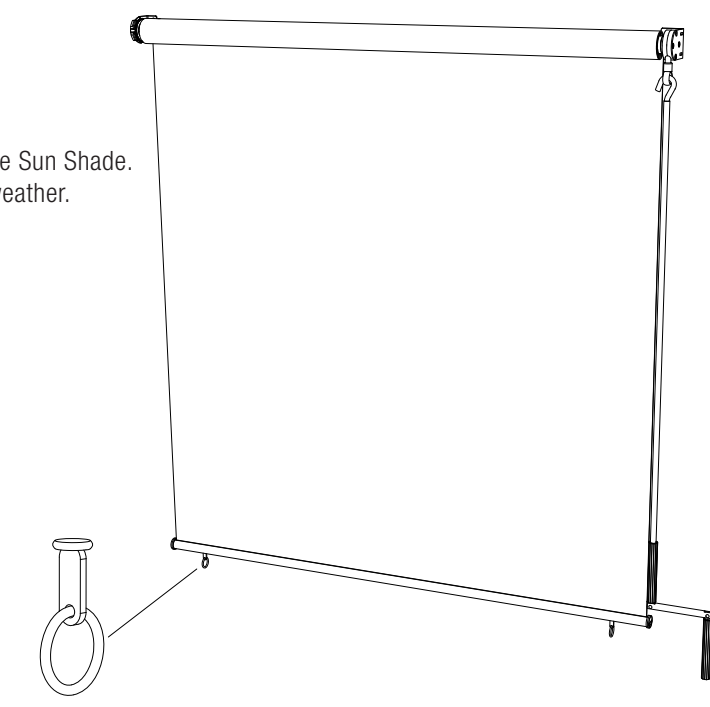
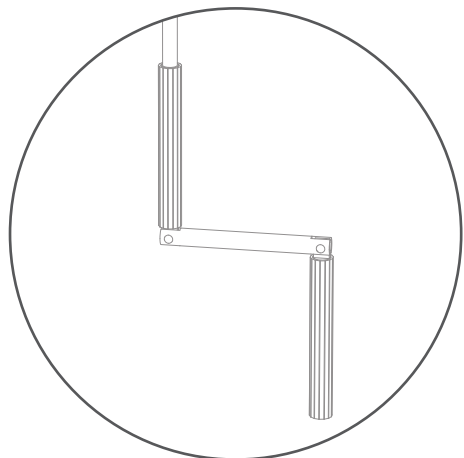


Top / Inside Mounting

### Step 7

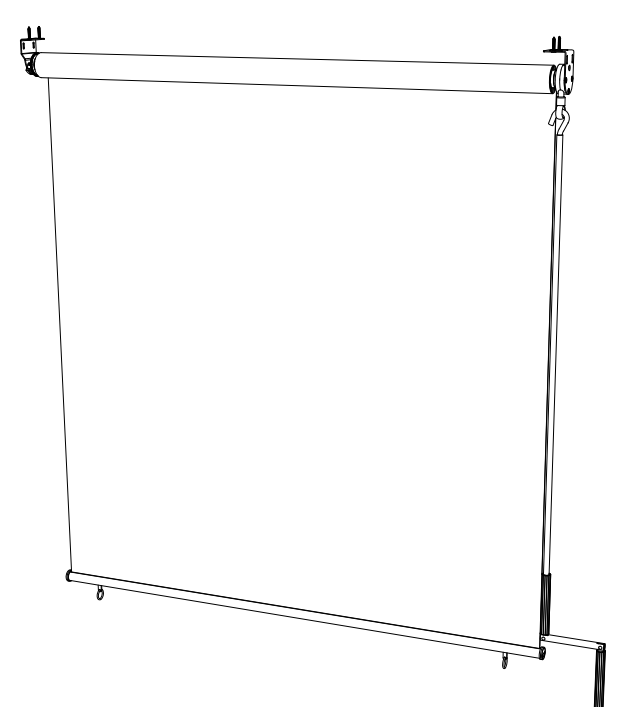
Fold Up the Crank Handle (G).

This allows easier range of motion raising and lowering the Sun Shade.  
Secure Wind Tie Down (F) for extra support in inclement weather.



Wind Tie Down

Outside Mounting



Top / Inside Mounting