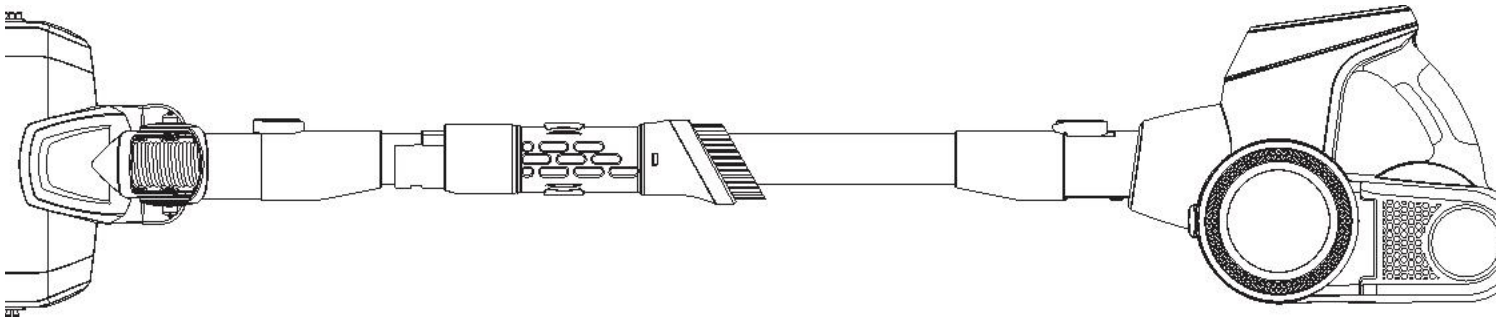


# **PROLUX FLIGHT BATTERY POWERED HANDHELD VACUUM CLEANER MODEL: FLIGHT-BP**

## **Operation Instruction**

**Read all instructions before using this appliance**



**(For your safety please read owners manual in its entirety before use.)**



**Congratulations on your purchase of your new Prolux Flight Handheld Vacuum! The Prolux Flight is the lightweight battery powered alternative for your cleaning needs! This highly compact, powerful, and easy to store vacuum frees you from the limitations of the standard corded vacuums. A bagless design also adds to the ease of cleaning your home. The multi surface Floor Nozzle with electric brushroll can be used in the upright setting to vacuum your hardwood floors, tile and carpet. Also the detachable handheld version is perfect for cleaning your vehicle and other hard to reach areas, which other vacuums are just not capable of. This high-end vacuum is designed with you in mind and has been built to last for many years to come.**

# Table of contents

<b>Specifications</b> .....	3
<b>Safety Precautions</b> .....	4-5
<b>Assembly/Operation</b>	
Getting To Know Your Vacuum .....	6
Operating Instructions .....	7-8
Using The Accessories & Tools .....	8-9
Charging the battery and battery care .....	10-11
Using your vacuum.....	11-12
<b>Maintenance</b>	
Emptying The Dust/Dirt Container .....	12
Changing/Cleaning The HEPA Filter .....	12-13
Cleaning The Housing .....	13
<b>Troubleshooting</b> .....	13-14
<b>Warranty</b> .....	14-15

## Specifications

- **Lightweight – Only weighs 6 lbs.**
- **Powerful, low maintenance motor – Quiet operation & dependable design.**
- **HEPA FILTRATION**
- **No power cord**
- **Powerful 22.2V, long lasting, Lithium-Ion battery that lasts up to 30 minutes per charge.**
- **Fast charging – Battery fully charges in 4.5 hours.**

## IMPORTANT SAFETY INSTRUCTIONS

When using an electrical appliance, basic precaution should always be followed, including the following:

### READ ALL INSTRUCTIONS IN THIS OPERATING MANUAL BEFORE USING THIS APPLIANCE.

Keep the operating manual for reference. Include the operating manual if you pass the appliance to third parties. **Violations of the operating instructions can lead to severe injuries as well as damages to the appliance.** Prolux takes no responsibility for damages due to violations of these operating instructions.

#### The Notices Given

Notices for your safety are especially marked. Always observe these notices to avoid any damages to the appliance.

**WARNING:** Warning concerning health hazards describing possible risks of injury.

**ATTENTION:** Warning concerning possible dangers to the appliance or other objects.

**NOTE:** Highlights tips for you.

**WARNING-**To reduce the risk of fire, electric shock, or injury:

1. Do not leave the vacuum cleaner when powered on or while battery is installed. Unplug from outlet or remove battery when not in use, and before servicing.
2. Use only as described in this manual. Use only the recommended attachments, battery, charger, and replacement parts.
3. To reduce the risk of electric shock, do not use outdoors, on wet surfaces, and do not use for wet pickup/cleanup.
4. Use only as described in this manual. Use only the manufactures recommend attachments.
5. Do not use with damaged batter, cord or plug. If vacuum cleaner is not working as it should, has been dropped, damaged, left outdoors, or dropped into water, take it to a service center before use.
6. Do not use the vacuum while it is charging.
7. Do not unplug the power charging cord from your wall by pulling on the cord. To unplug, grasp the end of the plug, not the cord.
8. Do not handle the power cord/plug, battery, or vacuum cleaner with wet hands.
9. Do not put any object into the openings of the vacuum. Do not use the vacuum with any openings blocked. Keep openings free of dust, lint, hair and anything that may reduce airflow.
- 10.Keep hair, loose clothing, fingers and all parts of body away from openings and moving parts of the vacuum.
- 11.Turn all controls off before unplugging the vacuum.
- 12.Use extra care when cleaning on stairs.
- 13.Do not use to pick up flammable or combustible liquids, such as gasoline, or use in areas where they may be present.
14. Do not allow end of power charging plug to whip when winding up the power cord.
- 15.Unplug the vacuum or vacuum battery before connecting the hose.
- 16.Do not pick up anything that is burning or smoking, such as cigarettes, matches, or hot ashes.
- 17.Do not use without dust bag and/or filter in place.
- 18.If the supply cord is damaged, the manufacturer or an authorized service center must replace it, in order to avoid a hazard.
- 19.This appliance is not intended for use by persons (including children) with reduced physical, sensory or Mental capabilities, or lack of experience and knowledge, unless they have been given supervision or

instructions concerning the use of the appliance by a person responsible for their safety. Children should be supervised to ensure they do not play with the appliance.

Do not vacuum or clean:

- Hair and other parts of the body. They could be sucked in and cause injury.
- Pieces of Clothing (e, g, shoe laces, scarves, etc.). They could be sucked in and cause injury.
- Water and other liquids, especially moisture from carpet cleaning agents. Moisture inside the appliance can lead to short-circuiting.
- Toner dust (from laser printers, copying-machines, etc.). There is danger of fire or explosion.
- Hot ash, burning cigarettes or matches. This could cause a fire.
- Pointed objects such as glass shards, nails, etc. Such objects destroy the filters.
- Plaster, cement, and fine drilling-dust, makeup, etc. The filters may clog causing damage to the appliance.

Never use the appliance near flammable or explosive materials -- there is danger of fire or explosion.

Never use the appliance outdoors -- there is danger of rain and dirt destroying the appliance.

Never stick objects into the appliance's openings -- it could cause the appliance to overheat.

### **Cord Connection**

The vacuum and battery charger run on electricity, that means there is always danger of electric shock, so please observe the following;

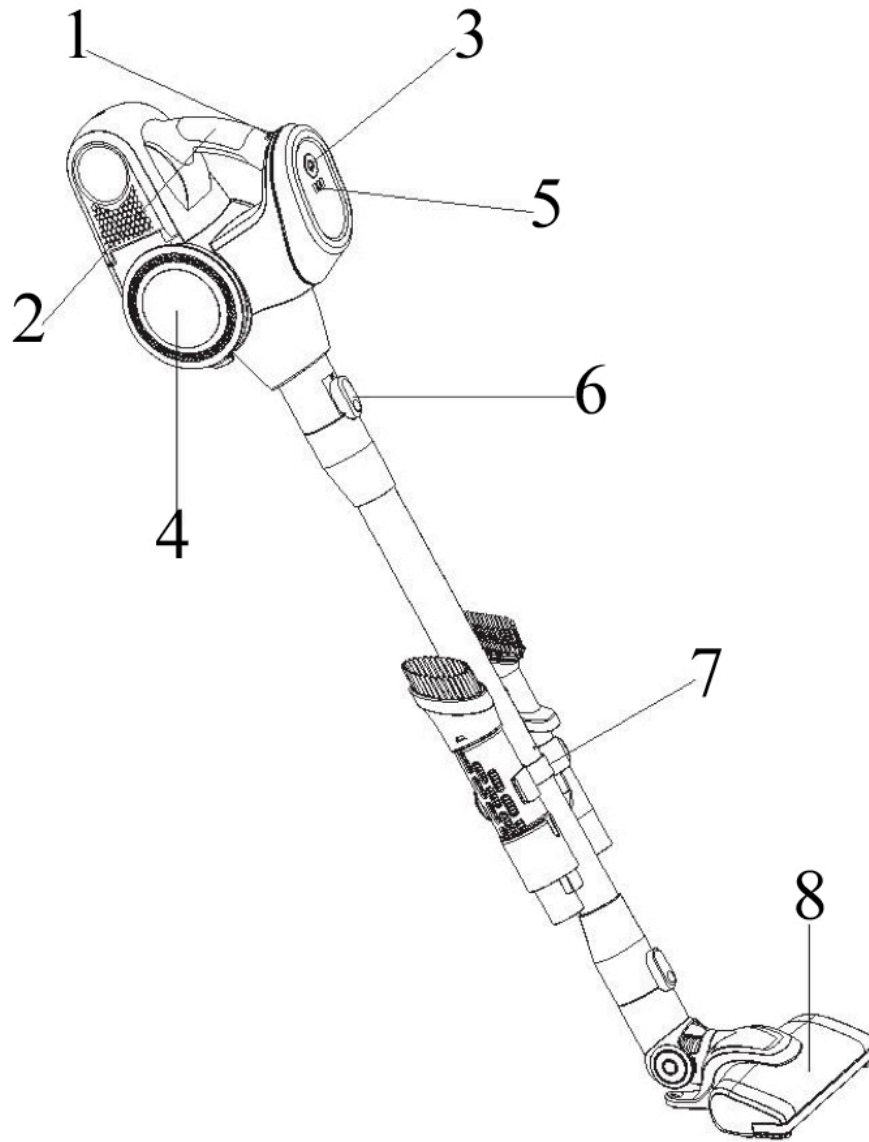
- Never touch the charging plug with wet hands.
- Always pull directly with the charging plug. If you want to disconnect the appliance from the outlet. Never pull on the charging cord, as it might break.
- Take care that the charging power cord is not bent, pinched, rolled over or gets in contact with heat sources.
- Use only extension cords suited to the power requirements of the appliance.
- Never immerse the appliance in water or other liquids.
- Only operate the appliance if your outlet voltage is the same as that indicated on the appliance's nameplate. Using the wrong voltage can destroy the appliance.
- If the power cord of this appliance is damaged it must be replaced by the manufacturers, their authorized service representative or a similarly qualified person to avoid danger to the user.

Never use a defective appliance or operate an appliance with a defective charging power cord. There is a major risk of injury.

### **Children**

Never leave the appliance unattended and use it with special precaution if children or persons who cannot judge dangers are nearby. People (including children) who are unable to safely operate the appliance on account of their physical, sensory or mental abilities or their lack of experience or knowledge should only use this appliance under supervision or instruction of a responsible person. Packing-materials are not toys. There is danger of suffocation, KEEP OUT OF REACH OF CHILDREN.

**GETTING TO KNOW YOUR BACK PACK VACUUM**



1. Battery Lid Release Button
2. Comfortable Handheld Grip
3. On/Off Button
4. HEPA Filter/Dust Chamber
5. Battery Life Indicator
6. Wand Release Button
7. Onboard Tool Caddy for Duster & Crevice Tool
8. Power Nozzle

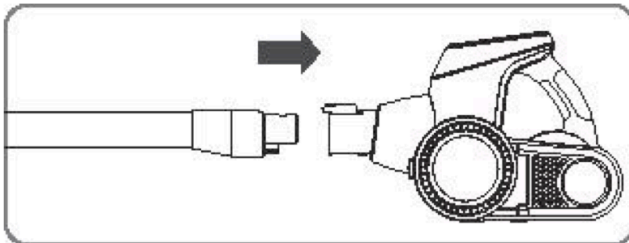
# ASSEMBLY INSTRUCTIONS

## WARNING

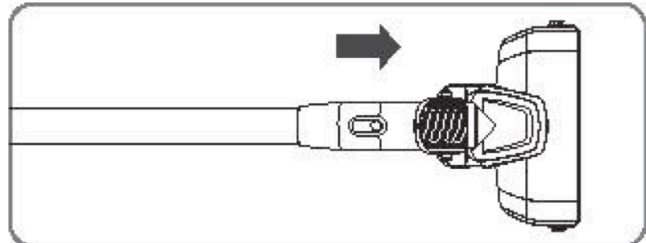
To reduce the risk of electric shock, the power cord must be disconnected or battery removed before removing the dust container, changing the filters or performing maintenance or troubleshooting checks

**NOTE:** Always remove the power plug from the wall outlet and or remove the battery before assembling or removing accessories.

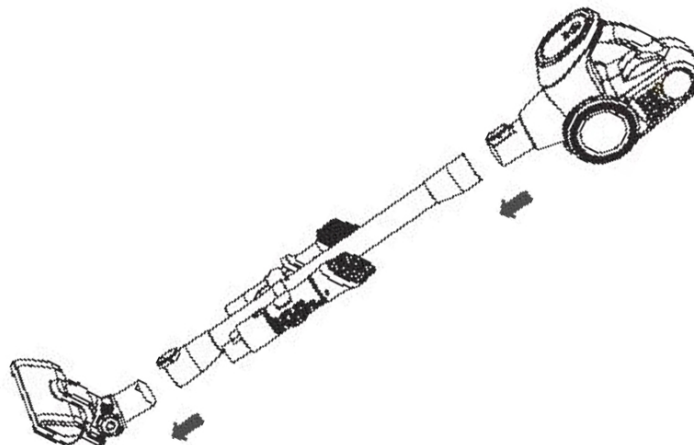
1. Insert the male end of the aluminum wand into the main handheld motor unit and press together, until you hear an audible “click”. (PIC 1)
2. Insert the power nozzle into the female end of the aluminum wand and press together until you hear an audible “click”. (PIC 2)
3. Attach the Onboard tool caddy to the aluminum wand, and secure the caddy to the wand by aligning the hole on the caddy to the hole on the wand and install the included screw to hold it into place. Then press the attachments onto the caddy.
4. Install the battery – To install the battery, you will need to open the top of the main handheld motor unit, to access the battery compartment and insert the battery. To open the battery compartment, you will press the little blue button on the back of the handle, just below the on/off button, this will release the top lid and allow access to the battery compartment (PIC 3 – PIC 4)
5. To disassemble the main handheld unit and power nozzle from the main aluminum wand, you will press the release buttons, which are located on each end of the wand, and pull the handheld unit or power nozzle away from the wand. (PIC 5 – PIC 6)

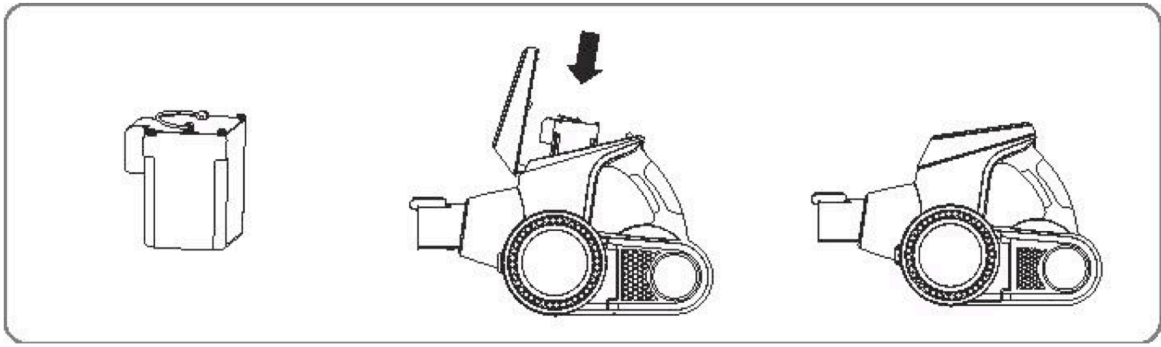


PIC 1



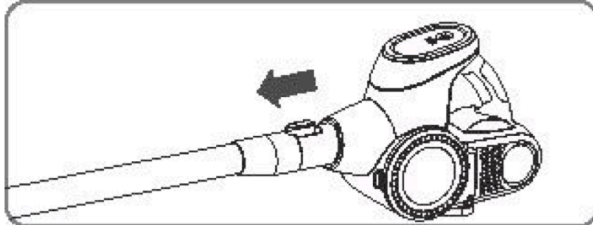
PIC 2



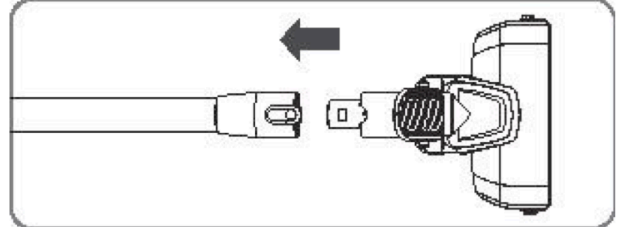


PIC 3

PIC 4

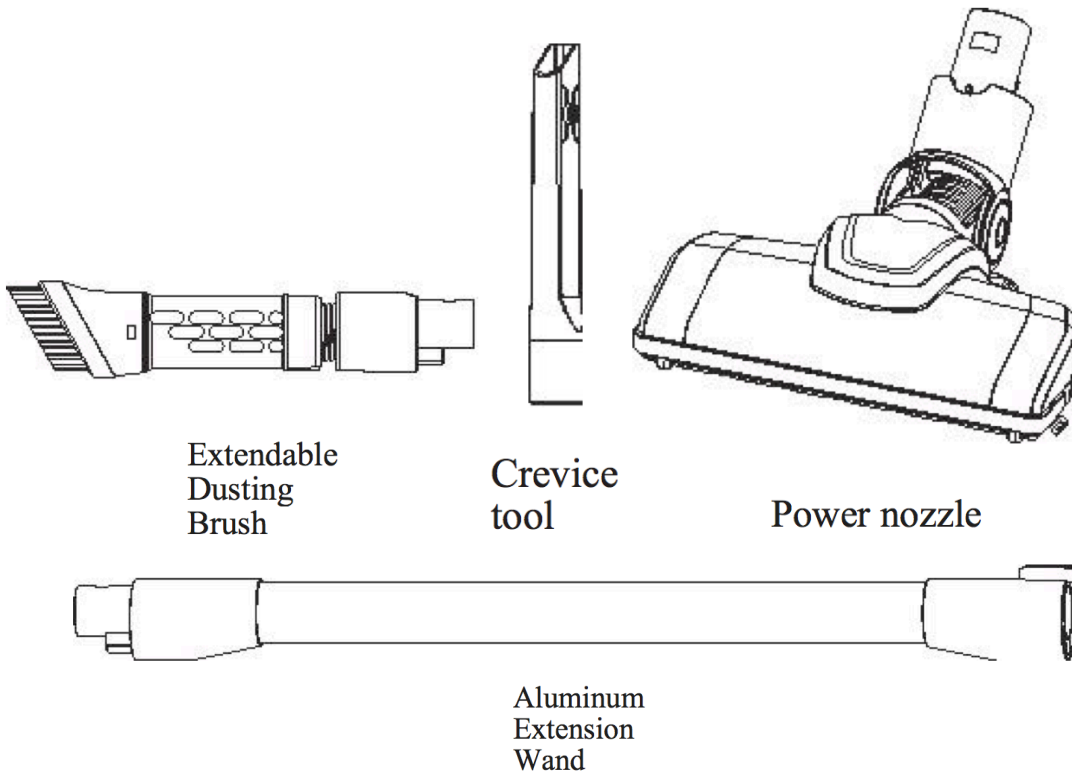


PIC 5



PIC 6

## USING THE ATTACHMENTS



Extendable  
Dusting  
Brush

Crevice  
tool

Power nozzle

Aluminum  
Extension  
Wand

### EXTENDABLE DUSTING BRUSH

The Extendable Flexible Dusting Brush can be used on all types of furniture.

### CREVICE TOOL

Use for cleaning radiators, cracks & crevices along corners, and baseboards and in-between cushions.

### POWER NOZZLE



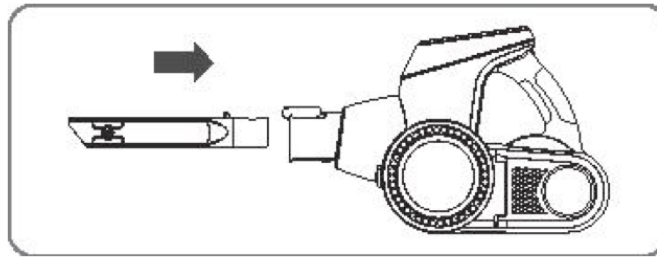
The Power Nozzle is the main attachment that is used on any type of floor surface, from Hardwood/Tile floors, to Carpet.

### **ALUMINUM EXTENSION WAND**

The Aluminum Extension Wand is used with the Power nozzle, and to extend the reach when using the Duster Brush or Crevice Tool.

#### ■ **Connecting the attachments to your Vacuum to use as a handheld**

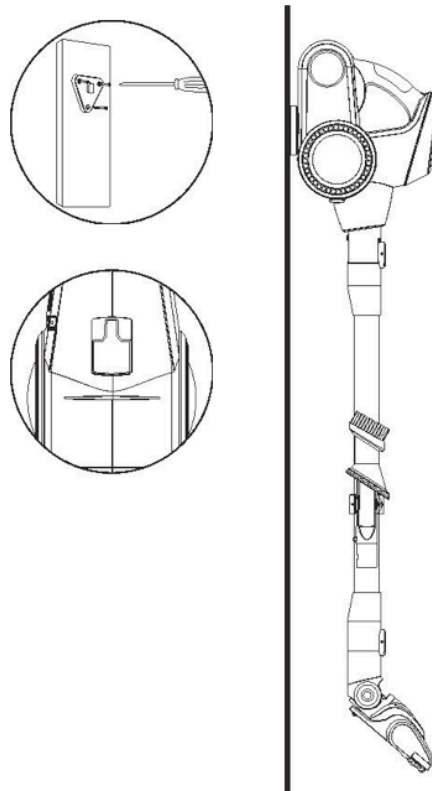
To connect the attachments to your vacuum, you will simply insert the attachment into the suction end of the vacuum or extension wand, until you hear an audible “click” (PIC 7)



PIC 7



## **WALL-MOUNTED STORAGE**

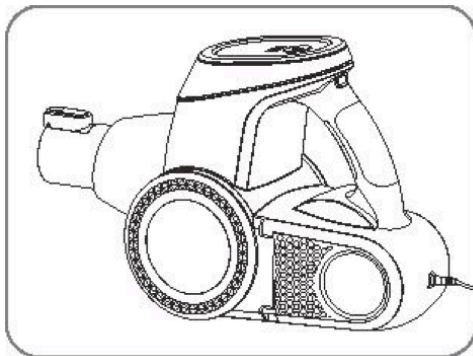
The Prolux Flight includes an easy access wall mount, to store your vacuum in the most convenient location in your home.



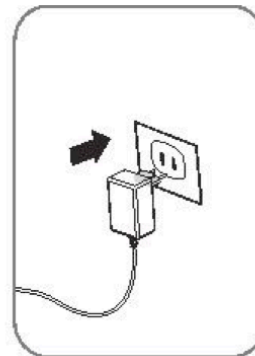
# HOW TO CHARGE THE BATTERY PACK

(Be sure to fully charge the battery pack before the first use, to ensure proper performance of your vacuum cleaner)

1. Before charging your Prolux Flight, you will want to make sure the vacuum is turned off.
2. Next you will plug the charger into your standard 120v wall outlet, then plug the small charger cord end into the back of the main handheld motor unit. (PIC 8-9)
3. The indicator light  will start to flash. When all the indicator lights are on  the battery is fully charged



PIC 8



PIC 9

When using the charger, basic precautions should always be followed, including the following:

## Battery and Charging Safety

### **⚠️ WARNING**

**To reduce the risk of electric shock, fire, battery explosion, or injury:**

1. Basic information and warning for the Battery and Charger are contained below. For detailed usage and warning information, read the HOW TO CHARGE THE BATTERY PACK carefully before using this unit.
2. DO NOT expose battery pack to temperatures above 122°F (50°C). Never leave battery packs in automobiles on hot days, where temperatures can be much higher than the outside temperature.
3. DO NOT use or store vacuum or batteries in wet or moist conditions, or with flammable or combustible materials.
4. DO NOT charge batteries or store battery for extended periods, 1 month or more, in temperatures above 90°F (32°C) or below 40°F (5°C).
5. When charging, make sure that the charger has at least 6 inches of clearance on all sides. Adequate airflow is required to cool the charger when use.
6. DO NOT use a damaged cord or plug for charging.
7. DO NOT pull on charger's cord to unplug. Grasp and pull the plug, not the cord.
8. DO NOT handle the charger's cord plug with wet hands when inserting into electrical outlet.
9. Keep sparks and flames away from batteries. Do not smoke near batteries or charger.
10. DO NOT charge the unit outdoors.
11. DO NOT attempt to repair, service, or modify the battery system or charger. Contact the service with any issues.

12. DO NOT short-circuit the battery or charger terminals with conductive items such as paper clips. This can deliver high current, resulting in heat and fire.

13. DO NOT crush, drop, incinerate or damage the battery pack. DO NOT use a battery pack that has been damaged in any way. DO NOT incinerate the battery even if it is severely damaged or non-working. The battery can explode in a fire.

## SPECIFICATIONS AND PARTS

Charger Specifications:

Charger input: 120V 50/60Hz AC only

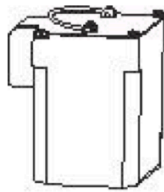
Charger output: 30V 1A

Battery Specifications:

Lithium Ion chemistry 22.2V

Approximate charge time: 4.5 hours

Approximate run time for new battery: 30 minutes.



Battery  
Pack



Charger

## OPERATION



**Charge in a well ventilated area. DO NOT block charger vents. Keep them clear to allow proper ventilation.**

### CHARGING LITHIUM ION BATTERY PACKS

Lithium Ion batteries deliver fade-free power for their entire run time. The Prolux vacuum will not gradually lose power due to decreasing battery charge. The vacuum will perform at its normal performance level until the battery has been depleted. Once this happens, recharging of the battery is required. It is not necessary to drain the battery pack completely before recharging.

If the charger's light is not lit at any point during the charging process, remove the battery pack from the charger to avoid damaging the product. DO NOT insert another battery.

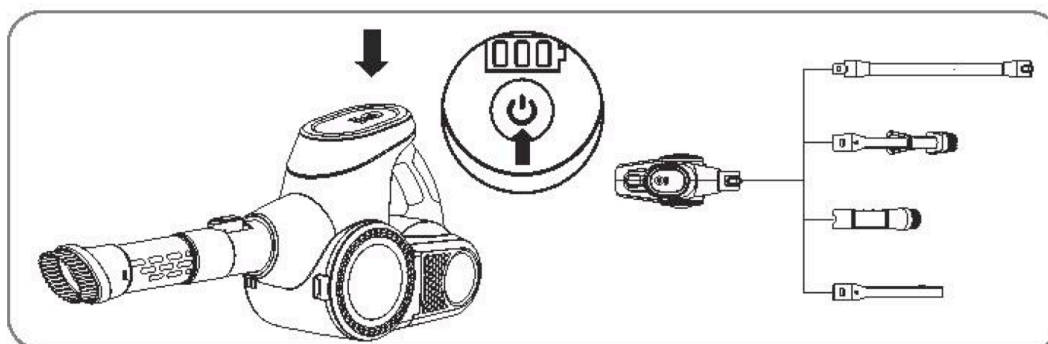
Contact the service with any issues.

#### ■ USING YOUR VACUUM

1. Make sure that the battery pack is properly installed, fully charged, and the appropriate attachment is installed.

2. Turn the vacuum on/off using the power button located on the top of the main handheld unit above the handle.

(PIC 10)



PIC 10

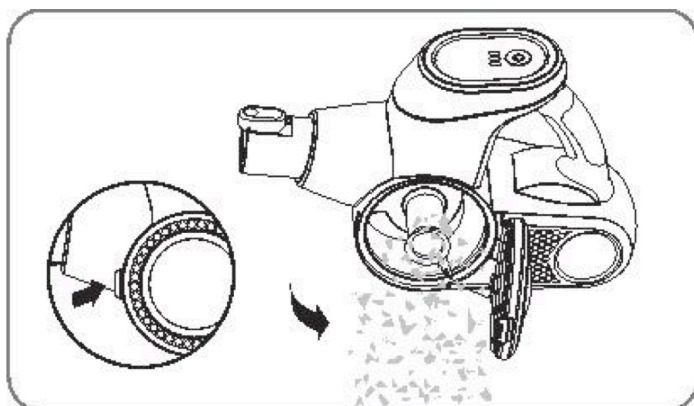
### ■ HOW TO EMPTY THE DUST CONTAINER/GENERAL MAINTAINANCE

You will want to empty the dirt in the dust container as soon as it has reached the “FULL” mark indicated on the outside of the Dust Container.

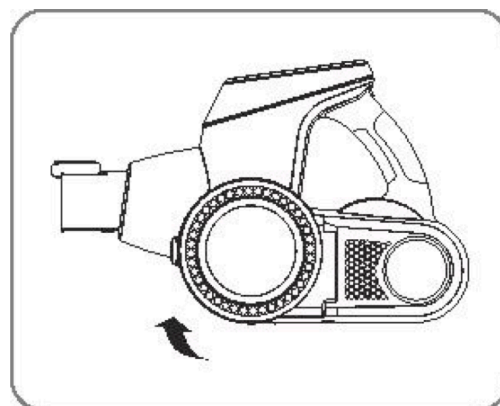
**WARNING: Do not fill the Dust Container above the “FULL” mark. This can cause the filters to clog and result in poor performance of you vacuum cleaner.**

**To empty the Dust Container, please follow the instructions below.**

1. Ensure the vacuum cleaner is in the “Off” position and disconnected from any plug or wall outlet.
2. Hold the dust container low over your trash receptacle, to avoid dust falling onto your floors.
3. Release the left side dust container door, by pressing on the release tab. (PIC 11)
4. Close the dust container door. (PIC 12)



PIC 11



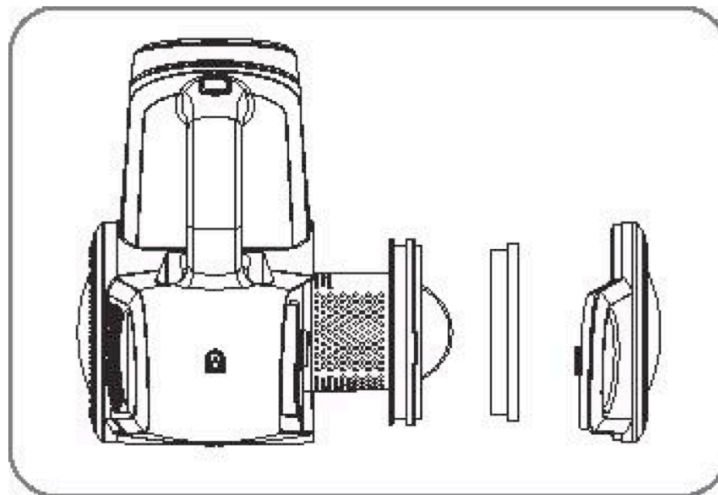
PIC 12

### ■ HOW TO CLEAN AND REPLACE THE HEPA FILTER

(When the HEPA filter is dirty and the suction power is reduced, you must clean or replace the HEPA filter.)

1. Release the “Right” side dust container door (Just as you would with the Left side door, shown in PIC 11 above).
2. Once the door is released, you simply pull the filter out of the vacuum. (PIC 13)
3. Clean the filter using warm water and a mild hand soap, thoroughly rinse the filter, then allow the filter to air dry completely. Once the filter has completely air dried, then assemble the filter back into the container. Or, if

the filter is too dirty or in an unusable condition, replace the filter with a new one.

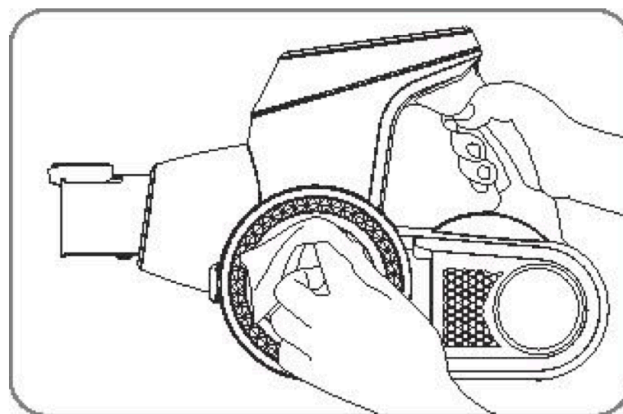


PIC 13

### **Cleaning the Housing**

**WARNING:** Always switch off the appliance and disconnect it from the outlet and or remove the battery before cleaning it.

**ATTENTION:** Do not use Alcohol, cleaning or scouring agents to clean your machine, as these may damage the appliance and its finish. Clean the outside of the housing using only a slightly damp washcloth.



PIC 14

### **Troubleshooting**

**WARNING:** Never use a defective appliance. Always switch off the appliance and disconnect it from the outlet or remove the battery before you start to troubleshoot.

Fault	Possible Cause(s)	Solution
The vacuum will not turn on.	The battery is not charged.	Make sure the battery is fully charged by plugging the battery into the charger, then plug the charger into your wall outlet and keep the battery plugged into the charger until all the battery

		indicator bars are full(see page 10)
	The vacuum is turned off.	Make sure the power button is pressed down firmly, to ensure the vacuum is being turned on.
Suction power is low.	The Dust/Dirt bin is full or clogged.	Empty/clean the Dust/Dirt bin.
	The power nozzle, and or attachment wand is clogged.	Remove the debris that is causing the clog. If necessary, use a long wooden stick (e.g. a broomstick) or coat hanger to do this.
	The Dirt/Dust container is leaking.	Ensure that both side doors/lids to the Dirt/Dust container are properly closed and free from debris, so that they close properly.
	The tool attachment being used, does not work properly on the surface you are vacuuming.	Attach the appropriate tool for the surface you are vacuuming. (see pages 8-9)
	Dirty filter(s).	Change/clean the filter(s). (See pages 12-13).
The vacuum makes unusual noises, or is louder than usual.	The power nozzle, attachment wand, suction hose, or filters are clogged.	Remove any clogs. If necessary, use a long wooden stick (e.g. a broomstick) or coat hanger to do this. Change the debris around the brushroll as well.

## **5 YEAR (5) YEAR LIMITED WARRANTY**

Prolux warranties this product's motor free from defects in material and workmanship for a period of three (5) years on the motor, and one (3) year on the body of the vacuum, free from manufacturer defects in material and workmanship from the original date of purchase, when utilized for normal household use.

- 90 days on battery & charger. **Battery and Charger Warranty Exclusions:** Leaving the vacuum in too cold or too hot of an area, charging your battery over 24 hours, dropping your battery or vacuum, getting the battery, charger, or vacuum wet.

Subject to the following conditions, exclusions, and exceptions:

**What is Not Covered by the Prolux Warranty - Warranty Exclusions. This limited warranty does not extend to and expressly excludes:**

- 1. Normal wear and tear and/or replacement attachments or accessories, including, without limitation, cords, hoses, filters, switches, chargers and other attachments to the Vacuum.**
- 2. Damage or burnout of the motor resulting from failure to clear a blockage occurring during the**

normal course of use.

3. **Loss or damage to the body of the vacuum resulting from conditions beyond the control of Prolux including without limitation, misuse, accidents, abuse, neglect, negligence from the customer, overuse beyond capacity of the vacuum, or unauthorized modification and/or alteration.**
4. **Loss or damage to the vacuum resulting from failure to follow the required maintenance schedule, or failure to use the vacuum in accordance with written instructions from Prolux, guidelines or the terms of its Owner's Manual.**
5. **Using the vacuum for commercial use.**

If your appliance fails to operate properly while in use under normal household conditions within the warranty period, please contact your authorized PROLUX dealer you purchased the unit from. Non-durable parts including, without limitation, filters, accessories, brushes, belts, and electrical parts, which normally require replacement, are specifically excluded from warranty.

This warranty is limited solely to the cost of the repair or replacement of the unit at Prolux's option. This warranty does not cover normal wear of parts and does not apply to any unit that has been tampered (by unauthorized user) with or used for commercial purposes. This limited warranty does not cover damage caused by shipping damage, misuse, abuse, negligent handling, or damage due to faulty packaging or mishandling in transit.

This warranty is extended to the original purchaser of the unit only and is not transferable. This warranty gives you specific legal rights, and you may also have other rights, which vary from state to state. **\*IMPORTANT: Before sending your unit back for warranty work, contact your authorized PROLUX retailer you bought the unit from first for instructions on how to send your unit in for warranty work. Unauthorized warranty claims will result in delayed service and may be returned.**

**For Authorized Warranty Claims: PROLUX shall be responsible for all parts and labor associated with the warranty claim and the customer shall be responsible for all shipping charges to the PROLUX service center.**

**In the event of a warranty claim, Prolux will replace any parts associated with the warranty claim, and return the unit back to working order, before sending the item back to the customer.**

Prolux is constantly striving to improve our products. Therefore, the specifications contained herein are subject to change without notice.

### **Product Warranty Registration**

Please follow the link below to register your Prolux product.

**[www.proluxcleaners.com](http://www.proluxcleaners.com)**

For more information on this product, including warranty info and to contact Prolux Customer Service, Please follow the link below:

**<http://www.proluxcleaners.com/battery-flight.html>**

## Environmental tips

Once any electronic product is no longer functional, it should be disposed of in such a way as to cause minimum environmental impact, in accordance with the regulations of your local authority. In most cases you can take such products to your local recycling station.

