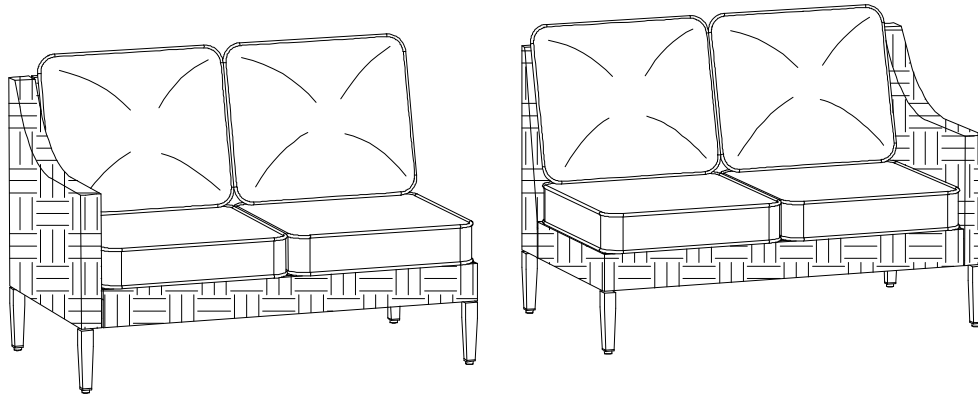


Item# 1005 893 744
Model# Left Loveseat: A204003020
Right Loveseat: A204003120

HAMPTON BAY[®]

USE AND CARE GUIDE

PRESTLEY PARK 2-PIECE OUTDOOR LOVESEATS WITH BLUE CUSHION



Questions, problems, missing parts? Before returning to the store,
call Hampton Bay Customer Service
8 a.m. - 7 p.m., EST, Monday-Friday, 9 a.m. - 6 p.m., EST, Saturday

1-800-841-1350

HAMPTONBAY.COM

THANK YOU

We appreciate the trust and confidence you have placed in Hampton Bay through the purchase of this loveseat. We strive to continually create quality products designed to enhance your home. Visit us online to see our full line of products available for your home improvement needs. Thank you for choosing Hampton Bay!

Table of Contents

Table of Contents.....	2	Hardware Included.....	3
Important Safety Instructions.....	2	Assembly.....	5
Warranty.....	2	Care and Cleaning.....	9
Pre-Assembly.....	3		
Planning Assembly.....	3		

Important Safety Instructions

SAVE THESE INSTRUCTIONS

READ ALL INSTRUCTIONS BEFORE USE

To reduce the risk of injury to persons:

1. Close supervision is necessary when this furnishing is used by or near children, or disabled persons, if applicable.
2. Use this furnishing only for its intended use as described in these instructions. Do not use attachments not recommended by the manufacturer.
3. Some parts may contain sharp edges. Wear protective gloves.
4. Please count the parts before assembly.
5. Set up your furniture properly. Ensure that all parts are assembled properly and fully tightened as per instructions. When placing in the desired location, ensure that all legs are resting on the same surface. You may adjust the leg levelers as required to ensure that the item stands in a level position.

6. Examine occasionally to ensure that there are no loose parts. If loose parts are found, they must be re-tightened fully before additional use.



DANGER: Keep children and parts away from the assembly area.



WARNING: To avoid destroying the finish, please handle the surface by using a soft cloth instead of your bare hands. Due to the nature of iron, surface oxidation (rusting) will occur if these protective coatings are scratched. We recommend immediate touch-up with rust inhibiting paint (not included).



CAUTION: Do NOT over tighten any of the bolts or nuts.

Warranty

3 YEAR WARRANTY

WHAT IS COVERED

This limited warranty is extended to the original purchaser and applies to defects in materials and workmanship of your item provided the item is maintained with care and used only for personal, residential purposes. The item is warranted to be free from defects in material or workmanship for a period of 3 years.

WHAT IS NOT COVERED

We do not reimburse for transportation of delivery costs, or compensate the individual or any outside party for assembling or disassembling the product.

Contact the Customer Service Team at 1-800-841-1350 or visit [www. Hamptonbay.com](http://www.Hamptonbay.com).

Production Number: 2021200281

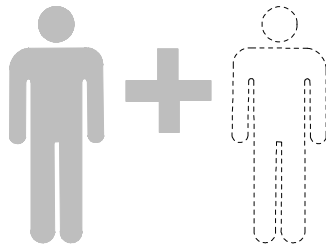
Pre-Assembly

PLANNING ASSEMBLY

Before beginning assembly of this product, make sure all parts are present. Compare parts with the Hardware Included and Package Contents lists. If any part is missing or damaged, do not attempt to assemble the product. Contact customer service for replacement parts.

IMPORTANT

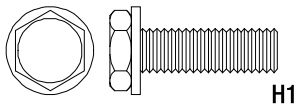
This assembly requires one to two person. Approximate assembly time: 0.5 hour.



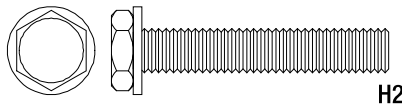
HARDWARE INCLUDED



NOTE: Hardware not shown to actual size.



H1



H2

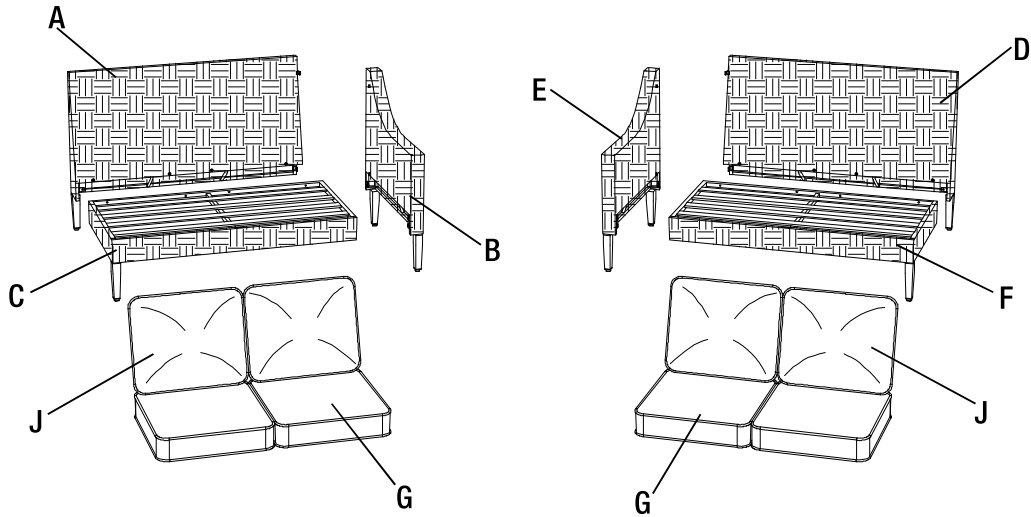


HW

Part	Part Number	Description	Quantity
H1	H100010086	Bolt M6*25 with Washer	10+1
H2	H100010046	Bolt M6*40 with Washer	10+1
HW	H090010017	Wrench M6	1

Pre-Assembly (continued)

PACKAGE CONTENTS



Part	Part Number	Description	Quantity
A	P00150011101	Left Back	1
B	P00140032201	Left Armrest	1
C	P00160024301	Left Seat	1
D	P00150011201	Right Back	1
E	P00140032301	Right Armrest	1
F	P00160024401	Right Seat	1
G	P00180018901	Seat Cushion	4
J	P00170013001	Back Cushion	4
K	P00530010400	Leveling Feet (Pre-assembled on A/B/C/D/E/F)	8

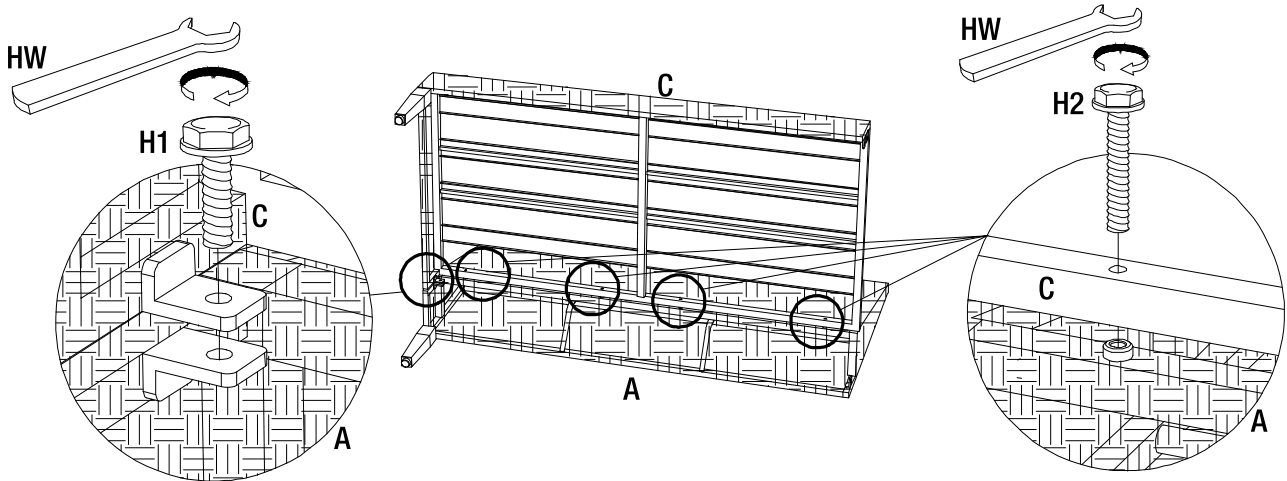
Assembly

1 Attaching the Left Back

- Connect the left back (A) and left seat (C) using 5 bolts (H1/H2), use the wrench (HW) to loosely tighten the bolts.



NOTE: To preserve the finish, place parts on a soft surface.

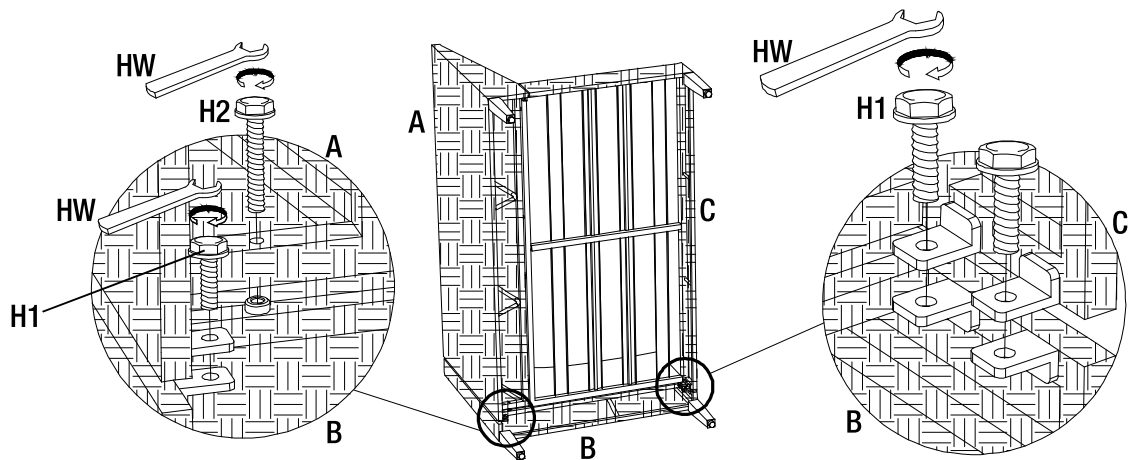


2 Attaching the Left Armrest

- Attach the left armrest (B) to the assembled left back (A) and left seat (C) using 4 bolts (H1/H2), use the wrench (HW) to loosely tighten the bolts.



NOTE: To preserve the finish, place parts on a soft surface.



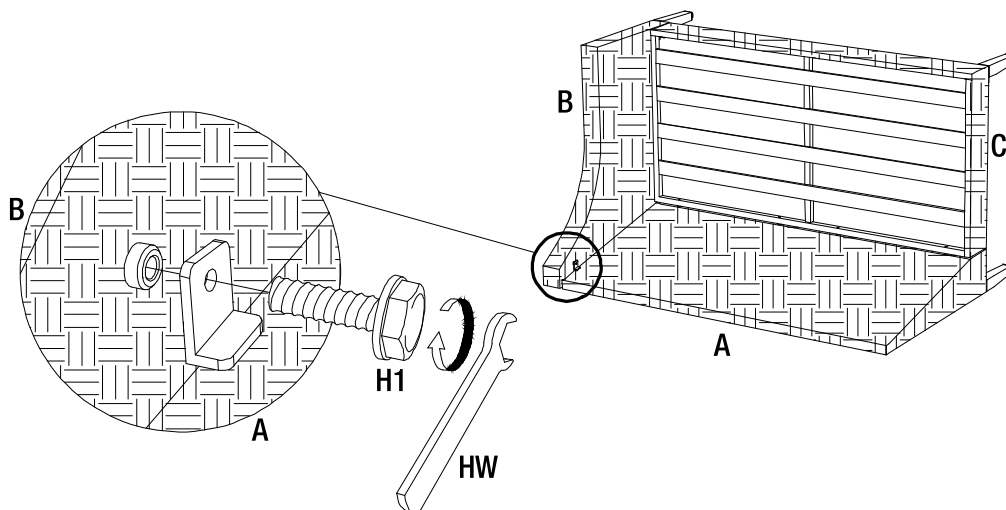
Assembly (continued)

3 Attaching the Left Back

- Connect the left back (A) and left armrest (B) using 1 bolt (H1), use the wrench (HW) to fully tighten all the bolts.

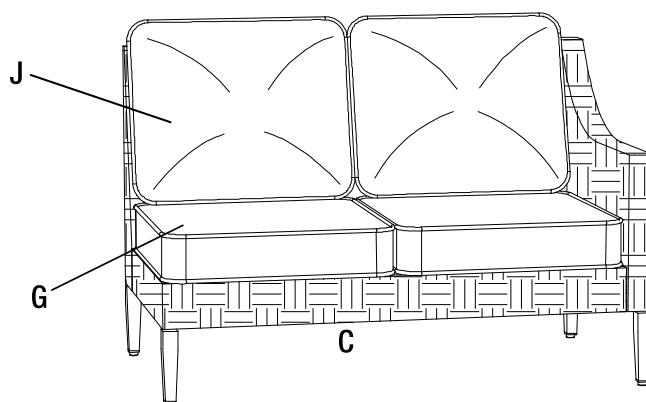


NOTE: To preserve the finish, place parts on a soft surface.



4 Placing the Cushions

- Place the seat cushions (G) and back cushions (J) on the left seat (C) to complete the assembly.



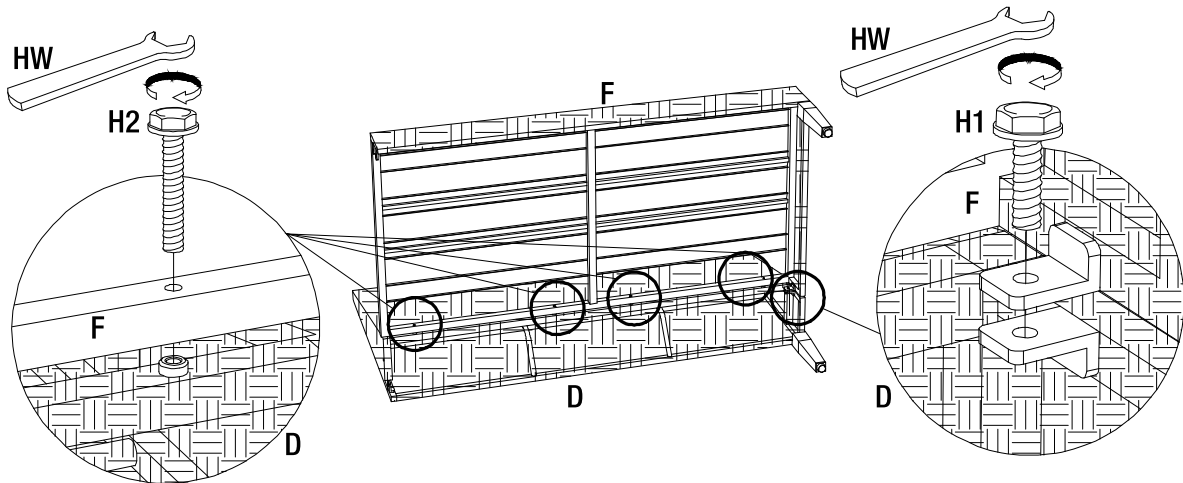
Assembly (continued)

5 Attaching the Right Back

- Connect the right back (D) and right seat (F) using 5 bolts (H1/H2), use the wrench (HW) to loosely tighten the bolts.



NOTE: To preserve the finish, place parts on a soft surface.

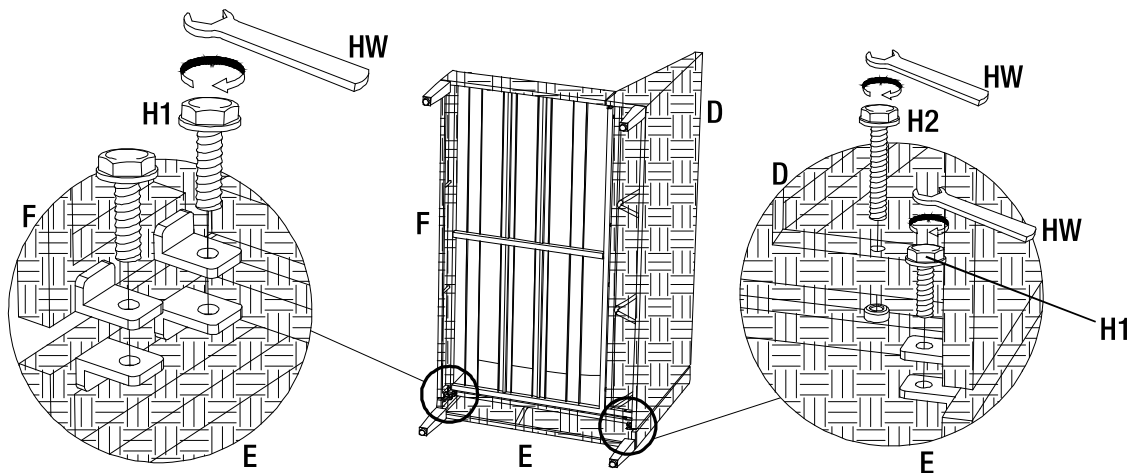


6 Attaching the Right Armrest

- Attach the right armrest (E) to the assembled right back (D) and right seat (F) using 4 bolts (H1/H2), use the wrench (HW) to loosely tighten the bolts.



NOTE: To preserve the finish, place parts on a soft surface.



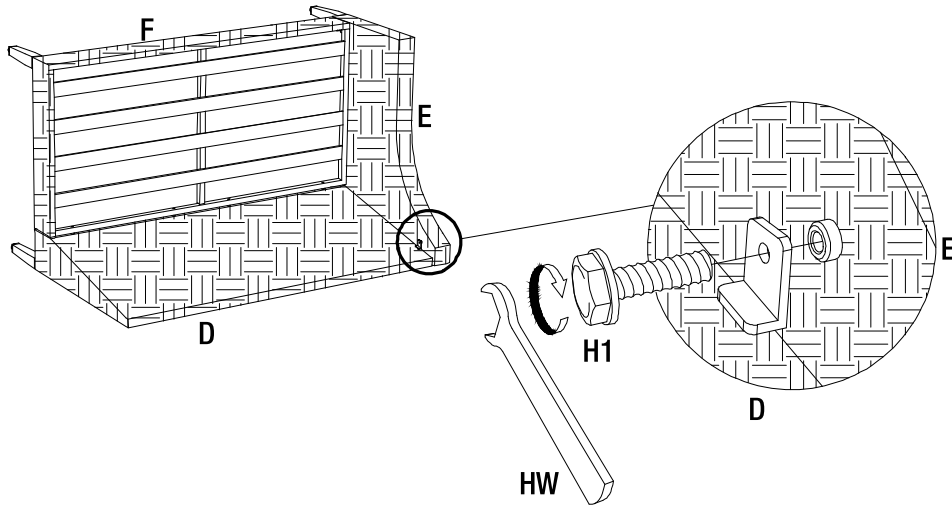
Assembly (continued)

7 Attaching the Right Back

- Connect the right back (D) and right armrest (E) using 1 bolt (H1), use the wrench (HW) to fully tighten all the bolts.

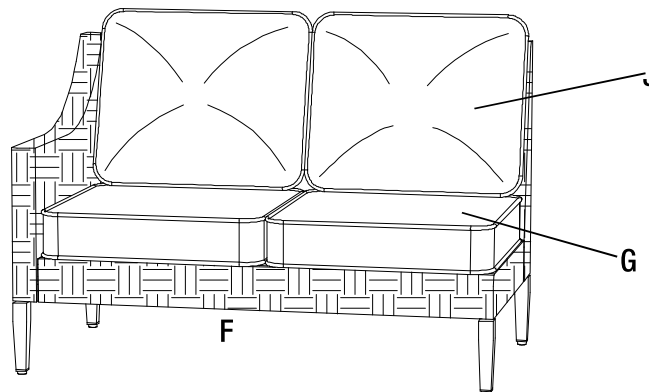


NOTE: To preserve the finish, place parts on a soft surface.



8 Placing the Cushions

- Place the seat cushions (G) and back cushions (J) on the right seat (F) to complete the assembly.



Care and Cleaning

- Before using, clean the Loveseat completely with a soft dry towel.
- Do not use harsh abrasives or cleaners.
- When not in use, store in a cool, dry area.

HAMPTON BAY[®]

Questions, problems, missing parts? Before returning to the store,
call Hampton Bay Customer Service
8 a.m. - 7 p.m., EST, Monday-Friday, 9 a.m. - 6 p.m., EST, Saturday

1-800-841-1350

HAMPTONBAY.COM

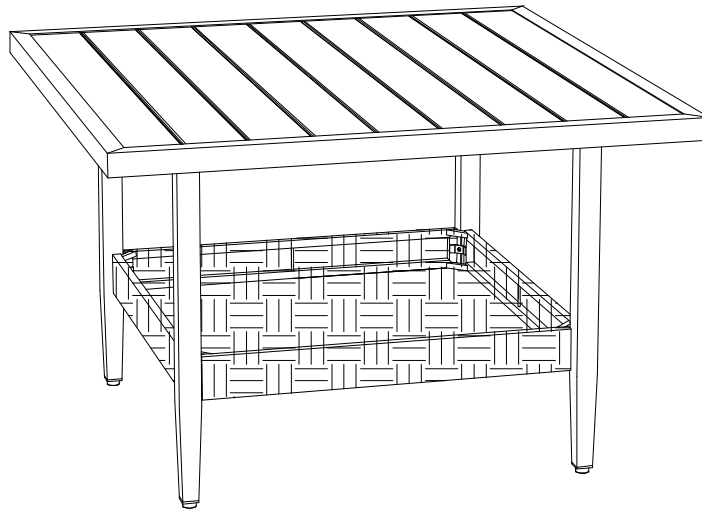
Retain this manual for future use.

Item# 1005 893 746
Model# A209000220

HAMPTON BAY®

USE AND CARE GUIDE

PRESTLEY PARK OUTDOOR COFFEE TABLE



Questions, problems, missing parts? Before returning to the store,
call Hampton Bay Customer Service
8 a.m. - 7 p.m., EST, Monday-Friday, 9 a.m. - 6 p.m., EST, Saturday

1-800-841-1350

HAMPTONBAY.COM

THANK YOU

We appreciate the trust and confidence you have placed in Hampton Bay through the purchase of this Table. We strive to continually create quality products designed to enhance your home. Visit us online to see our full line of products available for your home improvement needs. Thank you for choosing Hampton Bay!

Table of Contents

Table of Contents.....	2	Hardware Included.....	3
Important Safety Instructions.....	2	Assembly.....	5
Warranty.....	2	Care and Cleaning.....	7
Pre-Assembly.....	3		
Planning Assembly.....	3		

Important Safety Instructions

SAVE THESE INSTRUCTIONS

READ ALL INSTRUCTIONS BEFORE USE

To reduce the risk of injury to persons:

1. Close supervision is necessary when this furnishing is used by or near children, or disabled persons, if applicable.
2. Use this furnishing only for its intended use as described in these instructions. Do not use attachments not recommended by the manufacturer.
3. Some parts may contain sharp edges. Wear protective gloves.
4. Please count the parts before assembly.
5. Set up your furniture properly. Ensure that all parts are assembled properly and fully tightened as per instructions. When placing in the desired location, ensure that all legs are resting on the same surface. You may adjust the leg levelers as required to ensure that the item stands in a level position.

6. Examine occasionally to ensure that there are no loose parts. If loose parts are found, they must be re-tightened fully before additional use.



DANGER: Keep children and parts away from the assembly area.



WARNING: To avoid destroying the finish, please handle the surface by using a soft cloth instead of your bare hands. Due to the nature of iron, surface oxidation (rusting) will occur if these protective coatings are scratched. We recommend immediate touch-up with rust inhibiting paint (not included).



CAUTION: Do NOT over tighten any of the bolts or nuts.

Warranty

3 YEAR WARRANTY

WHAT IS COVERED

This limited warranty is extended to the original purchaser and applies to defects in materials and workmanship of your item provided the item is maintained with care and used only for personal, residential purposes. The item is warranted to be free from defects in material or workmanship for a period of 3 years.

WHAT IS NOT COVERED

We do not reimburse for transportation of delivery costs, or compensate the individual or any outside party for assembling or disassembling the product.

Contact the Customer Service Team at 1-800-841-1350 or visit [www. Hamptonbay.com](http://www.Hamptonbay.com).

Production Number: 2021200281

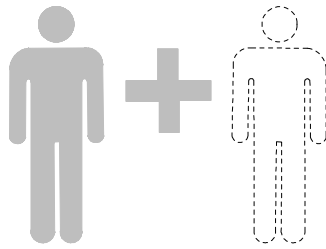
Pre-Assembly

PLANNING ASSEMBLY

Before beginning assembly of this product, make sure all parts are present. Compare parts with the Hardware Included and Package Contents lists. If any part is missing or damaged, do not attempt to assemble the product. Contact customer service for replacement parts.

IMPORTANT

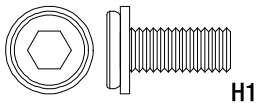
This assembly requires one to two person. Approximate assembly time: 15~20 minutes.



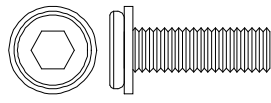
HARDWARE INCLUDED



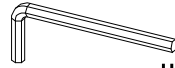
NOTE: Hardware not shown to actual size.



H1



H2

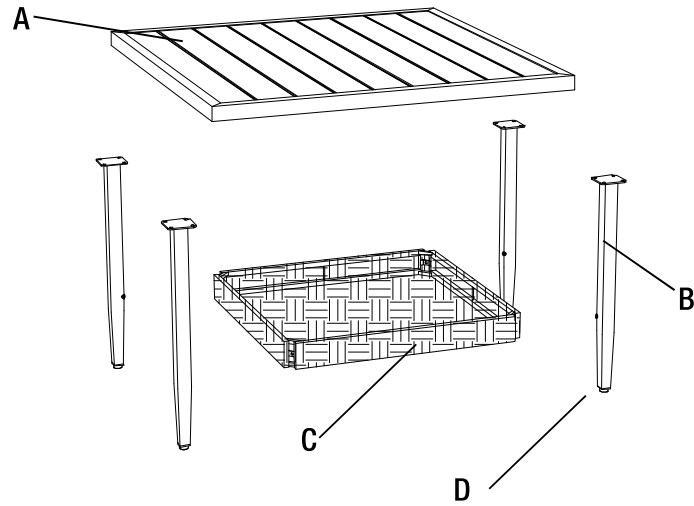


HW

Part	Part Number	Description	Quantity
H1	H100010090	Bolt M6*15 with washer	16+2
H2	H100010050	Bolt M6*20 with washer	4+1
HW	H090030002	Wrench M6	1

Pre-Assembly (continued)

PACKAGE CONTENTS



Part	Part Number	Description	Quantity
A	P00210046101	Table Top	1
B	P00540058301	Leg	4
C	P00220033201	Fixed Frame	1
D	P00530010400	Leveling Feet (Pre-assembled on B)	4

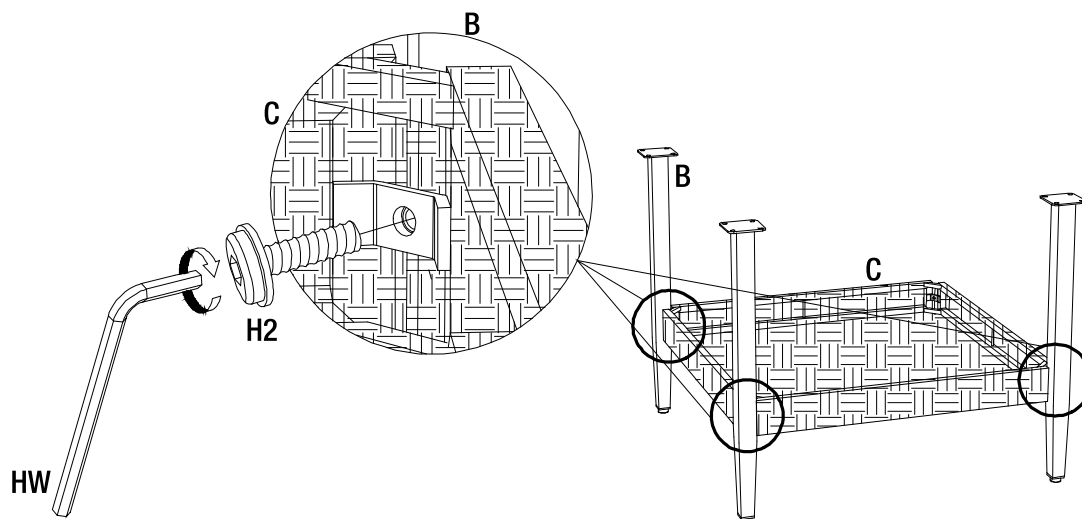
Assembly

1 Attaching the Fixed Frame and Legs

- Attach the three legs (B) to the fixed frame (C) using 3 bolts (H2), use the wrench (HW) to loosely tighten the bolts.



NOTE: To preserve the finish, place parts on a soft surface.

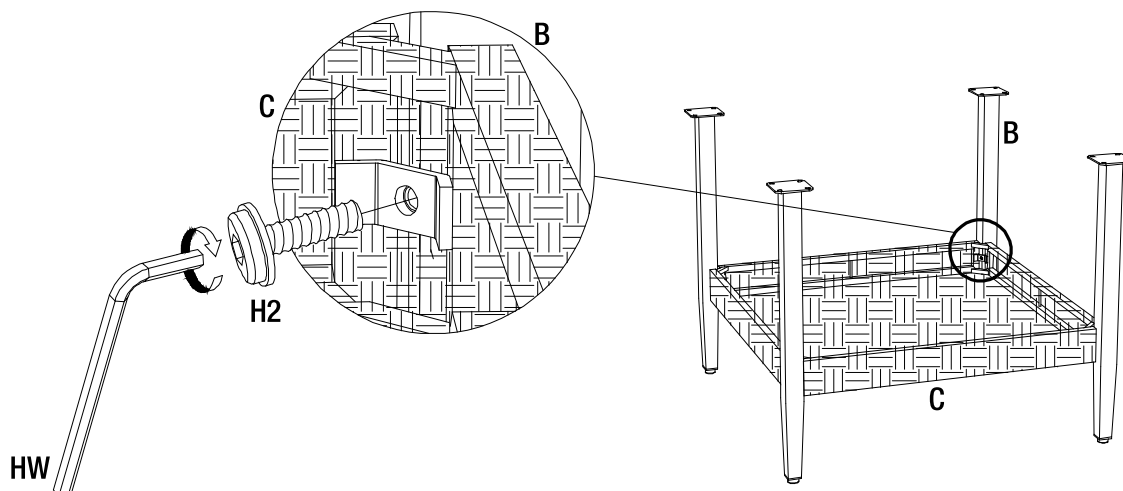


2 Attaching the Leg

- Attach the leg (B) to the fixed frame (C) using 1 bolt (H2), use the wrench (HW) to loosely tighten the bolt.



NOTE: To preserve the finish, place parts on a soft surface.



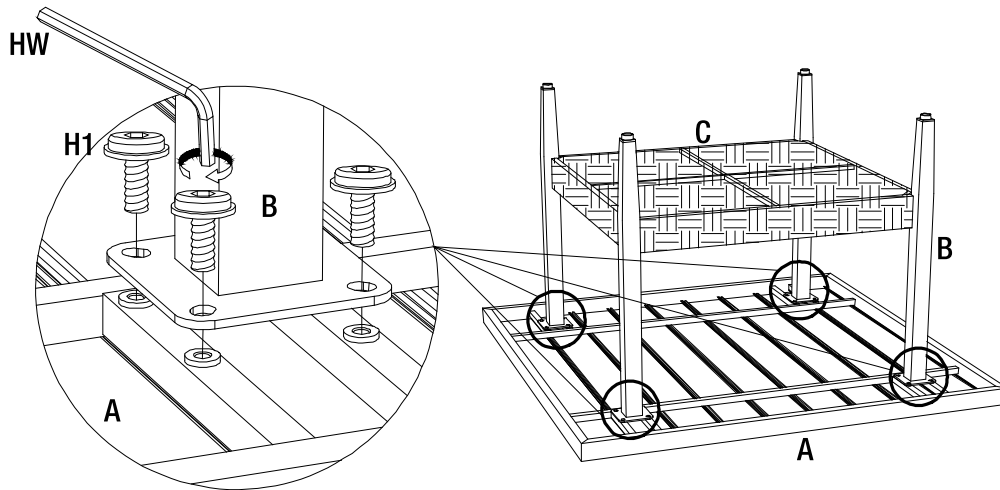
Assembly (continued)

3 Attaching the Table Top

- Attach the table top (A) to the assembled legs (B) using 16 bolts (H1), use the wrench (HW) to fully tighten the bolts.



NOTE: To preserve the finish, place parts on a soft surface.



Care and Cleaning

- Before using, clean the Table completely with a soft dry towel.
- Do not use harsh abrasives or cleaners.
- When not in use, store in a cool, dry area.

HAMPTON BAY[®]

Questions, problems, missing parts? Before returning to the store,
call Hampton Bay Customer Service
8 a.m. - 7 p.m., EST, Monday-Friday, 9 a.m. - 6 p.m., EST, Saturday

1-800-841-1350

HAMPTONBAY.COM

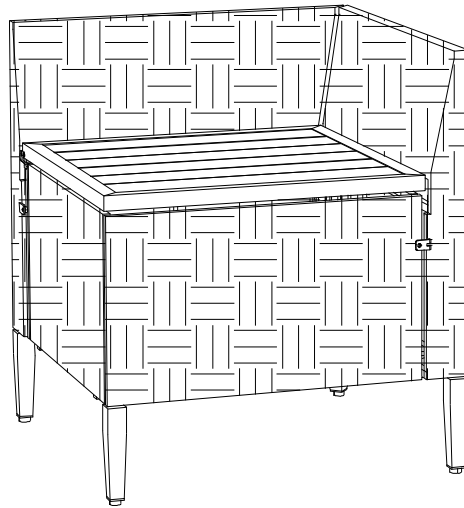
Retain this manual for future use.

Item# 1005 893 742
Model# A210026000

HAMPTON BAY®

USE AND CARE GUIDE

PRESTLEY PARK OUTDOOR SIDE TABLE WITH STORAGE



Questions, problems, missing parts? Before returning to the store,
call Hampton Bay Customer Service
8 a.m. - 7 p.m., EST, Monday-Friday, 9 a.m. - 6 p.m., EST, Saturday

1-800-841-1350

HAMPTONBAY.COM

THANK YOU

We appreciate the trust and confidence you have placed in Hampton Bay through the purchase of this Side Table. We strive to continually create quality products designed to enhance your home. Visit us online to see our full line of products available for your home improvement needs. Thank you for choosing Hampton Bay!

Table of Contents

Table of Contents.....2
Important Safety Instructions2
Warranty.....2
Pre-Assembly3
 Planning Assembly.....3

Hardware Included.....3
Assembly 5
Care and Cleaning 9

Important Safety Instructions

SAVE THESE INSTRUCTIONS

READ ALL INSTRUCTIONS BEFORE USE

To reduce the risk of injury to persons:

1. Close supervision is necessary when this furnishing is used by or near children, or disabled persons, if applicable.
2. Use this furnishing only for its intended use as described in these instructions. Do not use attachments not recommended by the manufacturer.
3. Some parts may contain sharp edges. Wear protective gloves.
4. Please count the parts before assembly.
5. Set up your furniture properly. Ensure that all parts are assembled properly and fully tightened as per instructions. When placing in the desired location, ensure that all legs are resting on the same surface. You may adjust the leg levelers as required to ensure that the item stands in a level position.

6. Examine occasionally to ensure that there are no loose parts. If loose parts are found, they must be re-tightened fully before additional use.



WARNING: This product is not intended for a toy chest. Do not allow children play inside the chest.



DANGER: Keep children and parts away from the assembly area.



WARNING: To avoid destroying the finish, please handle the surface by using a soft cloth instead of your bare hands. Due to the nature of iron, surface oxidation (rusting) will occur if these protective coatings are scratched. We recommend immediate touch-up with rust inhibiting paint (not included).



CAUTION: Do NOT over tighten any of the bolts or nuts.

Warranty

3 YEAR WARRANTY

WHAT IS COVERED

This limited warranty is extended to the original purchaser and applies to defects in materials and workmanship of your item provided the item is maintained with care and used only for personal, residential purposes. The item is warranted to be free from defects in material or workmanship for a period of 3 years.

WHAT IS NOT COVERED

We do not reimburse for transportation of delivery costs, or compensate the individual or any outside party for assembling or disassembling the product.

Contact the Customer Service Team at 1-800-841-1350 or visit www.Hamptonbay.com.

Production Number: 2021200281

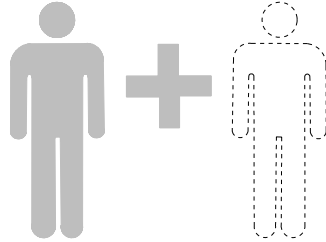
Pre-Assembly

PLANNING ASSEMBLY

Before beginning assembly of this product, make sure all parts are present. Compare parts with the Hardware Included and Package Contents lists. If any part is missing or damaged, do not attempt to assemble the product. Contact customer service for replacement parts.

IMPORTANT

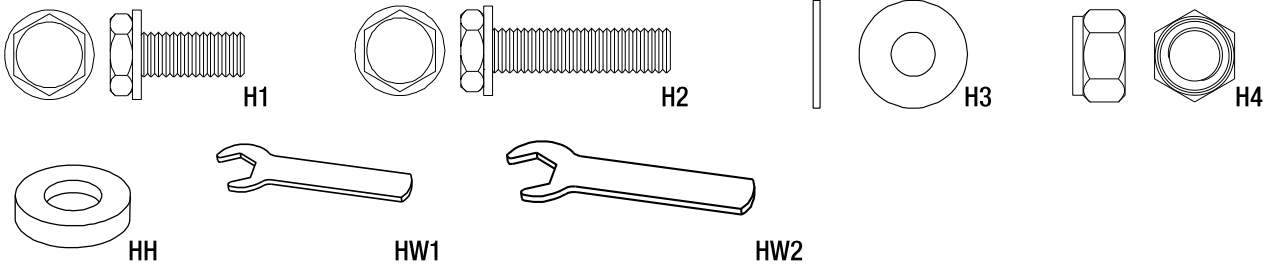
This assembly requires one to two person. Approximate assembly time: 0.5 hour.



HARDWARE INCLUDED



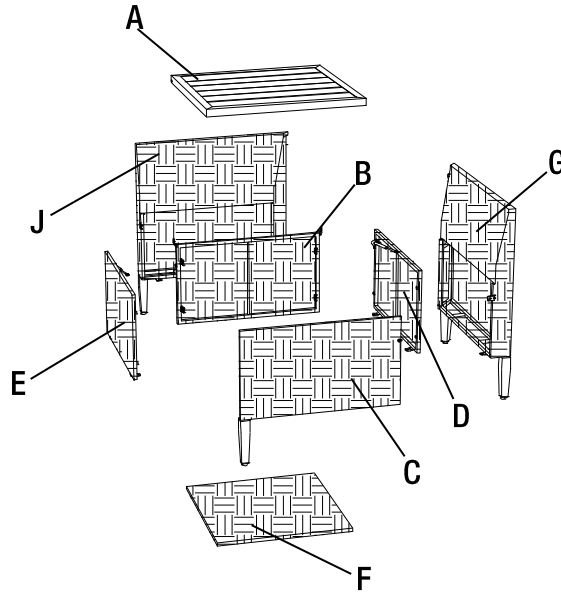
NOTE: Hardware not shown to actual size.



Part	Part Number	Description	Quantity
H1	H100010068	Bolt M6*15 with Washer	21+3
H2	H100010100	Bolt M8*20 with Washer	2+1
H3	H050010051	Flat Washer M8	2+1
H4	H040070003	Nut M8	2+1
HH	H050050019	Plastic Washer M6	2+1
HW1	H090010017	Wrench M6	1
HW2	H090010012	Wrench M8	2

Pre-Assembly (continued)

PACKAGE CONTENTS



Part	Part Number	Description	Quantity
A	P00210046301	Table Top	1
B	P00400032901	Back Panel	1
C	P00390013401	Front Panel	1
D	P00380056901	Left Side Panel	1
E	P00380057901	Right Side Panel	1
F	P00430010201	Bottom Board	1
G	P00540058501	Left Corner Panel	1
J	P00540058601	Right Corner Panel	1
K	P00530010400	Leveling Feet (Pre-assembled on C/G/J)	4

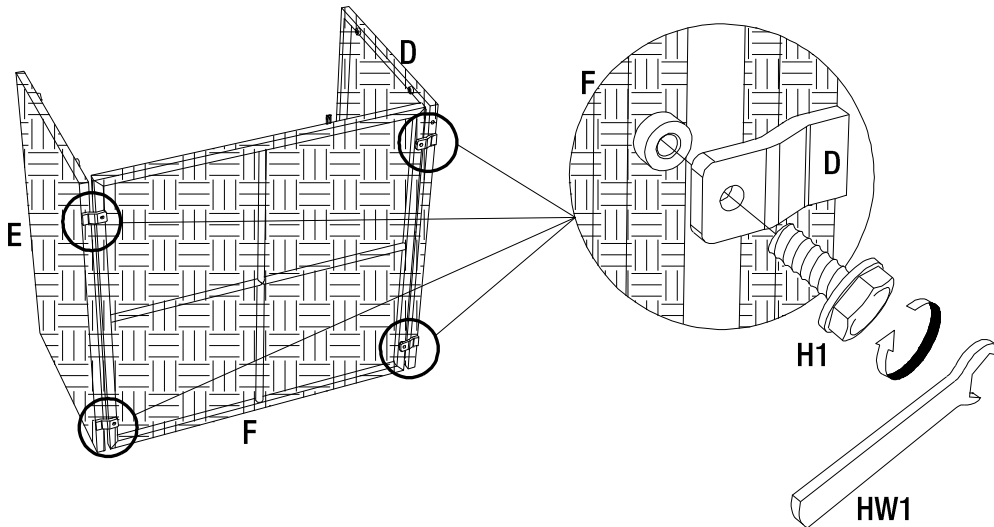
Assembly

1 Attaching the Side Panels and Bottom Board

- Attach the side panels (D/E) to the bottom board (F) using 4 bolts (H1), use the wrench (HW1) to loosely tighten the bolts.



NOTE: To preserve the finish, place parts on a soft surface.

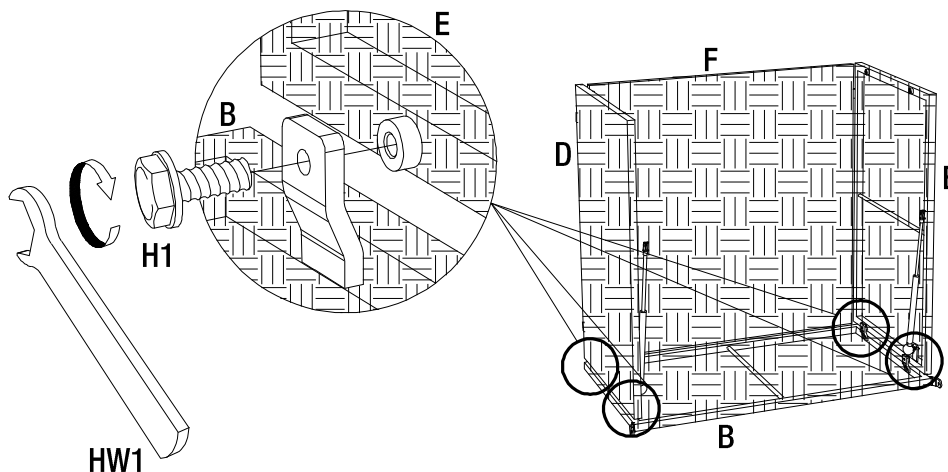


2 Attaching the Back Panel

- Attach the back panel (B) to the assembled side panels (D/E) using 4 bolts (H1), use the wrench (HW1) to loosely tighten the bolts.



NOTE: To preserve the finish, place parts on a soft surface.



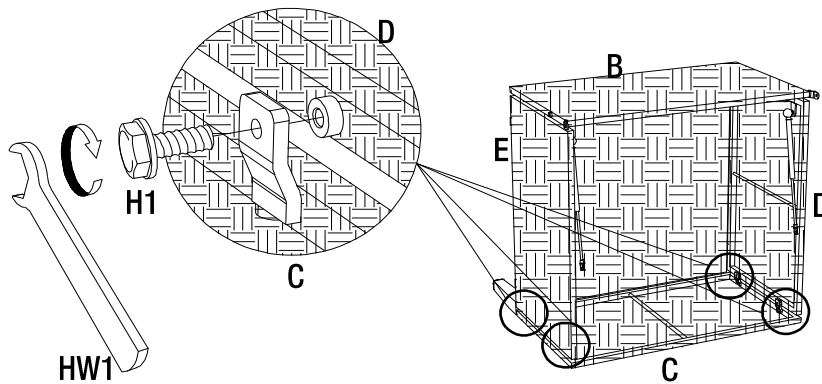
Assembly (continued)

3 Attaching the Front Panel

- Attach the front panel (C) to the assembled side panels (D/E) using 4 bolts (H1), use the wrench (HW1) to loosely tighten the bolts.



NOTE: To preserve the finish, place parts on a soft surface.

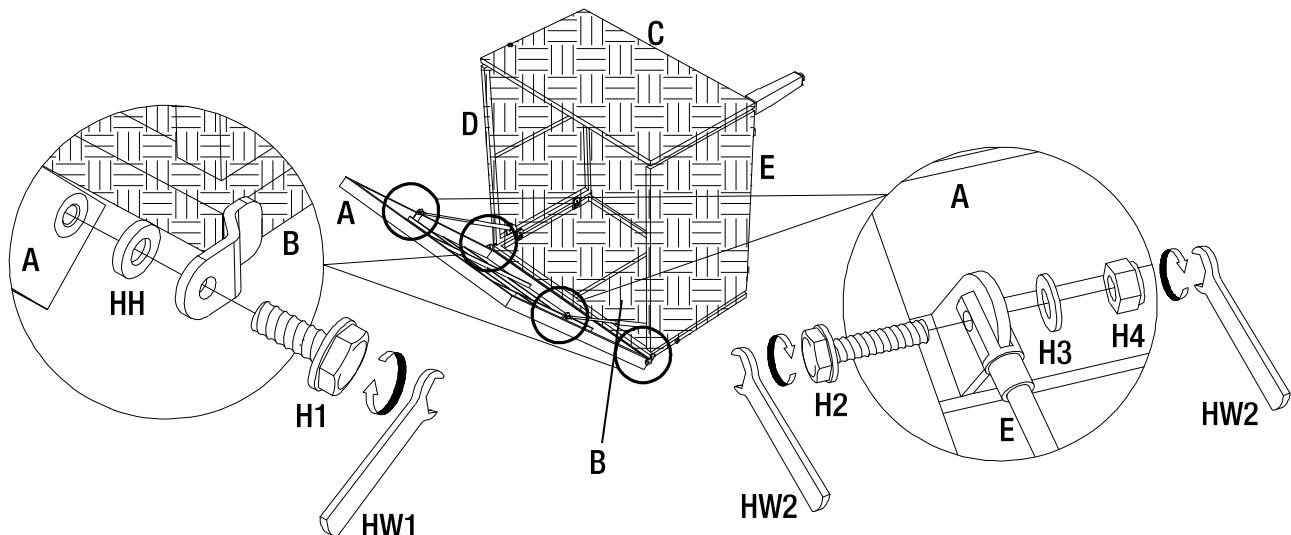


4 Attaching the Table Top

- Connect the table top (A) with the assembled back panels (B) using 2 bolts (H1) and plastic washer (HH). use the wrench (HW1) to loosely tighten the bolts.
- Connect the pneumatic rod which is pre-assembled on the side panels (D/E) to the table top (A) using bolts (H2), flat washer (H3) and nut (H4), use the wrench (HW1/HW2) to loosely tighten the bolts.



NOTE: To preserve the finish, place parts on a soft surface.



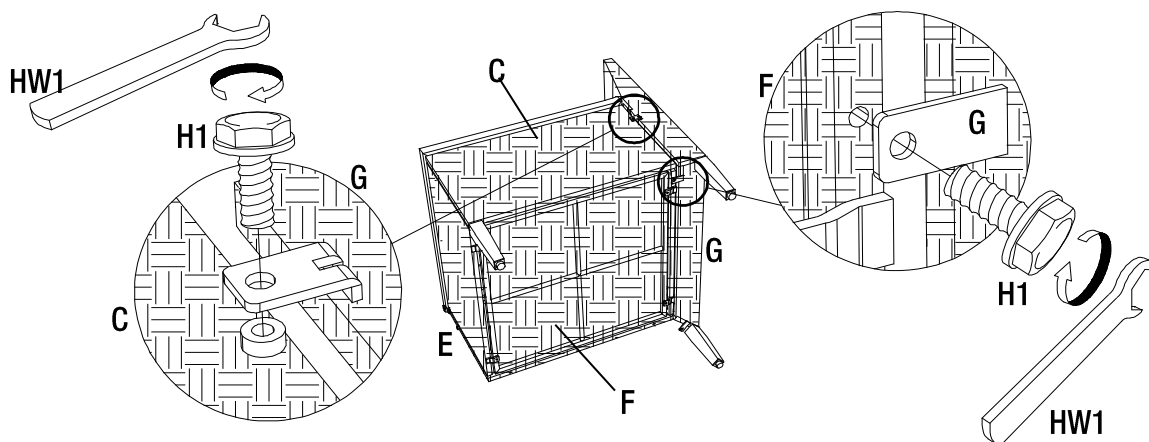
Assembly (continued)

5 Attaching the Left Corner Panel

- Attach the left corner panel (G) to the assembled left front panel (C) and bottom board (F) using 2 bolts (H1), use the wrench (HW1) to loosely tighten the bolts.



NOTE: To preserve the finish, place parts on a soft surface.

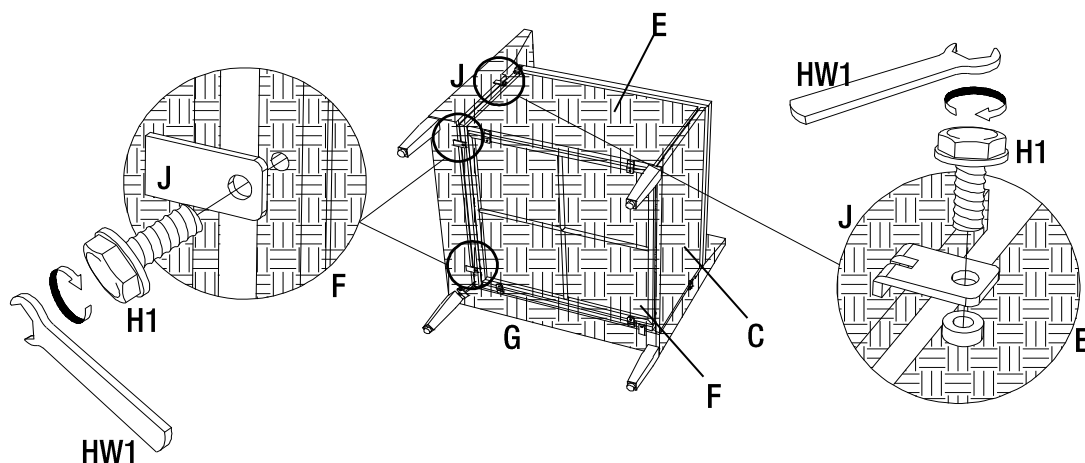


6 Attaching the Right Corner Panel

- Attach the right corner panel (J) to the assembled right side panel (E) and bottom board (F) using 3 bolts (H1), use the wrench (HW1) to loosely tighten the bolts.



NOTE: To preserve the finish, place parts on a soft surface.



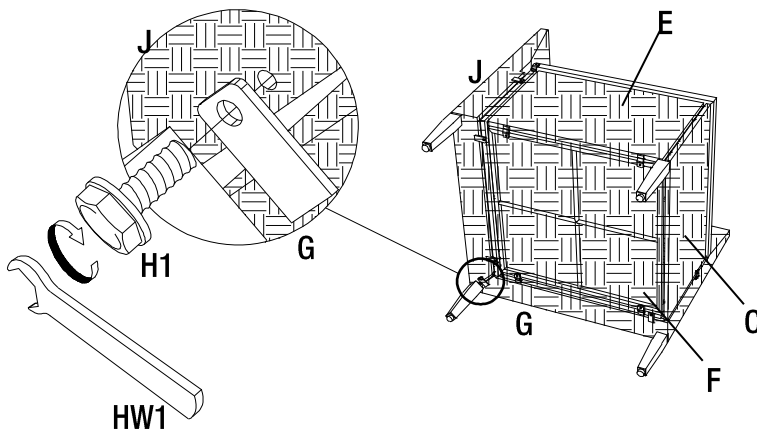
Assembly (continued)

7 Connecting the Left Corner Panel and Right Corner Panel

- Connect the right corner panel (J) and left corner panel (G) using 1 bolt (H1), use the wrench (HW1) to loosely tighten the bolt.



NOTE: To preserve the finish, place parts on a soft surface.

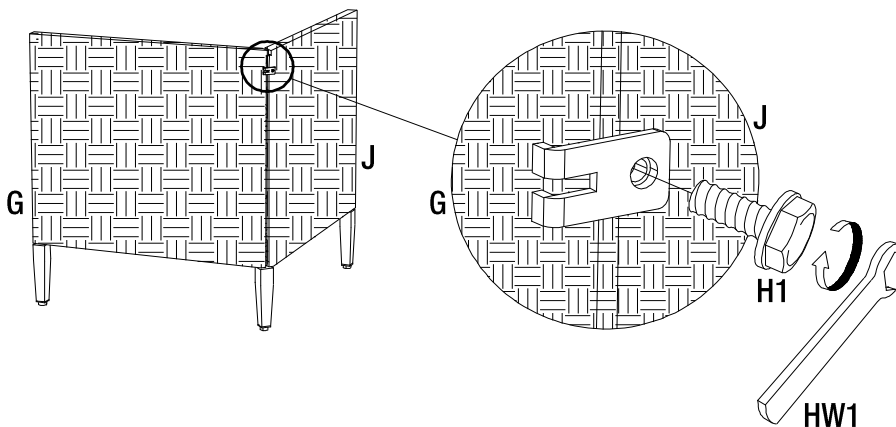


8 Attaching the Left Corner Panel and Right Corner Panel

- Lock the right corner panel (J) and left corner panel (G) using 1 bolt (H1), use the wrench (HW1) to fully tighten all the bolt.



NOTE: To preserve the finish, place parts on a soft surface.



Care and Cleaning

- Before using, clean the Table completely with a soft dry towel.
- Do not use harsh abrasives or cleaners.
- When not in use, store in a cool, dry area.

HAMPTON BAY[®]

Questions, problems, missing parts? Before returning to the store,
call Hampton Bay Customer Service
8 a.m. - 7 p.m., EST, Monday-Friday, 9 a.m. - 6 p.m., EST, Saturday

1-800-841-1350

HAMPTONBAY.COM

Retain this manual for future use.