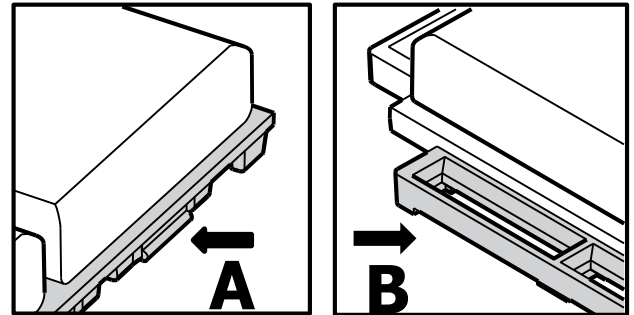


DECK TILES ASSEMBLY INSTRUCTION

IMPORTANT NOTE: Before assembling these deck tiles, please make sure **the underneath surface is LEVEL and CLEAN** of dirt and grime. Clear away rocks and weeds. These wood tiles are **most easily installed over hard, flat surfaces** like concrete or decking.

1

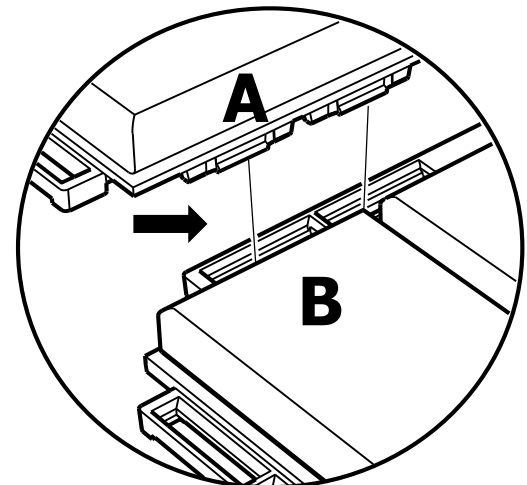
Step 1: Find **A Tile** and **B Tile** with sides as described in the picture.



2

Step 2: Place B tile under the floor, align the sides of these tiles together, then tilt A tile at an angle of **30 degrees** with one hand.

*Remember to always hold the tile at 30 degrees angle during snapping.

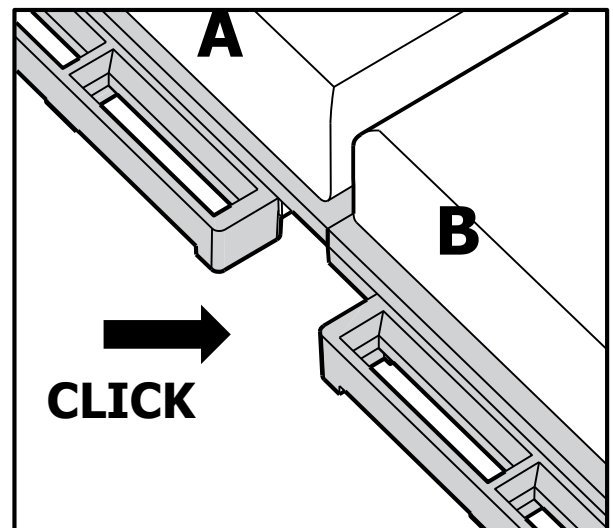


3

Step 3: Use the other hand or a rubber hammer to **firmly press** A tile down to connect correctly to the holes of B tile.

*When you hear a “clicking sound”, the tiles are snapped.

*When finished, you can easily trim the outer edges with scissors or a saw for a clean look.



CLEANING & MAINTENANCE

Our Wood Deck Tiles are pre-treated with water-based wood stain to make the surface durable enough for outdoor usage. However, wood is a natural material that will age and requires gradual clean and maintenance. The best way to extend the life of your Deck Tile is by cleaning it regularly, not leaving it outdoors unprotected more than necessary and re-staining it on a regular basis.

HOW TO CLEAN

It's easy to clean these wood deck tiles. Simply use mild soap and water to clean the area. You can scrub the deck with a mop which has a sponge head to avoid scratching the tiles. Rinse with a garden hose after mopping.

Leaves or other debris falling between the gaps in the tiles can normally be removed with a vacuum cleaner. Tiles can be disassembled to clean underneath if necessary.

HOW TO MAINTAIN

You can easily refresh your Decking Tile and make it more durable by re-staining it on a regular basis, for example once a year. You may need to re-stain Decking Tile more frequently, depending on the climate you live in and the Decking Tile's degree of exposure to sun and rain. Re-staining prevents the surface from drying out and cracking, as well as avoids moisture penetrating into the wood.

HOW TO RE-STAIN

Choose a place in the shade for cleaning, re-staining and leaving the Decking Tile to dry. Avoid direct sunlight. Simply follow these steps to re-stain your Decking Tile:

1. Give the surface a thorough clean with mild soap and brush. Then wipe it dry or let it air dry for at least 24 hours. If wood fiber rises after cleaning, sand the surface with fine grade sandpaper. Be sure to sand it in the direction of the grain.
2. Give the chosen deck stain a good stir and apply a thin, even coat of stain to the surface using a brush, a roller or paint pads. Apply on the entire surface at once and in the direction of the grain. Put some extra stains over any splits or cracks to help fill them in.
3. Only apply as much as the wood can easily absorb. Leave the surface to dry and apply further coats if needed.

HOW TO STORE

Disassemble and store your Decking Tile during snowy season. Before storing, clean and let it dry thoroughly. If possible, store your Decking Tile in a cool and dry place indoors. If stored outside, put them under a roof if possible and cover it with a protective cover. Allow air to ventilate, to avoid moisture and mold.

THANK YOU FOR CHOOSING US!

Our goal is to provide high quality outdoor furniture with outstanding customer service - all at an affordable price.

If you have any problems, please contact us via purchased website.

As a valued customer, your satisfaction is our #1 priority!